



## Microwave Oven

User Manual



MOC 20100 WFB - MOC 20100 BFB - MOC 20100 SFB

EN - FR - DE - ES - HR - CS - IT - PL - RO - PT - NL - SK - LT - ET - BG - SL -  
SR - MK - SQ - BS



01M-8912513200-2422-04  
01M-8912523200-2422-04  
01M-8912533200-2422-04

# CONTENTS

<b>ENGLISH</b>	<b>3-15</b>
<b>FRANÇAIS</b>	<b>16-29</b>
<b>DEUTSCH</b>	<b>30-48</b>
<b>ESPAÑOL</b>	<b>49-64</b>
<b>HRVATSKI</b>	<b>65-78</b>
<b>ČESKY</b>	<b>79-93</b>
<b>ITALIANO</b>	<b>94-109</b>
<b>POLSKI</b>	<b>110-125</b>
<b>ROMÂNĂ</b>	<b>126-144</b>
<b>PORTUGUÊS</b>	<b>145-159</b>
<b>NEDERLANDS</b>	<b>160-173</b>
<b>SLOVENSKÝ</b>	<b>174-187</b>
<b>LIETUVIŲ K</b>	<b>188-199</b>
<b>EESTI</b>	<b>200-211</b>
<b>БЪЛГАРСКИ</b>	<b>212-229</b>
<b>SLOVENŠČINA</b>	<b>230-241</b>
<b>СРПСКИ</b>	<b>242-253</b>
<b>МАКЕДОНСКИ</b>	<b>254-269</b>
<b>SHQIPTARE</b>	<b>270-282</b>
<b>BOSANSKI</b>	<b>283-295</b>

## Please read this user manual first!





Dear Valued Customer,

Thank you for preferring this Beko appliance. We hope that you get the best results from your appliance which has been manufactured with high quality and state-of-the-art technology. For this reason, please read this entire user manual and all other accompanying documents carefully before using the appliance and keep it as a reference for future use. If you handover the appliance to someone else, give the user manual as well. Follow the instructions by paying attention to all the information and warnings in the user manual.

Remember that this user manual may also apply to other models. Differences between models are explicitly described in the manual.

## Meanings of the Symbols

Following symbols are used in various sections of this user manual:

	Important information and useful hints about usage.
	Warnings for dangerous situations concerning the safety of life and property.
	Warning for electric shock.
	Warning for hot surfaces.



This appliance has been produced in environmentally friendly facilities without harming the nature.

---

# 1 Important safety and environmental instructions

## Important Safety Instructions Read Carefully And Keep For Future Reference

### 1.1 Safety warnings

This section contains safety instructions that will help protect from risk of fire, electric shock, exposure to leak microwave energy, personal injury or property damage. Failure to follow these instructions shall void any warranty.

- Beko Microwave Ovens comply with the applicable safety standards; therefore, in case of any damage on the appliance or power cable, it should be repaired or replaced by the dealer, service center or a specialist and authorized service alike to avoid any danger. Faulty or unqualified repair work may be dangerous and cause risk to the user.
- This appliance is intended to be used in household and similar applications such as:
  - Staff kitchen areas in shops, offices and other working environments;
  - Farm houses
  - By clients in hotels, and other residential type environments;
  - Bed and Breakfast type environments.
- It is not intended for industrial or laboratory use.
- Do not attempt to start the oven when its door is open; otherwise you may be exposed to harmful microwave energy. Safety locks should not be disabled or tampered with.
- The microwave oven is intended for heating food and beverages. Drying of food or clothing and heating of warming pads, slippers, sponges, damp cloth and similar may lead to risk of injury, ignition or fire.

# 1 Important safety and environmental instructions

- Do not place any object between the front side and the door of the oven. Do not allow dirt or cleaning agent remnants to build up on the closure surfaces.
- Any service works involving removal of the cover that provides protection against exposure to microwave energy must be performed by authorized persons/service. Any other approach is dangerous.
- Your product is intended for cooking, heating and defrost food at home. It must not be used for commercial purposes.
- Your oven is not designed to dry any living being.
- Do not use your appliance to dry clothes or kitchen towels.
- Do not use this appliance outdoors, bathrooms, humid environments or in places where the it can get wet.
- No responsibility or warranty claim shall be assumed for damages arising from misuse or improper handling of the appliance.
- Never attempt to dismantle the appliance. No warranty claims are accepted for damage caused by improper handling.
- Only use the original parts or parts recommended by the manufacturer.
- Do not leave this appliance unattended while it is in use.
- Always use the appliance on a stable, flat, clean dry, and non-slip surface.
- The appliance should not be operated with an external clock timer or separate remote control system.
- Before using the appliance for the first time, clean all parts. Please see the details given in the “Cleaning and Maintenance” section.
- Operate the appliance for its intended purpose only as described in this manual.
- Appliance becomes very hot while it is in use. Pay attention not to touch the hot parts inside the oven.

# 1 Important safety and environmental instructions

- Do not operate the oven empty.
- Cooking utensil may get hot due to the heat transferred from the heated food to the utensil. You may need oven gloves to hold the utensil.
- Utensils shall be checked to ensure that they are suitable for use in microwave ovens.
- Do not place the oven on stoves or other heat generating appliances. Otherwise, it may be damaged and the warranty becomes void.
- Steam may come out while opening the covers or the foil after cooking the food.
- The appliance and its accessible surfaces may be very hot when the appliance is in use.
- Door and outer glass may be very hot when the appliance is in use.
- Make sure that your mains power supply complies with the information supplied on the rating plate of the appliance.
- The only way to disconnect the appliance from the power supply is to remove the power plug from the power outlet.
- Use the appliance with a grounded outlet only.
- Never use the appliance if the power cable or the appliance itself is damaged.
- Do not use this appliance with an extension cord.
- Never touch the appliance or its plug with damp or wet hands.
- Place the appliance in a way so that the plug is always accessible.
- Prevent damage to the power cable by not squeezing, bending, or rubbing it on sharp edges. Keep the power cable away from hot surfaces and naked flame.
- Make sure that there is no danger that the power cable could be accidentally pulled or that someone could trip over it when the appliance is in use.

# 1 Important safety and environmental instructions

- Unplug the appliance before each cleaning and when the appliance is not in use.
- Do not pull the power cable of the appliance to disconnect it from its power supply and never wrap its power cable around the appliance.
- Do not immerse the appliance, power cable, or power plug in water or any other liquids. Do not hold it under running water.
- When heating food in plastic or paper containers, keep an eye on the oven due to the possibility of ignition.
- Remove the wire strings and/or metal handles of paper or plastic bags before placing bags to the oven.
- If smoke is observed, switch off or unplug the appliance if safe to do so and keep the door closed in order to stifle any flames.
- Do not use microwave oven for storage. Do not leave paper items, cooking material or food inside the oven when it is not being used.
- The contents of feeding bottles and baby food jars should be stirred or shaken and the temperature checked before consumption, in order to avoid burns.
- This appliance is a Group 2 Class B ISM equipment. Group 2 contains all ISM (Industrial, Scientific and Medical) equipment in which radio-frequency energy is intentionally generated and/or used in the form of electromagnetic radiation for the treatment of material, and spark erosion equipment.
- Class B equipment is suitable for use in domestic establishments and establishments directly connected to a low voltage power supply network.
- Do not use cooking oil in the oven. Hot oil may damage the components and materials of the oven, and it may even cause skin burns.
- Pierce food with thick crust such as potatoes, courgettes, apples and chestnuts.

# 1 Important safety and environmental instructions

- Appliance must be placed so that the rear side is facing the wall.
- Before moving the appliance, please secure the turntable to prevent damage.
- Eggs in their shell and whole hard-boiled eggs must not be heated in microwave ovens since they may explode, even after microwave heating has ended.

**WARNING:** If the door or door seals are damaged, the oven must not be operated until it has been repaired by a competent person.

**WARNING:** It is hazardous for anyone other than a competent person to carry out any service or repair operation which involves the removal of a cover which gives protection against exposure to microwave energy.

**WARNING:** Liquids and other foods must not be heated in sealed containers since they are liable to explode.

- The oven should be cleaned regularly and any food deposits removed.
- There should be min 20 cm free space above the top surface of the oven.
- Do not over-cook foods; otherwise, you may cause a fire.
- Do not use chemicals and steam assisted cleaners to clean the appliance.
- Extreme caution is advised when being used near children and persons who are restricted in their physical, sensory or mental abilities.
- This appliance can be used by the children who are at the age of 8 or over and by the people who have limited physical, sensory or mental capacity or who do not have knowledge and experience, as long as they are supervised with regard to safe use of the product or they are instructed accordingly or understand the risks of using the product. Children should not play with the appliance.



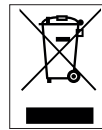
# 1 Important safety and environmental instructions

Cleaning and user maintenance procedures should not be performed by children unless they are controlled by their elders.

- **Danger of choking!** Keep all the packaging materials away from children.
- Due to excessive heat that arises in grill and combination modes, children should only be allowed to use these modes under supervision of an adult.
- Keep the product and its power cable so that they are inaccessible by children under 8 years old.
- Do not cook food directly on the glass tray. Put the food in / on appropriate kitchen utensils before placing them in the oven.
- Metallic containers for food and beverages are not allowed during microwave cooking. Otherwise, sparking may occur.
- This product is not designed to be built-in. Do not place the product in a cabinet or box while it is in use.

## 1.2 Compliance with the WEEE Directive and Disposing of the Waste Product:

This product complies with EU WEEE Directive (2012/19/EU). This product bears a classification symbol for waste electrical and electronic equipment (WEEE).



This symbol indicates that this product shall not be disposed with other household wastes at the end of its service life. Used device must be returned to official collection point for recycling of electrical and electronic devices. To find these collection systems please contact to your local authorities or retailer where the product was purchased. Each household performs important role in recovering and recycling of old appliance. Appropriate disposal of used appliance helps prevent potential negative consequences for the environment and human health.

## 1.3 Compliance with RoHS Directive

The product you have purchased complies with EU RoHS Directive (2011/65/EU). It does not contain harmful and prohibited materials specified in the Directive.

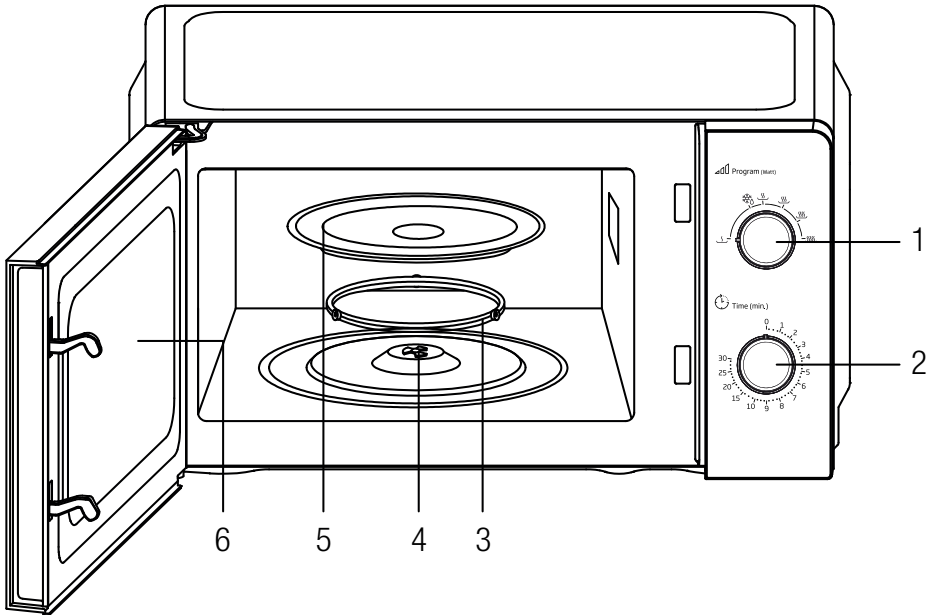
## 1.4 Package information



Packaging materials of the product are manufactured from recyclable materials in accordance with our National Environment Regulations. Do not dispose of the packaging materials together with the domestic or other wastes. Take them to the packaging material collection points designated by the local authorities.

## 2 Your microwave oven

### 2.1 Overview



### Controls and parts

1. Power knob
2. Timer knob
3. Roller ring
4. Shaft
5. Glass tray
6. Oven window

### 2.2 Technical data

<b>Rated Voltage</b>	230-240V~,50Hz
<b>Rated Input</b>	1100W (Microwave)
<b>Rated Output</b>	700W
<b>Microwave frequency</b>	2450MHz
<b>Microwave power level</b>	6
<b>Outside dimensions (H*W*D) mm</b>	243*446*340 mm
<b>Glass turntable</b>	245 mm
<b>Oven capacity</b>	20 L
<b>Net weight</b>	10 kg
<b>Color</b>	White / Black / Silver

Technical and design modification rights are reserved.

Markings on the appliance or the values stated in other documents supplied with the product are values obtained under laboratory conditions as per relevant standards. These values may vary according to the usage of the appliance and ambient conditions.

## 3 Installation and connection

### 3.1 Installation

1. Make sure that all the packing materials are removed from the inside of the door.



**WARNING:** Check the oven for any damage, such as misaligned or bent door, damaged door seals and sealing surface, broken or loose door hinges and latches and dents inside the cavity or on the door. If there is any damage, do not operate the oven and contact qualified service personnel.

2. This microwave oven must be placed on a flat, stable surface to hold its weight and the heaviest food likely to be cooked in the oven.
3. Do not place the oven where heat, moisture, or high humidity are generated, or near combustible materials.
4. For correct operation, the oven must have sufficient airflow. Allow 20 cm of space above the oven, 10 cm at back and 5 cm at both sides. Do not cover or block any openings on the appliance. Do not remove feet.
5. Do not operate the oven without glass tray, roller support, and shaft in their proper positions.
6. Make sure that the power supply cord is undamaged and does not run under the oven or over any hot or sharp surface.
7. The socket must be readily accessible so that it can be easily unplugged in an emergency.
8. Do not use the oven outdoors.

### 3.2 Radio interference

Operation of the microwave oven can cause interference to your radio, TV, or similar equipment.

When there is interference, it may be reduced or eliminated by taking the following measures:

1. Clean door and sealing surface of the oven.
2. Reorient the receiving antenna of radio or television.

3. Relocate the microwave oven with respect to the receiver.
4. Move the microwave oven away from the receiver.
5. Plug the microwave oven into a different outlet so that microwave oven and receiver are on different branch circuits.

### 3.3 Microwave cooking principles

1. Arrange food carefully. Place thickest areas towards outside of dish.
2. Watch cooking time. Cook for the shortest amount of time indicated and add more as needed. Food severely overcooked can smoke or ignite.
3. Cover foods while cooking. Covers prevent spattering and help foods to cook evenly.
4. Turn foods over once during microwave cooking to speed cooking of such foods as chicken and hamburgers. Large items like roasts must be turned over at least once.
5. Rearrange foods such as meatballs halfway through cooking both from top to bottom and from the center of the dish to the outside.

### 3.4 Grounding instructions

This appliance must be grounded. This oven is equipped with a cord having a grounding wire with a grounding plug. It must be plugged into a wall receptacle that is properly installed and grounded. In the event of an electrical short circuit, grounding reduces risk of electric shock by providing an escape wire for the electric current. It is recommended that a separate circuit serving only the oven be provided. Using a high voltage is dangerous and may result in a fire or other accident causing oven damage.



**WARNING:** Improper use of the grounding plug can result in a risk of electric shock.

## 3 Installation and connection



If you have any questions about the grounding or electrical instructions, consult a qualified electrician or service person.



Neither the manufacturer nor the dealer can accept any liability for damage to the oven or personal injury resulting from failure to observe the electrical connection procedures.

The wires in this cable main are colored in accordance with the following code:

**Green and Yellow = EARTH**

**Blue = NEUTRAL**

**Brown = LIVE**

### 3.5 Utensils guide

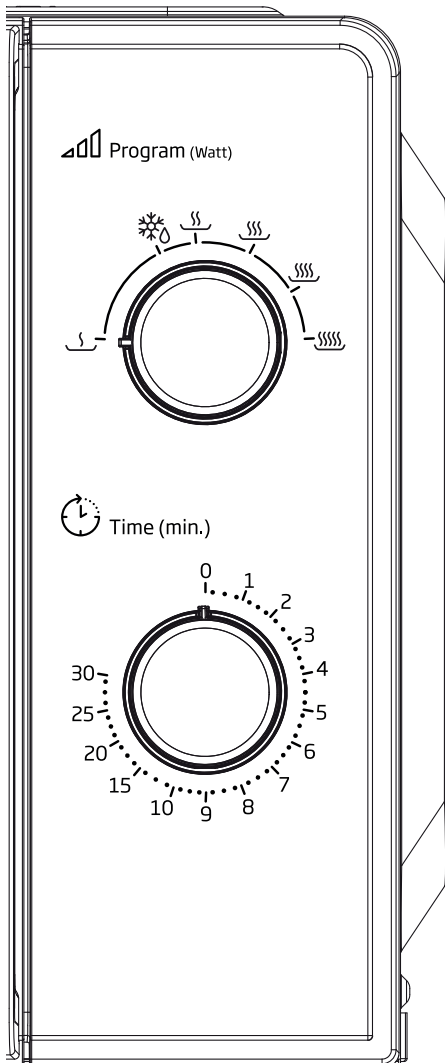
1. Microwave cannot penetrate metal. Only use utensils that are suitable for use in microwave ovens. Metallic containers for food and beverages are not allowed during microwave cooking. This requirement is not applicable if the manufacturer specifies size and shape of metallic containers suitable for microwave cooking.
2. Microwave cannot penetrate metal, so metal utensils or dishes with metallic trim should not be used.
3. Do not use recycled paper products when microwave cooking, as they may contain small metal fragments which may cause sparks and/or fires.
4. Round /oval dishes rather than square/oblong ones are recommend, as food in corners tends to overcook.
5. Narrow strips of aluminum foil may be used to prevent overcooking of exposed areas. But be careful don't use too much and keep a distance of 1 inch (2.54 cm) between foil and cavity.

The list below is a general guide to help you select the correct utensils.

Cookware	Microwave
Heat-Resistant Glass	Yes
Non Heat-Resistant Glass	No
Heat-Resistant Ceramics	Yes
Microwave-Safe Plastic Dish	Yes
Kitchen Paper	Yes
Metal Tray	No
Metal Rack	No
Aluminum Foil & Foil Containers	No

## 4 Operation

### 4.1 Control panel



The control panel consists of two function operators. One is a timer knob, and another a power knob.

#### Power knob

You use this power knob to choose a cooking power level. It is the first step to start a cooking session.

#### Timer knob

Offer visual timing settings at easy turn of your thumb to select a desired cooking time up to 30 minutes per cooking session.

#### Microwave cooking

For pure microwave cooking, there are six power levels from which to choose one as best fit to do the job at hand.

Power level increases with the knob turning clockwise. The power levels can be classified as the following:

	Power output	Description
1	100%	High
2	88%	M. High
3	73%	Med
4	52%	M. Low
5	42%	Defrost
6	20%	Low

### 4.2 Operation

To start a cooking session,

1. Place food in oven and close the door.
2. Turn power knob (1) to select a power level.
3. Use timer knob (2) to set a cooking time



As soon as the timer is turned, oven starts cooking. When selecting time for less than 2 minutes, turn timer past 2 minutes and then return to the correct time.



**CAUTION:** Always return timer back to zero position if food is removed from oven before the set cooking time is complete or when oven is not in use. To stop oven during cooking process, push the door release button or open the door by the handle.

## 5 Cleaning and care

### 5.1 Cleaning and care



**WARNING:** Never use gasoline, solvent, abrasive cleaning agents, metal objects or hard brushes to clean the appliance.



**WARNING:** Never immerse the appliance or its power cable in water or in any other liquid.

1. Turn off the oven and remove the power plug from the wall socket before cleaning.
2. Wait for the appliance to completely cool down.
3. Keep the inside of the oven clean. When food splatters or spilled liquids adhere to oven walls, wipe with a damp cloth. Mild detergent may be used if the oven gets very dirty. Avoid the use of spray and other harsh cleaners as they may stain, streak or dull the door surface.
4. The outside surfaces should be cleaned with a damp cloth. To prevent damage to the operating parts inside the oven, water should not be allowed to seep into the ventilation openings.
5. Wipe the both sides of the door and window, the door seals and adjacent parts frequently with a damp cloth to remove any spills or spatters. Do not use abrasive cleaner.
6. A steam cleaner is not be used.
7. Do not allow the control panel to become wet. Clean with a soft, damp cloth. When cleaning the control panel, leave oven door open to prevent oven from accidentally turning on.
8. If steam accumulates inside or around the outside of the oven door, wipe with a soft cloth. This may occur when the microwave oven is operated under high humidity condition. And it is normal.
9. It is occasionally necessary to remove the glass tray for cleaning. Wash the tray in warm sudsy water or in a dishwasher.
10. The roller ring and oven floor should be cleaned regularly to avoid excessive noise. Simply wipe the bottom surface of the oven with mild detergent. The roller ring may be washed in mild sudsy water or dishwasher. When removing the roller ring from cavity floor for cleaning, be sure to replace in the proper position.
11. Remove odors from your oven by combining a cup of water with the juice and skin of one lemon in a deep microwaveable bowl, microwave for 5 minutes. Wipe thoroughly and dry with a soft cloth.
12. When it becomes necessary to replace the oven light, please consult a dealer to have it replaced.
13. The oven should be cleaned regularly and any food deposits removed. Failure to maintain the oven in a clean condition could lead to deterioration of the surface that could adversely affect the life of the appliance and possibly result in a hazardous situation.
14. Please do not dispose this appliance into the domestic rubbish bin; it should be disposed to the particular disposal center provided by the municipalities.
15. When the microwave oven with grill function is first used, it may produce slight smoke and smell. This is a normal phenomenon because the oven is made of a steel plate coated with lubricating oil, and the new oven will produce fumes and odor generated by burning the lubricating oil. This phenomenon will disappear after a period of using.

### 5.2 Storage

- If you do not intend to use the appliance for a long time, please store it carefully.
- Please make sure that the appliance is unplugged, cooled down and totally dry.
- Store the appliance in a cool and dry place.
- Keep the appliance out of the reach of children

## 5 Cleaning and care

### 5.3 Handling and transportation

- During handling and transportation, carry the appliance in its original packaging. The packaging of the appliance protects it against physical damages.
- Do not place heavy loads on the appliance or the packaging. The appliance may be damaged.
- Dropping the appliance will render it non-operational or cause permanent damage.

## 6 Troubleshooting

Problem	Possible solution
If the oven fails to operate	Check to ensure that the oven is plugged in securely. If it is not, remove the plug from the outlet, wait 10 seconds, and plug it in again securely.
	Check for a blown circuit fuse or a tripped main circuit breaker. If these seem to be operating properly, test the outlet with another appliance.
	Check to ensure that the control panel is programmed correctly and the timer is set.
	Check to ensure that the door is securely closed engaging the door safety lock system. Otherwise, the microwave energy will not flow into the oven.
If none of the above rectifies the situation, then contact a qualified technician. Do not try to adjust or repair the oven yourself.	

# Avant toute chose, veuillez lire ce manuel d'utilisation !

Chère cliente, cher client,


Merci d'avoir choisi cet appareil Beko. Nous espérons que cet appareil, fabriqué dans des installations modernes et soumis à un processus de contrôle qualité rigoureux, vous offre les meilleures performances possible. C'est pourquoi nous vous recommandons, avant d'utiliser l'appareil, de lire attentivement et complètement ce manuel d'utilisation ainsi que tous les autres documents fournis et de les conserver soigneusement pour une utilisation future. Si vous cédez l'appareil à quelqu'un d'autre, remettez-lui également le manuel d'utilisation. Suivez les instructions en accordant une attention particulière à toutes les informations et les avertissements contenus dans le manuel d'utilisation.

Notez que ce manuel d'utilisation peut également s'appliquer à d'autres modèles. Les différences entre les modèles sont clairement décrites dans le manuel.

## Signification des symboles

Les pictogrammes suivants sont repris tout au long de ce manuel :

	Informations importantes et conseils utiles sur l'utilisation de l'appareil.
--	--

	Avertissement sur les situations dangereuses concernant la sécurité des biens et des personnes.
--	---

	Avertissement en cas de contact avec une surface brûlante.
--	--

	Avertissement en cas de choc électrique.
---	--



**LE TRI**  
**+ FACILE**



FR

Cet appareil  
et ses accessoires  
se recyclent

REPRISE  
À LA LIVRAISON



À DÉPOSER  
EN MAGASIN



À DÉPOSER  
EN DÉCHÈTERIE



Points de collecte sur [www.quefairedemesdechets.fr](http://www.quefairedemesdechets.fr)  
Privilégiez la réparation ou le don de votre appareil !



**PAPIER**  
**RECYCLÉ ET**  
**RECYCLABLE**

Cet appareil a été fabriqué dans des usines modernes respectueuses de l'environnement et sans causer des dommages à la nature.



# 1 Instructions importantes en matière de sécurité et d'environnement

## Consignes de sécurité importantes à lire attentivement et à conserver pour référence ultérieure

### 1.1 Avertissements de sécurité

Cette section comprend les instructions de sécurité qui vous mettent à l'abri de tout risque d'incendie, de choc électrique, d'exposition à une fuite d'énergie micro-ondes, de toute blessure physique ou de tout dommage matériel. Le non-respect de ces instructions annule toute garantie.

- Les fours à micro-ondes Beko sont conformes aux normes de sécurité applicables ; par conséquent, en cas de dommage sur l'appareil ou le câble d'alimentation, celui-ci doit être réparé ou remplacé par le revendeur, le centre de service ou un service spécialisé et autorisé afin d'éviter tout danger. Lorsque les réparations sont mauvaises ou effectuées par un personnel non qualifié, elles peuvent être dangereuses et entraîner des risques pour l'utilisateur.
- Cet appareil est conçu pour être utilisé dans les maisons et les endroits similaires tels que :
  - les cuisines du personnel des boutiques, des bureaux et autres environnements professionnels ;
  - les maisons de campagne ;
  - les cuisines pour clients dans les hôtels et autres lieux d'habitation ; et
  - les chambres d'hôtes.
- Il n'a pas été conçu à des fins industrielles ou pour les laboratoires.
- N'essayez pas de démarrer le four lorsque sa porte est ouverte, sinon vous risquez d'être exposé à l'énergie nocive des micro-ondes. Les verrous de sécurité ne doivent pas être levés ou altérés.
- Le four sert à réchauffer les aliments et les boissons. Le séchage des aliments et des chiffons humides, et le chauffage des coussins, pantoufles et éponges chauffantes, et autres dispositifs pourraient causer des dommages corporels, ou un incendie.

# 1 Instructions importantes en matière de sécurité et d'environnement

- Ne placez aucun objet entre la face avant et la porte du four. Ne laissez pas la saleté ou les restes de produits de nettoyage s'accumuler sur les surfaces de fermeture.
- Tout travail de réparation impliquant le retrait du couvercle qui assure la protection contre l'exposition à l'énergie micro-ondes doit être effectué par des personnes/services autorisés. Toute autre approche est dangereuse.
- Votre appareil est destiné à la cuisson, au chauffage et à la décongélation des aliments à domicile. Il ne doit pas être utilisé à des fins commerciales.
- Votre four n'est pas conçu pour sécher un être vivant.
- N'utilisez pas votre appareil pour sécher les vêtements ou les torchons de cuisine.
- N'utilisez pas cet appareil à l'extérieur, dans les salles de bain, dans des environnements humides ou dans des endroits où il peut être mouillé.
- Aucune responsabilité ou garantie n'est assumée pour les dommages résultant d'une mauvaise utilisation ou d'une manipulation incorrecte de l'appareil.
- N'essayez jamais de démonter l'appareil. Aucune réclamation de garantie n'est acceptée pour les dommages causés par une mauvaise manipulation.
- Utilisez uniquement les pièces ou pièces d'origine recommandées par le fabricant.
- Ne laissez pas l'appareil sans surveillance lorsqu'il est utilisé.
- Utilisez toujours l'appareil sur une surface stable, plane, propre, sèche et antidérapante.
- L'appareil ne doit pas être utilisé avec une horloge externe ou un système de commande à distance séparé.
- Nettoyez toutes les pièces de l'appareil avant de l'utiliser pour la première fois. Veuillez consulter les détails donnés dans la section « Nettoyage et entretien ».
- N'utilisez l'appareil que pour l'usage auquel il est destiné, tel que décrit dans ce manuel.
- L'appareil devient brûlant lorsqu'il est utilisé. Faites attention à ne pas toucher les parties chaudes à l'intérieur du four.
- Ne faites pas fonctionner le four lorsqu'il est vide.

# 1 Instructions importantes en matière de sécurité et d'environnement

- La chaleur produite par les aliments peut être transmise aux ustensiles de cuisson et les faire chauffer. Vous aurez peut-être besoin de gants de cuisine pour tenir l'ustensile.
- Assurez-vous que les ustensiles sont adaptés à l'utilisation dans un four à micro-ondes.
- Ne placez pas le four sur des cuisinières ou d'autres appareils générant de la chaleur. Dans le cas contraire, il peut être endommagé, annulant ainsi la garantie.
- De la vapeur peut s'échapper lorsque vous ouvrez les couvercles ou le papier d'aluminium après la cuisson des aliments.
- L'appareil et ses surfaces accessibles peuvent être très chauds lorsque l'appareil fonctionne.
- La porte et le verre extérieurs peuvent être très chauds lorsque l'appareil fonctionne.
- Assurez-vous que votre alimentation électrique est conforme aux informations fournies sur la plaque signalétique de l'appareil.
- L'unique façon de déconnecter l'appareil de l'alimentation électrique est de retirer la fiche de la prise de courant.
- Utilisez l'appareil uniquement avec une prise mise à la terre.
- N'utilisez jamais l'appareil si le câble d'alimentation ou l'appareil lui-même est endommagé.
- N'utilisez pas cet appareil avec une rallonge.
- Ne touchez jamais l'appareil ou sa prise avec des mains humides.
- Placez l'appareil de manière à ce que la fiche soit toujours accessible.
- Évitez d'endommager le câble d'alimentation en ne pas le serrer, le plier ou le frotter sur des bords tranchants. Éloignez le câble d'alimentation de toute surface brûlante et des flammes.
- Assurez-vous qu'il n'y ait aucun danger de tension accidentelle sur le câble d'alimentation et que personne ne risque de trébucher sur le câble, lorsque l'appareil est en marche.
- Débranchez l'appareil avant chaque nettoyage et lorsque l'appareil n'est pas utilisé.
- Ne tirez pas le câble d'alimentation de l'appareil pour le débrancher de son alimentation électrique et n'enroulez jamais son câble d'alimentation autour de l'appareil.

# 1 Instructions importantes en matière de sécurité et d'environnement

- Ne plongez pas l'appareil, le câble d'alimentation ou la fiche dans de l'eau ou dans tout autre liquide. Ne le maintenez pas sous l'eau courante.
- Si vous chauffez les aliments dans un récipient en plastique ou en papier, gardez un œil sur le four pour éviter tout risque d'inflammation.
- Retirez les attaches et poignées métalliques des récipients/sacs en papier ou en plastique avant de la monter sur le four.
- Si vous remarquez de la fumée, débranchez l'appareil si cela peut se faire sans danger et maintenez la porte fermée pour étouffer les flammes.
- N'utilisez pas le four à micro-onde comme espace de rangement. Ne laissez pas des produits en papier, des ustensiles de cuisson ou des aliments dans la cavité du four lorsque vous ne l'utilisez pas.
- Le contenu des biberons et aliments pour bébé doit être remué ou agité et vérifiez la température avant de les consommer pour éviter tout risque de brûlure.
- Ce produit est un appareil ISM du groupe 2 et de classe B. Le groupe 2 comprend tous les appareils ISM (à usage industriel, scientifique et médical) dans lesquels une énergie à fréquence radio est produite de façon intentionnelle et/ou utilisée sous la forme de radiations électromagnétiques pour le traitement de matériau, ainsi que les appareils dont les pièces sont usinées par électroérosion.
- Les appareils de la classe B sont conçus pour être utilisés dans un environnement domestique et dans des établissements directement reliés à un réseau d'alimentation basse tension.
- N'utilisez pas des huiles de cuisine dans le four. L'huile chaude peut endommager les composants et les matériaux du four. Elle peut également provoquer des brûlures de la peau.
- Percez les aliments à la croûte épaisse comme les pommes de terre, les courgettes, les pommes et les châtaignes.
- Disposez l'appareil de sorte que la face arrière soit tournée vers le mur.

# 1 Instructions importantes en matière de sécurité et d'environnement

- Avant de déplacer l'appareil, veuillez sécuriser le plateau tournant pour éviter tout dommage.
- Ne chauffez pas les œufs en coquille et les œufs durs entiers dans les fours à micro-ondes, ils peuvent exploser même après que le four ait terminé de chauffer.

**AVERTISSEMENT :** Si la porte ou les joints de la porte sont endommagés, faites-les réparer par une personne qualifiée avant de continuer à utiliser le four.

**AVERTISSEMENT :** Il est dangereux pour toute personne non qualifiée d'effectuer les travaux d'entretien et de réparation nécessitant le démontage du couvercle servant à protéger contre l'énergie des ondes du four.

**AVERTISSEMENT :** Les liquides et autres aliments ne doivent pas être chauffés dans les récipients fermés, parce qu'ils peuvent exploser.

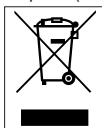
- Nettoyez le four régulièrement et enlevez tous les dépôts d'aliments dans le four.
- Vous devez laisser un espace de 20 cm au-dessus de la surface supérieure du four.
- Ne faites pas trop cuire les aliments, sinon vous risquez de provoquer un incendie.
- N'utilisez pas de nettoyeur à la vapeur pour nettoyer l'appareil.
- Des conditions de sécurité maximales sont requises lorsque l'appareil est utilisé près des enfants ou des personnes présentant des déficiences physiques, sensorielles ou mentales.
- Cet appareil peut être utilisé par des enfants âgés d'au moins 8 ans et par des personnes ayant des capacités physiques, sensorielles ou mentales réduites ou dénuées d'expérience ou de connaissance, s'ils (si elles) sont correctement surveillé(es) ou si des instructions relatives à l'utilisation de l'appareil en toute sécurité leur ont été données et si les risques encourus ont été appréhendés. Les enfants ne doivent pas jouer avec l'appareil. Le nettoyage et l'entretien par l'utilisateur ne doivent pas être effectués par des enfants sans surveillance
- **Risque de suffocation !** Gardez tous les matériaux d'emballage hors de portée des enfants.

# 1 Instructions importantes en matière de sécurité et d'environnement

- En raison de l'excès de chaleur qui se produit en modes gril et combiné, les enfants ne doivent être autorisés à utiliser ces modes que sous la surveillance d'un adulte.
- Tenez l'appareil et son câble d'alimentation hors de la portée des enfants de moins de 8 ans.
- Ne faites pas cuire les aliments directement sur le plateau en verre. Mettez les aliments dans/sur les ustensiles de cuisine appropriés avant de les placer dans le four.
- Les récipients métalliques pour les aliments et les boissons ne sont pas autorisés pendant la cuisson au micro-ondes. Sinon, cela pourrait produire une formation d'étincelles.
- Cet appareil n'est pas conçu pour être intégré. Ne le placez pas dans une armoire ou une boîte lorsqu'il est utilisé.

## 1.2 Conformité avec la directive DEEE et mise au rebut des déchets :

Ce produit est conforme à la directive DEEE (2012/19/UE) de l'Union européenne. Ce produit porte un symbole de classification pour la mise au rebut des équipements électriques et électroniques (DEEE).



Ce symbole indique que ce produit ne doit pas être jeté avec les déchets ménagers à la fin de sa vie utile. Les appareils usagés doivent être retournés au point de collecte officiel destiné

au recyclage des appareils électriques et électroniques. Pour trouver ces systèmes de collecte, veuillez contacter les autorités locales ou le détaillant auprès duquel vous avez acheté le produit.

Chaque ménage joue un rôle important dans la récupération et le recyclage des appareils ménagers usagés. L'élimination appropriée des appareils usagés aide à prévenir les conséquences négatives potentielles pour l'environnement et la santé humaine.

## 1.3 Conformité avec la directive LdSD :

L'appareil que vous avez acheté est conforme à la directive LdSD (2011/65/UE) de l'Union européenne. Il ne comporte pas les matériels dangereux et interdits mentionnés dans la directive.

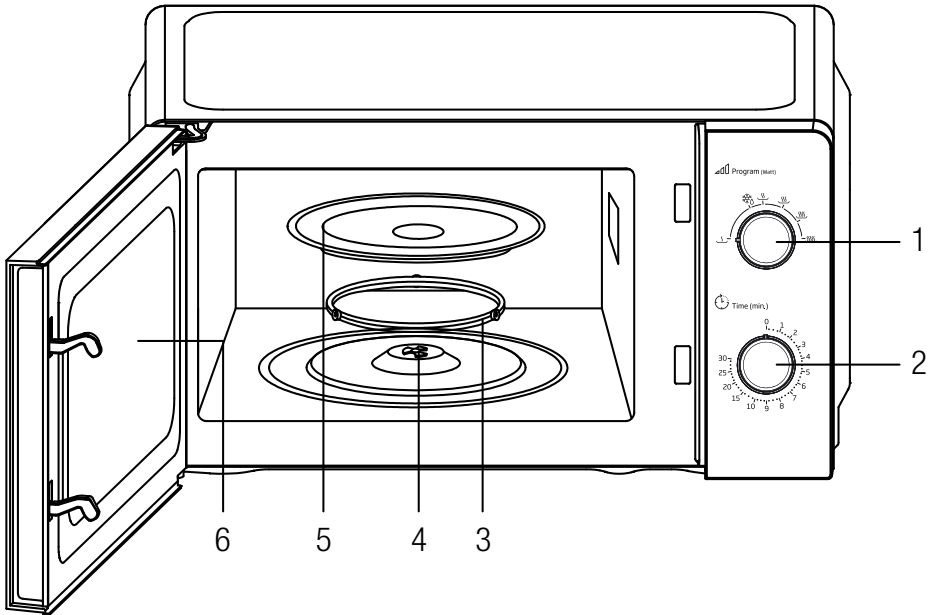
## 1.4 Information sur l'emballage



L'emballage du produit est composé de matériaux recyclables, conformément à notre réglementation nationale. Ne jetez pas les éléments d'emballage avec les déchets domestiques et autres déchets. Déposez-les dans un des points de collecte d'éléments d'emballage que vous indiquera l'autorité locale dont vous dépendez.

## 2 Votre four à micro-ondes

### 2.1 Aperçu



### Commandes et pièces

1. Bouton d'alimentation
2. Bouton de minuterie
3. Anneau de rouлеau
4. Arbre
5. Plateau en verre
6. Fenêtre du four

### 2.2 Données techniques

<b>Tension nominale</b>	230-240V~,50Hz
<b>Entrée nominale</b>	1100W (Micro-ondes)
<b>Puissance nominale</b>	700W

<b>Fréquence de fonctionnement</b>	2450MHz
<b>Niveau de puissance micro-ondes</b>	6
<b>Dimensions externes (H*W*D) mm</b>	243*446*340 mm
<b>Plateau tournant en verre</b>	245 mm
<b>Capacité du four</b>	20 L
<b>Poids net</b>	10 kg
<b>Couleur</b>	Blanc / Noir / Argent

Modifications relatives à la technique et à la conception réservées.

Les inscriptions sur le produit ou les valeurs indiquées sur la documentation fournie avec le produit sont des valeurs obtenues dans des conditions de laboratoire conformément aux normes en vigueur. Ces valeurs peuvent varier selon l'utilisation de l'appareil et les conditions ambiantes.

## 3 Installation et raccordement

### 3.1 Installation

1. Assurez-vous de retirer tous les matériaux d'emballage sur la partie intérieure de la porte.



**AVERTISSEMENT** : Vérifiez que le four ne présente aucun dommage, notamment une porte mal alignée ou pliée, des joints de porte et une surface d'étanchéité endommagés, des charnières de porte brisées ou desserrées, des verrous et des bosses à l'intérieur de la cavité ou sur la porte. En cas de dommage, ne faites pas fonctionner le four et contactez un personnel qualifié.

2. Ce four à micro-ondes doit être placé sur une surface plane et stable pour supporter son poids et les aliments les plus lourds susceptibles d'être cuits au four.
3. Ne placez pas le four dans un endroit où la chaleur, l'humidité ou l'humidité élevée sont générées, ou près de matériaux combustibles.
4. Pour un fonctionnement correct, le four doit disposer d'un débit d'air suffisant. Laisser 20 cm d'espace au-dessus du four, 10 cm à l'arrière et 5 cm des deux côtés. Ne couvrez ou ne bloquez aucun orifice de l'appareil. Ne retirez pas les pieds.
5. Ne faites pas fonctionner le four tant que le plateau en verre, le support de rouleaux et l'axe ne sont pas dans leur position correcte.
6. Assurez-vous que le cordon d'alimentation n'est pas endommagé et qu'il ne passe pas sous le four ou sur une surface chaude ou tranchante.
7. La prise doit être facilement accessible afin de pouvoir aisément débrancher votre appareil en cas d'urgence.
8. N'utilisez pas le four à l'extérieur.

### 3.2 Interférences radio

Le fonctionnement du four à micro-ondes peut créer des interférences avec la radio, la télévision ou d'autres appareils similaires.

En cas d'interférences, il est possible de les réduire ou de les supprimer en prenant les mesures suivantes :

1. Nettoyez la porte et la surface d'étanchéité du four.
2. Réorientez l'antenne de réception de la radio ou de la télévision.
3. Déplacez le four à micro-ondes par rapport au récepteur.
4. Éloignez le four à micro-ondes du récepteur.
5. Branchez le four à micro-ondes sur une autre prise, de sorte que le four et le récepteur se trouvent sur des circuits de dérivation différents.

### 3.3 Instructions de mise à la terre

Cet appareil doit être branché à une borne de mise à la terre. Ce four est équipé d'un cordon muni d'un câble de masse et d'une fiche de mise à la terre. Branchez la fiche sur une prise correctement installée et mise à la terre. En cas de court-circuit électrique, la mise à la terre réduit le risque de choc électrique en offrant au courant électrique un fil d'évacuation. Il est recommandé de prévoir un circuit séparé desservant uniquement le four. L'utilisation d'une haute tension est dangereuse et peut provoquer un incendie ou tout autre accident causant des dommages au four.



**AVERTISSEMENT** : L'utilisation incorrecte de la fiche de mise à la terre peut entraîner un risque de choc électrique.



Si vous avez des questions relatives à la mise à la terre ou aux instructions en matière d'électricité, consultez un électricien qualifié ou un personnel de service.



## 3 Installation et raccordement



Ni le fabricant ni le revendeur ne peuvent être tenus responsables des dommages au four ou des blessures corporelles résultant du non-respect des procédures de raccordement électrique.

Les fils de ce câble principal sont colorés selon le code suivant :

**Vert et jaune = MISE À LA TERRE**

**Bleu = NEUTRE**

**Marron = PHASE**

### 3.4 Guide d'ustensiles

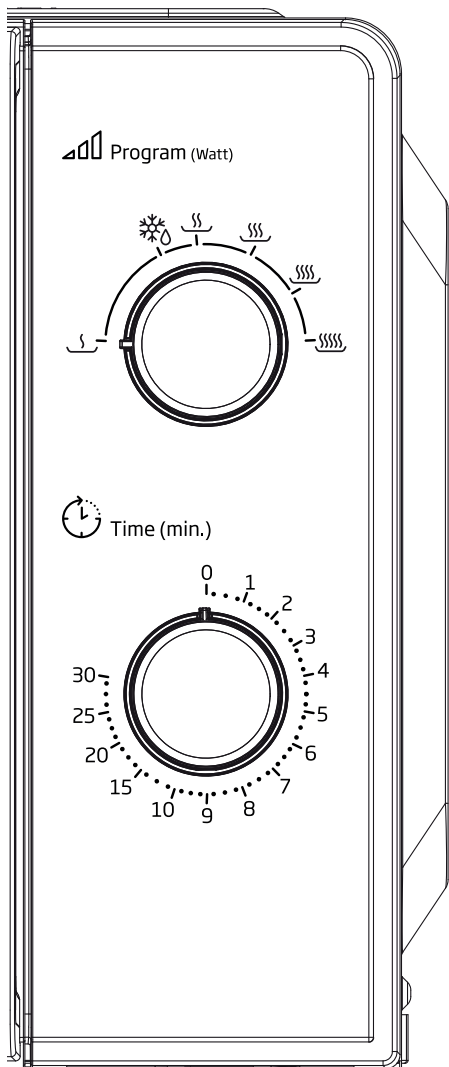
1. Les micro-ondes ne peuvent pas pénétrer le métal. Utilisez uniquement les ustensiles qui conviennent pour une utilisation au micro-ondes. Les récipients métalliques pour aliments et boissons sont interdits pendant la cuisson au micro-ondes. Cette exigence ne s'applique pas si le fabricant spécifie la taille et la forme des récipients métalliques qui conviennent pour la cuisson au micro-ondes.
2. Les micro-ondes ne traversent pas le métal, par conséquent n'utilisez pas d'ustensiles métalliques ou des plats avec des bordures métalliques.
3. Lorsque vous cuisinez au micro-ondes, n'utilisez pas des papiers recyclés car ils pourraient contenir de petits fragments métalliques pouvant causer des étincelles ou un incendie.
4. Il est recommandé d'utiliser des plats ronds ou ovales plutôt que des plats carrés ou allongés, car les aliments dans les coins ont tendance à trop cuire.
5. Vous pouvez utiliser des bandes étroites de papier d'aluminium pour éviter que les zones exposées ne cuisent trop. Mais faites attention à ne pas trop en utiliser et gardez une distance de 1 pouce (2,54 cm) entre le papier d'aluminium et la cavité.

La liste ci-dessous est un guide général pour vous aider à choisir les bons ustensiles.

Ustensiles de cuisine	Micro-ondes
Verre thermorésistant	Oui
Verre non thermorésistant	Non
Céramiques thermorésistantes	Oui
Plat en plastique pour le micro-ondes	Oui
Essuie-tout	Oui
Plateau métallique	Non
Support en métal	Non
Récipient en aluminium et papier d'aluminium	Non

## 4 Fonctionnement

### 4.1 Panneau de commande



Le panneau de commande comprend deux opérateurs de fonction. Le premier est un bouton de minuterie, et le second un bouton d'alimentation.

#### Bouton d'alimentation

Ce bouton de puissance est utilisé pour choisir un niveau de puissance de cuisson. Il s'agit de la première étape pour commencer une séance de cuisine.

#### Bouton de minuterie

Permet de régler visuellement le temps de cuisson en tournant simplement le pouce pour sélectionner le temps de cuisson souhaité, jusqu'à 30 minutes par session de cuisson.

#### Cuisson au four à micro-ondes

En ce qui concerne la cuisson pure au micro-ondes, il existe six niveaux de puissance parmi lesquels vous pouvez choisir celui qui convient le mieux à la tâche à accomplir.

Le niveau de puissance augmente lorsque le bouton est tourné dans le sens des aiguilles d'une montre. Les niveaux de puissance peuvent être classés comme suit :

	Puissance de sortie	Description
1	100%	Élevée
2	88%	M. élevée
3	73%	Moyen
4	52%	M. faible
5	42%	Dégivrage
6	20%	Faible

### 4.2 Fonctionnement

Pour démarrer une session de cuisson,

1. Placez les aliments dans le four et fermez la porte.
2. Tournez le bouton de puissance (1) pour sélectionner un niveau de puissance.
3. Utilisez le bouton de la minuterie (2) pour régler le temps de cuisson.

## 4 Funzionamento



Dès que la minuterie est tournée, le four commence à cuire. En sélectionnant une durée inférieure à 2 minutes, tournez la minuterie au-delà de 2 minutes, puis revenez à la durée correcte.



**ATTENTION :** Remettez toujours la minuterie à zéro si les aliments sont retirés du four avant la fin de la durée de cuisson programmée ou si le four n'est pas utilisé. Afin d'arrêter le four en cours de cuisson, appuyez sur le bouton d'ouverture de la porte ou ouvrez la porte par la poignée.

## 5 Pulizia e manutenzione

### 5.1 Nettoyage et entretien



**AVERTISSEMENT :** N'utilisez jamais d'essence, de solvants ou de nettoyeurs abrasifs, d'objets métalliques ou de brosses dures pour nettoyer l'appareil.



**AVERTISSEMENT :** Ne trempez jamais l'appareil ou son cordon d'alimentation dans de l'eau ou dans tout autre liquide.

1. Éteignez le four et débranchez la fiche d'alimentation de la prise murale avant le nettoyage.
2. Patientez jusqu'au refroidissement complet de l'appareil.
3. Maintenez l'intérieur du four propre. Lorsque des éclaboussures d'aliments ou des liquides renversés se déposent sur les parois du four, essuyez-les à l'aide d'un chiffon humide. Utilisez un détergent doux si le four est très sale. Évitez l'utilisation d'aérosol et d'autres nettoyeurs abrasifs, car ils peuvent tacher, rayer ou ternir la surface de la porte.
4. Nettoyez les surfaces extérieures avec un chiffon humide. Pour éviter d'endommager les pièces fonctionnelles à l'intérieur du four, ne laissez pas l'eau s'infiltrer par les orifices de ventilation.
5. Essuyez régulièrement les deux côtés de la porte et de la fenêtre, les joints d'étanchéité de la porte et les pièces adjacentes avec un chiffon humide pour nettoyer tout déversement ou toute éclaboussure. N'utilisez pas de nettoyeurs abrasifs.
6. Utilisez un nettoyeur à la vapeur.
7. Ne laissez pas le panneau de commande se mouiller. Nettoyez avec un chiffon humide et doux. Lorsque vous nettoyez le panneau de commande, laissez la porte du four ouverte pour éviter que le four ne s'allume accidentellement.
8. Si de la vapeur s'accumule à l'intérieur ou autour de la porte du four, essuyez-la à l'aide d'un chiffon doux. Cela se produit lorsque le four à micro-ondes fonctionne dans des conditions d'extrême humidité. Ce phénomène est normal.
9. Il est parfois nécessaire de retirer le plateau en verre pour le nettoyer. Lavez le plateau dans de l'eau tiède savonneuse ou au lave-vaisselle.
10. Nettoyez régulièrement l'anneau de rouleau et le plancher du four pour éviter des bruits excessifs. Essuyez simplement la surface inférieure du four à l'aide d'un détergent doux. Vous pouvez laver l'anneau de rouleau dans de l'eau tiède savonneuse ou au lave-vaisselle. Lorsque vous retirez l'anneau de rouleau du fond de la cavité pour le nettoyer, veillez à le replacer dans la bonne position.
11. Pour éliminer les odeurs de votre four, mélangez une tasse d'eau avec le jus et le zeste d'un citron dans un bol profond utilisable au micro-ondes et placez le bol dans le four pendant 5 minutes. Nettoyez soigneusement et séchez ensuite en vous servant d'un chiffon doux.
12. Lorsqu'il est nécessaire de remplacer la lampe du four, veuillez consulter un vendeur pour la faire remplacer.
13. Le four doit être régulièrement nettoyé et tous les dépôts d'aliments doivent être retirés. Tout défaut de conservation du four dans un état propre peut entraîner la détérioration de sa surface, ce qui en retour pourrait affecter la durée de vie de l'appareil et éventuellement des situations dangereuses.
14. Ne jetez pas cet appareil avec les ordures ménagères ; il doit être mis au rebut dans le centre de collecte prévu à cet effet par les autorités municipales.
15. Lorsque vous utilisez le four à micro-ondes avec fonction gril pour la première fois, il peut produire de légères fumées et odeurs. Ce phénomène est normal, car le four comporte une plaque d'acier recouverte d'huile de lubrification, et lorsqu'il est neuf, il produit des fumées et des odeurs générées

## 5 Pulizia e manutenzione

par la combustion de l'huile lubrification. Ce phénomène disparaît après une période d'utilisation.

### 5.2 Rangement

- Si vous ne comptez pas utiliser votre appareil pendant un certain temps, veuillez le ranger soigneusement.
- Veuillez également à ce que l'appareil soit débranché, complètement refroidi et entièrement sec.
- Conservez l'appareil dans un endroit frais et sec.
- Tenez l'appareil hors de la portée des enfants.

### 5.3 Manipulation et transport

- Pendant la manipulation et le transport, portez toujours l'appareil dans son emballage d'origine. L'emballage de l'appareil le protège des dommages physiques.
- Ne placez pas de charges lourdes sur l'appareil ou sur l'emballage. Cela pourrait l'endommager.
- Toute chute de l'appareil peut le rendre non opérationnel ou l'endommager de façon permanente.

## 6 Dépannage

Problème	Solutions possibles
Si le four ne fonctionne pas	Vérifiez si le four est branché correctement. Si tel n'est pas le cas, débranchez la fiche de la prise, patientez 10 secondes, puis rebranchez correctement la fiche.
	Vérifiez si le fusible est grillé ou si le disjoncteur principal a déclenché. S'ils fonctionnent correctement, vérifiez le bon état de la prise en branchant un autre appareil.
	Vérifiez que vous avez correctement programmé le panneau de commande et réglé la minuterie.
	Vérifiez que la porte est hermétiquement fermée en enclenchant le système de verrouillage de sécurité de la porte. Dans le cas contraire, la diffusion des micro-ondes dans le four s'en verra empêchée.
Au cas où aucune des mesures ci-dessus ne permettrait de résoudre le problème, contactez un technicien qualifié. Évitez d'essayer de régler ou de réparer le four vous-même.	

# Bitte lesen Sie zunächst diese Anleitung!

Sehr geehrte Kundin, sehr geehrter Kunde,


Vielen Dank, dass Sie sich für dieses Gerät der Marke Beko entschieden haben. Wir sind überzeugt, dass Sie mit diesem Gerät, das mit den höchsten Qualitätsanforderungen und modernster Technologie hergestellt wurde, beste Ergebnisse erzielen werden. Bitte lesen Sie die gesamte Bedienungsanleitung und alle anderen Begleitdokumente aufmerksam, bevor Sie das Gerät verwenden; bewahren Sie sie zum künftigen Nachschlagen sicher auf. Wenn Sie das Gerät an jemanden weitergeben, händigen Sie ihm bitte auch diese Anleitung aus. Befolgen Sie die Anweisungen, indem Sie alle Informationen und Warnhinweise in der Bedienungsanleitung beachten.

Bitte denken Sie daran, dass diese Bedienungsanleitung eventuell für mehrere Modelle geschrieben wurde. Unterschiede zwischen den Modellen werden in der Anleitung klar und deutlich beschrieben.


## Bedeutung der Symbole

Folgende Symbole werden in den verschiedenen Abschnitten dieser Anleitung verwendet:

	Wichtige Informationen und nützliche Tipps in Bezug auf die Verwendung.
--	---

	Warnhinweise zu gefährlichen Situationen im Hinblick auf die Sicherheit von Leib, Leben und Eigentum.
---	---

	Warnung vor Stromschlag.
--	--------------------------

	Warnung vor heißen Flächen.
--	-----------------------------



Dieses Gerät wurde in umweltfreundlichen, modernen Einrichtungen ohne schädliche Auswirkungen auf die Natur hergestellt.

---

# 1 Wichtige Hinweise zu Sicherheit und Umwelt

## **Wichtige Sicherheitshinweise sorgfältig lesen und zum späteren Nachschlagen aufbewahren.**

### **1.1 Sicherheitshinweise**

Dieser Abschnitt enthält Sicherheitshinweise zum Schutz vor Feuer, Stromschlag, Exposition gegenüber Leckmikrowellenenergie, Verletzungen oder Sachschäden. Die Nichtbeachtung dieser Sicherheitsvorschriften hat den Verlust der Garantie zur Folge.

- Beko-Mikrowellenöfen entsprechen den geltenden Sicherheitsnormen; daher sollte im Falle einer Beschädigung des Gerätes oder des Netzkabels dieses vom Händler, Servicezentrum oder einem Fachmann und autorisierten Kundendienst gleichermaßen repariert oder ersetzt werden, um jede Gefahr zu vermeiden. Fehlerhafte oder unqualifizierte Reparaturarbeiten können gefährlich sein und ein Risiko für den Benutzer darstellen.
- Dieses Gerät ist ausschließlich zur Verwendung in einem Haushalt und vergleichbaren Einrichtungen gedacht, darunter:
  - Teeküchen für Mitarbeiter in Läden, Büros und vergleichbaren Einrichtungen;
  - In landwirtschaftlicher Familienbetrieben
  - Für Gäste in Hotels, und vergleichbaren Unterkünften;
  - Kleineren Pensionen oder vergleichbaren Einrichtungen.
- Es ist nicht für den gewerblichen Einsatz oder für Laborzwecke gedacht.
- Versuchen Sie nicht, den Ofen bei geöffneter Tür zu starten. Andernfalls können Sie schädlicher Mikrowellenenergie ausgesetzt sein. Sicherheitsschlösser dürfen nicht deaktiviert oder manipuliert werden.

# 1 Wichtige Hinweise zu Sicherheit und Umwelt

- Der Mikrowellenofen ist für die Erwärmung von Lebensmitteln und Getränken vorgesehen. Das Trocknen von Lebensmitteln oder Kleidung und die Erwärmung von Wärmekissen, Hausschuhen, Schwämmen, feuchten Tüchern und Ähnlichem kann zu Verletzungs-, Entzündungs- oder Brandgefahr führen.
- Stellen Sie keine Gegenstände zwischen die Vorderseite und die Ofentür. Lassen Sie keine Schmutz- oder Reinigungsmittelreste auf den Verschlussflächen ansammeln.
- Alle Servicearbeiten, bei denen die Abdeckung entfernt wird, die einen Schutz gegen Mikrowellenenergie bietet, müssen von autorisierten Personen/Serviceleistungen durchgeführt werden. Jeder andere Ansatz ist gefährlich.
- Ihr Produkt ist zum Kochen, Erhitzen und Auftauen von Lebensmitteln zu Hause vorgesehen. Es darf nicht für kommerzielle Zwecke verwendet werden.
- Ihr Ofen ist nicht zum Trocknen von Lebewesen ausgelegt.
- Verwenden Sie Ihr Gerät nicht zum Trocknen von Kleidung oder Küchentüchern.
- Verwenden Sie dieses Gerät nicht im Freien, in Badezimmern, in feuchten Umgebungen oder an Orten, an denen es nass werden kann.
- Es wird keine Verantwortung oder Gewährleistungsanspruch für Schäden übernommen, die durch Missbrauch oder unsachgemäße Handhabung des Geräts entstehen.
- Versuchen Sie niemals, das Gerät zu zerlegen. Für Schäden, die durch unsachgemäße Handhabung verursacht wurden, werden keine Gewährleistungsansprüche anerkannt.
- Verwenden Sie nur Originalteile oder Teile empfohlen von der Hersteller.
- Lassen Sie das Gerät während der Verwendung nicht unbeaufsichtigt.



# 1 Wichtige Hinweise zu Sicherheit und Umwelt

- Verwenden Sie das Gerät immer auf einer stabilen, flachen, sauberen, trockenen und rutschfesten Oberfläche.
- Das Gerät darf nicht mit einer externen Zeitschaltuhr oder einer separaten Fernbedienung betrieben werden.
- Reinigen Sie alle Teile, bevor Sie das Gerät zum ersten Mal verwenden. Bitte beachten Sie die Details im Abschnitt "Reinigung und Wartung".
- Betreiben Sie das Gerät nur für den vorgesehenen Zweck, wie in diesem Handbuch beschrieben.
- Das Gerät wird während des Betriebs sehr heiß. Achten Sie darauf, die heißen Teile im Ofen nicht zu berühren.
- Die Mikrowelle darf keinesfalls leer betrieben werden.
- Das Kochutensilien kann aufgrund der Wärmeübertragung vom erhitzten Lebensmittel auf das Utensilien heiß werden. Möglicherweise benötigen Sie Ofenhandschuhe, um das Geschirr zu halten.
- Die Utensilien müssen zuvor auf ihre Eignung zur Benutzung in Mikrowellen überprüft werden.
- Stellen Sie den Ofen nicht auf Öfen oder andere wärmeerzeugende Geräte. Andernfalls kann es beschädigt werden und die Garantie erlischt.
- Beim Öffnen der Deckel oder der Folie kann nach dem Kochen des Essens Dampf austreten.
- Das Gerät und seine zugänglichen Oberflächen können sehr heiß sein, wenn das Gerät verwendet wird.
- Tür und Außenglas können sehr heiß sein, wenn das Gerät verwendet wird.
- Stellen Sie sicher, dass Ihre Netzspannung mit den Angaben auf dem Typenschild des Geräts übereinstimmt.
- Die einzige Möglichkeit, das Gerät von der Stromversorgung zu trennen, besteht darin, den Netzstecker aus der Steckdose zu ziehen.
- Verwenden Sie das Gerät nur mit einer geerdeten Steckdose.

# 1 Wichtige Hinweise zu Sicherheit und Umwelt

- Verwenden Sie das Gerät nicht, wenn das Netzkabel oder das Gerät beschädigt ist.
- Verwenden Sie dieses Gerät nicht mit einem Verlängerungskabel.
- Berühren Sie das Gerät oder seinen Stecker niemals mit nassen Händen!
- Das Gerät muss derart aufgestellt werden, dass der Stecker zugänglich ist.
- Verhindern Sie Schäden an der Stromversorgung Kabel durch nicht quetschen, biegen, oder an scharfen Kanten reiben. Halten Sie das Netzkabel von erhitzten Oberflächen und offenen Flammen fern.
- Stellen Sie sicher, dass keine Gefahr besteht, dass das Netzkabel versehentlich gezogen wird oder dass jemand darüber stolpert, wenn das Gerät verwendet wird.
- Ziehen Sie den Netzstecker vor jeder Reinigung und wenn das Gerät nicht in Gebrauch ist.
- Ziehen Sie nicht am Netzkabel des Geräts, um es von der Stromversorgung zu trennen, und wickeln Sie das Netzkabel niemals um das Gerät.
- Tauchen Sie das Gerät, das Netzkabel und den Netzstecker nicht in Wasser oder andere Flüssigkeiten ein. Halten Sie es nicht unter fließendes Wasser.
- Beim Erwärmen von Speisen in Kunststoff-oder Papierbehälter , immer ein Auge auf den Ofen haben um die Möglichkeit einer Zündung zu vermeiden.
- Entfernen Sie die Drahtschnüre und/oder Metallgriffe von Papier- oder Plastiktüten, bevor Sie die Tüten in den Ofen stellen.
- Wenn Rauch beobachtet wird, schalten Sie das Gerät aus oder ziehen Sie den Netzstecker, wenn dies sicher ist, und halten Sie die Tür geschlossen, um Flammen zu ersticken.
- Verwenden Sie Mikrowellen nicht zur Aufbewahrung. Lassen Sie keine Papiergegenstände, Kochmaterialien oder Lebensmittel im Ofen, wenn dieser nicht verwendet wird.

# 1 Wichtige Hinweise zu Sicherheit und Umwelt

- Der Inhalt von Babyflaschen und Babynahrung sollte gerührt und geschüttelt und die Temperatur sollte vor dem Verzehr geprüft werden, um Verbrennungen zu vermeiden.
  - Bei diesem Gerät handelt es sich um ein ISM-Gerät der Klasse B, Gruppe 2. Gruppe 2 beinhaltet alle ISM-Geräte (Hochfrequenz-Geräte in Industrie, Wissenschaft, Medizin) und Ausrüstungen, in denen Hochfrequenzenergie in Form von elektromagnetischer Strahlung für die Behandlung von Material gezielt erzeugt und/oder genutzt wird sowie Funkenerodiermaschinen.
  - Ausrüstungen der Klasse B sind für den Einsatz im häuslichen Umfeld und Einrichtung, die zur Stromversorgung direkt an das Niederspannungsnetz angeschlossen sind.
  - Verwenden Sie kein Speiseöl im Ofen. Heißes Öl kann die Komponenten und Materialien des Ofens beschädigen und sogar Hautverbrennungen verursachen.
  - Pierce Essen mit dicker Kruste wie Kartoffeln, Zucchini, Äpfel und Kastanien.
  - Das Gerät muss so aufgestellt werden, dass die Rückseite zur Wand zeigt.
  - Sichern Sie vor dem Bewegen des Geräts den Drehteller, um Beschädigungen zu vermeiden.
  - Rohe Eier sowie ganze hartgekochte Eier sollten nicht im Mikrowellengerät erhitzt werden, da sie selbst nach Ende des Garvorgangs in der Mikrowelle noch platzen könnten.
- WARNUNG:** Wenn die Tür oder die Türdichtungen beschädigt sind, darf der Ofen nicht betrieben werden, bis es von einer kompetenten Person repariert ist.
- WARNUNG:** Für unkompetente Personen besteht die Gefahr einen Service auszuführen oder Reparaturen durchzuführen, die die Entfernung der Abdeckung erfordern, welche den Schutz gegen die Strahlenbelastung der Mikrowellenenergie darstellen.

# 1 Wichtige Hinweise zu Sicherheit und Umwelt

**WARNUNG:** Flüssigkeiten und andere Lebensmittel dürfen nicht in verschlossenen Behältern aufgewärmt werden, da diese explodieren können.

- Das Mikrowellengerät sollte regelmäßig gereinigt und Lebensmittelreste entfernt werden.
- Über der Oberseite des Ofens sollte mindestens 20 cm Freiraum vorhanden sein.
- Überkochen Sie keine Lebensmittel, da Sie sonst einen Brand verursachen können.
- Verwenden Sie zum Reinigen des Geräts keine Chemikalien und dampfunterstützten Reinigungsmittel.
- Bei der Verwendung in der Nähe von Kindern und Personen, deren körperliche, sensorische oder geistige Fähigkeiten eingeschränkt sind, ist äußerste Vorsicht geboten.
- Dieses Gerät kann von Kindern ab 8 Jahren und von Personen mit eingeschränkter körperlicher, sensorischer oder geistiger Leistungsfähigkeit oder ohne Kenntnisse und Erfahrung verwendet werden, sofern sie hinsichtlich der sicheren Verwendung beaufschlagt werden des Produkts oder sie werden entsprechend instruiert oder verstehen die Risiken der Verwendung des Produkts. Kinder dürfen nicht mit dem Gerät spielen. Reinigungs- und Wartungsverfahren für Benutzer sollten nicht von Kindern durchgeführt werden, es sei denn, sie werden von ihren Ältesten kontrolliert.
- **Die Gefahr des Erstickens!** Halten Sie das Verpackungsmaterial von Kindern fern!
- Aufgrund der übermäßigen Hitze, die im Grill- und Kombinationsmodus auftritt, sollten Kinder diese Modi nur unter Aufsicht eines Erwachsenen verwenden dürfen.
- Bewahren Sie das Produkt und das Netzkabel so auf, dass Kinder unter 8 Jahren nicht darauf zugreifen können.

# 1 Wichtige Hinweise zu Sicherheit und Umwelt

- Kochen Sie das Essen nicht direkt auf der Glasschale. Legen Sie die Lebensmittel in/auf geeignete Küchenutensilien, bevor Sie sie in den Ofen stellen.
- Metallische Behälter für Lebensmittel und Getränke sind während des Mikrowellenkochens nicht erlaubt. Andernfalls kann es zu Funkenbildung kommen.
- Dieses Produkt ist nicht für den Einbau vorgesehen. Stellen Sie das Produkt während des Gebrauchs nicht in einen Schrank oder eine Kiste.

## 1.2 Ihre Pflichten als Endnutzer



Dieses Produkt erfüllt die Vorgaben der EU-WEEE-Direktive (2012/19/EU). Das Produkt wurde mit einem Klassifizierungssymbol für elektrische und elektronische Altgeräte (WEEE) gekennzeichnet.

Dieses Elektro- bzw. Elektronikgerät ist mit einer durchgestrichenen Abfalltonne auf Rädern gekennzeichnet. Das Gerät darf deshalb nur getrennt vom unsortierten Siedlungsabfall gesammelt und zurückgenommen werden. Es darf somit nicht in den Hausmüll gegeben werden. Das Gerät kann z.B. bei einer kommunalen Sammelstelle oder ggf. bei einem Vertreter (siehe unten zu deren Rücknahmepflichten in Deutschland) abgegeben werden.

Das gilt auch für alle Bauteile, Unterbaugruppen und Verbrauchsmaterialien des zu entsorgenden Altgeräts.

Bevor das Altgerät entsorgt werden darf, müssen alle Altbatterien und Altakkumulatoren vom Altgerät getrennt werden, die nicht vom Altgerät umschlossen sind. Das gleiche gilt für Lampen, die zerstörungsfrei aus dem Altgerät entnommen werden können. Der Endnutzer ist zudem selbst dafür verantwortlich, personenbezogene Daten auf dem Altgerät zu löschen.

Die ordnungsgemäße Entsorgung gebrauchter Geräte trägt dazu bei, mögliche negative Folgen für die Umwelt und die menschliche Gesundheit zu vermeiden.

## 1.3 Hinweise zum Recycling



Helfen Sie mit, alle Materialien zu recyceln, die mit diesem Symbol gekennzeichnet sind. Entsorgen Sie solche Materialien, insbesondere Verpackungen, nicht im Hausmüll, sondern über die bereitgestellten Recyclingbehälter oder die entsprechenden örtlichen Sammelsysteme.

Recyceln Sie zum Umwelt- und Gesundheitsschutz elektrische und elektronische Geräte.

## 1.4 Rücknahmepflichten der Vertreter

Wer auf mindestens 400 m<sup>2</sup> Verkaufsfläche Elektro- und Elektronikgeräte vertreibt oder diese gewerblich an Endnutzer abgibt, ist verpflichtet, bei Abgabe eines neuen Gerätes, ein Altgerät des Endnutzers der gleichen Geräteart, das im Wesentlichen die gleichen Funktionen wie das neue Gerät erfüllt, am Ort der Abgabe oder in unmittelbarer Nähe, unentgeltlich zurückzunehmen. Das gilt auch für Vertreter von Lebensmitteln mit einer Gesamtverkaufsfläche von mindestens 800 m<sup>2</sup>, die mehrmals im Kalenderjahr oder dauerhaft Elektro- und Elektronikgeräte anbieten und auf dem Markt bereitstellen. Solche Vertreter müssen zudem auf Verlangen des Endnutzers Altgeräte, die in keiner äußeren Abmessung

# 1 Wichtige Hinweise zu Sicherheit und Umwelt

größer als 25 cm sind, (kleine Elektrogeräte) im Einzelhandelsgeschäft oder in unmittelbarer Nähe hierzu unentgeltlich zurückzunehmen; die Rücknahme darf in diesem Fall nicht an den Kauf eines Elektro- oder Elektronikgerätes verknüpft, kann aber auf drei Altgeräte pro Geräteart beschränkt werden.

Ort der Abgabe ist auch der private Haushalt, wenn das neue Elektro- oder Elektronikgerät dorthin geliefert wird; in diesem Fall ist die Abholung des Altgerätes für den Endnutzer kostenlos.

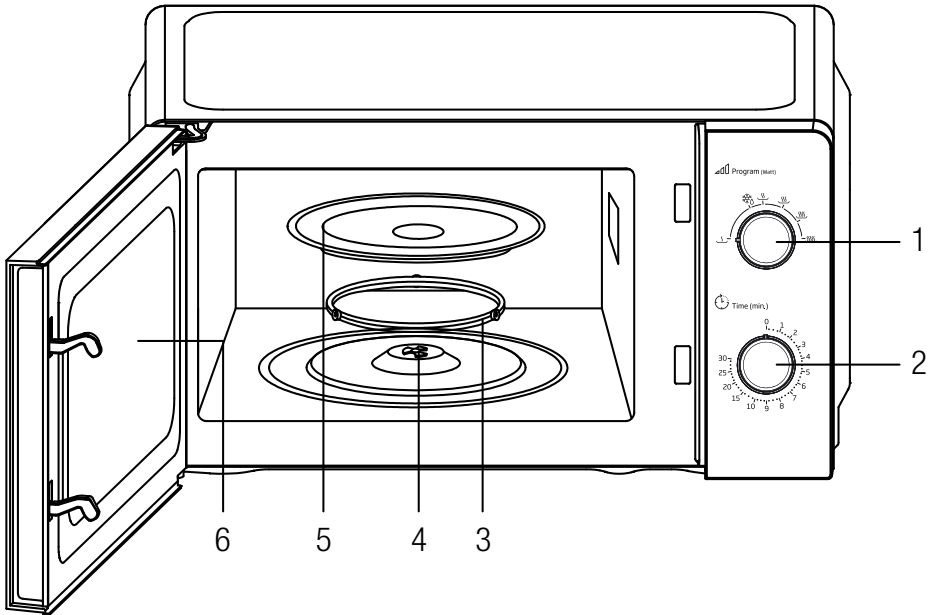
Die vorstehenden Pflichten gelten auch für den Vertrieb unter Verwendung von Fernkommunikationsmitteln, wenn die Vertreiber Lager- und Versandflächen für Elektro- und Elektronikgeräte bzw. Gesamtlager und Versandflächen für Lebensmittel beinhalten, die den oben genannten Verkaufsflächen entsprechen. Die unentgeltliche Abholung von Elektro- und Elektronikgeräten ist dann aber auf Wärmeüberträger (z.B. Kühlschrank), Bildschirme, Monitore und Geräte, die Bildschirme mit einer Oberfläche von mehr als 100 cm<sup>2</sup> enthalten und Geräte beschränkt, bei denen mindestens eine der äußeren Abmessungen mehr

## 1.5 Einhaltung von RoHS-Vorgaben

Das von Ihnen erworbene Produkt erfüllt die Vorgaben der EU-RoHS Direktive (2011/65/EU). Es enthält keine in der Direktive angegebenen gefährlichen und unzulässigen Materialien.

## 2 Ihr Mikrowellenofen

### 2.1 Übersicht



### Bedienelemente und Teile

1. Leistungsknopf
2. Zeitregler
3. Rollenring
4. Welle
5. Glasschale
6. Ofenfenster

### 2.2 Technische Daten

<b>Nennspannung:</b>	230-240V~,50Hz
<b>Neeneingang</b>	1100W (Mikrowelle)
<b>Nenausgang</b>	700W
<b>Mikrowellenfrequenz</b>	2450 Mhz
<b>Mikrowelle Leistungsstufe</b>	6
<b>Außenmaße (H*B*T) mm</b>	243*446*340 mm
<b>Glas Drehscheibe</b>	245 mm
<b>Ofenkapazität</b>	20 L
<b>Nettogewicht</b>	10 kg
<b>Farbe</b>	Weiß / Schwarz / Silber

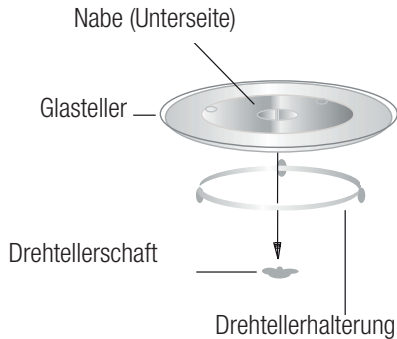
Technische und Design-Änderungsrechte sind vorbehalten.

Markierungen auf dem Gerät oder die Werte in anderen mit dem Produkt gelieferten Dokumenten sind Werte, die unter Laborbedingungen gemäß den einschlägigen Normen erhalten wurden. Diese Werte können je nach der Verwendung des Geräts und den Umgebungsbedingungen variieren.

## 2 Ihr Mikrowellenofen

### 2.3 Drehteller installieren

- Glasteller niemals verkehrt herum aufstellen. Der Glasteller darf niemals blockiert werden.
- Sowohl Glasteller als auch Drehtellerhalterung müssen stets während des Garens verwendet werden.
- Alle Lebensmittel und Lebensmittelbehälter müssen zum Garen auf dem Glasteller platziert werden.
- Falls Glasteller oder Drehtellerhalterung Risse oder Bruchstellen aufweisen, wenden Sie sich an Ihr autorisiertes Kundencenter vor Ort.





## 3 Installation und Anschluss

### 3.1 Installation

1. Stellen Sie sicher, dass sämtliche Verpackungsmaterialien von der Türinnenseite entfernt werden.



**WARNUNG:** Prüfen Sie die Mikrowelle auf Schäden, wie beispielsweise falsch ausgerichtet oder verzogene Türen, beschädigte Türdichtungen und Dichtflächen, schadhafte oder lockere Türscharniere und Verschlüsse, sowie Verbeulungen im Garraum oder an der Tür. Im Falle einer Beschädigung darf die Mikrowelle nicht verwendet werden. Wenden Sie sich bitte an den Kundendienst.

2. Diese Mikrowelle muss auf eine ebene, stabile Unterlage gestellt ist, die das Gerätgewicht einschließlich des Gewichts der darin erwärmten Speisen oder Lebensmittel tragen kann.
3. Stellen Sie die Mikrowelle nicht an Orten auf, in denen in größerem Umfang Hitze, Nässe oder Feuchtigkeit erzeugt bzw. brennbare Stoffe aufbewahrt werden.
4. Für den störungsfreien Betrieb der Mikrowelle ist eine ausreichende Luftzufuhr erforderlich. Lassen Sie mindestens 20 cm Abstand oberhalb der Mikrowelle, 10 cm an deren Rückseite und 5 cm an beiden Seiten. Die Öffnungen des Gerätes dürfen nicht abgedeckt oder versperrt werden. Die Gerätefüße dürfen nicht entfernt werden.
5. Verwenden Sie die Mikrowelle nicht ohne den Glasteller, die Rollenhalterung und Welle in deren ordnungsgemäßen Positionen.
6. Achten Sie darauf, dass das Netzkabel unbeschädigt ist und nicht unter der Mikrowelle bzw. anderen heißen oder scharfkantigen Gegenständen verläuft.
7. Die Steckdose muss gut zugänglich sein, sodass der Netzstecker in Notfällen leicht gezogen werden kann.

8. Benutzen Sie die Mikrowelle nicht im Freien.

### 3.2 Funkstörungen

Der Betrieb der Mikrowelle kann zu Störungen des Radio- oder TV-Empfangs bzw. zur Beeinträchtigung vergleichbarer Geräte führen.

Sollten derartige Störungen auftreten, können diese durch das Ergreifen der folgenden Maßnahmen verringert bzw. abgestellt werden.

1. Reinigen Sie die Tür und die Dichtungsflächen der Mikrowelle.
2. Richten Sie die Empfangsantenne des Radios bzw. Fernsehers erneut aus.
3. Stellen Sie die Mikrowelle an einer anderen Stelle in Verhältnis zum Empfangsgerät auf.
4. Vergrößern Sie den Abstand zwischen der Mikrowelle und dem Empfangsgerät.
5. Schließen Sie die Mikrowelle an eine andere Steckdose an, sodass die Mikrowelle und das Empfangsgerät an verschiedene Abzweigungen angeschlossen sind.

### 3.3 Mikrowellenkochprinzipien

1. Arrangieren Sie die Lebensmittel sorgfältig. Platzieren Sie die dicksten Bereiche am Gefäßrand.
2. BEACHTEN SIE DIE GARZEIT Garen Sie die Lebensmittel die vorgesehene Mindestzeit lang, und verlängern Sie den Vorgang bei Bedarf. Zu lange gegarte Speisen können verkohlen bzw. sich entzünden.
3. Decken Sie die Speisen während des Garens ab. Mit einem Deckel verhindern Sie Spritzer und sorgen für ein gleichmäßiges Durchgaren der Speisen.
4. Drehen bzw. rühren Sie zwischendurch die Speisen einmal während des Garens um. Das gilt insbesondere auch für Geflügelfleisch und Hamburger. Große Stücke, wie Bratenstücke müssen mindestens einmal gewendet werden.


# 3 Installation und Anschluss


5. Schieben Sie nach der Hälfte der Garzeit die Fleischbällchen bzw. vergleichbare Speisen von der Mitte des Gefäßes an den Rand und die vom Rand in die Mitte.

## 3.4 Erdungshinweise

Das Gerät muss geerdet werden. Diese Mikrowelle ist mit einem Kabel mit Erdungsstecker ausgestattet. Der Stecker muss in eine Wandsteckdose gesteckt werden, die ordnungsgemäß installiert und geerdet wurde. Im Falle eines elektrischen Kurzschluss, reduziert die Erdung das Risiko eines Stromschlags durch die Ableitung des elektrischen Stroms. Es wird empfohlen, dass die Mikrowelle an einen separaten Stromkreis angeschlossen wird, der nur dieses Gerät versorgt. Die Verwendung von Hochspannung ist gefährlich und kann zu einem Feuer oder anderen Unfällen führen und die Mikrowellen beschädigen.

 **WARNUNG:** Unsachgemäßer Gebrauch der Erdung kann zum Risiko von Stromschlägen führen.

 Wenn Sie weitere Fragen über die Erdung bzw. zur Elektroinstallation insgesamt haben sollten, wenden Sie sich bitte an einen Elektriker bzw. einen Kundendienstmitarbeiter.

 Weder der Hersteller noch der Händler haften für Schäden am Gerät bzw. Verletzungen, die aus dem Versäumnis herrühren, die ordnungsgemäßen Verfahren für die Elektroinstallation zu beachten.

Die Drähte in diesem Anschlusskabel sind wie folgt farblich gekennzeichnet:

**Grün und Geld = ERDE**

**BLAU = NULLLEITER**

**Braun = UNTER SPANNUNG**

## 3.5 Utensilienanleitung

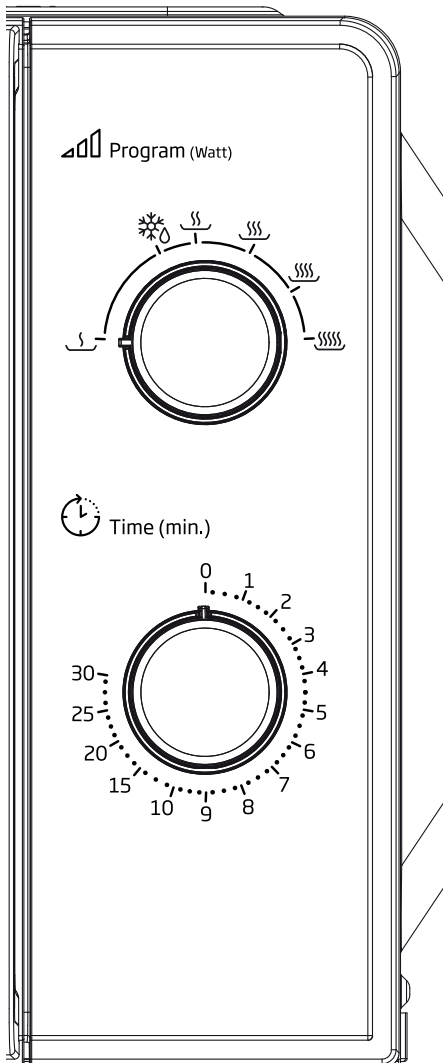
1. Mikrowelle kann Metall nicht durchdringen. Verwenden Sie nur Utensilien geeignet für den Gebrauch einer Mikrowelle. Metallische Behälter für Lebensmittel und Getränke sind während des Mikrowellenkochens nicht erlaubt. Diese Anforderung gilt nicht, wenn der Hersteller Größe und Form von Metallbehältern angibt, die für das Mikrowellengaren geeignet sind.
2. Die Mikrowellen können Metall nicht durchdringen, daher dürfen Gefäße aus Metall bzw. mit Metallrändern nicht verwendet werden.
3. Verwenden auch keine Behälter aus recycelten Papierprodukten zum Garen in der Mikrowelle, da diese kleine Metallfragmente enthalten, welche zur Funkenbildung führen bzw. sich selbst entzünden können.
4. Runde bzw. ovalförmige Gefäße sind im Vergleich zu quadratischen bzw. länglichen Formen besser geeignet, da sich die Speisen in den Ecken rasch überhitzen.
5. Um ein Überkochen zu vermeiden, empfehlen wir die Nutzung schmaler Streifen aus Alufolie. Seien Sie dabei jedoch vorsichtig und lassen Sie einen Abstand von 2,54 cm (1 Zoll) zwischen der Folie und dem den Garraumwänden.

Die Liste unten bietet eine allgemeine Orientierung, die Ihnen bei der Auswahl der richtigen Utensilien helfen soll.

Kochgeschirr	Mikrowelle
Hitzebeständiges Glas	Ja
Nicht Hitzebeständiges Glas	Nein
Hitzebeständige Keramik	Ja
Mikrowellensichere Kunststoffgefäße	Ja
Küchenpapier	Ja
Metallplatte	Nein
Metallschale	Nein
Aluminiumfolie und Folienbehälter	Nein

## 4 Bedienung

### 4.1 Kontrollfeld



Das Bedienfeld verfügt über zwei Funktionsschalter. Einer ist davon der Zeitregler, und ein anderer ein Leistungsknopf.

#### Leistungsknopf

Nutzen Sie diesen Leistungsknopf, um die Energiezufuhr für den Garvorgang auszuwählen. Diese Einstellung ist der erste Schritt, um einen Garvorgang einzuleiten.

#### Zeitregler

Bietet eine visuelle Zeiteinstellungen durch eine simple Drehung mit Ihrem Daumen, um die gewünschte Garzeit von bis zu 30 Minuten einzustellen.

#### Kochen mit der Mikrowelle

Für reines Garen in der Mikrowelle stehen 6 Leistungsstufen zur Verfügung, jeweils die beste für die anstehende Aufgabe auszuwählen.

Die Energiezufuhr steigt, wenn der Schalter im Uhrzeigersinn gedreht wird. Die Leistungsstufen lassen sich folgendermaßen einteilen:

	Leistung	Beschreibung
1	100%	Hoch
2	88%	M. hoch
3	73%	Mittel
4	52%	M. niedrig
5	42%	Auftauen
6	20%	Niedrig

### 4.2 Bedienung

Starten des Garvorgangs.

1. Stellen Sie die Speisen in die Mikrowelle, und schließen Sie die Tür.
2. Drehen Sie den Leistungsknopf (1) um eine Leistungsstufe auszuwählen.
3. Nutzen Sie den Zeitregler (2), um die Garzeit einzustellen.

## 4 Bedienung



Sobald der Zeitregler eingestellt wurde, startet die Mikrowelle den Garvorgang. Wenn eine Zeit von weniger als 2 Minuten eingestellt werden soll, drehen Sie Schalter über 2 Minuten und dann zurück, um den Zeitwert zu korrigieren.



**VORSICHT!** Stellen Sie den Timer immer auf Null zurück, wenn Lebensmittel aus dem Ofen genommen werden, bevor die eingestellte Garzeit abgelaufen ist oder wenn der Ofen nicht benutzt wird. Um die Mikrowelle während des Garvorgangs zu stoppen, drücken Sie auf die Türöffnertaste oder öffnen Sie die Tür am Griff.

# 5 Reinigung und Pflege

## 5.1 Reinigung und Pflege



**WARNUNG:** Verwenden Sie zur Reinigung des Geräts niemals Benzin, Lösungsmittel, abrasive Reinigungsmittel, Metallgegenstände oder harte Bürsten.



**WARNUNG:** Tauchen Sie das Gerät oder sein Netzkabel niemals in Wasser oder andere Flüssigkeiten.

1. Schalten Sie die Mikrowelle aus und ziehen Sie den Stecker aus der Steckdose, bevor Sie das Gerät reinigen.
2. Warten, bis das Gerät vollständig abgekühlt ist.
3. Halten Sie das Innere des Geräts sauber. Wenn Speisen spritzen oder Flüssigkeiten überlaufen und an den Gerätewänden kleben, wischen Sie diese mit einem feuchten Tuch trocken. Es kann ein mildes Reinigungsmittel verwendet werden, wenn die Mikrowelle sehr verschmutzt sein sollte. Vermeiden Sie den Gebrauch von Reinigungssprays oder aggressiven Reinigungsmitteln, da diese Oberfläche der Tür beschädigen oder abstumpfen lassen können.
4. Die äußeren Geräteoberflächen können mit einem feuchten Tuch gereinigt werden. Um Schäden der Funktionsteile im Inneren der Mikrowelle zu verhindern, muss das Eindringen von Wasser durch die Belüftungsöffnungen vermieden werden.
5. Wischen Sie die Tür- und Fensterseiten, die Türdichtungen und angrenzende Teile häufig mit einem feuchten Tuch ab, um Verschüttungen oder Spritzer zu entfernen. Verwenden Sie keine Scheuermittel.
6. A Dampfreiniger sollte nicht verwendet werden.
7. Achten Sie darauf, dass Bedienfeld nicht nass wird. Reinigen Sie dieses mit einem feuchten Tuch. Lassen Sie die Gerätetür offen, wenn Sie die Mikrowelle reinigen, um ein versehentliches Einschalten zu verhindern.
8. Wenn sich im Inneren bzw. um die Mikrowellentür herum Dampf ansammelt, wischen Sie diesen mit einem weichen Tuch ab. Das kann passieren, wenn die Mikrowelle in einer Umgebung mit hoher Luftfeuchtigkeit eingesetzt wird. Das ist völlig normal.
9. Von Zeit zu Zeit muss auch der Drehteller aus Glas zum Reinigen herausgenommen werden. Waschen Sie den Glasteller mit warmem Seifenwasser oder in einer Geschirrspülmaschine.
10. Der Drehring und der Geräteinnenboden müssen regelmäßig gereinigt werden, um störende Geräusche zu vermeiden. Wischen Sie dazu einfach den Geräteinnenboden unter Verwendung eines milden Reinigungsmittels aus. Der Drehring kann mit warmem Seifenwasser oder in einer Geschirrspülmaschine gesäubert werden. Wenn Sie den Drehring vom Geräteinnenboden abnehmen, achten Sie bei Wiedereinsetzen auf die richtige Position.
11. Um schlechte Gerüche im Inneren zu beseitigen, stellen Sie eine tiefe Schale mit einer Mischung aus Wasser, Zitronensaft sowie etwas Zitronenschale in die Mikrowelle und schalten Sie diese für 5 Minuten ein. Wischen Sie dann alles mit einem weichen Tuch gründlich ab.
12. Sollte der Austausch der Mikrowellenlampe notwendig werden, wenden Sie sich bitte an einen Händler.
13. Das Mikrowellengerät sollte regelmäßig gereinigt und Lebensmittelreste entfernt werden. Mängel, die verhindern, dass das Gerät in einem sauberen Zustand gehalten wird, können zur Abnutzung der Oberfläche führen, welche negative Auswirkungen auf die Lebensdauer des Geräts und möglicherweise zu einer gefährlichen Situation führen können.
14. Das Gerät darf nicht mit normalen Hausmüll entsorgt werden; sondern muss in den dafür vorgesehenen Sammelstellen der Kommunen abgegeben werden.

## 5 Reinigung und Pflege

15. Bei der ersten Inbetriebnahme des Mikrowellengeräts mit Grillfunktion kann es zu leichter Rauch- und Geruchsentwicklung kommen. Dies ist ein normales Phänomen, da der Ofen aus einer mit Schmieröl beschichteten Stahlplatte besteht und der neue Ofen Rauch und Gerüche erzeugt, die durch das Verbrennen des Schmieröls entstehen. Dieses Phänomen verschwindet nach einer gewissen Nutzungsdauer.

### 5.2 Lagerung

- Wenn Sie beabsichtigen, das Gerät für längere Zeit nicht zu benutzen, bewahren Sie es bitte sorgfältig auf.
- Bitte stellen Sie sicher, dass das Gerät ausgesteckt, abgekühlt und vollständig trocken ist.

- Lagern Sie das Gerät an einem kühlen und trockenen Ort.
- Bewahren Sie das Gerät außerhalb der Reichweite von Kindern auf

### 5.3 Handhabung und Transport

- Tragen Sie das Gerät während der Handhabung und des Transports in der Originalverpackung. Die Verpackung des Geräts schützt es vor physischen Schäden.
- Legen Sie keine schweren Lasten auf das Gerät oder auf die Verpackung. Das Gerät kann beschädigt werden.
- Das Herunterfallen des Geräts macht es funktionsunfähig oder verursacht bleibende Schäden.

## 6 Problembehandlung

Problem	Mögliche Lösung
Wenn die Mikrowelle sich nicht einschaltet	Stellen Sie sicher, dass der Gerätestecker fest eingesteckt ist. Sollte dies nicht der Fall, ziehen Sie den Stecker, warten Sie 10 Sekunden, und verbinden Sie diesen dann wieder ordnungsgemäß mit der Steckdose.
	Prüfen Sie, ob eine Sicherung durchgebrannt ist bzw. der Trennschalter den Stromkreis unterbrochen hat. Wenn die Sicherungen ordnungsgemäß zu funktionieren scheinen, prüfen die Steckdose mit einem anderen Gerät.
	Prüfen Sie, ob die Schalttafel richtig programmiert und der Timer eingestellt ist.
	Prüfen Sie, ob die Tür fest geschlossen und die Sicherheitsverriegelung richtig eingerastet ist. Andernfalls schaltet sich die Mikrowelle nicht ein.
Wenn keine der oben genannten Maßnahmen Abhilfe schafft, wenden Sie sich an einen qualifizierten Techniker. Versuchen Sie nicht, den Ofen selbst einzustellen oder zu reparieren.	

## 7 Informationen

### Service und Ersatzteile

Unsere Geräte werden nach den neuesten technischen Erkenntnissen entwickelt, produziert und geprüft. Sollte trotzdem eine Störung auftreten, so bitten wir Sie, sich mit Ihrem Fachhändler bzw. mit der Verkaufsstelle in Verbindung zu setzen. Sollte dies nicht möglich sein, wenden Sie sich bitte an das BEKO GRUNDIG-Service-Center unter folgenden Kontaktdaten:

**Telefon: 0911 / 590 597 29**  
**(Montag bis Freitag von 08.00 bis 18.00 Uhr)**  
**Telefax: 0911 / 590 597 31**  
**E-Mail: [service@grundig.com](mailto:service@grundig.com)**  
**<https://www.grundig.com/de-de/support>**

Unter den obengenannten Kontaktdaten erhalten Sie ebenfalls Auskunft über den Bezug möglicher Ersatz- und Zubehörteile.

### BEKO GRUNDIG Kundenberatungszentrum

**Montag bis Freitag von 8.00 bis 18.00 Uhr**  
Deutschland: 0911 / 590 597 30  
Österreich : 0820 / 220 33 22 \*  
\* gebührenpflichtig (0,145 €/Min. aus dem Festnetz,  
Mobilfunk: max. 0,20 €/Min.)

Haben Sie Fragen?

Unser Kundenberatungszentrum steht Ihnen werktags stets von 18.00 – 8.00 Uhr zur Verfügung.

Sehr geehrte Kundin, sehr geehrter Kunde,

als Käufer eines Haushaltskleingerätes der Marke Beko stehen Ihnen die gesetzlichen Gewährleistungsrechte (Nachbesserung und Nacherfüllung) aus dem Kaufvertrag zu. Die Gewährleistung erfolgt für die Fehlerfreiheit bei Geräteübergabe entsprechend dem jeweiligen Stand der Technik. Über die Gewährleistung hinaus räumt Ihnen der Hersteller eine Garantie ein, diese schränkt die gesetzliche Gewährleistung – die für 24 Monate ab dem Kaufdatum gilt - nicht ein. Garantiert wird die Mängelbeseitigung durch Reparatur oder Austausch nach Wahl des Herstellers.

Sollte eine Störung an Ihrem Gerät auftreten, wenden Sie sich bitte an Ihren Fachhändler bzw. den Verkäufer. Dieser wird vor Ort das Gerät prüfen und den Kundenservice durchführen. Auch soweit Ansprüche aus der Herstellergarantie bestehen, werden diese nur durch den Verkäufer abgewickelt.

### **Die Garantiezeit beträgt 24 Monate ab Kaufdatum.**

#### **Bedingungen:**

1. Ein maschinell erstellter Original-Kaufbeleg liegt vor.
2. Das Gerät ist nur mit Original-Zubehör und Original-Ersatzteilen betrieben worden.
3. Die in der Gebrauchsanweisung erwähnten Wartungs- und Reinigungsarbeiten sind entsprechend ausgeführt worden.
4. Das Gerät wurde nicht geöffnet/zerlegt.
5. Bauteile, die einem gebrauchsbedingtem Verschleiß unterliegen, fallen nicht unter die Garantie
6. Ausgewechselte Teile werden Eigentum des Herstellers.
7. Ausgeschlossen von der Garantie sind die Mängel, die durch unsachgemäße Installation, z.B. Nichtbeachtung der VDE-Vorschriften; unsachgemäße Aufstellung, z.B. Nichtbeachtung der Einbau- oder Installationsvorschriften; äußere Einwirkung, z.B. Transportschäden, Beschädigung durch Stoß oder Schlag, Schäden durch Witterungseinflüsse, unsachgemäße Bedienung oder Beanspruchung, z.B. Nichtbeachtung der Gebrauchsanweisungen verursacht wurden.
8. Eine gewerbliche oder gleichzustellende Nutzung, z.B. in Hotels, Pensionen, Gaststätten, Arztpraxen oder Gemeinschaftsanlagen, gilt als eine nicht bestimmungsgemäße Benutzung, die die Garantie ausschließt.
9. Die Mängelbeseitigung verlängert die ursprüngliche Garantiezeit nicht.
10. Schadenersatzansprüche, auch hinsichtlich Folgeschäden, sind, soweit sie nicht auf Vorsatz oder grober Fahrlässigkeit beruhen, ausgeschlossen.
11. Der Anspruch auf Garantieleistung steht nur dem Erstkäufer zu und erlischt bei Weiterverkauf des Produktes durch den Erstkunden.
12. Die Garantie gilt für neue Produkte und nicht für Produkte, die als Gebrauchtgeräte verkauft worden sind und nicht für B-Ware.
13. Die Garantie ist nicht übertragbar.

**Diese Garantiezusage ist nur gültig innerhalb der Bundesrepublik Deutschland**

Garantiebedingungen - Beko – Version Februar 2021



# ¡Lea el manual de usuario antes de utilizar el aparato!

Estimado cliente:

Gracias por elegir un aparato Beko. Esperamos que obtenga los mejores resultados de su aparato, ya que ha sido fabricado con gran calidad y con tecnología de última generación. Por esta razón, le aconsejamos que lea este manual de usuario y todos los demás documentos adjuntos con atención antes de utilizar el aparato y que los guarde para futuras consultas. Si entrega este aparato a otra persona, proporcionele también el manual de usuario. Siga las instrucciones prestando especial atención a toda la información y advertencias incluidas en el manual de usuario.

Recuerde que este manual de usuario también puede servir para otros modelos. En el manual se describen las diferencias entre los modelos explícitamente.

## Significado de los símbolos

Los siguientes símbolos se usan en las diversas secciones del presente manual de usuario:

	Información importante y consejos útiles sobre el uso.
	Advertencias de situaciones peligrosas sobre la seguridad de las personas y la propiedad.
	Advertencia para las superficies calientes.
	Advertencia sobre posibles descargas eléctricas.



Este aparato se ha fabricado en plantas de fabricación modernas y que hacen uso de procesos respetuosos con el medio ambiente.

---

# 1 Instrucciones importantes para la seguridad y el medio ambiente

Esta sección contiene instrucciones de seguridad que ayudarán a la protección contra los riesgos de incendio, descarga eléctrica, exposición a la energía de microondas, lesiones personales o daño a la propiedad. El incumplimiento de estas instrucciones puede causar la anulación de las garantías otorgadas.

## 1.1 Seguridad general

- No intente iniciar el horno con la puerta abierta; de lo contrario, podrá exponerse a la energía de microondas que puede ser dañina. Los bloqueos de seguridad no se deben desactivar ni manipular.
- No coloque ningún objeto entre la parte frontal y la puerta del horno. No deje que se acumule suciedad o restos de productos de limpieza en las superficies de cierre.
- Cualquier trabajo de servicio técnico que incluya la retirada de la tapa que brinda protección contra la exposición a la energía de microondas debe ser realizada por personas o servicio técnico autorizados. Si se realiza de otro modo, resultará peligroso.
- Su producto está destinado a cocinar, calentar y descongelar alimentos en un ámbito doméstico. No debe utilizarse para fines comerciales. El fabricante no se responsabilizará por los daños que puedan surgir por mal uso.
- No utilice este electrodoméstico al aire libre, en baños, ambientes húmedos o en lugares donde pueda mojarse.
- No se asumirá ninguna reclamación de garantía o responsabilidad por daños causados por mal uso o manipulación inadecuada del aparato.
- Nunca trate de desmontar el aparato. No se admitirá reclamación de garantía alguna por daños causados por un manejo inadecuado.
- Utilice únicamente accesorios originales o bien los que recomienda el fabricante.

# 1 Instrucciones importantes para la seguridad y el medio ambiente

- No deje este aparato desatendido mientras esté enchufado.
- Utilice el aparato sobre una superficie estable, plana, limpia y no deslizante.
- Este aparato no debe utilizarse con ningún temporizador externo o sistema de control remoto independiente.
- Antes de utilizar el aparato por primera vez, limpie todas sus piezas. Consulte los detalles en la sección "Limpieza y mantenimiento".
- Utilice este aparato únicamente para su uso previsto, tal como se describe en este manual. No utilice productos químicos abrasivos o vapor en este aparato. Este horno está destinado particularmente a calentar y cocinar alimentos. No debe destinarse al uso industrial o en laboratorios.
- No utilice este electrodoméstico para secar la ropa o los paños de cocina.
- El aparato alcanza temperaturas muy elevadas cuando está en uso. Tenga cuidado de no tocar las partes calientes dentro del horno.
- Este horno no está diseñado para secar ningún ser vivo.
- No lo ponga en funcionamiento cuando esté vacío.
- Los utensilios de cocina pueden calentarse por efecto de la transferencia de calor de los alimentos al utensilio. Puede ser necesario que use guantes para sostener el utensilio.
- Los utensilios se deberán verificar para asegurarse de que sean aptos para su uso en hornos microondas.
- No coloque el horno sobre fogones u otros aparatos generadores de calor. De lo contrario, se puede dañar y la garantía se anulará.
- El horno microondas no se debe ubicar en un armario que no cumpla con las instrucciones de instalación.
- El vapor puede salir al abrir las tapas o el papel de cobertura tras la cocción del alimento.

# 1 Instrucciones importantes para la seguridad y el medio ambiente

- Utilice guantes al retirar cualquier tipo de alimento calentado.
- Es posible que el aparato y las superficies accesibles estén muy calientes durante el funcionamiento.
- Es posible que la puerta y el vidrio exteriores estén muy calientes mientras el aparato esté en funcionamiento.
- El horno microondas Beko cumple con todas las normas de seguridad aplicables; por ello, si el cable o el aparato presentan daños, deberán ser reparados o sustituidos por el distribuidor, un servicio técnico o una persona cualificada y autorizada para evitar cualquier peligro. Los trabajos de reparación deficientes o realizados por personal no cualificado puede ser peligrosos y entrañar riesgos para el usuario.
- Asegúrese de que la fuente de alimentación cumpla con la información que se indica en la placa de datos del aparato.
- La única forma de desconectar el aparato de la corriente eléctrica es desenchufarlo de la toma de pared.
- Use el aparato únicamente con un enchufe con toma a tierra.
- Nunca utilice el aparato si está dañado el cable de alimentación o el mismo aparato.
- No utilice este aparato con un cable alargador.
- Nunca toque el aparato o su enchufe con las manos húmedas o mojadas.
- Coloque siempre el aparato de forma que el enchufe quede a mano.
- Evite daños al cable procurando que no sufra tirones, no se doble y no roce con bordes afilados para evitar dañarlo. Mantenga el cable de corriente alejado de superficies calientes y llamas abiertas.
- Asegúrese de que no exista peligro de que pueda tirarse accidentalmente del cable de corriente o de que alguien tropiece con él mientras el aparato esté en uso.

# 1 Instrucciones importantes para la seguridad y el medio ambiente

- Desenchufe el aparato antes de cada limpieza y cuando no esté en uso.
- No tire del cable de alimentación del aparato para desconectarlo de la red ni enrolle el cable alrededor del mismo.
- No sumerja el aparato, el cable eléctrico o el enchufe en agua ni en ningún otro líquido. Tampoco ponga dichos elementos bajo un chorro de agua.
- Vigile el horno cuando caliente alimentos en recipientes de plástico o papel, y controle el horno frecuentemente, ya que existe la posibilidad de que estos materiales se incendien.
- Retire los alambres y/o asas metálicas de las bolsas de papel o de plástico antes de colocar estas bolsas aptas para su uso en microondas dentro del horno.
- Apague el aparato o desenchúfelo y mantenga la puerta cerrada para evitar un incendio si observa humo.
- No utilice el interior del horno para almacenamiento. No deje objetos de papel, utensilios de cocción o alimentos dentro del horno cuando se esté utilizando.
- Agite o remueva los contenidos de los biberones y de los tarritos de comida para bebés y compruebe su temperatura antes de su consumo con el fin de evitar quemaduras.
- Este producto es un equipo de Grupo 2 Clase B ISM. El Grupo 2 engloba todos los equipos ISM (industriales, científicos y médicos) en los que la energía de radiofrecuencia se genera intencionadamente y/o se usa en forma de radiación electromagnética para el tratamiento de materiales, así como los equipo de electroerosión.
- Los equipos de la Clase B están diseñados para el uso en hogares o establecimientos directamente conectados a una red de alimentación de bajo voltaje.
- La puerta o la superficie exterior del aparato pueden calentarse cuando estén en uso.
- No caliente líquidos u otros ali-

# 1 Instrucciones importantes para la seguridad y el medio ambiente

mentos en recipientes cerrados, ya que existe riesgo de explosión.

- Calentar bebidas con microondas puede hacer que hiervan y salpiquen alrededor una vez que se hayan retirado del horno; por lo tanto, tenga cuidado al sostener los recipientes.
- No use el horno para freír alimentos. El aceite caliente puede dañar los componentes y materiales del horno, y puede incluso causar quemaduras en la piel.
- Pele los alimentos de piel dura, como patatas, calabacines, manzanas y castañas.
- El aparato debe estar ubicado de manera tal que la parte trasera esté mirando hacia la pared.
- Si la puerta o sus juntas han sufrido daños, no utilice el horno hasta que no haya sido reparado por un técnico competente.
- Antes de mover el aparato, asegure el plato giratorio para evitar daños al mismo.
- No utilice su horno microondas para cocinar o calentar huevos que no sean revueltos, con o sin cáscara.
- Nunca quite las piezas en la parte trasera y en los laterales del aparato, ya que protegen las distancias mínimas entre las paredes del armario y el electrodoméstico para permitir la circulación de aire necesaria.
- Este horno microondas se ha diseñado únicamente para su uso integrado.
- No utilice el aparato para otros fines distintos de su uso previsto.
- No lo utilice como una fuente de calor.
- El horno microondas está diseñado únicamente para descongelar, cocinar y guisar alimentos.
- No cocine excesivamente los alimentos, de lo contrario, podría causar un incendio.
- No utilice limpiadores a vapor para limpiar el aparato.
- Se recomienda la máxima precaución cuando se esté

# 1 Instrucciones importantes para la seguridad y el medio ambiente

utilizando cerca de niños o personas con discapacidades físicas, sensoriales o mentales.

- Los niños de ocho o más años y las personas con las capacidades físicas, sensoriales o mentales limitadas o que no tengan los conocimientos y la experiencia necesarios pueden usar este aparato siempre y cuando lo hagan bajo supervisión o bien comprendan las instrucciones de uso seguro del aparato y sus riesgos potenciales. No deje que los niños jueguen con el aparato. Las tareas de limpieza y mantenimiento no deben dejarse en manos de niños a menos que sean supervisados por un adulto.

**¡Peligro de descarga eléctrica!** Mantenga todos los materiales de embalaje alejados de los niños.

- No deje que los niños empleen el horno microondas sin supervisión, a no ser que hayan recibido instrucciones adecuadas sobre su utilización segura y comprendan los riesgos de un

uso inadecuado.

- Debido al calor excesivo que emana en los modos grill y combinado, los niños solo podrán estar autorizados a utilizar estos modos bajo la supervisión de un adulto.
- Mantenga el producto y su cable de alimentación inaccesibles a los niños menores de 8 años.
- Es posible que el aparato y las superficies accesibles estén muy calientes durante el funcionamiento. Mantenga a los niños alejados.

## 1.2 Cumplimiento de la Directiva RAEE y eliminación de residuos.

Este producto no incluye los materiales nocivos y prohibidos especificados en la normativa para la supervisión de los residuos de aparatos eléctricos y electrónicos de desecho (RAEE), promulgada por el Ministerio de Medio Ambiente y Planificación Urbanística. Cumple con la Directiva RAEE.



Este símbolo indica que este producto no debe eliminarse con otros desechos domésticos al final de su vida útil. El dispositivo usado debe ser devuelto al punto de recogida oficial para el reciclaje de los dispositivos eléctricos y electrónicos. Para encontrar estos sistemas de recogida, por favor, póngase en contacto con las autoridades locales o con el distribuidor donde se compró el producto.

# 1 Instrucciones importantes para la seguridad y el medio ambiente

Cada hogar desempeña un papel importante en la recuperación y el reciclaje de los aparatos antiguos. La eliminación adecuada de los aparatos usados ayuda a prevenir las posibles consecuencias negativas para el medio ambiente y la salud humana.

## 1.3 Cumplimiento de la directiva RoHS:

El producto que ha adquirido es conforme con la directiva de la UE sobre la restricción de sustancias peligrosas (RoHS) (2011/65/EU). No contiene ninguno de los materiales nocivos o prohibidos especificados en la directiva.

## 1.4 Información de embalaje

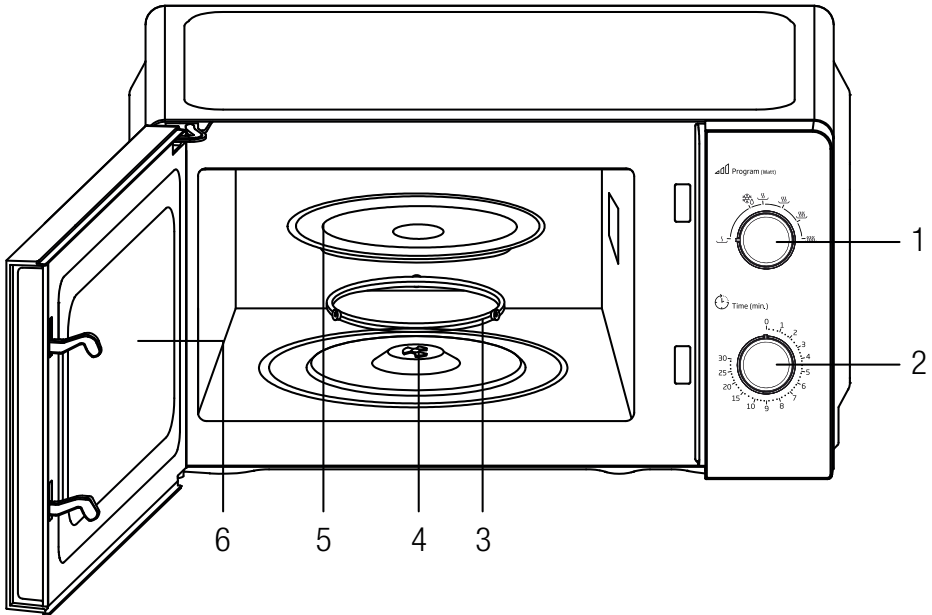


El embalaje del producto está fabricado con material reciclable de acuerdo con las normativas nacionales sobre medio ambiente. No se deshaga del material de embalaje ni de los desechos domésticos o de otro tipo. Llévelos a los puntos de recogida de material de embalaje designados por las autoridades locales.



## 2 Su horno microondas

### 2.1 Descripción general



### Controles y partes

1. Perilla de potencia
2. Perilla de temporizador
3. Anillo de rodillo
4. Eje
5. Bandeja de vidrio
6. Ventana del horno

### 2.2 Datos técnicos

<b>Tensión Nominal</b>	230-240V~,50Hz
<b>Entrada Nominal</b>	1100W (Microondas)
<b>Salida Nominal</b>	700W
<b>Frecuencia de microondas</b>	2450MHz
<b>Nivel de potencia de microondas</b>	6
<b>Dimensiones exteriores (H*W*D) mm</b>	243*446*340 mm
<b>Charola rotatoria de vidrio</b>	245 mm
<b>Capacidad del horno</b>	20 L
<b>Peso neto</b>	10 kg
<b>Color</b>	Blanco / Negro / Plata

Se reservan los derechos de modificación técnica y de diseño.

Las especificaciones del aparato o los valores indicados en otros documentos suministrados con el producto son valores obtenidos en condiciones de laboratorio según las normativas pertinentes. Estos valores pueden variar de acuerdo con el uso del aparato y condiciones ambientales.

## 3 Instalación y conexión

### 3.1 Instalación

1. Compruebe que todo el material de embalaje se ha retirado del interior de la puerta.



**ADVERTENCIA** Controle el horno para ver si hay daños, a saber si la puerta está desalineada o doblada, si las juntas de la puerta y la superficie de sellado están dañadas, si las bisagras y los pestillos de la puerta están rotos o flojos y si hay abolladuras dentro de la cavidad o en la puerta. En caso de daños, no utilice el horno y póngase en contacto con personal de servicio cualificado.

2. Es necesario colocar este horno microondas sobre una superficie plana y estable que soporte su peso y el de los alimentos más pesados que se vayan a cocinar en el horno.
3. No ponga el horno en lugares donde se genere calor, humedad, o cerca de materiales combustibles.
4. El horno debe disponer de una corriente de aire suficiente para su correcto funcionamiento. Deje 20 cm de espacio por encima del horno, 10 cm en la parte trasera y 5 cm en ambos lados. No cubra ni bloquee ninguna de las aberturas del aparato. No quite las patas.
5. No opere el horno sin que la bandeja de vidrio, el soporte de rodillos y el eje estén en sus posiciones correctas.
6. Procure que el cable de alimentación no esté dañado y no pase por debajo del horno ni por ninguna superficie caliente o afilada.
7. Se debe poder acceder fácilmente a la toma de corriente para poder desenchufarla con facilidad en caso de emergencia.
8. No utilice el horno al aire libre.

### 3.2 Interferencia de radio

La operación del horno microondas puede causar interferencias en su radio, TV o equipos similares.

En caso de que se produzcan interferencias, éstas pueden reducirse o eliminarse tomando las siguientes medidas:

1. Limpie la puerta y la superficie de sellado del horno.
2. Cambie la orientación de la antena receptora de radio o televisión.
3. Reubique el horno de microondas con respecto al receptor.
4. Aparte el horno de microondas del receptor.
5. Conecte el horno de microondas a una toma de corriente diferente para que el horno de microondas y el receptor estén en circuitos derivados diferentes.

### 3.3 Principios de cocción con microondas

1. Coloque los alimentos con cuidado. Coloque las zonas más gruesas hacia el exterior del plato.
2. Controle el tiempo de cocción. Cocine durante el menor tiempo indicado y añada más si es necesario. Es posible que los alimentos muy cocidos se ahumen o se enciendan.
3. Cubra los alimentos durante la cocción. Las tapas evitan las salpicaduras y ayudan a que los alimentos se cocinen de manera uniforme.
4. Voltee los alimentos una vez durante la cocción en el microondas para acelerar la cocción de alimentos como el pollo y las hamburguesas. Los alimentos grandes, como los asados, se deben voltear al menos una vez.
5. Cambie el orden de los alimentos, como las albóndigas, a mitad de la cocción, tanto de arriba a abajo como del centro del plato hacia fuera.

### 3.4 Instrucciones de conexión a tierra

Este aparato debe estar conectado a tierra. Este horno está equipado con un cable que tiene un cable de tierra con un enchufe de conexión a tierra. Éste debe conectarse a un tomacorriente que esté instalado y conectado a tierra. En el caso de un

### 3 Instalación y conexión

corto circuito, la conexión a tierra reduce el riesgo de choque eléctrico al proporcionar un cable de escape para la corriente eléctrica. Se recomienda disponer de un circuito separado que sirva sólo al horno. El uso de una tensión elevada es peligroso y puede provocar un incendio u otro accidente que dañe el horno.



**ADVERTENCIA** El uso incorrecto del enchufe de conexión a tierra puede resultar en un riesgo de descarga eléctrica.



En caso de tener alguna duda sobre la conexión a tierra o las instrucciones eléctricas, consulte a un electricista o técnico cualificado.



El fabricante y el distribuidor no se harán responsables de los daños derivados de la no observancia de las instrucciones de conexión eléctrica.

Los hilos del cable principal están coloreados de acuerdo con el siguiente código:

**Verde y Amarillo = TIERRA**

**Azul = NEUTRAL**

**Marrón = TENSIÓN**

#### 3.5 Guía de utensilios

1. Las microondas no pueden penetrar en el metal. Solo use utensilios adecuados para su uso en hornos de microondas. No se permite el uso de recipientes metálicos para alimentos y bebidas en el microondas. El presente requisito no es aplicable si el fabricante especifica el tamaño y la forma de los recipientes metálicos adecuados para la cocción con microondas.
2. Las microondas no pueden penetrar en el metal, por lo que no deben utilizarse utensilios metálicos o platos con adornos metálicos.

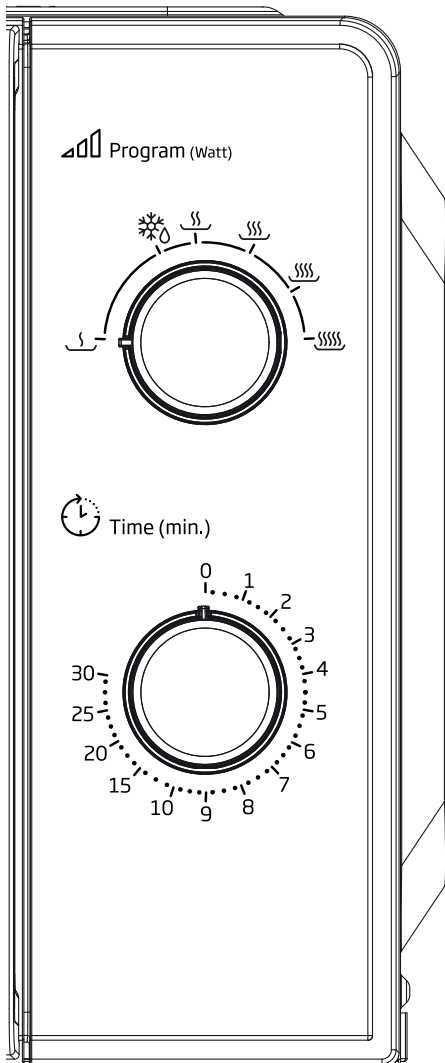
3. No utilice productos de papel reciclado para cocinar en el microondas, puesto que pueden contener pequeños fragmentos de metal que pueden provocar chispas y/o incendios.
4. Es aconsejable utilizar platos redondos u ovalados en lugar de cuadrados u ovalados, ya que los alimentos que se encuentran en las esquinas tienden a cocinarse en exceso.
5. Para evitar la sobrecocción de las zonas expuestas, se pueden utilizar tiras estrechas de papel de aluminio. Sin embargo, procure no utilizar demasiado y mantenga una distancia de 2,54 cm entre el papel de aluminio y la cavidad.

La siguiente lista es una guía general para ayudarle a seleccionar los utensilios correctos.

Utensilio de cocción	Microondas
Vidrio Resistente al Calor	Sí
Vidrio No Resistente al Calor	No
Cerámicos Resistentes al Calor	Sí
Plato de Plástico Apto para Microondas	Sí
Papel de Cocción	Sí
Bandeja de Metal	No
Estante de Metal	No
Papel de Aluminio y Envases de Papel de Aluminio	No

## 4 Funcionamiento

### 4.1 Panel de control



En el panel de control hay dos mandos de función. Uno es la perilla del temporizador y el otro es la de potencia.

#### Perilla de potencia

Mediante la perilla de potencia se elige un nivel de potencia de cocción. Se trata del primer paso para iniciar una sesión de cocción.

#### Perilla de temporizador

Permite ajustar visualmente el tiempo de cocción con un simple giro del pulgar para seleccionar el tiempo de cocción deseado hasta 30 minutos por sesión de cocción.

#### Cocinar en el microondas

Si desea cocinar en el microondas, existen seis niveles de potencia entre los que puede elegir el que mejor se adapte a la tarea que vaya a realizar.

El nivel de potencia aumenta al girar la perilla en el sentido de las agujas del reloj. Los niveles de potencia se pueden clasificar de la siguiente manera:

	Salida de potencia	Descripción
1	100%	Alto
2	88%	M. Alto
3	73%	Med
4	52%	M. Bajo
5	42%	Descongelación
6	20%	Bajo

### 4.2 Operación

Para iniciar una sesión de cocción

1. Ponga los alimentos en el horno y cierre la puerta.
2. Gire la perilla de potencia (1) para seleccionar un nivel de potencia.
3. Utilice el botón del temporizador (2) para ajustar el tiempo de cocción



Al girar el temporizador, el horno comienza a cocinar. Cuando seleccione un tiempo inferior a 2 minutos, gire el temporizador más allá de los 2 minutos y luego vuelva al tiempo correcto.

## 4 Funcionamiento



**¡PRECAUCIÓN!** Siempre haga que el temporizador vuelva a la posición cero si los alimentos se retiran del horno antes de que se complete el tiempo de cocción establecido o cuando el horno no esté en uso. Si desea detener el horno durante el proceso de cocción, pulse el botón de apertura de la puerta o abra la puerta por el asa.

## 5 Limpieza y cuidado

### 5.1 Limpieza y cuidado



**ADVERTENCIA** Jamás utilice gasolina, disolventes, limpiadores abrasivos, objetos metálicos o cepillos duros para limpiar el aparato.



**ADVERTENCIA** Nunca sumerja el aparato o su cable de alimentación en agua o en cualquier otro líquido.

1. Antes de hacer la limpieza apague el horno y desconecte el enchufe de la toma de corriente.
2. Espere que el aparato se enfríe completamente.
3. Mantenga el interior del horno limpio. Cuando las manchas de comida o los líquidos derramados se adhieran a las paredes del horno, límpielas con un paño húmedo. Se puede utilizar un detergente suave si el horno se ensucia mucho. Evite el uso de pulverizadores y otros limpiadores agresivos, puesto que éstos pueden manchar, rayar u opacar la superficie de la puerta.
4. Se recomienda limpiar las superficies exteriores con un paño húmedo. Con el fin de prevenir daños en las piezas del interior del horno, no se debe permitir que el agua se filtre en las aberturas de ventilación.
5. Frote a menudo los dos lados de la puerta y el cristal, las juntas de la puerta y las partes cercanas mediante un paño húmedo para eliminar cualquier derrame o salpicadura. No utilice limpiador abrasivo.
6. No se debe usar el limpiador de vapor.
7. No permita que el panel de control se moje. Límpielo con un paño húmedo y suave. Para evitar que el horno se encienda accidentalmente, al limpiar el panel de control, deje la puerta del horno abierta.
8. Si se acumula vapor en el interior o alrededor de la puerta del horno, limpie la puerta con un paño suave. Esto puede ocurrir cuando el horno microondas funciona en condiciones de alta humedad. Y es normal.
9. De vez en cuando es necesario retirar la bandeja de cristal para limpiarla. Lave el plato giratorio de cristal en agua jabonosa tibia o en un lavavajillas.
10. El anillo de rotación del plato giratorio y la base inferior del horno deben limpiarse regularmente para evitar el ruido excesivo. Simplemente frote la superficie inferior del horno con un detergente suave. El anillo de rotación puede lavarse en agua jabonosa suave o en el lavavajillas. Tras retirar el anillo de rodillos del fondo de la cavidad para su limpieza, procure volver a colocarlo en la posición adecuada.
11. Quite los olores de su horno combinando una taza de agua con el jugo y la cáscara de un limón en un recipiente hondo apto para microondas, y caliéntelo durante 5 minutos. Límpiase bien y séquese con un paño suave.
12. En caso de que sea necesario sustituir la lámpara del horno, consulte a un distribuidor para que la sustituya.
13. El horno debe limpiarse regularmente y cualquier depósito de alimentos debe ser eliminado. Si el horno no se mantiene en buenas condiciones de limpieza, su superficie se puede degradar, afectando así a su vida útil además de suponer una situación de peligro.
14. Por favor, no deseche este aparato en el cubo de la basura doméstica; éste tiene que ser desechado en el centro de eliminación específico previsto por los municipios.
15. Al utilizar por primera vez el horno microondas con función de parrilla, es posible que produzca un ligero humo y olor. Este es un fenómeno normal porque el horno está hecho de una placa de acero recubierta con aceite lubricante, y el horno nuevo producirá humos y olor generados por la combustión del aceite lubricante. Dicho fenómeno se desvanece después de un período de uso.

## 5 Limpieza y cuidado

### 5.2 Almacenamiento

- Si no tiene intención de usar el aparato durante mucho tiempo, por favor, guárdelo con cuidado.
- Por favor, asegúrese de que el aparato esté desenchufado, enfriado y totalmente seco.
- Guarde el aparato en un lugar fresco y seco.
- Mantenga el aparato fuera del alcance de los niños.

### 5.3 Manipulación y transporte

- Durante el manejo y el transporte, lleve el aparato en su embalaje original. El embalaje del aparato lo protege de daños físicos.
- No coloque cargas pesadas sobre el aparato o el embalaje. El aparato puede dañarse.
- Si el aparato se cae, dejará de funcionar o causará daños permanentes.

## 6 Solución de problemas

Problema	Solución posible
Si el horno no se puede funcionar,	Controle si el horno está enchufado fijamente. Si esto no es el caso, desconecte el enchufe de la toma de corriente, espere 10 segundos y vuelva a conectarlo de forma segura.
	Verifique si se ha fundido un fusible o se ha disparado el disyuntor principal. Si éstos aparentemente funcionan bien, pruebe la toma de corriente con otro aparato.
	Verifique que el panel de control esté programado correctamente y que el temporizador esté ajustado.
	Verifique que la puerta esté bien cerrada, enganchando el sistema de bloqueo de seguridad de la misma. En caso contrario, la energía de las microondas no fluirá hacia el horno.
En caso de que nada de lo anterior solucione la situación, póngase en contacto con un técnico cualificado. No intente ajustar o reparar el horno usted mismo.	



## Contacto para asistencia técnica: 902 877 665 / 932 992 581

### CONDICIONES DE GARANTIA - ESPAÑA

El presente certificado cubre la garantía de reparación de su electrodoméstico de gama blanca y PAE (\*) durante el periodo de garantía legal previsto en la ley, a partir de la fecha de venta, contra todo defecto de funcionamiento proveniente de fabricación o materiales; o de sustitución del aparato, salvo que una de estas opciones resulte imposible o desproporcionada respecto de la otra. Cuando usted detecte un defecto o anomalía en el aparato contacte de forma inmediata con nosotros para informarnos de la falta de conformidad. Los pequeños electrodomésticos (PAE) deberán ser entregados en el taller del servicio oficial de la marca para su revisión.

La presente garantía sólo será válida si se presenta factura, ticket de compra o el albarán de entrega correspondiente a la adquisición del producto. La presente garantía es válida en el territorio español y portugués para los aparatos distribuidos por Beko Electronics España S.L.. La garantía sólo tendrá validez sobre el primer comprador o adquirente del producto. La garantía será válida para aquellos aparatos cuya instalación sea correcta y estén ubicados en condiciones climáticas y medioambientales adecuadas para su correcto funcionamiento.

### EXCLUSIONES DE LA GARANTIA

El coste de la reparación será a cargo del usuario en los siguientes casos:

- Los aparatos utilizados para uso profesional o no exclusivamente doméstico.
- Los aparatos desmontados o manipulados por personas ajenas a los servicios técnicos expresamente autorizados.
- Las instalaciones, transporte, sustitución de aparatos, puestas en marcha, cambio de sentido de puertas.
- Intervenciones de mantenimiento o de información sobre el uso de los aparatos.
- Cambio de inyectores en aparatos de gas.
- Las averías provocadas por falta de mantenimiento o limpieza o aquellas provocadas por un uso indebido, sobrecarga, abandono o de manera no conforme a las instrucciones de uso o de instalación de los aparatos.
- Las averías producidas por causas fortuitas, siniestros de fuerza mayor o derivados de instalación incorrecta y en general, averías por causas ajenas al propio aparato.
- Las averías provocadas por conexiones que puedan presentar fluctuaciones, irregularidades o falta de uniformidad en el suministro, por ejemplo: suministro de agua impulsado por grupos de presión, energía solar, energía eólica, generadores eléctricos, u otro tipo de suministro no normalizado.
- La sustitución de materiales rotos o deteriorados por desgaste o uso no normal del aparato, o materiales consumibles tales como: juntas, plásticos, gomas, correas, cristales, escobillas, bombillas, asas, tiradores, tapas de quemadores, filtros, rejillas, ánodos de sacrificio (magnesio o similares) de calentadores o calderas, etc.
- Los aparatos que presenten oxidación, o daños por corrosión en esmaltes o pinturas, que puedan ser provocados por efectos químicos o electroquímicos del agua o cualquier otra sustancia, o aceleradas por circunstancias ambientales o climáticas no propicias.
- Defectos estéticos en serigrafía o pintura.
- Los daños de transporte o manipulación, golpes, etc.
- Los aparatos deben instalarse de forma accesible para su reparación, debiendo asumir el usuario los costes necesarios para el acceso al aparato para su reparación y sustitución.

La presente garantía no afecta a los derechos de que dispone el consumidor conforme a lo previsto en la legislación vigente. El Servicio Oficial de Asistencia Técnica resolverá cualquier incidencia que pudiera precisar su electrodoméstico siempre que el aparato esté instalado de forma accesible.

Para asegurarse que su electrodoméstico va a ser intervenido por un técnico oficial autorizado, rogamos solicite el carnet avalado por ANFEL (Asociación Nacional de Fabricantes de Electrodomésticos) a nuestros técnicos.

Las marcas BEKO y GRUNDIG se distribuyen por Beko Electronics España S.L.

### DATOS APARATO (a rellenar por el Distribuidor):

Titular:		Sello Establecimiento:
Modelo:	Núm. serie:	
Establecimiento:	Fecha de compra:	

**El garante e importador de su electrodoméstico es: BEKO ELECTRONICS ESPAÑA S.L. Calle Provenza nº 388  
3º Barcelona 08025, España.**

Conózanos mejor en nuestra página: [www.beko.com](http://www.beko.com) Conserve este documento, es importante para usted.

(\*) Se consideran electrodomésticos de gama blanca, los aparatos de gran tamaño de cocina, limpieza, refrigeración y ventilación y el pequeño aparato electrodoméstico (PAE) aquellos aparatos de higiene personal, mantenimiento del hogar y preparación de alimentos.



# Molimo, prvo pročitajte ovaj priručnik!


Poštovani,


zahvaljujemo na odabir uređaja tvrtke Beko. Nadamo se da će vas ovaj uređaj koji je proizveden primjenom kvalitetne i najmodernije tehnologije dobro služiti. Zbog toga, molimo pažljivo pročitajte cijeli ovaj korisnički priručnik i ostale priložene dokumente prije korištenja uređaja te ga sačuvajte za buduću upotrebu. Ako uređaj predajete nekom drugom tada im dajte i korisnički priručnik. Pridržavajte se uputa tako da posvetite pažnju svim informacijama i upozorenjima u korisničkom priručniku.


Upamtite da se ovaj korisnički priručnik može odnositi i na druge modele. Razlike između modela izričito su opisane u priručniku.


## Značenje simbola

Sljedeći simboli koriste se u različitim dijelovima ovog korisničkog priručnika:

	Važne informacije i korisni savjeti o upotrebi.
--	---

	Upozorenja o opasnim situacijama vezanim za sigurnost života i imovine.
--	---

	Upozorenje o vrućim površinama.
--	---------------------------------

	Upozorenje na električni udar.
---	--------------------------------



Ovaj uređaj je proizveden u ekološkim postrojenjima bez zagađenja okoliša.

---

# 1 Važne upute za sigurnost i očuvanje okoliša

## **Pažljivo pročitajte ove važne sigurnosne upute i čuvajte ih za buduću uporabu**

### **1.1 Sigurnosna upozorenja**

Ovaj odjeljak sadrži sigurnosne upute koje će vam pomoći zaštititi se od požara, strujnog udara, izlaganju energiji mikrovalova, tjelesnih ozljeda ili oštećenja imovine. Nepridržavanje ovih uputa poništava sva odobrena jamstva.

- Mikrovalne pećnice tvrtke Beko usklađene su s važećim sigurnosnim standardima, stoga, u slučaju bilo kakvog oštećenja uređaja ili strujnog kabela treba ih popraviti ili zamijeniti zastupnik, servis ili stručnjak ili ovlaštenu servisnu kako bi se izbjegla daljnja oštećenja. Neispravan ili nestručan popravak mogu biti opasni i predstavljati opasnost za korisnika.
- Ovaj uređaj namijenjen je uporabiti u kućanstvu te za primjenu u prostorima poput sljedećeg:
  - kuhinja za osoblje, trgovina, ureda i drugih radnih okruženja;
  - farmi;
  - od strane gostiju u hotelima, ili drugim vrstama sličnih uslužnih objekata;
  - u uslužnim objektima poput pansiona.
- Nije dizajniran za primjenu u industriji ili laboratoriju.
- Ne pokušavajte pokrenuti pećnicu kada su joj vrata otvorena; u protivnom možete se izložiti štetnoj energiji mikrovalova. Sigurnosno zaključavanje se ne smije deaktivirati ili mijenjati.
- Mikrovalna pećnica namijenjena je za zagrijavanje hrane i pića. Sušenje hrane i odjeće te grijanje termofora, kućnih papuča, spužvi, vlažnih krpa i slično može izazvati opasnost od ozljede, zapaljenja ili požara.
- Ne stavljajte predmet između prednje strane i vrata pećnice. Ne dozvolite da su u unutrašnjosti pećnice nakupe nečistoća ili ostaci sredstva za čišćenje.
- Bilo koje servisne poslove koji uključuju uklanjanje poklopca koji pruža zaštitu od izlaganja energiji mikrovalova trebaju obaviti ovlaštene osobe/servis.

# 1 Važne upute za sigurnost i očuvanje okoliša

Svaki drugi pristup je opasan.

- Proizvod je namijenjen za kuhanje, zagrijavanje i odmrzavanje hrane u kućanstvima. Ne smije se koristiti za komercijalne namijene.
- Pećnica nije namijenjena sušenju živih bića.
- Ne koristite uređaj za sušenje odjeće ili kuhinjskih krpa.
- Ne koristite uređaj na otvorenom, u kupaonicama, u vlažnom okruženju ili na mjestima gdje se može ovlažiti.
- Ne preuzima se nikakva odgovornost niti jamstvo za štetu nastalu zbog pogrešne primjene ili nepravilnog rukovanja uređajem.
- Nikad ne pokušavajte rastaviti uređaj. Neće se prihvatiti jamstveni zahtjev za štetu nastalu zbog nepravilnog rukovanja.
- Koristite samo originalne dijelove ili dijelove koje je preporučio proizvođač.
- Tijekom upotrebe ne ostavljajte uređaj bez nadzora.
- Uređaj uvijek koristite na stabilnoj, ravnoj, čistoj, suhoj i neklizajućoj površini.
- Uređaj se ne smije koristiti s vanjskim tajmerom sata ili odvojenim sustavom daljinskog upravljanja.
- Prije prve upotrebe uređaja očistite sve dijelove. Pojednosti pogledajte u dijelu "Čišćenje i održavanje".
- Uređaj koristite samo za ono za što je namijenjen kako je opisano u ovom priručniku.
- Uređaj postaje jako vruć tijekom upotrebe. Pripazite i ne dirajte vruće dijelove unutar pećnice.
- Ne rukujte pećnicom kada je prazna.
- Kuhinjski pribor može postati vruć zbog prijenosa topline sa zagrijane hrane na pribor. Možda ćete trebati koristiti kuhinjske rukavice za držanje kuhinjskog pribora.
- Trebate provjeriti kuhinjski pribor i utvrditi smije li se koristiti u mikrovalnoj pećnici.
- Pećnicu ne stavljajte na štednjake ili druge uređaje koji stvaraju toplinu. U protivnom to ih

# 1 Važne upute za sigurnost i očuvanje okoliša

- može oštetiti i poništiti jamstvo.
- Para može izaći kada otvarate poklopce ili podižete foliju nakon kuhanja hrane.
  - Uređaj i njegova dostupna površina mogu postati vrlo vrući kada se uređaj koristi.
  - Vrata i vanjsko staklo mogu postati jako vrući kada se uređaj koristi.
  - Pripazite da napajanje iz strujne mreže odgovara informacijama navedenim na nazivnoj ploči uređaja.
  - Jedini način za odspajanje uređaja iz strujnog napajanja je iskopčavanje strujnog utikača iz strujne utičnice.
  - Uređaj koristite samo s uzemljenom utičnicom.
  - Nikada ne koristite uređaj ako su kabel za napajanje ili sam uređaj oštećeni.
  - Uređaj ne koristite s produžnim kabelom.
  - Nikad ne dirajte uređaj ili utikač s vlažnim ili mokrim rukama.
  - Uređaj postavite tako da je utikač uvijek dostupan.
  - Spriječite oštećenje strujnog kabela tako što ga nećete gnječiti, savijati i trljati o oštre rubove. Strujni kabel držite podalje od vrućih površina i otvorenog plamena.
  - Pripazite da ne postoji opasnost po strujni kabel tako da ga se slučajno povuče ili da se netko spotakne preko njega dok uređaj radi.
  - Isključite uređaj iz napajanja prije svakog čišćenja i kada uređaj ne koristite.
  - Ne povlačite strujni kabel uređaja kako biste ga iskopčali iz strujnog napajanja i nikad nemojte omotavati strujni kabel oko uređaja.
  - Ne uranjajte uređaj, strujni kabel ili utikač u vodu ili druge tekućine. Ne držite ga pod tekućom vodom.
  - Ako zagrijevate hranu koja je u plastičnim ili papirnatim posudama, pripazite na pećnicu jer se posude mogu zapaliti.
  - Prije stavljanja u pećnicu papirnatih ili plastičnih vrećica uklonite s njih vezice za vezivanje i/

# 1 Važne upute za sigurnost i očuvanje okoliša

ili metalne ručke.

- Ako primijetite dim, isključite uređaj ili ga odspojite iz strujne utičnice i držite vrata zatvorena kako bi se obuzdao plamen.
- Mikrovalnu pećnicu ne koristite kao prostor za čuvanje/odlaganje stvari. Kada se pećnica ne koristi ne ostavljajte u njoj predmete od papira, kuhinjski pribor ili namirnice.
- Radi izbjegavanja opeklina sadržaj bočica za hranjenje i dječje hrane u staklenkama treba se promiješati ili promućkati, a temperatura se treba provjeriti prije konzumacije.
- Ovaj uređaj pripada u skupinu 2 razred B ISM opreme. Skupina 2 sadrži svu ISM (Industrial, Scientific and Medical - industrijsku, znanstvenu i medicinsku) opremu u kojoj se namjerno stvara radijsko-frekvencijska energija i/ili se koristi u obliku elektromagnetskog zračenja za obradu materijala i elektroerozijske opreme.
- Oprema razreda B prikladna je za primjenu u domaćinstvima

i ustanovama koje su izravno spojene na niskonaponsku električnu mrežu.

- U pećnici ne koristite ulje za kuhanje. Vrelo ulje može oštetiti dijelove i materijale pećnice te može čak izazvati i opekline.
- Probodite hranu s debljom korom poput krumpira, tikvica, jabuka ili kestena.
- Uređaj postavite tako da je stražnja strana okrenuta prema zidu.
- Prije pomicanja uređaja učvrstite okretni dio i tako spriječite štetu.
- Jaja u ljusci, cijela tvrdo kuhana jaja ne trebaju se zagrijavati u mikrovalnim pećnicama jer mogu eksplodirati, čak i kad završi postupak zagrijavanja u mikrovalnoj pećnici.

**UPOZORENJE:** Ako su vrata ili brtva na vratima oštećeni tada se pećnica ne smije koristiti dok je ne popravi kvalificirana osoba.

**UPOZORENJE:** Opasno je za svakog, osim za stručne osobe, izvršiti servis ili popravak koji uključuje skidanje poklopca koji

# 1 Važne upute za sigurnost i očuvanje okoliša

pruža zaštitu od izlaganja energiji mikrovalova.

**UPOZORENJE:** Tekućine i druga hrana moraju se zagrijavati u zatvorenim posudama jer mogu eksplodirati.

- Pećnicu treba redovito čistiti i uklanjati ostatke hrane.
- Trebate ostaviti minimalno 20 cm razmaka iznad gornje površine pećnice.
- Nemojte prekuhati hranu, jer u protivnom možete izazvati požar.
- Za čišćenje uređaja ne koristite kemikalije i parne čistače.
- Preporučuje se izniman oprez kada se uređaj koristi u blizini djece i osobe sa smanjenim tjelesnim, osjetilnim ili metalnim sposobnostima.
- Ova uređaj mogu koristiti djeca starija od 8 godina te osobe sa smanjenim sa smanjenim tjelesnim, osjetilnim ili mentalnim sposobnostima ili s nedostatnim iskustvom i znanjem ako su pod nadzorom i ako su dobile potrebne upute za rad s uređajem na siguran način te ako razumiju moguće opasnosti. Djeca

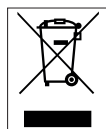
se ne smiju igrati s uređajem. Postupke čišćenja i korisničkog održavanja ne smiju obavljati djeca, osim ako nisu pod nadzorom.

- **Opasnost od gušenja!** Svu ambalažu držite izvan dohvata djece.
- Zbog pretjerane topline koja proizlazi iz načina rada roštilja ili kombiniranog načina rada djeci se treba dozvoliti korištenje tih načina rada samo pod nadzorom odrasle osobe.
- Proizvod i strujni kabel čuvajte tako da ih ne mogu dohvatiti djeca mlađa od 8 godina.
- Ne kuhajte hranu izravno na staklenom pladnju. Hranu stavite u/na odgovarajuće kuhinjsko posuđe prije stavljanja u pećnicu.
- Metalne posude za hranu i piće ne smiju se koristiti za vrijeme kuhanja u mikrovalnoj pećnici. U protivnom, može doći do iskrenja.
- Ovaj proizvod nije dizajniran za ugradnju. Nemojte stavljati proizvod u ormar ili kutiju dok je u uporabi.

# 1 Važne upute za sigurnost i očuvanje okoliša

## 1.2 Sukladnost s Direktivom o gospodarenju otpadnim električnim i elektroničkim uređajima i opremom (WEEE Directive) i zbrinjavanje iskorištenog proizvoda:

Ovaj proizvod usklađen je s WEEE direktivom EZ (2012/19/EZ). Ovaj proizvod nosi klasifikacijsku oznaku za električni i elektronski otpad (WEEE).



Ovaj simbol označava da ovaj proizvod ne treba odlagati s ostalim otpadom iz kućanstva na kraju vijeka uporabe.

Rabljeni uređaj mora se vratiti u službeno zbirno mjesto za recikliranje električnih i elektronskih uređaja. Da biste pronašli mjesta za zbrinjavanje kontaktirajte lokalne vlasti ili prodavača od kojeg ste kupili proizvod. Sva kućanstvo igra važnu ulogu u uporabi i reciklaži iskorištenih uređaja. Odgovarajući zbrinjavanje iskorištenih proizvoda pomaže spriječiti potencijalne negativne posljedice za okoliš i ljudsko zdravlje.

## 1.3 Usklađenost sa RoHS direktivom:

Ovaj proizvod je sukladan Direktivi EU o ograničavanju opasnih tvari (RoHS Directive) (2011/65/EU). Proizvod ne sadrži štetne i zabranjene materijale koji su specificirani u Direktivi.

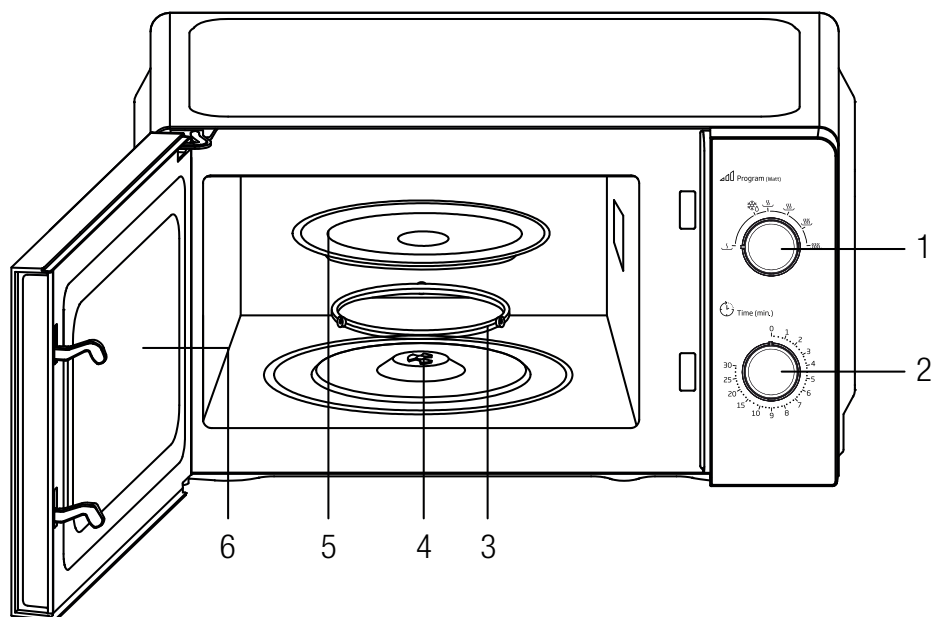
## 1.4. Informacije o pakiranju



Ambalažni materijal proizvoda proizveden je od recikliranih materijala u skladu s nacionalnim odredbama o zaštiti okoliša. Ambalažni materijal ne zbrinjajte zajedno s kućanskim i drugim otpadom. Odnosite ga u sabirne centre za ambalažni materijal određene od strane tijela lokalnih vlasti.

## 2 Mikrovalna pećnica

### 2.1 Pregled



### Kontrole i dijelovi

1. Okretni gumb za uključivanje/isključivanje
2. Okretni gumb tajmera
3. Prsten okretnog dijela
4. Osovina
5. Stakleni pladanj
6. Prozor pećnice

### 2.2 Tehnički podaci

<b>Nazivni napon</b>	230-240V~,50Hz
<b>Nazivna ulazna snaga</b>	1100W (mikrovalovi)
<b>Nazivna izlazna snaga</b>	700W
<b>Frekvencija mikrovalova</b>	2450MHz
<b>Razina snage mikrovalova</b>	6
<b>Vanjske dimenzije (V*S*D) mm</b>	243*446*340 mm
<b>Stakleni okretni dio</b>	245 mm
<b>Kapacitet pećnice</b>	20 L
<b>Neto težina</b>	10 kg
<b>Boja:</b>	Bijela / crna/ srebrna

Zadržana supravna izmjenu tehničkih specifikacija i dizajna.

Oznake na uređaju ili navedene vrijednosti u drugim dokumentima dostavljenima s proizvodom su vrijednosti dobivene u laboratorijskim uvjetima u skladu s važećim standardima. Ove vrijednosti mogu se razlikovati ovisno o upotrebi uređaja i uvjetima u okruženju.



## 3 Instalacija i priključivanje

### 3.1 Instalacija

1. Pripazite je li sav ambalažni materijal uklonjen s unutrašnje strane vrata.



**UPOZORENJE:** Provjerite je li pećnica oštećena, je su li vrata krivo poravnata ili savinuta, je su li oštećene brtve na vratima ili njihova površina, je su li slomljene ili opuštene šarke na vratima i reze te postoje li udubljenja u otvoru ili na vratima pećnice. Ako postoje oštećenja, ne rukujte pećnicom te kontaktirajte kvalificirano osoblje servisa.

2. Ovu mikrovalnu pećnicu trebate postaviti na ravnu, stabilnu površinu kako bi izdržala svoju težinu i najtežu hranu koja će se vjerojatno kuhati u pećnici.
3. Ne postavljajte pećnicu kada se generira toplina, vlaga ili visoka vlažnost ili pored zapaljivih materijala.
4. Za ispravan rad, pećnica treba imati dovoljan protok zraka. Omogućite razmak od 20 cm iznad pećnice, 10 cm iza te 5 cm sa strane. Ne pokrivajte i ne blokirajte otvore na uređaju. Ne uklanjajte nožice.
5. Ne rukujte pećnicom bez staklenog pladnja, nosivog valjka i osovine u ispravnom položaju.
6. Pripazite strujni kabel ne smije biti oštećen te ne smije prolaziti ispod pećnice ili preko bilo kakve vruće ili oštre površine.
7. Utičnica mora biti lako dostupna tako da se uređaj može lako iskopčati u hitnom slučaju.
8. Ne koristite pećnicu na otvorenom.

### 3.2 Radijske smetnje

Rad mikrovalne pećnice može izazvati smetnje u prijemu signala radio-uređaja, televizora ili slične opreme.

Kada se pojave smetnje, one se mogu smanjiti ili ukloniti poduzimanjem sljedećih mjera:

1. Očistite vrata i površinu brtvi pećnice.

2. Promijenite smjer primanja signala antene radio-uređaja ili televizora.
3. Premjestite mikrovalnu pećnicu ovisno o prijemu.
4. Udaljite mikrovalnu pećnicu dalje od prijemnika.
5. Ukopčajte mikrovalnu pećnicu u drugu utičnicu tako da mikrovalna pećnica i prijemnik budu uključeni u različite dijelove strujnog kruga.

### 3.3 Načela kuhanja u mikrovalnoj pećnici

1. Pažljivo razmjestite hranu. Deblje dijelove stavite prema vanjskom dijelu posude za kuhanje.
2. Pazite na vrijeme kuhanja. Kuhajte što je kraće moguće od naznačenih vremena te ako je potrebno produžite vrijeme kuhanja. Hrana koja je pretjerano prekuhana može se dimiti ili zapaliti.
3. Za vrijeme kuhanja prekriti hranu. Poklopci sprječavanju prolijevanje hrane i omogućuju ravnomjerno kuhanje hrane.
4. Tijekom kuhanja u mikrovalnoj pećnici hranu okrenite jedanput i tako ubrzajte kuhanje, npr. piletine ili hamburgera. Veliki komadi poput pečenja moraju se okrenuti barem jedanput.
5. Preraspodijelite hranu poput mesnih okruglica kada prođe pola vremena kuhanja od vrha prema dnu i od središta posude prema van.

### 3.4 Upute za uzemljenje

Ovaj uređaj mora se uzemljiti. Ova pećnica opremljena je s kabelom koji ima žicu za uzemljenje s uzemljenim utikačem. On se mora ukopčati u zidnu utičnicu koja je ispravno instalirana i uzemljena. U slučaju kratkog spoja, uzemljenje smanjuje opasnost od strujnog udara omogućavajući protok električne energije kroz žicu za njen odvod. Preporučuje se instalirati zasebni strujni krug samo za pećnicu. Upotreba visokog napona je opasna i može rezultirati požarom ili drugim nezgodama i oštetiti pećnicu.

## 3 Instalacija i priključivanje



**UPOZORENJE:** Neispravna upotreba uzemljenog utikača može izazvati opasnost od strujnog udara.



Ako imate bilo kakvih pitanja u vezi s uzemljenjem ili uputama u vezi električnih instalacija, tada se posavjetujte s kvalificiranim električarom ili osobljem servisa.



Ni proizvođač ni zastupnik ne prihvaćaju odgovornost za oštećenja pećnice niti za tjelesne ozljede koje su nastale kao rezultat ne pridržavanja postupaka prilikom priključivanja na električnu mrežu.

Žice u ovom strujnom kabelu obojane su u skladu sa sljedećim pravilom:

**Zelena i žuta = UZEMLJENJE**

**Plava = NEUTRALNA (tzv. nula)**

**Smeđa = POD NAPONOM**

### 3.5. Vodič za kuhinjski pribor

1. Mikrovalovi ne mogu prodrjeti kroz metal. Koristite samo kuhinjsko posuđe koje je prikladno za korištenje u mikrovalnim pećnicama. Metalne posude za hranu i piće ne smiju se koristiti za vrijeme kuhanja u mikrovalnoj pećnici. Ovaj zahtjev ne primjenjuje se ako proizvođač izričito navodi veličinu i oblik metalnih posuda prikladnih za kuhanje u mikrovalnoj pećnici.
2. Mikrovalovi ne mogu prodrjeti kroz metal, stoga se metalni kuhinjski pribor ili posuđe s metalnim obrubom ne smije koristiti.
3. Ne koristite proizvode od recikliranog papira prilikom kuhanje u mikrovalnoj pećnici, jer oni mogu sadržavati male komadiće metala što može izazvati iskrenje i/ili požar.
4. Preporučuju se okrugle/ovalne posude za kuhanje u odnosu na kvadratne/duguljaste, jer se hrana u kutovima obično prekuha.

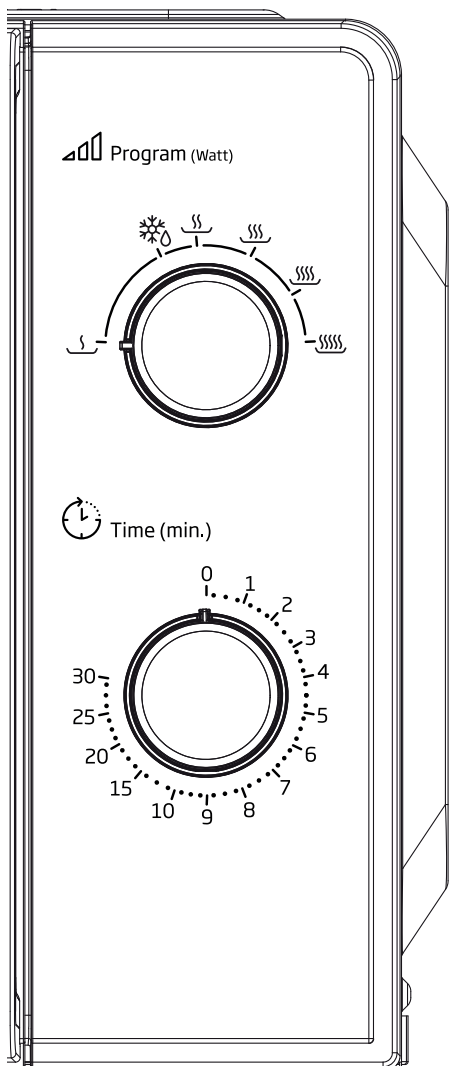
5. Uske trake aluminijske folije mogu se koristiti kako bi se spriječilo prekuhavanje izloženih dijelova. Ali, budite pažljivi i ne koristite ih previše te održavajte udaljenost od 1 inča (2,54 cm) između folije i otvora pećnice.

Popis u nastavku je općeniti vodič koji će vam pomoći u odabiru odgovarajućeg kuhinjskog pribora.

Kuhinjsko posuđe	Mikrovalna
Vatrostalno staklo	Da
Staklo koje nije otporno na toplinu	Ne
Vatrostalna keramika	Da
Plastično posuđe koje se sigurno može koristiti u mikrovalnoj pećnici	Da
Kuhinjski papir	Da
Metalna posuda	Ne
Metalna rešetka	Ne
Aluminijska folija i posude od folije	Ne

## 4 Rukovanje

### 4.1 Upravljačka ploča



Upravljačka ploča sastoji se od dva upravljačka gumba. Jedan je okretni gumb tajmera, a drugi snage.

#### Okretni gumb snage

Ovaj okretni gumb snage koristite za odabir razine snage kuhanja. To je prvi korak prilikom kuhanja.

#### Okretni gumb tajmera

On ima vizualne postavke vremena te prstom možete jednostavno odabrati željeno vrijeme kuhanja do 30 minuta po jednom kuhanju.

#### Kuhanje u mikrovalnoj pećnici

Samo za kuhanje u mikrovalnoj pećnici, postoje šest razina snage koje možete odabrati onu koja najbolje odgovara u određenom trenutku.

Razina snage povećava se kada okretni gumb okrećete u smjeru kazaljke na satu. Razine snage mogu se klasificirati kako slijedi:

	Izlazna snaga	Opis
1	100%	Jako
2	88%	Srednje jako
3	73%	Srednje
4	52%	Srednje slabo
5	42%	Odmrzavanje
6	20%	Slabo

### 4.2 Rukovanje

Za početak kuhanja.

1. Stavite hranu u pećnicu i zatvorite vrata.
2. Okrenite gumb snage (1) i odaberite razinu snage.
3. Pomoću okretnog gumba tajmera (2) podesite vrijeme kuhanja



Čim se okretni gumb tajmera okrene mikrovalna pećnica počinje s kuhanjem/pečenjem. Ako odaberete vrijeme kraće od 2 minute, okrenite tajmera više od 2 minute i zatim se vratite na točno vrijeme.

## 4 Rukovanje



**OPREZ:** Uvijek vratite tajmer na nul-tni (početni) položaj, ako se hrana vadi iz pećnice prije završetka pode-šenog vremena kuhanja ili kada se pećnica ne koristi. Za zaustavljanje pećnice tijekom postupka kuhanja, gurnite gumb za otpuštanje vrata ili otvorite vrata koristeći ručku.

## 5 Čišćenje i održavanje

### 5.1 Čišćenje i održavanje



**UPOZORENJE:** Za čišćenje uređaja nikad ne koristite benzin, otapala, abrazivna sredstva za čišćenje, metalne predmete i tvrde četke.



**UPOZORENJE:** Nikad ne uranjajte uređaj ili strujni kabel u vodu ili druge tekućine.

1. Isključite pećnicu i iskopčajte strujni utikač iz strujne utičnice prije čišćenja.
2. Pustite da se uređaj ohladi do kraja.
3. Održavajte unutrašnjost pećnice čistom. Kada se hrana poprska ili se tekućina prolje i zalijepi za stijenke pećnice obrišite ih s vlažnom krpom. Blagi deterdžent može se koristiti ako se pećnica jako zaprlja. Izbjegavajte koristiti sprejeve i druga gruba sredstva za čišćenje, jer oni mogu ostaviti mrlje, tragove ili ukloniti sjaj s površine vrata.
4. Vanjske površine treba očistiti vlažnom krpom. Spriječite oštećenje radnih dijelova unutar pećnice i ne dozvolite prodor vode kroz ventilacijske otvore.
5. Često brišite obje strane vrata i prozora, brtve na vratima i susjedne dijelove vlažnom krpom i uklonite prolivenu tekućinu i poprskanu hranu. Ne koristite abrazivna sredstva za čišćenje.
6. Ne se koristiti uređaj za parno čišćenje.
7. Ne dozvolite da upravljačka ploča dođe u dodir s vodom. Očistite mekanom, vlažnom krpom. Prilikom čišćenja upravljačke ploče, ostavite vrata pećnice otvorena i tako spriječite da se pećnica slučajno prevrne.
8. Ako se unutar pećnice nakupi para ili oko vanjskog dijela vrata pećnice, tada je obrišite mekanom krpom. Ovo se može dogoditi kada mikrovalna pećnica radi u uvjetima velike vlažnosti. To je normalno.
9. Povremeno je potrebno ukloniti stakleni pladanj zbog čišćenja. Operite pladanj toplom, pjenušavom vodom ili u perilici posuđa.
10. Prsten okretnog dijela i donja unutarnja stijenka pećnice trebaju se redovito čistiti kako bi se izbjegla pretjerana buka. Jednostavno prebrišite donju površinu pećnice s blagim deterdžentom. Prsten okretnog dijela može se oprati u blagoj, pjenušavoj vodi ili perilici posuđa. Prilikom uklanjanja prstena okretnog dijela s donje stijenke u unutrašnjosti pećnice zbog čišćenja, pripazite i vratite ga u ispravan položaj.
11. Neugodne mirise iz pećnice uklonite kombinacijom jedne šalice vode te soka i kore jednog limuna koje ćete staviti u duboku zdjelu koja se može koristiti u mikrovalnoj pećnici, i ostaviti ih u uključenoj mikrovalnoj pećnici na 5 minuta. Dobro obrišite i osušite s mekanom krpom.
12. Kada bude potrebno zamijeniti svijetlo u pećnici, tada se posavjetujte s zastupnikom.
13. Pećnicu treba redovito čistiti i uklanjati ostatke hrane. Ako pećnicu ne održavate čistom to može izazvati propadanje površine što može značajno utjecati na radni vijek uređaja te može rezultirati opasnim situacijama.
14. Ne bacajte uređaj u kantu za komunalni otpad; uređaj se treba zbrinuti u posebnim sabirnim centrima koji su organizirani u općinama.
15. Kada se prvi put koristi mikrovalna pećnica s funkcijom roštilja, ona tada može ispustiti dim i neugodan miris. To je normalna pojava, jer je pećnica izrađena od čelične ploče premazane s uljem za podmazivanje, a nova pećnica ispustiti će dim i neugodan miris nastalo zbog izgaranja ulja za podmazivanje. Ova pojava nestat će tijekom upotrebe.

## 5 Čišćenje i održavanje

### 5.2 Pohrana

- Ako uređaj ne namjeravate koristiti duže vrijeme, pažljivo ga pohranite.
- Pripazite je li uređaj iskopčan iz strujne utičnice, je li se ohladi i je li potpuno suh.
- Uređaj čuvajte na hladnom i suhom mjestu.
- Uređaj držite izvan dohvata djece

### 5.3 Rukovanje i transport

- Za vrijeme rukovanja i transporta nosite uređaj u njegovom originalnom pakiranju. Pakiranje štiti uređaj od fizičkih oštećenja.
- Ne stavljajte teške predmete na uređaj ili pakiranje. Uređaj se može oštetiti.
- Ako ispustite uređaj to može učiniti neupotreblijivim ili izazvati trajno oštećenje.

## 6 Rješavanje problema

Problem	Moguće rješenje
Ako pećnica ne radi	Provjerite je li pećnica ispravno ukopčana u strujnu utičnicu. Ako nije, izvucite utikač iz strujne utičnice, pričekajte 10 sekundi i ponovno ga ukopčajte na siguran način.
	Provjerite je li osigurač pregorio ili se glavna strujna sklopka isključila. Ako oni rade ispravno, tada ispitajte utičnicu ukopčavanjem drugog uređaja.
	Provjerite je li upravljačka ploča ispravno programirana i je li tajmer podešen.
	Provjerite jesu li vrata dobro zatvorena aktiviranjem sigurnosnog zaključavanja vrata. U protivnom, energija mikrovalova može izaći iz pećnice.
Ako ništa od gore navedenog nije riješilo problem, tada kontaktirajte kvalificiranog tehničara. Ne pokušavajte sami prilagoditi ili popraviti pećnicu.	

# Nejprve si přečtěte tento návod k použití!

Vážený zákazníku,

Děkujeme, že jste si vybrali tento produkt značky Beko. Doufáme, že s tímto spotřebičem, který byl vyroben s využitím vysoce kvalitní a moderní technologie, dosáhnete těch nejlepších výsledků. Z tohoto důvodu si před použitím spotřebiče pečlivě přečtěte celý návod k použití a jakékoli doplňující dokumenty a uchovejte je pro budoucí použití. Pokud spotřebič předáte další osobě, rovněž jí předejte návod k použití. Dodržujte pokyny a věnujte pozornost všem informacím a varováním uvedeným v návodu k použití.

Nezapomeňte, že se tento návod může vztahovat i k několika jiným modelům. Rozdíly mezi modely jsou v návodu výslovně popsány.

## Význam symbolů

V různých částech tohoto návodu k použití jsou použity následující symboly:

	Důležité informace o užitečných tipech k použití.
	Upozornění na nebezpečné situace týkající se ohrožení života a majetku.
	Upozornění na horké povrchy.
	Varování před úrazem elektrickým proudem.



Tento spotřebič byl vyroben v ekologicky šetrných a moderních zařízeních bez negativního dopadu na životní prostředí.

---

# 1 Důležité bezpečnostní pokyny a pokyny týkající se životního prostředí

## Důležité bezpečnostní pokyny Pečlivě přečtěte a uschovejte pro budoucí použití

### 1.1 Bezpečnostní varování

Tato část obsahuje bezpečnostní pokyny, které vám pomohou chránit se před rizikem požáru, úrazu elektrickým proudem, vystavení úniku mikrovlnné energie, zranění osob nebo škod na majetku. Nedodržení těchto pokynů má za následek neplatnost záruky.

- Mikrovlnné trouby Beko splňují příslušné bezpečnostní normy. V případě jakéhokoli poškození spotřebiče nebo napájecího kabelu je třeba svěřit opravu nebo výměnu prodejci, servisnímu středisku nebo odborníkovi a autorizovanému servisu, aby se zabránilo jakémukoli nebezpečí. Nesprávná nebo nekvalifikovaná oprava může být nebezpečná a představuje riziko pro uživatele.
- Toto zařízení je určeno pro použití v domácnosti a v podobných podmínkách, jako jsou například:
  - Kuchyně pro zaměstnance v obchodech, kancelářích a jiných pracovních prostředích
  - Domy na farmách
  - Pro potřeby zákazníků v hotelech a jiných typech ubytovacích zařízení;
  - V ubytovnách a hostelech.
- Výrobek není určen pro průmyslové nebo laboratorní použití.
- Nepokoušejte se troubu spustit, když jsou její dvířka otevřená; jinak byste mohli být vystaveni škodlivé mikrovlnné energii. Bezpečnostní zámky nevyřazujte, ani s nimi neoprávněně nemanipulujte.
- Mikrovlnná trouba je určena k ohřevu jídel a nápojů. Sušení jídla nebo oděvů a ohřívání ohřívacích podložek, pantoflí, houbiček, vlhkých hadříků apod. může vyvolat riziko zranění, vznícení nebo požáru.
- Mezi přední stranu a dvířka trouby nekládejte žádné předměty. Dbejte na to, aby se na uzavíracích plochách nehromadily zbytky nečistot nebo čisti-



# 1 Důležité bezpečnostní pokyny a pokyny týkající se životního prostředí

cích prostředků.

- Jakékoli servisní práce zahrnující odstranění krytu, který poskytuje ochranu před vystavením mikrovlnné energii, musí provádět autorizované osoby nebo servis. Jakýkoli jiný přístup je nebezpečný.
- Váš výrobek je určen k vaření, ohřívání a rozmrazování potravin v domácnosti. Nesmí se používat ke komerčním účelům.
- Vaše trouba není určena k sušení jakýchkoli živých bytostí.
- Nepoužívejte váš spotřebič k sušení oděvů ani kuchyňských utěrek.
- Nepoužívejte tento spotřebič venku, v koupelně, ve vlhkém prostředí ani na místech, kde by se mohl namočit.
- Za škody vzniklé v důsledku nesprávného použití nebo nesprávného zacházení se zařízením neneseme žádnou odpovědnost ani neposkytujeme záruku.
- Nikdy se nepokoušejte spotřebič demontovat. Za škody způsobené nesprávnou manipulací se neakceptují žádné nároky na záruku.
- Používejte pouze originální díly nebo části doporučené výrobcem.
- Pokud je spotřebič v provozu, nenechávejte jej bez dozoru.
- Spotřebič používejte vždy na stabilním, rovném, čistém, suchém a neklouzavém povrchu.
- Spotřebič by se neměl ovládat externím časovačem nebo samostatným systémem dálkového ovládání.
- Před prvním použitím spotřebiče očistěte všechny součásti. Přečtěte si podrobnosti uvedené v části „Čištění a údržba“.
- Provozujte spotřebič pouze pro účely, ke kterým je určen, jak je popsáno v tomto návodu.
- Spotřebič se během používání velmi zahřívá. Dbejte na opatrnost, abyste se nedotýkali horkých částí uvnitř trouby.
- Nepoužívejte troubu prázdnou.
- Kuchyňské nádobí se může zahřát přenosem tepla z ohřátých

# 1 Důležité bezpečnostní pokyny a pokyny týkající se životního prostředí

potravin na nádobí. Na uchopení nádobí možná budete potřebovat kuchyňské chňapky.

- Nádobí je třeba zkontrolovat, zda je vhodné pro použití v mikrovlnných troubách.
- Nepokládejte troubu na kamna ani na jiná zařízení vytvářející teplo. Jinak může dojít k poškození a ztrátě záruky.
- Po otevření pokrmů nebo fólie může po vaření z jídla vycházet pára.
- Spotřebič a jeho přístupné povrchy mohou být při používání velmi horké.
- Dvířka a vnější sklo mohou být při používání spotřebiče velmi horké.
- Ujistěte se, že vaše síťové napájení odpovídá údajům uvedeným na typovém štítku spotřebiče.
- Jediný způsob, jak odpojit spotřebič od napájení, je vytáhnout zástrčku ze zásuvky.
- Spotřebič používejte pouze s uzemněnou zásuvkou.
- Nikdy nepoužívejte tento spotřebič, pokud je napájecí kabel nebo samotný spotřebič poškozen.
- Nepoužívejte tento spotřebič s prodlužovacím kabelem.
- Nikdy se nedotýkejte spotřebiče ani jeho zástrčky vlhkýma nebo mokřýma rukama.
- Umístěte spotřebič tak, aby zástrčka byla vždy přístupná.
- Chcete-li zabránit poškození napájecího kabelu, nedovolte aby došlo k jeho sevření, ohnutí nebo odírání na ostrých hranách. Udržujte napájecí kabel mimo dosah horkých povrchů a otevřeného ohně.
- Zamezte riziku náhodného vytažení napájecího kabelu nebo zakopnutí o napájecí kabel při používání spotřebiče.
- Před každým čištěním a pokud se spotřebič nepoužívá, jej odpojte ze zásuvky.
- Při odpojování zařízení od zdroje napájení netahejte za napájecí kabel, a nikdy kabel neomotávejte kolem zařízení.
- Neponořujte zařízení, napájecí

# 1 Důležité bezpečnostní pokyny a pokyny týkající se životního prostředí

kabel ani zástrčku do vody ani do jiných tekutin. Nedržte kabel pod tekoucí vodou.

- Při ohřívání potravin v plastových nebo papírových nádobách dávejte pozor na troubu kvůli riziku vznícení.
- Před vložením sáčků do trouby odstraňte drátěné šňůry a / nebo kovové úchyty papírových nebo plastových sáčků.
- Pokud vidíte kouř, vypněte nebo odpojte spotřebič, pokud je to bezpečné, a nechte dvířka zavřená, aby se udusily případné plameny.
- Nepoužívejte mikrovlnnou troubu ke skladování. Když troubu nepoužíváte, nenechávejte v ní papírové předměty, kuchyňský materiál ani jídlo.
- Obsah krmicích lahví a nádob s dětskou výživou je třeba před konzumací promíchat nebo protřepat a zkontrolovat teplotu, aby nedošlo k popálení.
- Tento spotřebič je klasifikován jako zařízení ISM skupiny 2, třídy B. Skupina 2 obsahuje všechna zařízení ISM (Industrial, Scientific, Medical) (průmyslová, vědecká a lékařská), ve kterých se vysokofrekvenční energie záměrně generuje a / nebo používá ve formě elektromagnetického záření za účelem zpracování materiálu, a dále zařízení na jiskrové řezání.
- Zařízení třídy B je vhodné pro použití v domácích instalacích a v instalacích přímo připojených k nízkonapěťové napájecí síti.
- V troubě nepoužívejte kuchyňský olej. Horký olej může poškodit součásti a materiály trouby, a dokonce může způsobit popáleniny kůže.
- Jídlo se silnou slupkou, jako jsou brambory, cukety, jablka a kaštiny, propíchněte.
- Spotřebič musí být umístěn tak, aby zadní strana směřovala ke zdi.
- Před přemístěním spotřebiče zajistěte otočný talíř, aby nedošlo k jeho poškození.
- Vejce ve skořápce a celá natvrdo uvařená vejce se v mikrovlnné

# 1 Důležité bezpečnostní pokyny a pokyny týkající se životního prostředí

troubě nesmí ohřívat, protože mohou explodovat, a to i po ukončení mikrovlnného ohřevu.

**VAROVÁNÍ:** Pokud jsou dvířka nebo těsnění dvířek poškozené, trouba se nesmí používat, dokud ji neopraví kvalifikovaná osoba.

**VAROVÁNÍ:** Pro kohokoli jiného, než kompetentní osobu, je nebezpečné provádět jakékoli servisní nebo opravářské činnosti zahrnující odstranění krytu, který poskytuje ochranu před působením mikrovlnné energie.

**VAROVÁNÍ:** Tekutiny a jiné potraviny se nesmějí ohřívat v uzavřených nádobách, protože by mohly explodovat.

- Troubu je třeba pravidelně čistit a odstraňovat veškeré zbytky jídla.
- Nad horním povrchem trouby by měl být volný prostor minimálně 20 cm.
- Potraviny nepřevařujte, aby nedošlo k požáru.
- K čištění spotřebiče nepoužívejte chemikálie ani parní čističe.

- Při používání v blízkosti dětí a osob s omezenými fyzickými, smyslovými nebo duševními schopnostmi dbejte na maximální opatrnost.

- Děti ve věku 8 let a starší a osoby s omezenými fyzickými, smyslovými nebo duševními schopnostmi nebo bez znalostí a zkušeností mohou tento spotřebič používat pouze tehdy, když jsou pod dohledem osoby zajišťující bezpečné používání výrobku, nebo jsou odpovídajícím způsobem poučeny nebo rozumí rizikům používání produktu. S přístrojem si nesmí hrát děti. Postupy čištění a uživatelské údržby by neměly provádět děti, pokud nejsou pod dohledem starších osob.

- **Nebezpečí udušení!** Všechny obalové materiály uchovávejte mimo dosah dětí.

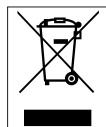
- S ohledem na nadměrné teplo, které vzniká v grilovacích a kombinovaných režimech, by mělo být dětem povoleno používat tyto režimy pouze pod dohledem dospělé osoby.

# 1 Důležité bezpečnostní pokyny a pokyny týkající se životního prostředí

- Výrobek a jeho napájecí kabel uchovávejte tak, aby k nim neměly přístup děti mladší 8 let.
- Nevařte jídlo přímo na skleněném podnosu. Před umístěním do trouby vložte jídlo do příslušného kuchyňského nádobí.
- Při mikrovlnném vaření se nesmí používat kovové nádoby na jídlo a nápoje. Mohly by způsobit jiskření.
- Tento produkt není určen k zabudování. Pokud je výrobek používán, neumísťujte jej do skříňky nebo krabice.

## 1.2 Dodržování směrnice WEEE a odstranění odpadů výrobku

Tento výrobek splňuje požadavky směrnice EU WEEE (2012/19 / EU). Na tomto produktu je zobrazen symbol klasifikace odpadu elektrických a elektronických zařízení (WEEE).



Tento symbol znamená, že na konci své životnosti se tento výrobek nesmí likvidovat spolu s ostatním domovním odpadem. Použité zařízení se musí odnést na oficiální sběrné místo za účelem recyklace elektrických a elektronických zařízení.

Chcete-li najít tato sběrná místa, obraťte se na místní úřady nebo na prodejce, u kterého byl produkt zakoupen. Každá domácnost plní důležitou úlohu při zhodnocování a recyklaci starých zařízení.

Správná likvidace použitého spotřebiče pomáhá předcházet možným negativním následkům pro životní prostředí a lidské zdraví.

## 1.3 Soulad se směrnicí RoHS

Výrobek, který jste si zakoupili, vyhovuje směrnici EU RoHS (2011/65/EU). Neobsahuje škodlivé a zakázané látky uvedené ve směrnici.

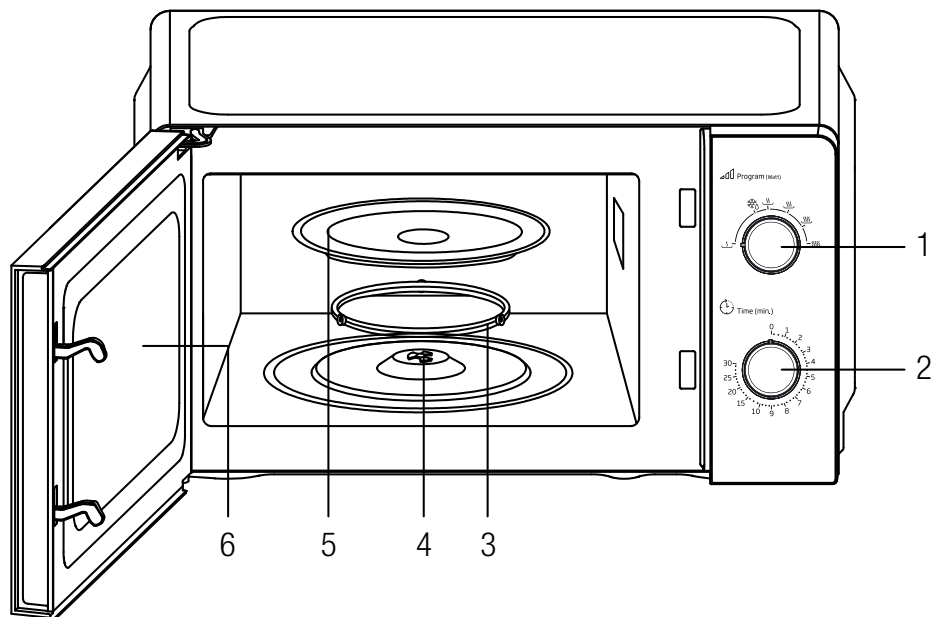
## 1.4 Informace o balení



Obalové materiály výrobku jsou vyrobeny z recyklovatelných materiálů v souladu s našimi vnitrostátními předpisy o životním prostředí. Nevyhazujte obalové materiály spolu s domácími nebo jinými odpady. Vezměte je do sběrných míst pro obalové materiály určené místními orgány.

## 2 Vaše mikrovlnná trouba

### 2.1 Přehled



### Ovládací prvky a části

1. Tlačítko zapnutí
2. Knoflík časovače
3. Válečkový kroužek
4. Hřídel
5. Skleněný talíř
6. Okno trouby

### 2.2 Technické údaje

<b>Jmenovité napětí</b>	230-240V~/50Hz
<b>Jmenovitý příkon</b>	1100W (mikrovlnná trouba)
<b>Jmenovitý výkon</b>	700W
<b>Mikrovlnná frekvence</b>	2450MHz
<b>Úroveň mikrovlnného výkonu</b>	6
<b>Vnější rozměry: (V*S*H) mm</b>	243×446×340 mm
<b>Skleněný otočný talíř</b>	245 mm
<b>Objem trouby</b>	20 L
<b>Čistá hmotnost</b>	10 kg
<b>Barva</b>	Bílá/černá/stříbrná

Právo na technické a konstrukční změny vyhrazeno.

Značky na spotřebiči nebo hodnoty uvedené v jiných dokumentech dodávaných s výrobkem jsou hodnoty získané při laboratorních podmínkách podle příslušných norem. Tyto hodnoty se mohou lišit v závislosti na použití spotřebiče a okolních podmínkách.

## 3 Instalace a připojení

### 3.1 Instalace

1. Ujistěte se, že jsou z vnitřní strany dvířek odstraněny všechny obalové materiály.



**VAROVÁNÍ:** Zkontrolujte, zda trouba není poškozena, jako například zda nejsou nesprávně nastavená nebo ohnutá dvířka, poškozená těsnění dvířek a těsnící povrch, zlomené nebo uvolněné panty dvířek a západky a promáčknutí uvnitř dutiny nebo na dvířkách. Pokud je jakkoli poškozena, troubu neprovozujte a obraťte se na kvalifikovaný servisní personál.

2. Tato mikrovlnná trouba musí být umístěna na rovném a stabilním povrchu, aby udržela její váhu a nejtěžší jídlo, které se v troubě pravděpodobně uvaří.
3. Troubu neumísťujte na místa, kde se vytváří teplo, vlhkost nebo vysoká vlhkost, ani do blízkosti hořlavých materiálů.
4. Pro správnou funkci musí mít trouba dostatečné proudění vzduchu. Ponechte 20 cm prostoru nad troubou, 10 cm vzadu a 5 cm na obou stranách. Nezakrývejte ani neblokujte žádné otvory na spotřebiči. Neodstraňujte nohy.
5. Troubu neprovozujte bez skleněného talíře, válečkového kroužku a hřídele v jejich správné poloze.
6. Ujistěte se, že napájecí kabel není poškozen a nevede pod troubou ani po horkém nebo ostrém povrchu.
7. Zásuvka musí být snadno přístupná, aby se dala v případě nouze snadno odpojit.
8. Troubu nepoužívejte venku.

### 3.2 Rádiové rušení

Provoz mikrovlnné trouby může způsobit rušení vašeho rádia, TV nebo podobného zařízení.

Pokud dojde k rušení, lze jej snížit nebo odstranit provedením následujících opatření:

1. Vyčistěte dvířka a těsnící povrch trouby.
2. Změňte orientaci přijímací antény rádia nebo televize.
3. Přemístěte mikrovlnnou troubu vzhledem k přijímači.
4. Přesuňte mikrovlnnou troubu dále od přijímače.
5. Zapojte mikrovlnnou troubu do jiné zásuvky tak, aby mikrovlnná trouba a přijímač byly v různých větvích obvodů.

### 3.3 Zásady pečení v mikrovlnné troubě

1. Jídlo pečlivě uspořádejte. Nejhrubší místa umístěte směrem ven z talíře.
2. Sledujte čas vaření. Vařte co nejkratší uvedenou dobu a podle potřeby přidejte další. Velmi propečené jídlo může kouřit nebo se vznítit.
3. Jídlo během vaření přikryjte. Poklice zabraňují rozstříkávání a napomáhají rovnoměrnému vaření jídla.
4. Během vaření v mikrovlnné troubě potraviny jednou otočte, abyste urychlili vaření takových jídel, jako jsou kuřecí maso a hamburgery. Velké kusy, jako například játra, se musí alespoň jednou obrátit.
5. Potraviny, jako jsou masové kuličky, přemístěte v polovině vaření shora dolů a od středu nádoby směrem ven.

### 3.4 Pokyny pro uzemnění

Tento spotřebič musí být uzemněn. Tato trouba je vybavena kabelem, který má uzemiňovací drát s uzemiňovací zástrčkou. Musí být zapojena do nástěnné zásuvky, která je správně nainstalována a uzemněna. V případě elektrického zkratu uzemnění snižuje riziko úrazu elektrickým proudem tím, že poskytuje únikové vedení pro elektrický proud. Doporučujeme samostatný elektrický obvod sloužící jen pro tuto troubu. Používání vysokého napětí je nebezpečné a může způsobit požár nebo jinou nehodu, která způsobí poškození trouby.

## 3 Instalace a připojení



**VAROVÁNÍ:** Nesprávné použití uzemňovací zástrčky může mít za následek riziko úrazu elektrickým proudem.



Máte-li jakékoli dotazy týkající se uzemnění nebo elektrických pokynů, obraťte se na kvalifikovaného elektrikáře nebo servisního technika.



Výrobce ani prodejce nemohou přijmout žádnou odpovědnost za poškození trouby nebo zranění osob v důsledku nedodržení postupů elektrického připojení.

Vodiče v tomto kabelovém rozvodu jsou zabarveny v souladu s následujícím kódem:

**Zelenožlutý = OCHRANNÝ**

**Modrý = STŘEDNÍ**

**Hnědý = FÁZE**

### 3.5 Průvodce nádobím

1. Mikrovlnná trouba nemůže proniknout do kovu. Používejte pouze kuchyňské náčiní vhodné pro použití v mikrovlnných troubách. Při mikrovlnném vaření se nesmí používat kovové nádoby na jídlo a nápoje. Tento požadavek neplatí, pokud výrobce specifikuje velikost a tvar kovových nádob vhodných pro vaření v mikrovlnné troubě.
2. Mikrovlny nemohou proniknout do kovu, proto nesmíte používat kovové náčiní nebo nádoby s kovovým lemem.
3. Při mikrovlnném vaření nepoužívejte výrobky z recyklovaného papíru, protože mohou obsahovat malé kovové úlomky, které mohou způsobit jiskření a/nebo požár.
4. Doporučujeme spíše kulaté/oválné nádoby než čtvercové/podlouhlé, protože jídlo v rozích má tendenci se připékat.

5. K zabránění přepečení exponovaných oblastí můžete použít úzké pásky hliníkové fólie. Ale buďte opatrní, nepoužívejte příliš mnoho a dodržujte vzdálenost 1 palce (2,54 cm) mezi fólií a dutinou.

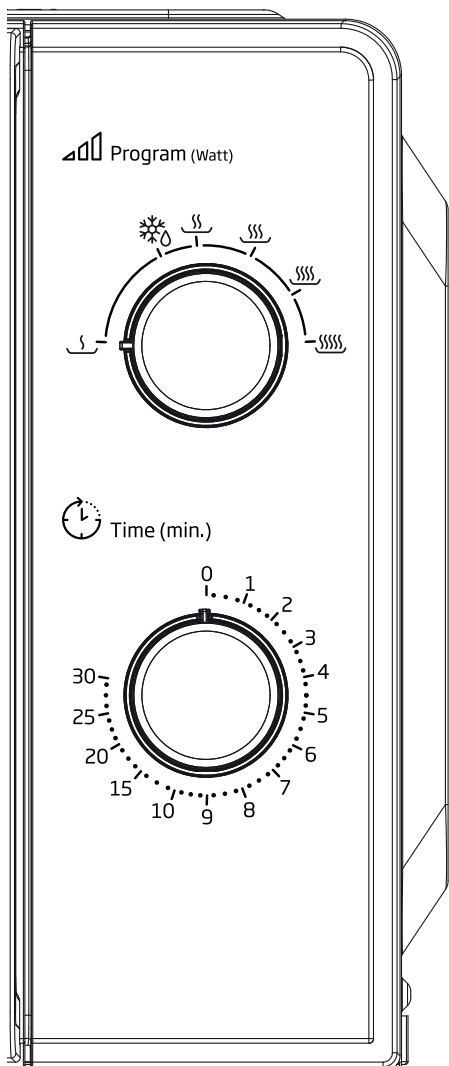
Níže uvedený seznam je obecným průvodcem, který vám pomůže vybrat správné nádoby.

Nádobí	Mikrovlnná trouba
Tepelně odolné sklo	Ano
Tepelně neodolné sklo	Ne
Tepelně odolná keramika	Ano
Plastová nádoba vhodná do mikrovlnné trouby	Ano
Kuchyňský papír	Ano
Kovový podnos	Ne
Kovový stojan	Ne
Hliníková fólie a fóliové kontejnery	Ne



## 4 Obsluha

### 4.1 Ovládací panel



Ovládací panel sestává ze dvou funkčních ovládacích prvků. Jeden je knoflík časovače a druhý knoflík napájení.

#### Tlačítko napájení

Pomocí tohoto ovládacího knoflíku zvolíte úroveň výkonu vaření. Je to první krok ke spuštění vaření.

#### Knoflík časovače

Nabízí vizuální nastavení časování pouhým otočením palce pro výběr požadovaného času vaření až do 30 minut na jednu dobu vaření.

#### Mikrovlnné vaření

Pro čistě mikrovlnné vaření je k dispozici šest úrovní výkonu, ze kterých si můžete vybrat tu, která nejlépe vyhovuje danému úkolu.

Úroveň výkonu se zvyšuje otáčením knoflíku ve směru hodinových ručiček. Úrovně výkonu lze klasifikovat takto:

	Výstupní výkon	Popis
1	100%	Vysoký
2	88%	Středně vysoký
3	73%	Střední
4	52%	Středně nízký
5	42%	Rozmrazování
6	20%	Nízký

### 4.2 Obsluha

Pro zahájení vaření,

1. Vložte jídlo do trouby a zavřete dvířka.
2. Otáčením ovládacího knoflíku (1) vyberte úroveň výkonu.
3. Pomocí knoflíku časovače (2) nastavte čas vaření



Jakmile otočíte časovač, trouba začne péct. Pokud zvolíte čas kratší než 2 minuty, otočte časovač za 2 minuty a poté se vraťte na správný čas.



**UPOZORNĚNÍ:** Vždy vraťte časovač zpět do nulové polohy, pokud jídlo vyjmete z trouby před dokončením nastaveného času vaření nebo když troubu nepoužíváte. Chcete-li zastavit troubu během procesu vaření, stiskněte tlačítko pro uvolnění dvířek nebo otevřete dvířka pomocí rukojeti.

## 5 Čištění A péče

### 5.1 Čištění a péče



**VAROVÁNÍ:** K čištění spotřebiče nikdy nepoužívejte benzín, rozpouštědlo, abrazivní čisticí prostředky, kovové předměty ani tvrdé kartáče.



**VAROVÁNÍ:** Nikdy neponořujte přístroj nebo jeho napájecí kabel do vody nebo do jiné tekutiny.

1. Před čištěním vypněte troubu a vytáhněte zástrčku ze zásuvky.
2. Počkejte, než spotřebič zcela vychladne.
3. Udržujte vnitřní prostor trouby čistý. Když se na stěny trouby přilepí stříkance jídla nebo rozlité tekutiny, otřete je vlhkým hadříkem. Pokud se trouba velmi znečistí, můžete použít jemný čisticí prostředek. Vyhněte se používání sprejů a jiných drsných čisticích prostředků, protože povrch dvířek mohou zabarvit, vytvořit šmouhy nebo oslabit jejich jas.
4. Vnější povrchy čistěte vlhkým hadříkem. Aby se předešlo poškození ovládacích částí uvnitř trouby, do ventilačních otvorů nesmí vniknout voda.
5. Obě strany dveří a okna, těsnění dveří a přilehlé části často otírejte vlhkým hadříkem, abyste odstranili jakékoli rozlití nebo postříkání. Nepoužívejte abrazivní čisticí prostředky.
6. Nesmí se používat parní čistič.
7. Nedovolte, aby se ovládací panel namočil. Čistěte jemným vlhkým hadříkem. Při čištění ovládacího panelu nechte dvířka trouby otevřená, abyste předešli náhodnému zapnutí trouby.
8. Pokud se uvnitř nebo kolem vnější strany dvířek trouby nahromadí pára, otřete ji měkkým hadříkem. K tomu může dojít, když je mikrovlnná trouba provozována za podmínek vysoké vlhkosti. A je to normální.
9. Čas od času je třeba vyjmout skleněný talíř z důvodu jeho vyčištění. Talíř omyjte v teplé mýdlové vodě nebo v myčce nádobí.

10. Válečkový kroužek a dno trouby pravidelně čistěte, aby nedošlo k nadměrnému hluku. Jednoduše otřete spodní povrch trouby jemným čisticím prostředkem. Válečkový kroužek lze mýt v jemné mýdlové vodě nebo v myčce nádobí. Při odstraňování válečkového kroužku z podlahy dutiny na čištění se ujistěte, že je nasazen ve správné poloze.

11. Odstraňte pachy z vaší trouby smícháním šálku vody se šťávou a kůrou z jednoho citronu v hluboké misce určené do mikrovlnné trouby, a zapněte mikrovlnnou troubu po dobu 5 minut. Důkladně otřete a osušte měkkým hadříkem.
12. Když bude třeba vyměnit světlo v troubě, z důvodu jeho výměny se obraťte na prodejce.
13. Troubu je třeba pravidelně čistit a odstraňovat veškeré zbytky jídla. Pokud nebudete udržovat troubu v čistém stavu, může dojít k poškození povrchu, což by mohlo nepříznivě ovlivnit životnost zařízení a případně vést k nebezpečným situacím.
14. Nevyhazujte toto zařízení do koše na domácí odpad; musí být zlikvidován v příslušném středisku pro zneškodňování, které poskytuje obec.
15. Při prvním použití mikrovlnné trouby s funkcí grilu může produkovat mírný kouř a zápach. Jedná se o normální jev, protože trouba je vyrobená z ocelového plechu potaženého mazacím olejem a nová trouba bude produkovat výpary a zápach vznikající spalováním mazacího oleje. Tento jev po určité době používání zmizí.

### 5.2 Skladování

- Pokud nechcete přístroj používat delší dobu, patrně ho uložte.
- Ujistěte se, že je trouba odpojena od elektrické sítě, vychlazená a zcela suchá.
- Spotřebič skladujte na chladném a suchém místě.
- Držte přístroj mimo dosah dětí.

## 5 Čištění A péče

### 5.3 Zacházení a přeprava

- Během manipulace a přepravy uchovávejte přístroj v původním obalu. Balení chrání spotřebič před fyzickým poškozením.
- Na zařízení ani na obal nepokládejte těžká břemena. Může dojít k poškození spotřebiče.
- Pád přístroje může způsobit jeho nefunkčnost nebo trvalé poškození.

## 6 Řešení problémů

Problém	Možné řešení
Pokud trouba nefunguje	Zkontrolujte, zda je trouba bezpečně zapojena. Pokud není, vytáhněte zástrčku ze zásuvky, počkejte 10 sekund a znovu ji bezpečně zapojte.
	Zkontrolujte, zda není spálená pojistka obvodu nebo vypnutý hlavní jistič. Pokud se zdá, že fungují správně, otestujte zásuvku pomocí jiného zařízení.
	Zkontrolujte, zda je ovládací panel správně naprogramován a zda je nastaven časovač.
	Zkontrolujte, zda jsou dvířka bezpečně zavřena pomocí bezpečnostního zámkového systému dvířek. V opačném případě mikrovlnná energie nebude proudit do trouby.
Pokud nic z výše uvedeného nenapraví situaci, kontaktujte kvalifikovaného technika. Nepokoušejte se sami upravovat nebo opravovat troubu.	



## ZÁKAZNICKÉ CENTRUM BEKO

BEKO Spolka Akcyjna, org. sl. Lužná 716/2, 160 00 Praha 6 – Vokovice

**7 dní v týdnu od 8:00 do 18:00**

pomůže vyřešit záruční, případně pozáruční opravy výrobků BEKO

kontakt	<b>220 105 371</b> <b>800 350 333</b>
e-mail	<b>zakaznickecentrum@bekosa.cz</b>
Objednávka opravy spotřebiče online	<a href="http://www.bekocr.cz">www.bekocr.cz</a>
5 LET ZÁRUKY – podmínky a registrace online	<a href="http://www.bekocr.cz">www.bekocr.cz</a>

### ZÁRUČNÍ PODMÍNKY ČR

- a) Platný a čitelný prodejní doklad, který obsahuje datum prodeje, model spotřebiče a označení prodejce opravňuje uživatele využít záruku na výrobek v souladu s ustanoveními Občanského zákoníku, v platném znění.
- b) Není-li stanoveno jinak, je záruční doba na výrobek 24 měsíců. Začíná plynout ode dne převzetí věci kupujícím vyjma případu, kdy je nutné uvedení do provozu oprávněnou firmou. V tom případě začne záruční doba plynout ode dne uvedení výrobku do provozu.

Výrobky vyžadující odborné zapojení: plynové a kombinované sporáky a varné desky, dále všechny spotřebiče, které nejsou vybaveny přírodním elektrickým kabelem zakončeným vidlicí. Zapojení spotřebiče je službou hrazenou zákazníkem. Potvrzení je nutné uschovat. Dovozce nezodpovídá za poškození vzniklé chybnou instalací a chybným zapojením výrobku.

- c) Záruka vyplývající z těchto záručních podmínek může být uplatněna pouze na území České republiky a týká se pouze a výhradně spotřebičů dovezených do ČR prostřednictvím naší společnosti, BEKO Spolka Akcyjna, org. sl. Lužná 716/2, 160 00 Praha 6 – Vokovice, která je oficiálním zastoupením značky BEKO pro Českou republiku.

- d) Záruka je poskytována kupujícímu (konečnému spotřebiteli) v souladu se zákonem č. 634/1992 Sb., o ochraně spotřebitele v platném znění, na výrobek sloužící běžnému používání v domácnosti. Výrobek není určen k průmyslovému použití a poskytování služeb. Spotřebiče, které nejsou používány v domácnosti, nejsou předmětem záruky (hotelová a restaurační zařízení, školská zařízení, úklidové firmy, atd...)

- e) Práva ze zodpovědnosti za vady výrobku se uplatňují u prodávajícího. Záruční oprava se vztahuje výhradně na závady, které vzniknou v době platnosti záruční lhůty a to výrobní vadou. Takto vzniklé závady je oprávněn odstranit pouze autorizovaný servis.

- f) O odstranění vad výrobku v záruční lhůtě je kupující oprávněn požádat prodejce nebo **Zákaznické centrum BEKO** tel: 220 105 371 (800 350 333) <http://www.bekocr.cz/oprava-spotrebiice>.

- g) Při návštěvě servisního technika kupující prokáže existenci záruky předložením čitelného prodejního dokladu nebo certifikátu 5 let záruky BEKO. Po provedení záruční opravy jsou autorizovaná servisní střediska nebo prodávající povinni vydat kupujícímu čitelnou kopii opravného listu nebo doklad o uplatnění práva záruky a době trvání opravy. Po dobu záruky je kupující povinen uschovat veškeré doklady související s koupí a servisem výrobku.

- h) Opravní list slouží k prokazování práv kupujícího, proto je ve vlastním zájmu kupujícího si kontrolovat před podpisem veškeré údaje. Záruční lhůta se v případech, kdy závada znemožnila používání výrobku, prodlužuje o dobu, kdy kupující uplatnil nárok na záruční opravu u autorizovaného střediska až do dne převzetí opraveného výrobku.

- i) Výrobek musí být instalován a provozován podle návodu k obsluze a platných norem. Funkce chladniček, mrazniček a jiných kombinací je zaručena při okolní teplotě od +10°C do +32°C.

- j) Touto zárukou nejsou dotčena práva kupujícího, která se ke koupi věci vztahují podle zvláštních právních předpisů.

- k) Společnost BEKO Spolka Akcyjna, org. sl. Lužná 716/2, 160 00 Praha 6 – Vokovice nabízí spotřebitelům na vybrané modely prodlouženou záruku v celkové délce trvání 5 let. Předmětem této nadstandardní záruky je bezplatné odstraňování výrobních vad po dobu následujících 36 měsíců od skončení zákonné dvouleté záruční lhůty.

- l) Podmínkou získání certifikátu prodloužené záruky je splnění veškerých podmínek uvedených na [www.bekocr.cz](http://www.bekocr.cz).
- m) O odstranění vad výrobku v prodloužené záruční lhůtě je kupující oprávněn požádat Zákaznické centrum BEKO tel: 220 105 371 (800 350 333) <http://www.bekocr.cz/oprava-spotrebice>.
- n) Při opravě v rámci prodloužené záruky je uživatel povinen autorizovanému servisu předložit platný certifikát prodloužené záruky a prodejní doklad.
- o) V době trvání prodloužené záruky bude oprávněná reklamacie řešena opravou nebo dodáním náhradního dílu. V případě neodstranitelné vady zajistí dovozce přímo u zákazníka výměnu výrobku za nový. Nárok na výměnu uplatňuje zákazník po zaslání všech potřebných dokladů /platný certifikát, doklad o zakoupení, vyjádření servisního technika/ na e-mail: [reklamace@bekosa.cz](mailto:reklamace@bekosa.cz) nebo poštou na adresu BEKO Spolka Akcyjna, org. sl. Lužná 716/2, 160 00 Praha 6 – Vokovice. Spotřebitel nemá právo v průběhu prodloužené záruky na vrácení kupní částky. Uplatnění práva na bezplatné odstraňování výrobních vad podléhá zde uvedeným všeobecným záručním podmínkám.

**Právo na uplatnění záruky zaniká pokud:**

- není výrobek používán v souladu s návodem
- došlo k mechanickému poškození výrobku cizím zaviněním, při nesprávné údržbě nebo jiným zanedbáním péče o výrobek
- byl na výrobku proveden neodborný zásah neoprávněnou osobou
- plynové spotřebiče nebo spotřebiče s napájením 400V nebyly uvedeny do provozu odbornou firmou
- došlo k mechanickému poškození při přepravě
- je vada způsobená vnějšími podmínkami, jako jsou např. poruchy v elektrické síti nebo vadná bytová instalace, nevhodnými provozními podmínkami, poškození živlem
- je výrobek vadný z důvodu použití neoriginálního příslušenství a náhradních dílů
- kuchyňská linka, do které je výrobek zabudovaný, nesplňuje technické parametry
- záruka se dále nevztahuje na preventivní údržbu popsanou v návodu k obsluze, popřípadě závady způsobené nevhodnou manipulací, na opotřebení vzniklé běžným používáním, mechanické poškození skleněných a plastových komponentů
- záruka se nevztahuje na návštěvu technika za účelem poradenství, preventivní kontrolu stavu spotřebiče, výměnu náhradního dílu, který nevyžaduje odborný zásah, záměna směru otvírání dveří chladniček

# Si prega di leggere questo manuale prima dell'uso!

Gentile e stimato Cliente,

grazie per aver scelto questo apparecchio Beko. Ci auguriamo che riesca ad ottenere i risultati migliori da questo prodotto, realizzato con tecnologia all'avanguardia e di alta qualità. Pertanto, prima di utilizzare il prodotto, La preghiamo di leggere con attenzione e per intero il presente manuale e ogni altro documento allegato, conservandoli come riferimento per impieghi futuri. Nel caso cedesse il prodotto ad altre persone, consegni loro anche queste istruzioni. Segua tutte le avvertenze e le informazioni riportate nel manuale utente.

Consideri che questo manuale utente può risultare valido anche per altri modelli. Il contenuto ne descrive chiaramente le eventuali differenze.

## Significato dei simboli

I seguenti simboli sono utilizzati in diverse sezioni del presente manuale utente:

	Informazioni importanti e suggerimenti utili sull'utilizzo.
	Avvertenze di situazioni pericolose relative alla sicurezza della vita e della proprietà.
	Avvertenza di superfici calde.
	Avvertenza per shock elettrico.



Questo prodotto è stato prodotto in moderni impianti rispettosi dell'ambiente, senza causare danni alla natura.

---

# 1 Importanti istruzioni di sicurezza e ambientali

## Importanti istruzioni di sicurezza **Leggere attentamente e conservare per riferimenti futuri**

### 1.1 Istruzioni di sicurezza

Questa sezione contiene istruzioni di sicurezza che aiutano a proteggere da rischi di incendio, scosse elettriche, esposizione a perdite di energia a microonde, lesioni personali o danni alle cose. Il mancato rispetto di queste istruzioni invaliderà qualsiasi garanzia.

- I prodotti Beko sono conformi agli standard di sicurezza applicabili; quindi - in caso di danni al dispositivo o al cavo di alimentazione - la riparazione o la sostituzione dovrebbero essere a cura del rivenditore, del centro assistenza o di un servizio specializzato e autorizzato al fine di evitare di incorrere in eventuali pericoli. Lavori di riparazione svolti male o da persone non qualificate possono rivelarsi pericolosi e rischiosi per l'utente.
- L'apparecchiatura è destinata all'uso domestico e applicazioni simili, tra cui:
  - Cucine per il personale in negozi, uffici e altri ambienti di lavoro;
  - Fattorie
  - Clienti in hotel e altri ambienti di tipo residenziale;
  - Ambienti tipo bed and breakfast.
- Non è stato pensato per uso industriale o di laboratorio.
- Non tentare di avviare il forno quando il suo sportello è aperto, altrimenti si potrebbe essere esposti all'energia nociva delle microonde. Le serrature di sicurezza non devono essere disabilitate o manomesse.
- Il forno a microonde è destinato a riscaldare cibi e bevande. L'asciugatura di cibo o indumenti e il riscaldamento di cuscini riscaldanti, pantofole, spugne, panni umidi e simili potrebbe comportare il rischio di lesioni, combustione e incendi.
- Non mettere alcun oggetto tra il lato anteriore e lo sportello del forno. Non lasciare accumulare sporco o residui di detergente sulle superfici di chiusura.

# 1 Importanti istruzioni di sicurezza e ambientali

- Qualsiasi lavoro di manutenzione che comporti la rimozione del coperchio che fornisce la protezione contro l'esposizione alle microonde deve essere eseguito da persone/centri assistenza autorizzati. Qualsiasi altro approccio è pericoloso.
- Il prodotto è utilizzabile per cucinare, riscaldare e scongelare il cibo in ambiente domestico. Non deve essere utilizzato per scopi commerciali.
- Il forno non è progettato per asciugare materia vivente.
- Non utilizzare l'apparecchio per asciugare vestiti o asciugamani da cucina.
- Non usare questo apparecchio all'aperto, nei bagni, in ambienti umidi o in luoghi dove potrebbe bagnarsi.
- Non ci assumiamo alcuna responsabilità né risponderemo ad alcuna richiesta di garanzia per danni derivanti da un uso improprio o scorretto dell'apparecchio.
- Non tentare di smontare l'apparecchio. Non si accettano richieste di garanzia per danni derivanti da uso improprio.
- Servirsi unicamente di ricambi originali o consigliati dal produttore.
- Non lasciare l'apparecchio in funzione se non è sorvegliato.
- Utilizzare sempre l'apparecchio su una superficie stabile, piana, pulita, asciutta e non scivolosa.
- Questo apparecchio non è progettato per funzionare con un timer esterno o con un sistema di comando a distanza.
- Prima di usare l'apparecchio per la prima volta, pulire tutte le parti. Vedere altri dettagli nella sezione "Pulizia e Manutenzione".
- Servirsi dell'apparecchio unicamente per lo scopo per cui è stato previsto, secondo quanto descritto nel presente manuale.
- L'apparecchio diventa molto caldo quando in funzione. Fare attenzione a non toccare le parti calde all'interno del forno.
- Non far funzionare il forno se vuoto.
- L'utensile da cucina potrebbe diventare caldo a causa del calore trasferito dal cibo riscaldato all'utensile stesso. Si potrebbe aver bisogno di guanti da forno per tenere l'utensile.
- Per assicurarsi che siano adatti all'uso nei forni a microonde, gli utensili dovranno essere controllati.



# 1 Importanti istruzioni di sicurezza e ambientali

- Non posizionare il forno su stufe o altri apparecchi che generano calore. In caso contrario, potrebbe danneggiarsi e ciò invaliderà la garanzia.
- Mentre si aprono i coperchi o la pellicola dopo la cottura del cibo potrebbe uscire del vapore.
- L'apparecchio e le sue superfici accessibili potrebbero essere molto caldi quando l'apparecchio è in uso.
- Lo sportello e il vetro esterno potrebbero essere molto caldi quando l'apparecchio è in uso.
- Assicurarsi che l'alimentazione di rete sia conforme alle indicazioni riportate sulla targhetta dell'apparecchio.
- L'unico modo per scollegare l'apparecchio dall'alimentazione è rimuovere la spina dalla presa di corrente.
- Servirsi dell'apparecchio unicamente solo con una presa dotata di messa a terra.
- Non utilizzare l'apparecchio se il cavo di alimentazione o l'apparecchio stesso sono danneggiati.
- Non usare l'apparecchio con una prolunga.
- Non toccare mai l'apparecchio o la sua spina con mani umide o bagnate.
- Posizionare l'apparecchio in modo che la spina sia sempre accessibile.
- Evitare di danneggiare il cavo di alimentazione non schiacciandolo, piegandolo o strofinandolo su spigoli vivi. Tenere il cavo di alimentazione lontano da superfici calde e da fiamme libere.
- Assicurarsi che non ci sia pericolo che il cavo di alimentazione possa essere tirato accidentalmente o che qualcuno possa inciampare quando l'apparecchio è in uso.
- Scollegare l'apparecchio prima di ogni pulizia e quando non è in uso.
- Non tirare il cavo di alimentazione dell'apparecchio per scollegarlo dalla sua alimentazione e non avvolgere mai il cavo di alimentazione intorno all'apparecchio.
- Non immergere l'apparecchio, il cavo di alimentazione o la spina in acqua o altri liquidi. Non tenerlo sotto l'acqua corrente.
- Quando si scalda il cibo in contenitori di plastica o carta, controllare sempre il forno in quanto sussiste la possibilità di combustione.

# 1 Importanti istruzioni di sicurezza e ambientali

- Prima di mettere i sacchetti nel forno, rimuovere i lacci metallici e/o i manici di metallo dei sacchetti di carta o di plastica.
  - Se si osserva del fumo, spegnere l'apparecchio o disinserire la spina del cavo di alimentazione e tenere lo sportello chiuso per soffocare le eventuali fiamme.
  - Non usare il forno a microonde come spazio di conservazione. Non lasciare oggetti di carta, materiale di cottura o cibo all'interno del forno quando non utilizzato.
  - Per evitare scottature, agitare o scuotere il contenuto dei biberon e dei vasetti di alimenti per bambini e controllarne la temperatura prima del consumo.
  - Questo apparecchio è un dispositivo ISM di gruppo 2, classe B. Il gruppo 2 contiene tutte le apparecchiature ISM (Industrial, Scientific and Medical) in cui l'energia a radiofrequenza è intenzionalmente generata e/o utilizzata sotto forma di radiazione elettromagnetica per il trattamento di materiale, e le apparecchiature di erosione delle scintille.
  - Le apparecchiature di classe B sono adatte all'uso in stabilimenti domestici e stabilimenti direttamente collegati a una rete di alimentazione a bassa tensione.
  - Non usare olio da cottura nel forno. L'olio caldo potrebbe danneggiare i componenti e i materiali del forno, e potrebbe anche causare ustioni alla pelle.
  - Praticare un taglio sugli alimenti con crosta spessa come le patate, le zucchine, le mele e le castagne.
  - L'apparecchio deve essere posizionato in modo che il lato posteriore sia rivolto verso il muro.
  - Prima di spostare l'apparecchio, fissare il piatto girevole per evitare danni.
  - Le uova alla coque e quelle sode non devono essere riscaldate nel microonde in quanto potrebbero esplodere, anche al termine del tempo di riscaldamento.
- AVVERTENZA:** Se la sportello o le guarnizioni della sportello sono danneggiate, il forno non deve essere messo in funzione finché non sia stato riparato da un tecnico autorizzato.

# 1 Importanti istruzioni di sicurezza e ambientali

**AVVERTENZA:** È pericoloso eseguire qualsiasi operazione di manutenzione o riparazione che riguardi la rimozione di un coperchio che evita l'esposizione all'energia delle microonde a meno che non venga eseguita da personale competente.

**AVVERTENZA:** Non si devono riscaldare liquidi o altri alimenti in contenitori sigillati perché potrebbero esplodere.

- Il forno deve essere pulito regolarmente ed ogni deposito di cibo deve essere rimosso.
- Ci dovrebbero essere almeno 20 cm di spazio libero sopra la superficie superiore del forno.
- Non cuocere troppo i cibi, altrimenti si potrebbe causare un incendio.
- Non usare prodotti chimici e pulitori a vapore per pulire l'apparecchio.
- Si consiglia estrema cautela nell'uso in prossimità di bambini e di persone limitate nelle loro capacità fisiche, sensoriali o mentali.
- Questo apparecchio può essere utilizzato da bambini di età pari o superiore a 8 anni e da persone con capacità fisiche, sensoriali o mentali limitate o che non hanno conoscenze ed esperienza, purché siano sorvegliati nell'uso sicuro del prodotto o siano istruiti di conseguenza o comprendano i rischi dell'uso del prodotto. I bambini non devono giocare con l'apparecchio. Gli interventi di pulizia e manutenzione non vanno eseguiti dai bambini a meno che non siano controllati da una persona adulta.
- **Pericolo di soffocamento!** Tenere tutti i materiali di imballaggio lontano dalla portata dei bambini.
- A causa del calore eccessivo che si genera nelle modalità grill e combinata, i bambini dovrebbero essere autorizzati a utilizzare queste modalità solo sotto la supervisione di un adulto.
- Conservare il prodotto e il suo cavo di alimentazione in modo che siano inaccessibili ai bambini di età inferiore agli 8 anni.
- Non cucinare il cibo direttamente sul vassoio di vetro. Posizionare gli alimenti in/su utensili da cucina appropriati prima di metterli in forno.

# 1 Importanti istruzioni di sicurezza e ambientali

- Durante la cottura a microonde i contenitori metallici per alimenti e bevande non sono ammessi. In caso contrario, potrebbero verificarsi delle scintille.
- Questo prodotto non è progettato per essere incassato. Non mettere il prodotto in un armadio o in una scatola mentre è in uso.

## 1.2 Conformità alla direttiva WEEE e allo smaltimento dei rifiuti:

Questo apparecchio è conforme alla Direttiva UE WEEE (2012/19/EU). Questo apparecchio riporta il simbolo di classificazione per i rifiuti delle apparecchiature elettriche ed elettroniche (WEEE).



Questo simbolo indica che questo prodotto non deve essere smaltito con altri rifiuti domestici al termine della sua vita utile. Il dispositivo usato deve essere portato a un punto di raccolta ufficiale per il riciclaggio di dispositivi elettrici ed elettronici. Per individuare questi punti di raccolta, contattare le proprie autorità locali oppure il rivenditore presso cui è stato acquistato il prodotto. Ciascuna famiglia ha un ruolo importante nel recupero e riciclaggio di vecchi apparecchi. Lo smaltimento appropriato degli apparecchi usati aiuta a prevenire potenziali conseguenze negative per l'ambiente e la salute umana.

## 1.3 Conformità alla Direttiva RoHS:

L'apparecchio acquistato è conforme alla Direttiva UE RoHS (2011/65/EU). Non contiene materiali pericolosi o proibiti specificati nella Direttiva.

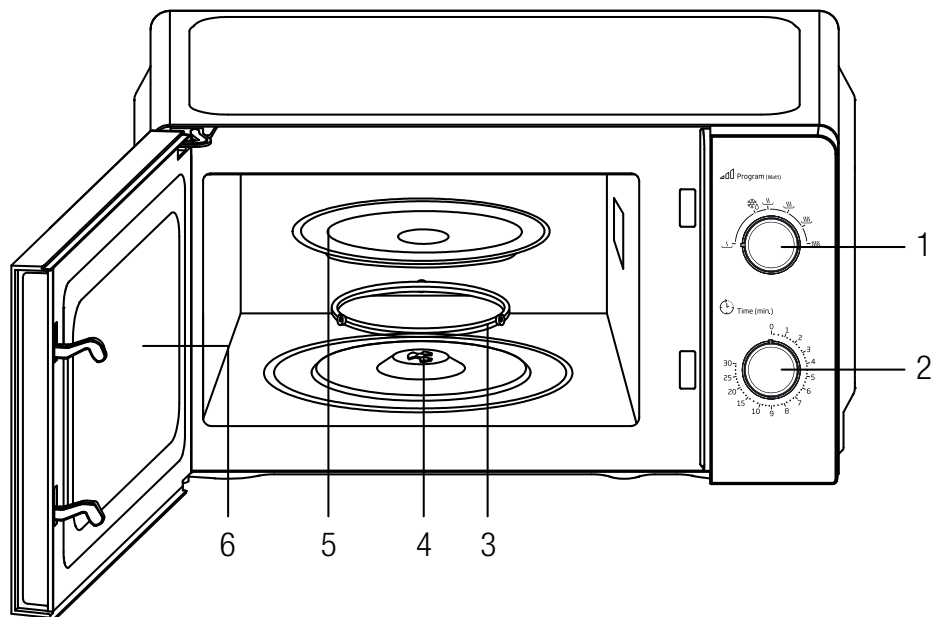
## 1.4 Informazioni di imballaggio



L'imballaggio del prodotto è fatto di materiali riciclabili in conformità con la normativa nazionale. Non smaltire i materiali di imballaggio con i rifiuti domestici o altri rifiuti. Portarli ai punti di raccolta per materiali di imballaggio previsti dalle autorità locali.

## 2 Il forno a microonde

### 2.1 Panoramica



### Comandi e parti

1. Manopola di potenza
2. Manopola timer
3. Anello
4. Albero
5. Vassoio in vetro
6. Finestra del forno

### 2.2 Dati tecnici

<b>Tensione nominale</b>	230-240V~50Hz
<b>Ingresso nominale</b>	1100W (Microonde)
<b>Potenza in uscita nominale</b>	700W
<b>Frequenza delle microonde</b>	2450MHz
<b>Livello di potenza del microonde</b>	6
<b>Dimensioni esterne (H*L*P) mm</b>	243*446*340 mm
<b>Piatto girevole in vetro</b>	245cm
<b>Capacità del forno</b>	20 L
<b>Peso netto</b>	10 kg
<b>Colore</b>	Bianco / Nero / Argento

Con riserva di modifiche tecniche e di progettazione.

Le marcature sull'apparecchio o i valori indicati in altri documenti forniti con il prodotto sono valori ottenuti in condizioni di laboratorio secondo le norme pertinenti. Questi valori potrebbero variare a seconda dell'uso dell'apparecchio e le condizioni ambientali.

## 2 Il forno a microonde

### 2.3 Installazione del piatto girevole

- Non posizionare mai il vassoio di vetro al contrario. Il vassoio di vetro non deve mai essere ridotto.
- Durante la cottura devono essere sempre utilizzati il vassoio di vetro e il supporto del piatto girevole.
- Non cuocere direttamente gli alimenti sul vassoio di vetro. Mettere gli alimenti in/su utensili appropriati per la cucina prima di metterli nel forno.
- Se il vassoio di vetro o il supporto del piatto girevole si lesionano o si rompono, contattare il centro assistenza autorizzato più vicino.



Si consiglia di non utilizzare vassoi e griglie a contatto diretto con gli alimenti.



## 3 Installazione e connessione

### 3.1 Installazione

1. Assicurarsi che tutti i materiali d'imballaggio siano rimossi dall'interno dello sportello.



**AVVERTENZA:** Controllare che il forno non sia per nulla danneggiato, che non abbia uno sportello disallineato o piegato, guarnizioni dello sportello e superficie di tenuta danneggiate, cerniere e chiusure dello sportello rotte o allentate e ammaccature all'interno dell'apparecchio o sullo sportello. In caso di danni, non mettere in funzione il forno e contattare il personale di assistenza qualificato.

2. Questo forno a microonde deve essere collocato su una superficie piana e stabile in grado di sostenere il suo peso e il cibo più pesante che può essere cucinato nel forno.
3. Non posizionare il forno dove si genera calore, umidità o alta umidità, o vicino a materiali combustibili.
4. Per un corretto funzionamento, il forno deve avere un flusso d'aria sufficiente. Lasciare 20 cm di spazio sopra il forno, 10 cm sul retro e 5 cm su entrambi i lati. Non coprire o bloccare le prese d'aria dell'apparecchio. Non rimuovere i piedini.
5. Non mettere in funzione il forno senza che il vassoio di vetro, il supporto del rullo e l'albero siano nella loro posizione corretta.
6. Assicurarsi che il cavo di alimentazione non sia danneggiato e non passi sotto il forno o su una superficie calda o tagliente.
7. La presa deve essere facilmente accessibile in modo che possa essere facilmente scollegata in caso di emergenza.
8. Non utilizzare il forno all'aperto.

### 3.2 Interferenze radio

Il funzionamento del forno a microonde può causare interferenze a radio, TV o apparecchiature simili.

In caso di interferenza, la stessa potrebbe essere ridotta o eliminata effettuando le seguenti operazioni:

1. Pulire la porta e la superficie della guarnizione del forno.
2. Riorientare l'antenna di ricezione della radio o della televisione.
3. Riposizionare il forno a microonde rispetto al ricevitore.
4. Allontanare il forno a microonde dal ricevitore.
5. Inserire il forno a microonde in una presa diversa, in modo che il forno a microonde e il ricevitore si trovino su diversi circuiti derivati.

### 3.3 Principi della cottura a microonde

1. Disporre gli alimenti con cura. Posizionare le aree più spesse verso l'esterno del piatto.
2. Osservare il tempo di cottura. Cuocere per il minor tempo indicato e aggiungerne altro se necessario. Gli alimenti eccessivamente cotti possono fumare o prendere fuoco.
3. Coprire gli alimenti durante la cottura. I coperchi evitano gli schizzi e aiutano gli alimenti a cuocere in modo uniforme.
4. Per accelerare la cottura di alimenti come il pollo e gli hamburger, girare gli alimenti una volta durante la cottura a microonde. Gli alimenti particolarmente grandi come gli arrostiti devono essere girati almeno una volta.
5. Girare gli alimenti come le polpette a metà cottura sia dall'alto verso il basso che dal centro del piatto verso l'esterno.

## 3 Installazione e connessione

### 3.4 Istruzioni per la messa a terra

Questo apparecchio deve essere collegato alla messa a terra. Questo forno è dotato di un cavo con un filo di messa a terra con una spina di messa a terra. Deve essere inserita in una presa a muro correttamente installata e messa a terra. In caso di cortocircuito elettrico, la messa a terra riduce il rischio di scosse elettriche fornendo un filo di fuga per la corrente elettrica. Si raccomanda di prevedere un circuito separato che serva solo il forno. L'uso dell'alta tensione è pericoloso e potrebbe provocare un incendio o altri incidenti con conseguenti danni al forno.



**AVVERTENZA:** L'uso improprio della spina di messa a terra può comportare un rischio di scossa elettrica.



In caso di domande sulla messa a terra o sulle istruzioni elettriche, consultare un elettricista qualificato o un tecnico del servizio assistenza.



Né il produttore né il rivenditore possono accettare responsabilità per danni al forno o lesioni personali derivanti dalla mancata osservanza delle procedure di collegamento elettrico.

I fili di questo cavo principale sono colorati secondo la seguente codificazione:

**Verde e giallo = TERRA**

**Blu = NEUTRO**

**Marrone = VIVO**

### 3.5 Guida agli utensili

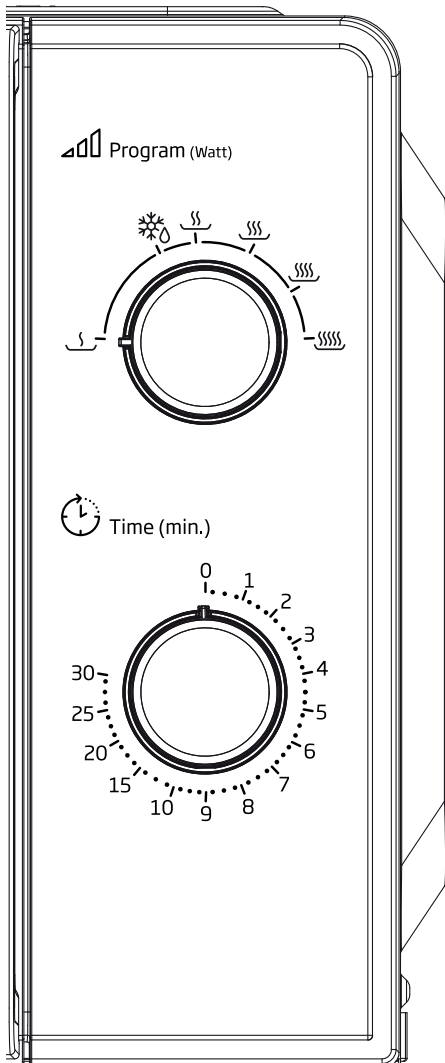
1. Le microonde non possono penetrare il metallo. Usare solo utensili adatti all'uso nel forno a microonde. Durante la cottura a microonde i contenitori metallici per alimenti e bevande non sono ammessi. Questo requisito non è applicabile se il produttore dovesse specificare le dimensioni e la forma dei contenitori metallici adatti alla cottura a microonde.
2. Le microonde non possono penetrare il metallo, quindi utensili di metallo o piatti con finiture metalliche non dovrebbero essere usati.
3. Non utilizzare prodotti di carta riciclata per la cottura a microonde, in quanto potrebbero contenere piccoli frammenti di metallo che potrebbero provocare scintille e/o incendi.
4. Si raccomandano piatti rotondi/ovali piuttosto che quadrati/lunghi, perché il cibo negli angoli tende a cuocere troppo.
5. Per evitare la cottura eccessiva delle aree esposte, potrebbero essere utilizzate delle strisce strette di foglio di alluminio. Ma attenzione a non usarne troppo e a mantenere una distanza di 1 pollice (2,54 cm) tra il foglio e le pareti del forno. L'elenco che segue è una guida generale di aiuto nella selezione degli utensili corretti.

Pentole	Microonde
Vetro resistente al calore	Sì
Vetro non resistente al calore	No
Ceramica resistente al calore	Sì
Piatto di plastica per microonde	Sì
Carta da cucina	Sì
Vassoio di metallo	No
Griglia in metallo	No
Foglio di alluminio e contenitori di alluminio	No



## 4 Funzionamento

### 4.1 Pannello di controllo



Il pannello di controllo è composto da due operatori di funzione. Uno è una manopola del timer, e un altro una manopola di potenza.

#### Manopola di potenza

Sarà possibile utilizzare questa manopola di potenza per scegliere un livello di potenza di cottura. È il primo passaggio per iniziare una sessione di cottura.

#### Manopola timer

Impostazioni del tempo comodamente in vista, a portata di pollice, per selezionare il tempo di cottura desiderato, fino a 30 minuti per sessione di cottura.

#### Cottura a microonde

Per la pura cottura a microonde, ci sono sei livelli di potenza. Fra questi è possibile scegliere quello più adatto per la pietanza che si deve realizzare.

Il livello di potenza aumenta con la manopola ruotandola in senso orario. I livelli di potenza possono essere classificati come segue:

	Potenza di uscita	Descrizione
1	100%	Alto
2	88%	M. Alto
3	73%	Medio
4	52%	M. Basso
5	42%	Scongellamento
6	20%	Basso

### 4.2 Funzionamento

Per avviare una sessione di cottura.

1. Mettere il cibo in forno e chiudere lo sportello.
2. Ruotare la manopola della potenza (1) per selezionare un livello di potenza.
3. Usare la manopola del timer (2) per impostare un tempo di cottura.

## 4 Funzionamento



Non appena il timer viene girato, il forno inizia il processo di cottura. Quando si seleziona un tempo inferiore a 2 minuti, ruotare il timer oltre i 2 minuti e poi tornare al tempo corretto.



**ATTENZIONE:** Riportare sempre il timer alla posizione zero se il cibo viene rimosso dal forno prima che il tempo di cottura impostato sia completo o quando il forno non è in uso. Per interrompere il forno durante il processo di cottura, premere il pulsante di rilascio della porta o aprire la porta dalla maniglia.

## 5 Pulizia e cura

### 5.1 Pulizia e cura



**AVVERTENZA:** Non utilizzare benzina, solventi, detergenti abrasivi, oggetti metallici o spazzole dure per pulire l'apparecchio.



**AVVERTENZA:** Non immergere mai l'apparecchio o il suo cavo di alimentazione in acqua o in qualsiasi altro liquido.

1. Spegnerne il forno e togliere la spina dalla presa di corrente prima di pulire.
2. Attendere il completo raffreddamento dell'apparecchio.
3. Tenere pulito l'interno del forno. In caso di aderenza di schizzi di cibo o liquidi versati alle pareti del forno, pulire con un panno umido. Se il forno è molto sporco, si può usare un detergente delicato. Evitare l'uso di spray e altri detergenti aggressivi perché potrebbero macchiare, striare o opacizzare la superficie dello sportello.
4. Le superfici esterne dovrebbero essere pulite con un panno umido. Per evitare danni alle parti operative all'interno del forno, l'acqua non dovrebbe penetrare nelle bocchette di ventilazione.
5. Pulire frequentemente i due lati dello sportello e del vetro, le guarnizioni dello sportello e le parti adiacenti con un panno umido per rimuovere eventuali perdite o schizzi. Non usare detergenti abrasivi.
6. Non usare un pulitore a vapore.
7. Non lasciare che il pannello di controllo si bagni. Pulire con un panno morbido e umido. Quando si pulisce il pannello di controllo, lasciare lo sportello del forno aperto per evitare che il forno si accenda accidentalmente.
8. In caso di accumulo di vapore all'interno o all'esterno dello sportello del forno, pulirlo con un panno morbido. Ciò potrebbe verificarsi quando il forno a microonde viene utilizzato in condizioni di elevata umidità. Ed è normale.
9. Occasionalmente è necessario rimuovere il vassoio di vetro per la pulizia. Lavare il vassoio in acqua calda e umida o in lavastoviglie.
10. L'anello del rullo e il pavimento del forno dovrebbero essere puliti regolarmente per evitare una rumorosità eccessiva. Basta pulire la superficie inferiore del forno con un detergente delicato. L'anello del rullo potrebbe essere lavato in acqua tiepida o in lavastoviglie. Quando si rimuove l'anello del rullo dal pavimento del forno per la pulizia, assicurarsi di rimetterlo nella posizione corretta.
11. Rimuovere gli odori dal forno mettendo insieme una tazza d'acqua con il succo e la buccia di un limone in una ciotola profonda per microonde, lasciandola nel microonde per 5 minuti. Pulire accuratamente e asciugare con un panno morbido.
12. Quando diventa necessario sostituire la luce del forno, si prega di consultare un rivenditore per farla sostituire.
13. Il forno deve essere pulito regolarmente ed ogni deposito di cibo deve essere rimosso. La mancata pulizia del forno potrebbe portare al deterioramento della superficie influenzando la durata dell'apparecchiatura e comportando una situazione di pericolo.
14. Si prega di non gettare questo apparecchio nella spazzatura domestica, ma di smaltirlo nel centro di smaltimento specifico previsto dai comuni.
15. Quando il forno a microonde con funzione grill viene usato per la prima volta, potrebbe produrre un leggero fumo e odore. Questo è un fenomeno normale perché il forno è costituito da una piastra d'acciaio rivestita di olio lubrificante, e il nuovo forno produrrà fumi e odori generati dalla combustione dell'olio lubrificante stesso. Questo fenomeno scomparirà dopo un certo periodo di utilizzo.

## 5 Pulizia e cura

### 5.2 Conservazione

- Se non si intende usare l'apparecchio per molto tempo, conservatelo con cura.
- Assicurarsi che l'apparecchio sia scollegato, raffreddato e completamente asciutto.
- Conservare l'apparecchio in un luogo fresco e asciutto.
- Tenere l'apparecchio fuori dalla portata dei bambini

### 5.3 Manipolazione e trasporto

- Durante la manipolazione e il trasporto, trasportare l'apparecchio nel suo imballo originale. L'imballaggio dell'apparecchio lo protegge da danni fisici.
- Non appoggiare carichi pesanti sull'apparecchio o sull'imballaggio. L'apparecchio potrebbe essere danneggiato.
- La caduta dell'apparecchio ne causerà il malfunzionamento o potrebbe essere causa di danni permanenti.

## 6 Guida alla risoluzione dei problemi

Problema	Possibile soluzione
Se il forno non funziona	Controllare che il forno sia collegato in sicurezza. In caso contrario, togliere la spina dalla presa, aspettare 10 secondi e ricollegarla in sicurezza.
	Controllare se vi sia un fusibile bruciato o che un interruttore principale sia scattato. Se sembrano funzionare correttamente, provare la presa con un altro apparecchio.
	Controllare che il pannello di controllo sia programmato correttamente e che il timer sia impostato.
	Controllare che lo sportello sia chiuso in modo sicuro inserendo il sistema di blocco di sicurezza dello sportello stesso. Altrimenti, l'energia delle microonde non si propagherà nel forno.
Se nessuna di queste soluzioni risolve la situazione, allora contattare un tecnico qualificato. Non cercare di regolare o riparare il forno autonomamente.	



## CERTIFICATO DI GARANZIA

La presente garanzia commerciale si intende aggiuntiva e non sostitutiva di ogni altro diritto di cui gode il consumatore, intendendo per consumatore esclusivamente colui che utilizza il bene per scopi estranei all'attività imprenditoriale o professionale eventualmente svolta e pertanto per uso domestico/privato, e in particolare non pregiudica in alcun modo i diritti del consumatore stabiliti dal Dlgs 206/05. BEKO Italy S.r.l. in conformità alla facoltà prevista dalla legge, offre al consumatore una garanzia commerciale aggiuntiva, nei termini e nei modi di seguito indicati.

Questo certificato non deve essere spedito per la convalida. È valido e operante solo se conservato assieme alla ricevuta fiscale o altro documento reso fiscalmente obbligatorio.

### Condizioni di Garanzia

1. BEKO Italy S.r.l. garantisce l'apparecchio per un periodo di 2 anni dalla data di acquisto (12 mesi se acquistato con fattura di vendita e non con scontrino fiscale).
2. La garanzia è valida esclusivamente sul territorio italiano compresa la Repubblica di San Marino e la città del Vaticano e deve essere comprovata da scontrino fiscale o fattura, che riporti il nominativo del Rivenditore, la data di acquisto dell'apparecchio nonché gli estremi e identificativi dello stesso (tipo, modello).
3. Per garanzia s'intende la sostituzione o riparazione gratuita delle parti componenti l'apparecchio che sono risultate difettose all'origine, per vizi di fabbricazione.
4. L'utente decade dai dritti di garanzia se non denuncia il difetto di conformità entro 2 mesi dalla scoperta dello stesso.
5. Diritto di Chiamata: gratuita per i primi 12 mesi di garanzia, a pagamento per gli altri 12 mesi nel caso l'utente non sia in grado di provare che il difetto sia dovuto a vizio di conformità del prodotto.
6. Manodopera e ricambi gratuiti per i 24 mesi del periodo di garanzia.
7. L'intervento di riparazione viene effettuato presso il centro di assistenza reperibile presso il call centre e sul sito [www.beko.it](http://www.beko.it), fatto salvo i casi di impossibilità oggettiva o di forza maggiore.
8. La riparazione o sostituzione dei componenti o dell'apparecchio stesso, non estendono la durata della garanzia.
9. Tutte le parti asportabili e tutte le parti estetiche, non sono coperte da garanzia.
10. Tutti i materiali soggetti ad usura non sono coperti da garanzia a meno che venga dimostrata la difettosità risalente a vizio di fabbricazione delle stesse.
11. La BEKO Italy S.r.l. declina ogni responsabilità per eventuali danni che possano derivare, direttamente od indirettamente, a persone e cose come conseguenza del mancato rispetto delle istruzioni tutte, incluse nell'apposito Manuale per l'uso dell'apparecchio allegato a ciascuno apparecchio, da parte dell'utente ed in particolar modo per quanto concerne le avvertenze relative alla installazione, all'uso ed alla manutenzione dell'apparecchio stesso.
12. La garanzia non diventa operante e l'assistenza sarà effettuata totalmente a pagamento nei seguenti casi:
  - a. Danni dovuti al trasporto o alla movimentazione delle merci.
  - b. Interventi di installazione e montaggio, così come l'errata connessione o errata erogazione dalle reti di alimentazione, mancanza di allacciamento alla presa di terra.
  - c. Installazione errata, imperfetta o incompleta, per incapacità d'uso da parte dell'Utente, se mancano gli spazi necessari ad operare attorno ai prodotti, per eccessiva o scarsa temperatura dell'ambiente,.
  - d. Interventi nei quali non è stato riscontrato il difetto lamentato, o per generici problemi di funzionamento causati da errata impressione del cliente
  - e. Danni causati da agenti atmosferici ( fulmini, terremoti, incendi, alluvioni, ecc.)
  - f. Se il numero di matricola risulta asportato, cancellato o manomesso.
  - g. Riparazioni, modifiche o manomissioni effettuate da persone non autorizzate dal produttore o comunque per cause non dipendenti dal prodotto. Per guasti dovuti a mancanza di regolare manutenzione ( pulizia e manutenzione del prodotto.).
  - h. Mancanza dei documenti fiscali o se gli stessi risultano contraffatti o non inerenti al prodotto.
  - i. L'uso improprio dell'apparecchio, non di tipo domestico o diverso da quanto stabilito dal produttore, fa decadere il dritto alla Garanzia.
  - j. Per tutte le circostanze esterne che non siano riconducibili a difetti di fabbricazione dell'elettrodomestico.
  - k. Si intendono a pagamento anche tutti gli eventuali trasporti necessari per lo svolgimento degli interventi legati ai casi citati.

Il Servizio Assistenza di BEKO Italy S.r.l. è l'unico autorizzato a riparare i prodotti a marchio BEKO. Per ogni controversia è competente il foro di Milano.

Durante e dopo il periodo di garanzia, vi consigliamo di rivolgervi sempre ai nostri centri di assistenza autorizzati. Per contattare il Centro di Assistenza Tecnica Autorizzato operante nella sua zona chiami il numero unico per l'Italia:

**02.03.03**

Prima di contattare l'assistenza tecnica, al fine di agevolare la gestione della chiamata, è necessario avere a portata di mano il modello del prodotto e il documento fiscale di acquisto.

# Proszę najpierw przeczytać tę instrukcję obsługi!





Szanowny Kliencie,

dziękujemy za wybranie urządzenia marki Beko. Mamy nadzieję, że zakupione urządzenie, wyprodukowane z zapewnieniem wysokiej jakości przy użyciu najnowszych technologii, okaże się w pełni zadowalające. W tym celu przed użyciem urządzenia należy uważnie przeczytać całą instrukcję obsługi oraz dołączone dokumenty i zachować je do wglądu na przyszłość. Przekazując urządzenie innemu użytkownikowi, należy dołączyć również niniejszą instrukcję. Należy postępować zgodnie z instrukcjami, zwracając uwagę na wszystkie informacje i ostrzeżenia zamieszczone w niniejszym dokumencie.

Należy pamiętać, że niniejsza instrukcja może odnosić się także do innych modeli. Różnice pomiędzy modelami są wyraźnie opisane w instrukcji.

## Znaczenie symboli

W różnych częściach niniejszej instrukcji obsługi stosowane są następujące symbole:

	Ważne informacje i przydatne wskazówki dotyczące użytkowania.
	Ostrzeżenia dotyczące sytuacji zagrażających bezpieczeństwu, życiu i mieniu.
	Ostrzeżenie przed gorącymi powierzchniami.
	Ostrzeżenie przed porażeniem elektrycznym.



**PAPIER Z RECYKLINGU  
I NADAJĄCY SIĘ  
DO PONOWNEGO  
PRZETWORZENIA**

Urządzenie zostało wyprodukowane w przyjaznym środowisku, nowoczesnych zakładach bez negatywnego wpływu na przyrodę.

---

# 1 Ważne instrukcje dotyczące bezpieczeństwa i ochrony środowiska naturalnego

## Ważne informacje dotyczące bezpieczeństwa Przeczytaj uważnie i zachowaj na przyszłość

### 1.1 Ostrzeżenia dotyczące bezpieczeństwa

Rozdział ten zawiera instrukcje bezpieczeństwa, które pomogą w uniknięciu pożaru, porażenia prądem, narażenia na wyciek energii mikrofalowej, obrażeń ciała lub uszkodzenia mienia. Nieprzestrzeganie tych instrukcji unieważnia udzielone gwarancje.

- Kuchenka mikrofalowa firmy Beko spełnia wszystkie wymagania stosowanych norm bezpieczeństwa. W przypadku jakiegokolwiek uszkodzenia urządzenia lub przewodu zasilającego, aby uniknąć wszelkich zagrożeń należy oddać je do naprawy lub wymiany przez sprzedawcę, punkt serwisowy lub specjalistę albo autoryzowany serwis. Niewłaściwa lub niewykwalifikowana naprawa może spowodować niebezpieczeństwo i zagrożenie dla użytkownika.
- Urządzenie to jest przeznaczone do użytku domowego lub w podobnych miejscach, np.:

- w kuchniach personelu sklepu, biur i innych środowisk pracy;
  - w zabudowaniach gospodarczych
  - hotelach i innych obiektach mieszkalnych;
  - w obiektach typu nocleg ze śniadaniem (B&B).
- Nie nadaje się on do użytku przemysłowego lub laboratoryjnego.
  - Nie uruchamiaj mikrofal, gdy drzwiczki są otwarte; w przeciwnym razie możesz być narażony na działanie szkodliwej energii mikrofal. Nie należy wyłączać ani modyfikować zamków bezpieczeństwa.
  - Kuchenka mikrofalowa jest przeznaczona do podgrzewania potraw i napojów. Suszenie żywności lub odzieży oraz ogrzewanie poduszek rozgrzewających, kapci, gąbek, wilgotnej szmatki itp. może prowadzić do obrażeń, zapalenia lub pożaru.
  - Nie umieszczaj żadnych przedmiotów między przednią częścią a drzwiczkami. Nie dopuszczaj do gromadzenia się brudu lub resztek środka czyszczącego na powierzchniach zamknięcia.
  - Wszelkie prace serwisowe polegające na zdjęciu osłony chroniącej przed promieniowaniem mikrofal

# 1 Ważne instrukcje dotyczące bezpieczeństwa i ochrony środowiska naturalnego

muszą być wykonywane przez upoważnione osoby/serwis. Każde inne prace są niebezpieczne.

- Produkt jest przeznaczony do gotowania, podgrzewania i rozmrażania żywności w domu. Nie może być używany do celów handlowych.
- Kuchenka mikrofalowa nie jest przeznaczona do suszenia jakichkolwiek żywych istot.
- Nie używaj urządzenia do suszenia ubrań ani ręczników kuchennych.
- Nie używaj urządzenia na zewnątrz, w łazienkach, w wilgotnym środowisku lub w miejscach, w których może ulec zamoczeniu.
- Firma nie ponosi odpowiedzialności ani nie zapewnia gwarancji za szkody wynikające z niewłaściwego użytkowania lub niewłaściwej obsługi urządzenia.
- Nie należy próbować rozkładać tego urządzenia na części. Za szkody spowodowane nieprawidłową obsługą nie przysługują żadne roszczenia gwarancyjne.
- Należy stosować wyłącznie oryginalne lub zalecane przez producenta części zamienne.
- Nie pozostawiaj urządzenia bez nadzoru, gdy jest podłączone.
- Zawsze używaj urządzenia na stabilnej, płaskiej, czystej, suchej i antypoślizgowej powierzchni.
- Urządzenie nie powinno być używane w połączeniu z zewnętrznym wyłącznikiem czasowym lub osobnym urządzeniem sterującym.
- Przed pierwszym użyciem wyczyść wszystkie części. Szczegółowe informacje można znaleźć w rozdziale „Czyszczenie i konserwacja”.
- To urządzenie należy używać tylko zgodnie z jego przeznaczeniem, w sposób opisany w niniejszej instrukcji.
- Podczas pracy urządzenie bardzo się nagrzewa. Uważaj, aby nie dotknąć gorących części wewnątrz mikrofalówki.
- Nie włączaj kuchenki, gdy jest pusta.
- Naczynie do gotowania może się nagrzewać na skutek przenoszenia ciepła z podgrzanej żywności do naczynia. Możesz potrzebować rękawic kuchennych do przytrzymania naczynia.
- Naczynia należy sprawdzić, aby upewnić się, że nadają się do użytku w kuchenkach mikrofalowych.



# 1 Ważne instrukcje dotyczące bezpieczeństwa i ochrony środowiska naturalnego

- Nie umieszczaj mikrofalni na kuchence ani innych urządzeniach wytwarzających ciepło. W przeciwnym razie urządzenie może ulec uszkodzeniu, a gwarancja straci ważność.
- Podczas podnoszenia pokryw lub folii po gotowaniu może wydostawać się para.
- Urządzenie i jego powierzchnie mogą być bardzo gorące podczas pracy.
- Drzwiczki i szyba zewnętrzna mogą być bardzo gorące podczas pracy.
- Upewnij się, że zasilanie z domowej sieci elektrycznej jest zgodne z informacjami podanymi na tabliczce znamionowej urządzenia.
- Jedynym sposobem odłączenia urządzenia od zasilania jest wyjęcie wtyczki z gniazdka.
- Używaj urządzenia tylko z uziemionym gniazdem.
- Nie używaj urządzenia, jeśli kabel zasilania lub wtyczka są uszkodzone.
- Z urządzeniem nie należy używać przedłużaczy.
- Nigdy nie dotykaj urządzenia ani wtyczki wilgotnymi lub mokrymi rękami.
- Ustaw urządzenie w taki sposób, aby wtyczka była zawsze dostępna.
- Aby zapobiec uszkodzeniu przewodu zasilającego, nie wolno dopuścić do jego ściskania, zginania lub ocierania o ostre krawędzie. Trzymaj kabel zasilania dala od gorących powierzchni i otwartego ognia.
- Upewnij się, że nie ma niebezpieczeństwa przypadkowego pociągnięcia przewodu zasilającego lub potknięcia się o niego podczas użytkowania urządzenia.
- Przed każdym czyszczeniem oraz gdy urządzenie nie jest używane należy odłączyć je od zasilania.
- Nie ciągnąć za kabel zasilający urządzenia w celu odłączenia go od źródła zasilania i nigdy nie owijać go wokół urządzenia.
- Nie zanurzaj urządzenia, przewodu zasilającego ani wtyczki w wodzie ani w innych cieczach. Nie myć pod bieżącą wodą.
- Podczas odgrzewania jedzenia w plastikowych lub papierowych pojemnikach, zwracaj na urządzenie szczególną uwagę ze względu na możliwy samozapłon.
- Przed umieszczeniem pożywienia w kuchence usuń z niego druciki

# 1 Ważne instrukcje dotyczące bezpieczeństwa i ochrony środowiska naturalnego

i/lub metalowe uchwyty z papierowych lub plastikowych torebek.

- Jeśli z urządzenia wydostaje się dym, wyłącz je lub wyjmij wtyczkę z kontaktu, jeśli jest to bezpieczne, i nie otwieraj drzwiczek, aby zdusić ewentualne płomienie.
- Nie używaj wnętrza kuchenki do przechowywania rzeczy. Jeśli kuchenka nie jest używana nie należy zostawiać w niej papierowych przedmiotów, materiałów do gotowania ani żywności, gdy nie jest używana.
- Aby uniknąć poparzeń, zawartość butelek do karmienia niemowląt i słoiczków z jedzeniem powinna zostać wymieszana lub wstrząśnięta, a temperatura pożywienia sprawdzona przed jedzeniem.
- Niniejsze urządzenie należy do grupy 2 klasy B ISM. Grupa 2 obejmuje cały sprzęt ISM (przemysłowy, naukowy i medyczny), w którym energia o częstotliwości radiowej jest celowo generowana i/lub wykorzystywana w postaci promieniowania elektromagnetycznego do obróbki materiałów oraz sprzęt do erozji iskrowej.
- Sprzęt klasy B nadaje się do użytku w domach i zakładach podłączonych bezpośrednio do sieci ni-

skiego napięcia.

- Nie używaj oleju do gotowania w kuchence. Gorący olej może uszkodzić elementy i materiały piekarnika, a nawet spowodować oparzenia skóry.
- Potrawy z grubą skórką, np. ziemniaki, cukinie, jabłka i kasztany należy nakłuć.
- Urządzenie należy ustawić tak, aby tylna strona była skierowana w stronę ściany.
- Przed przenoszeniem urządzenia należy zabezpieczyć talerz obrotowy, aby zapobiec uszkodzeniu.
- Jajka w skorupkach i jajka gotowane na twardo nie powinny być podgrzewane w mikrofalówkach, gdyż mogą one eksplodować, nawet po skończeniu podgrzewania.

**OSTRZEŻENIE:** Jeśli drzwiczki lub uszczelki są uszkodzone, kuchenka nie może być używana, aż do czasu jej naprawienia przez fachowca.

**OSTRZEŻENIE:** Serwisowanie i naprawy urządzenia, polegające na zdejmowaniu przez osoby niekompetentne osłony chroniącej przed energią mikrofalową, jest niebezpieczne.

# 1 Ważne instrukcje dotyczące bezpieczeństwa i ochrony środowiska naturalnego

**OSTRZEŻENIE:** Płyty i inne jedzenie nie mogą być podgrzewane w zamkniętych pojemnikach, gdyż mogą one eksplodować.

- Wnętrze mikrofalówki powinno być regularnie czyszczone, a jakiegokolwiek pozostałości jedzenia usuwane.
- Nad górną powierzchnią kuchenki powinno być co najmniej 20 cm wolnej przestrzeni.
- Nie przegrzewaj potraw; w przeciwnym razie możesz spowodować pożar.
- Nie używaj środków chemicznych ani środków czyszczących wspomaganych parą do czyszczenia urządzenia .
- Zaleca się szczególną ostrożność podczas używania urządzenia w pobliżu dzieci i osób o ograniczonych zdolnościach fizycznych, sensorycznych lub umysłowych.
- Urządzenie może być używane przez dzieci w wieku 8 lat lub starsze oraz przez osoby o ograniczonej sprawności fizycznej, sensorycznej lub umysłowej lub nieposiadające wiedzy i doświadczenia, pod warunkiem, że są one nadzorowane w zakresie bezpiecznego użytkowania produktu lub zostały odpowiednio poinstruowani lub rozumieją ryzyko

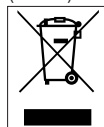
związane z używaniem produktu. Dzieci nie mogą bawić się tym urządzeniem. Czyszczenie i konserwacja nie mogą być wykonywane przez dzieci bez nadzoru.

- **Niebezpieczeństwo zadławienia!** Wszystkie opakowania należy przechowywać poza zasięgiem dzieci.
- Ze względu na nadmierne ciepło powstające podczas grillowania i trybu kombinowanego, dzieci powinny mieć możliwość korzystania z tych trybów wyłącznie pod nadzorem osoby dorosłej.
- Przechowuj urządzenie i kabel zasilający tak, aby były niedostępne dla dzieci poniżej 8 roku życia.
- Nie gotuj potraw bezpośrednio na szklanej podstawce. Umieść jedzenie w/na odpowiednich naczyniach kuchennych przed włożeniem ich do kuchenki.
- Podczas gotowania w kuchence mikrofalowej nie wolno używać metalowych pojemników na żywność i napoje. W przeciwnym razie może wystąpić iskrzenie.
- Produkt nie jest przeznaczony do obudowy. Nie należy umieszczać produktu w szafce lub pudełku, gdy jest używany.

# 1 Ważne instrukcje dotyczące bezpieczeństwa i ochrony środowiska naturalnego

## 1.2 Zgodność z dyrektywą WEEE i usuwanie odpadów:

Niniejszy wyrób jest zgodny z dyrektywą Parlamentu Europejskiego i Rady (2012/19/WE). Wyrób ten oznaczony jest symbolem klasyfikacji zużytych urządzeń elektrycznych i elektronicznych (WEEE).



Ten symbol oznacza, że sprzęt nie może być umieszczany łącznie z innymi odpadami gospodarstwa domowego po okresie jego użytkowania. Zużyte urządzenie należy oddać do specjalnego

punktu zbiórki zużytego sprzętu elektrycznego i elektronicznego w celu utylizacji. Aby uzyskać informacje o punktach zbiórki w swojej okolicy należy skontaktować się z lokalnymi władzami lub punktem sprzedaży tego produktu. Gospodarstwo domowe spełnia ważną rolę w przyczynianiu się do ponownego użycia i odzysku zużytego sprzętu. Odpowiednie postępowanie ze zużytym sprzętem zapobiega potencjalnym negatywnym konsekwencjom dla środowiska naturalnego i ludzkiego zdrowia.

## 1.3 Zgodność z dyrektywą RoHS:

Niniejszy wyrób jest zgodny z dyrektywą Parlamentu Europejskiego i Rady RoHS (Ograniczenie użycia substancji niebezpiecznych) (2011/65/WE). Nie zawiera szkodliwych i zakazanych materiałów, podanych w tej dyrektywie.

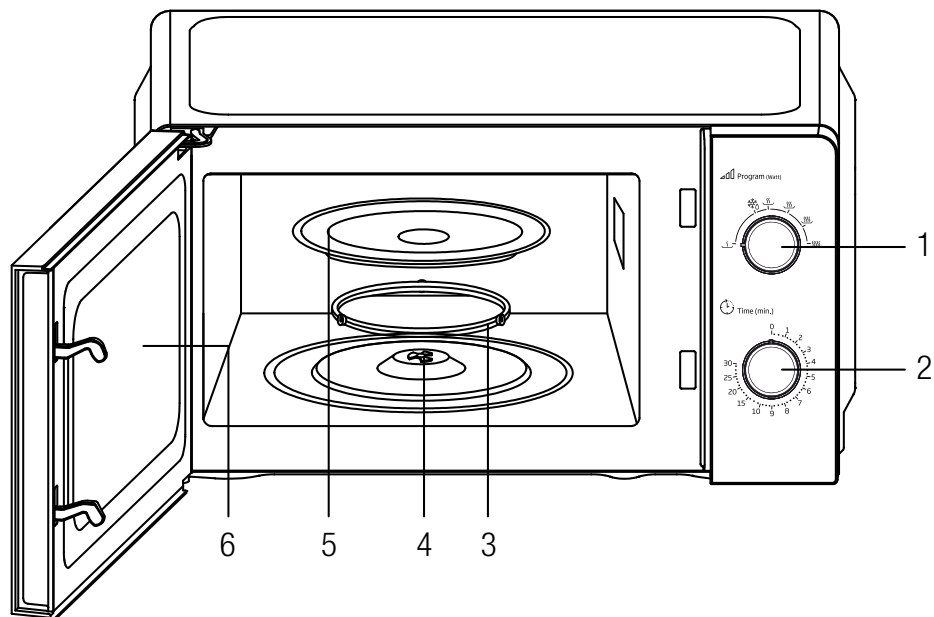
## 1.4 Informacje o opakowaniu



Opakowanie tego wyrobu wykonano z materiałów nadających się do recyklingu, zgodnie z naszym ustawodawstwem krajowym. Nie wyrzucaj materiałów opakowaniowych do śmieci wraz z innymi odpadkami domowymi. Oddaj je w jednym z wyznaczonych przez władze lokalne punktów zbiórki materiałów opakowaniowych.

## 2 Dane techniczne kuchenki

### 2.1 Opis ogólny



### Elementy sterujące i części

1. Przycisk ustawiania mocy
2. Przycisk ustawiania czasu
3. Podpora talerza obrotowego
4. Trzpień talerza obrotowego
5. Szklany talerz
6. Okno kuchenki

### 2.2 Dane techniczne

<b>Napięcie zasilania</b>	230-240V~,50Hz
<b>Łączna moc</b>	1100 W (mikrofałe)
<b>Moc wyjściowa</b>	700 W
<b>Częstotliwość robocza</b>	2450MHz
<b>Poziom mocy mikrofał</b>	6
<b>Wymiary zewnętrzne (sz*d*w)</b>	243*446*340 mm
<b>Szklany gramofon</b>	245 mm
<b>Pojemność kuchenki</b>	20 L
<b>Waga</b>	10 kg
<b>Kolor</b>	Biały / Czarny / Srebrny

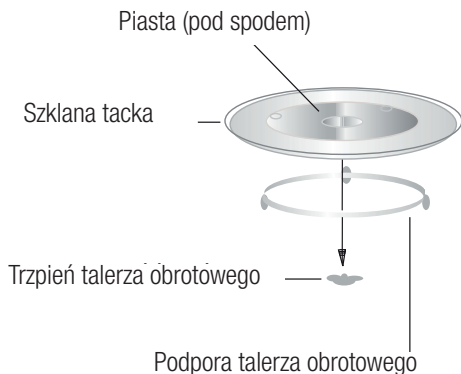
Zastrzega się prawo do wprowadzania modyfikacji technicznych oraz modyfikacji konstrukcji.

Wartości oznaczone na kuchenke i podane w innych dokumentach wraz z nim dostarczonych uzyskano w warunkach laboratoryjnych, według stosownych norm. Wartości te mogą się różnić w zależności od użytkowania urządzenia i warunków w jego otoczeniu.

## 2 Dane techniczne kuchenki

### 2.3 Zakładanie talerza obrotowego

- Nigdy nie kładź szklanej tacki do góry nogami. Nic nie powinno blokować szklanej tacki.
- Zarówno szklana tacka, jak i podpora talerza obrotowego muszą być zawsze używane w trakcie gotowania.
- Wszystkie artykuły spożywcze i pojemniki z potrawami zawsze muszą być umieszczane na szklanej tacce do gotowania.
- Jeśli szklana tacka lub podpora talerza obrotowego pękną lub złamią się, skontaktuj się z najbliższym centrum serwisowym.



## 3 Instalacja i podłączenie

### 3.1 Instalacja

1. Upewnij się, że wszystkie elementy opakowania zostały usunięte z wewnętrznej strony drzwi.



**OSTRZEŻENIE:** Sprawdź kuchenkę pod kątem uszkodzeń, takich jak złe wyrównane lub wygięte drzwi, uszkodzone uszczelki drzwi i powierzchnia uszczelniająca, złamane lub poluzowane zawiasy i zatrzaski drzwi oraz wgniecenia wewnątrz wnęki lub na drzwiach. W przypadku jakichkolwiek uszkodzeń nie wolno obsługiwać kuchenki i należy skontaktować się z wykwalifikowanym personelem serwisowym.

2. Kuchenka mikrofalowa musi być umieszczona na płaskiej, stabilnej powierzchni, która utrzyma jej ciężar i najcięższe potrawy, które mogą być w niej przygotowane.

3. Nie umieszczaj kuchenki w miejscu, w którym wytwarza się ciepło, wilgoć lub wysoka wilgotność, ani w pobliżu materiałów łatwopalnych.

4. Aby zapewnić prawidłowe działanie, kuchenka musi mieć wystarczający przepływ powietrza. Pozostaw 20 cm wolnej przestrzeni nad kuchenką, 10 cm z tyłu i 5 cm po obu stronach. Nie zakrywaj ani nie blokuj otworów w urządzeniu. Nie zdejmuj nóżek.

5. Nie uruchamiaj kuchenki bez szklanej tacy, wspornika rolkowego i wałka w odpowiednich pozycjach.

6. Upewnij się, że przewód zasilający nie jest uszkodzony i nie biegnie pod piekarnikiem lub po gorącej lub ostrej powierzchni.

7. Gniazdko musi być łatwo dostępne, aby w sytuacji awaryjnej można było łatwo odłączyć urządzenie.

8. Nie używaj urządzenia na zewnątrz.

### 3.2 Zakłócenia radiowe

Działanie kuchenki mikrofalowej może powodować zakłócenia radia, telewizora itp.

Gdy występują zakłócenia, można je zmniejszyć lub wyeliminować, stosując następujące środki:

1. Wyczyścić drzwi i powierzchnię uszczelniającą kuchenki.
2. Zmienić położenie anteny radiowej lub telewizyjnej.
3. Umieścić kuchenkę mikrofalową w innym miejscu względem odbiornika.
4. Odsuń kuchenkę mikrofalową od odbiornika.
5. Podłącz kuchenkę mikrofalową do innego gniazdka, tak aby kuchenka mikrofalowa i odbiornik znajdowały się na różnych odgałęzieniach.

### 3.3 Zasady gotowania w kuchenke mikrofalowej

1. Starannie ułóż jedzenie. Najgrubsze miejsca układaj na zewnątrz naczynia.

2. Pilnuj czasu gotowania. Gotuj przez najkrótszy wskazany czas, a w razie potrzeby go przedłuż. Mocno rozgotowane jedzenie może dymić lub zapalić się.

3. Przykryj żywność podczas gotowania. Pokrywy zapobiegają rozpryskiwaniu i pomagają równomiernie gotować potrawy.

4. Obróć żywność raz podczas gotowania w kuchenke mikrofalowej, aby przyspieszyć gotowanie takich potraw, jak kurczak i hamburgery. Duże produkty, takie jak pieczeń, należy przynajmniej raz obrócić na drugą stronę.

5. Obróć potrawy, takie jak klopsiki, w połowie pieczenia, od góry do dołu i od środka naczynia na zewnątrz.

## 3 Instalacja i podłączenie

### 3.4 Instrukcje dotyczące uziemienia

Urządzenie musi być uziemione. Kuchenka jest wyposażona w przewód uziemiający i wtyczką z uziemieniem. Wtyczka musi być włożona do gniazdko, które jest właściwie zainstalowane i uziemione. W przypadku zwarcia, uziemienie redukuje ryzyko porażenia prądem dzięki przewodowi odprowadzającemu. Zaleca się zapewnienie oddzielnego obwodu obsługującego tylko kuchenkę. Używanie wysokiego napięcia jest niebezpieczne i może spowodować pożar lub inny wypadek powodujący uszkodzenie kuchenki.



**OSTRZEŻENIE:** Niewłaściwe korzystanie z wtyczki uziemiającej może stwarzać ryzyko porażenia prądem.



Jeśli masz jakiegokolwiek pytania dotyczące uziemienia lub instrukcji elektrycznych, skonsultuj się z wykwalifikowanym elektrykiem lub pracownikiem serwisu.



Ani producent, ani sprzedawca nie ponoszą żadnej odpowiedzialności za uszkodzenie kuchenki lub obrażenia ciała wynikające z nieprzestrzegania procedur podłączenia elektrycznego.

Kable w przewodzie są kolorowe zgodnie z następującym kodem:

**Zielony i Żółty = UZIEMIENIE**

**Niebieski = NEUTRALNY**

**Brazowy = PRĄD**

### 3.5 Instrukcja obsługi naczyń

1. Mikrofałe nie mogą przenikać przez metal. Używaj tylko sprzętu kuchennego odpowiedniego do użytku w kuchenkach mikrofalowych. Podczas gotowania w kuchenke mikrofalowej nie wolno używać metalowych pojemników na żywność i napoje. Wymóg ten nie ma zastosowania, jeśli producent określa rozmiar i kształt metalowych pojemników odpowiednich do gotowania w kuchenke mikrofalowej.
2. Mikrofałe nie mogą przenikać przez metal, dlatego nie należy używać metalowych przyborów kuchennych ani naczyń z metalowymi elementami.
3. Podczas gotowania w kuchenke mikrofalowej nie należy używać produktów z papieru z recyklingu, ponieważ mogą one zawierać małe fragmenty metalu, które mogą wywołać iskry i/lub pożar.
4. Zalecane są raczej okrągłe/owalne naczynia niż kwadratowe/podłużne, ponieważ potrawy w rogach mają tendencję do przypalania.
5. Można użyć wąskich pasków folii aluminiowej, aby zapobiec przypaleniu odsłoniętych miejsc. Ale uważaj, nie używaj zbyt dużo i zachowaj odległość 1 cala (2,54 cm) między folią a wgłębieniem.

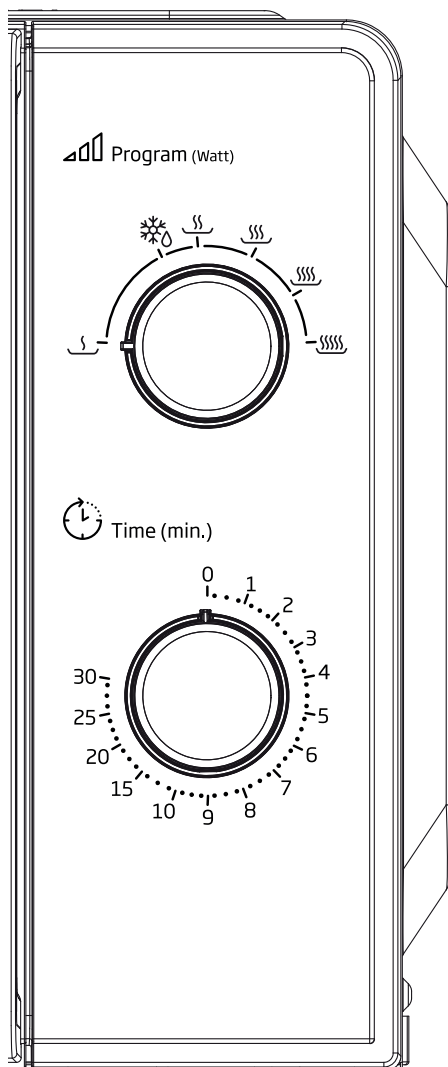
Poniższa lista jest ogólnym przewodnikiem, który pomoże Ci wybrać odpowiednie przybory.

Naczynia	Mikrofalówka
Szkoło żaroodporne	Tak
Szkoło nieżaroodporne	Nie
Ceramika żaroodporna	Tak
Plastikowe naczynie bezpieczne w kuchenke mikrofalowej	Tak
Ręcznik kuchenny	Tak
Metalowa taca	Nie
Metalowa stojak	Nie
Folia aluminiowa i pojemniki z folii	Nie



## 4 Obsługa

### 4.1 Panel sterowania



Panel sterowania składa się z dwóch funkcji. Jedna to pokrętko timera, a druga - pokrętko mocy.

#### **Pokrętko mocy**

Za pomocą tego pokrętkła można wybrać poziom mocy gotowania. To pierwszy krok do rozpoczęcia gotowania.

#### **Pokrętko timera**

Wizualne ustawienia czasu za pomocą łatwego obracania kciukiem, aby wybrać żądany czas gotowania do 30 minut.

#### **Gotowanie w kuchence mikrofalowej**

W przypadku gotowania w kuchence mikrofalowej istnieje sześć poziomów mocy, z których można wybrać taki, który najlepiej pasuje do potrawy.

Poziomy mocy wzrasta wraz z obracaniem pokrętkła w prawo. Poziomy mocy można sklasyfikować w następujący sposób:

	<b>Moc wyjściowa</b>	<b>Opis</b>
1	100%	Wysokie
2	88%	M. wysokie
3	73%	Śred.
4	52%	M. niskie
5	42%	Rozmrażanie
6	20%	Niskie

### 4.2 Obsługa

Aby rozpocząć gotowanie

1. Umieść żywność w mikrofalówce i zamknij drzwi.
2. Obróć pokrętko mocy (1), aby wybrać poziom mocy.
3. Przekręć pokrętko timera, (2) aby ustawić czas gotowania.



Po obróceniu timera urządzenie rozpoczyna gotowanie. W przypadku wybrania czasu krótszego niż 2 minuty przekręć timer poza 2 minuty, a następnie wróć do właściwego czasu.



**UWAGA:** Zawsze przywróć timer z powrotem do pozycji zerowej, jeśli żywność zostanie wyjęta z piekarnika przed upływem ustawionego czasu gotowania lub gdy urządzenie nie jest używane. Aby zatrzymać mikrofalę podczas gotowania, należy nacisnąć przycisk zwalniania drzwi lub otworzyć drzwi za uchwyt.

## 5 Czystczenie i konserwacja

### 5.1 Czystczenie i konserwacja



**OSTRZEŻENIE:** Do czyszczenia urządzenia nie wolno używać benzyny, rozpuszczalnika, ściernych środków czyszczących, metalowych przedmiotów ani twardych szczotek.



**OSTRZEŻENIE:** Nigdy nie wolno zanurzać urządzenia ani jego kabla zasilającego w wodzie ani w żadnym innym płynie.

1. Przed czyszczeniem wyłącz kuchenkę i wyjmij wtyczkę z gniazdka.
2. Poczekaj, aż urządzenie całkiem ostygnie.
3. Utrzymuj wnętrze kuchenki w czystości. Gdy odpryski jedzenia lub rozlane płyny przyłgną do ścianek kuchenki, przetrzyj je wilgotną szmatką. W przypadku silnego zabrudzenia piekarnika można użyć łagodnego detergentu. Unikaj używania sprayu i innych agresywnych środków czyszczących, ponieważ mogą one popalić, zostawić zacieki lub zmatowić powierzchnię drzwi.
4. Powierzchnie zewnętrzne należy czyścić wilgotną szmatką. Aby zapobiec uszkodzeniu części roboczych wewnątrz kuchenki, woda nie powinna przedostawać się do otworów wentylacyjnych.
5. Często przecieraj drzwi i okno po obu stronach, uszczelki drzwi i sąsiednie części wilgotną szmatką, aby usunąć wszelkie wycieki lub odpryski. Nie używaj ściernych środków czyszczących.
6. Nie używaj parownicy.
7. Nie dopuszczaj do zamoczenia panelu sterowania. Czyść miękką, wilgotną szmatką. Podczas czyszczenia panelu sterowania pozostaw otwarte drzwiczki, aby zapobiec przypadkowemu włączeniu kuchenki.
8. Jeśli para gromadzi się wewnątrz lub na zewnątrz drzwiczek, należy wytrzeć je miękką szmatką. Może się to zdarzyć, gdy kuchenka mikrofalowa pracuje w warunkach wysokiej wilgotności. Jest to normalne.
9. Czasami konieczne jest wyjęcie szklanego talerza do czyszczenia. Umyj talerz w ciepłej wodzie z mydłem lub w zmywarce.
10. Pierścień rolkowy i dno piekarnika należy regularnie czyścić, aby uniknąć nadmiernego hałasu. Wystarczy wytrzeć dolną powierzchnię kuchenki łagodnym detergentem. Podporę talerza obrotowego można myć w łagodnej wodzie z mydłem lub w zmywarce. Podczas wyjmowania podpory talerza obrotowego w celu czyszczenia, należy upewnić się, że została ona założona we właściwej pozycji.
11. Usuń zapachy z kuchenki, łącząc filiżankę wody z sokiem i skórką jednej cytryny w głębokiej misce do kuchenki mikrofalowej, gotując przez 5 minut. Wytrzyj i wysusz dokładnie miękką szmatką.
12. Gdy zajdzie potrzeba wymiany żarówki kuchenki, skonsultuj się ze sprzedawcą w celu jej wymiany.
13. Wnętrze mikrofalówki powinno być regularnie czyszczone, a jakiegokolwiek pozostałości jedzenia usuwane. Nieutrzymywanie urządzenia w czystości może prowadzić do spadku jakości powierzchni i może mieć negatywny skutek na żywotność urządzenia, a nawet doprowadzić do niebezpiecznych sytuacji.
14. Nie wyrzucać tego urządzenia do śmieci komunalnych; należy go przekazać do odpowiedniego punktu utylizacji udostępnionego przez gminę.
15. Przy pierwszym użyciu kuchenki mikrofalowej z funkcją grilla może wydzielać się lekki dym i zapach. Jest to normalne zjawisko, ponieważ piekarnik jest wykonany ze stalowej płyty pokrytej olejem smarującym, a nowy piekarnik będzie wytwarzał opary i zapachy generowane przez spalanie oleju smarującego. Zjawisko to zniknie po pewnym okresie użytkowania.

## 5 Czyszczenie i konserwacja

### 5.2 Przechowywanie

- Jeśli urządzenie nie będzie używane przez dłuższy czas, należy je starannie przechowywać.
- Przed podniesieniem urządzenia odłącz je od zasilania i pozwól całkowicie ostygnąć.
- Przechowuj urządzenie i jego akcesoria w ich oryginalnych opakowaniach.
- Urządzenie należy przechowywać w chłodnym, suchym miejscu.
- Urządzenie należy trzymać poza zasięgiem dzieci.

### 5.3 Przenoszenie i transport

- Urządzenie należy przenosić i transportować w oryginalnym opakowaniu. Zabezpiecza ono urządzenie przed fizycznymi uszkodzeniami.
- Nie wolno umieszczać ciężkich ładunków na urządzeniu lub opakowaniu. Może to spowodować uszkodzenie urządzenia.
- Upuszczenie urządzenia może spowodować jego awarię lub trwałe uszkodzenie.

## 6 Rozwiązywanie problemów

Problem	Możliwe rozwiązanie
Jeśli kuchenka nie działa	Sprawdź, czy kuchenka jest prawidłowo podłączona. Jeśli nie, wyjmij wtyczkę z gniazdka, odczekaj 10 sekund i podłącz ponownie w bezpieczny sposób.
	Sprawdź, czy nie przepalił się bezpiecznik obwodu lub nie wyłączył się główny wyłącznik automatyczny. Jeśli wydaje się, że działają one prawidłowo, sprawdź gniazdko za pomocą innego urządzenia.
	Sprawdź, czy centrala jest zaprogramowana poprawnie, a timer jest ustawiony.
	Sprawdź, czy drzwi są bezpiecznie zamknięte, włączając system blokady zabezpieczającej drzwi. W przeciwnym razie energia mikrofalowa nie dotrze do kuchenki.
Jeśli żadne z powyższych nie rozwiązuje problemu, skontaktuj się z wykwalifikowanym technikiem. Nie próbuj samodzielnie regulować ani naprawiać kuchenki.	

Droży Klienci,

Dziękujemy za zakup naszych produktów. Jesteśmy przekonani, że nasze urządzenia będą służyć przez lata. Każdy produkt firmy Beko jest objęty 2-letnim okresem gwarancji.

### **Warunki gwarancji Beko S.A. (małe urządzenia AGD)**

BEKO spółka akcyjna z siedzibą w Warszawie (02-819), przy ulicy Puławskiej 366, wpisana do rejestru przedsiębiorców prowadzonego przez Sąd Rejonowy dla m.st. Warszawy w Warszawie, XIII Wydział Gospodarczy Krajowego Rejestru Sądowego, pod numerem: 0000078147 (dalej: „BEKO”) udziela gwarancji jakości (dalej: „Gwarancja”) na wprowadzone przez BEKO do obrotu na terenie Polski produkty marki BEKO (dalej: „Urządzenia”) osobom, które nabyły te produkty („Użytkownik”) na następujących warunkach:

#### **I. ZAKRES OCHRONY.**

BEKO gwarantuje, że Urządzenie zakupione przez Użytkownika jest wolne od wad produkcyjnych lub materiałowych, powstałych z przyczyn tkwiących w tym Urządzeniu (dalej: „Wada”), które ujawnią się w ciągu terminu określonego w części II. niniejszych Warunków Gwarancji (dalej: „Okres Gwarancyjny”).

W razie ujawnienia się Wady Produktu w trakcie Okresu Gwarancyjnego, zostanie ona usunięta na koszt BEKO w sposób uzależniony od właściwości wady, na zasadach i w zakresie określonym w niniejszych Warunkach Gwarancji.

BEKO zobowiązuje się do usunięcia Wady poprzez dokonanie nieodpłatnej naprawy lub wymiany Urządzenia, bądź też reklamacja zgłoszona na podstawie niniejszych Warunków Gwarancji zostanie rozpatrzona w inny sposób uzgodniony przez BEKO i Użytkownika.

Udzielona gwarancja jest ważna na terytorium Rzeczypospolitej Polskiej.

#### **II. CZAS TRWANIA GWARANCJI.**

Okres Gwarancyjny wynosi 24 miesiące licząc od daty zakupu Urządzenia przez pierwszego Użytkownika.

#### **III. PROCEDURA ZGŁOSZENIA REKLAMACYJNEGO.**

Wady Urządzenia ujawnione w Okresie Gwarancyjnym będą usuwane pod warunkiem przedstawienia przez Użytkownika dowodu zakupu tego Urządzenia zawierającego oznaczenia niezbędne do jego identyfikacji (model, datę zakupu).

Uprawnienia wynikające z niniejszych Warunków Gwarancji mogą być zrealizowane przez Użytkownika wyłącznie w Autoryzowanych Punktach Serwisowych BEKO (dalej: „Serwis”) po uprzednim dokonaniu zgłoszenia na Infolinii BEKO pod numerem telefonu: 22 250 14 14. Urządzenie powinno być odpowiednio zapakowane i zabezpieczone przez Użytkownika na czas transportu do punktu serwisowego Beko.

Wady Urządzenia będą usunięte w terminie 14 dni od daty zgłoszenia Wady na Infolinii BEKO. Jeżeli część zamienna wymieniana w ramach uprawnień wynikających z niniejszych Warunków Gwarancji Urządzenia jest sprowadzana z zagranicy, termin naprawy, o którym mowa w punkcie 5 powyżej, może ulec wydłużeniu jednak, nie więcej niż do 30 dni licząc

odpowiednio od daty zgłoszenia Wady na Infolinii BEKO. Informacje o spodziewanych terminach napraw dostępne są na Infolinii BEKO pod numerem 22 250 14 14. Po usunięciu Wady, Urządzenie zostanie dostarczone Użytkownikowi na koszt BEKO.

#### **IV. WYŁĄCZENIA.**

Warunkiem skorzystania z niniejszych Warunków Gwarancji jest:

- użytkowanie Urządzenia zgodnie z Instrukcją Obsługi dołączoną do tego Urządzenia i jego przeznaczeniem, jak również odpowiednie czyszczenie i konserwacje Urządzenia;
- użytkowanie w warunkach indywidualnego gospodarstwa domowego. Urządzenie nie jest używane do celów prowadzenia działalności gospodarczej lub w zastosowaniach eksploatacji masowej, w szczególności w gastronomicznej działalności hoteli, restauracji i innych obiektów turystyczno-rekreacyjnych lub zbiorowego żywienia. Stosowanie osprzętu zalecanego przez producenta; brak ingerencji w Urządzenie przez osoby do tego nieupoważnione; brak ingerencji w tabliczkę znamionową z numerem seryjnym Urządzenia.

Udzielona przez Beko Gwarancja nie obejmuje:

- wad powstałych z przyczyn innych niż tkwiące w Urządzeniu;
- normalnego zużycia elementów eksploatacyjnych tj. akumulatory, baterie, noże, filtry, żarówki, szczotki, itp.;
- czynności przewidzianych w Instrukcji Obsługi, do wykonania których zobowiązany jest Użytkownik Urządzenia we własnym zakresie i na swój koszt, w tym: instruktażu dotyczącego obsługi Urządzenia, instalacji oraz regulacji urządzenia.
- usterek powstałych w wyniku nieprawidłowego lub niewłaściwego użytkowania, niedbalstwa, przypadkowego uszkodzenia Urządzenia, nieodpowiedniego napięcia prądu lub dokonania jakichkolwiek zmian, które mają wpływ na niewłaściwe działanie Urządzenia, i które naprawiane były przez osoby nieupoważnione, używania instalacji niezgodnych z odpowiednimi Polskimi Normami i innych niż wymienione w Instrukcji Obsługi Urządzenia; uszkodzeń mechanicznych, termicznych, chemicznych, korozji, innych uszkodzeń spowodowanych działaniem lub zaniedbaniem Użytkownika lub powstałych na skutek działania sił zewnętrznych (do których zalicza się w szczególności wyładowania atmosferyczne, skoki napięcia, wszystkiego rodzaju awarie domowej instalacji wodno-kanalizacyjnej, itp.), a także powstałych na skutek przedostania się zanieczyszczeń lub ciał obcych do Urządzenia, zakamienienia (proces odkamieniania musi być przeprowadzany zgodnie z instrukcją obsługi z użyciem odpowiednich środków czyszczących) elementów ze szkła, plastiku oraz porcelany; odbarwień Urządzenia lub poszczególnych jego części;
- usterek powstałych na skutek przechowywania i użytkowania Urządzenia w warunkach, które są niezgodne z normalnymi warunkami domowymi określonymi wymaganiami powszechnie obowiązujących przepisów prawa i odpowiednich Polskich Norm;

#### **V. POZOSTAŁE POSTANOWIENIA.**

Niniejsze warunki gwarancji mają zastosowanie do Urządzeń zakupionych od dnia 01.03.2019 r. Gwarant oświadcza, że niniejsza Gwarancja jest udzielana Użytkownikowi dodatkowo i nie wyłącza, nie ogranicza ani nie zawieszają uprawnień Użytkownika wynikających z przepisów o rękojmi za wady rzeczy sprzedanej na podstawie Kodeksu cywilnego.

## Vă rugăm să citiți mai întâi acest manual de utilizare!

Stimate client,

Vă mulțumim pentru că ați ales acest produs Beko. Sperăm să obțineți cele mai bune rezultate de la aparatul dumneavoastră, care a fost fabricat la o calitate înaltă și cu tehnologie performantă. Din acest motiv, vă rugăm să citiți cu atenție și în întregime acest manual de utilizare și toate celelalte documente însoțitoare înainte de a utiliza aparatul și să le păstrați pentru consultări ulterioare. Dacă transmiteți produsul altei persoane, oferiți-i și manualul de utilizare. Urmați instrucțiunile și acordați atenție tuturor informațiilor și avertismentelor din manualul de utilizare.

Nu uitați că acest manual de utilizare poate fi aplicat și altor modele. Diferențele dintre modele sunt descrise în manual în mod explicit.

### Semnificația simbolurilor

Următoarele simboluri sunt utilizate în diverse părți ale acestui manual de utilizare:



Informații importante și sugestii utile cu privire la utilizare.



Avertismente pentru situații periculoase privitoare la siguranța vieții și a proprietății.



Avertisment pentru suprafețe fierbinți.



Avertisment privind electrocutarea.



**HĂRTIE RECICLATĂ ȘI  
RECICLABILĂ**

Acest produs a fost fabricat în fabrici ecologice moderne, fără a dăuna naturii.

# 1 Instrucțiuni importante referitoare la siguranță și mediul înconjurător

## Instrucțiuni importante cu privire la siguranță **Citiți cu atenție și păstrați-le pentru referință viitoare**

Această secțiune conține instrucțiuni privind siguranța care vă vor proteja împotriva riscului de incendiu, electrocutării, expunerii la scurgerea energiei microundelor, vătămărilor corporale și pagubelor materiale. Nerespectarea acestor instrucțiuni invalidează garanția furnizată.

### 1.1 Siguranță generală

- Cuptoarele cu microunde de la Beko sunt conforme standardele de siguranță aplicabile; din acest motiv, în caz de orice avarii ale produsului sau ale cablului de alimentare, acesta trebuie reparat sau înlocuit de un dealer, un centru de service sau un service specializat sau autorizat similar, pentru evitarea oricărui pericol. Lucrările de reparații greșite sau efectuate de persoane necalificate pot cauza pericole sau riscuri utilizatorului.
- Acest produs este destinat utilizării în scop casnic și aplicațiilor similare cum ar fi:
  - Bucătării pentru personalul din magazine, birouri sau alte medii de lucru;
  - Ferme
  - De către clienți în hoteluri, moteluri sau alte medii de tip rezidențial;
  - Medii de tip pensiune.
- Nu este destinat uzului industrial sau în laborator.
- Nu încercați să porniți cuptorul atunci când ușa este deschisă; în caz contrar, puteți fi expus la energia periculoasă a microundelor. Dispozitivele de siguranță nu trebuie dezactivate sau modificate.
- Cuptorul cu microunde este destinat doar pentru încălzirea alimentelor și băuturilor. Uscarea alimentelor sau articolelor de îmbrăcăminte și încălzirea pernelor electrice, papucilor, bureților, textilelor umede și a altor articole similare pot genera riscuri de rănire, aprindere sau incendiu.

# 1 Instrucțiuni importante referitoare la siguranță și mediul înconjurător

- Nu puneți obiecte între partea frontală și ușa cuptorului. Nu permiteți formarea murdăriei sau resturilor agentului de curățare pe suprafețele de închidere.
- Orice lucrări de service, ce implică scoaterea panoului ce asigură protecție împotriva expunerii la energia microundelor, trebuie să fie efectuate de către persoane/service autorizate. Orice altă abordare este periculoasă.
- Produsul dumneavoastră este destinat gătirii, încălzirii și decongelării alimentelor în casă. Nu trebuie utilizat în scopuri comerciale.
- Cuptorul dumneavoastră nu este destinat uscării nici unei viețuitoare.
- Nu utilizați produsul ca să uscați articole de îmbrăcăminte sau prosoape de bucătărie.
- Nu utilizați acest produs afară, în baie, în medii umede sau locuri în care se poate uda.
- Nu va fi asumată nicio responsabilitate sau solicitare de garanție pentru avariile ce survin în timpul întrebuințării greșite sau a manevrării incorecte a produsului.
- Nu încercați niciodată să demonstați produsul. Nu sunt acceptate solicitări de garanție pentru avarii cauzate de manevrarea incorectă a produsului.
- Utilizați doar componente originale sau componente recomandate de producător.
- În timpul utilizării, nu lăsați produsul nesupravegheat.
- Utilizați întotdeauna produsul pe o suprafață stabilă, dreaptă, curată uscată și aderentă.
- Acest produs nu trebuie utilizat cu un ceas exterior sau un sistem separat de control prin telecomandă.
- Înainte de prima utilizare a produsului, curățați toate componentele. Vă rugăm să consultați detaliile prezentate în secțiunea "Curățare și întreținere".
- Utilizați acest produs doar pentru uzul destinat, așa cum este descris în acest manual.
- În timpul utilizării, produsul devine foarte fierbinte. Fiți atenți să nu atingeți părțile fierbinți din interiorul cuptorului.



# 1 Instrucțiuni importante referitoare la siguranță și mediul înconjurător

- Nu utilizați cuptorul fără alimente.
- Ustensilele vor fi verificate pentru a se asigura că sunt adecvate utilizării în cuptoarele cu microunde.
- Folosiți numai ustensile adecvate utilizării în cuptoarele cu microunde.
- Ustensilele de gătit pot deveni fierbinți din cauza căldurii transferate de la alimentele încălzite. Pentru manipularea ustensilelor aveți nevoie de mănuși de bucătărie.
- Nu așezați cuptorul pe plite sau alte produse de generare a căldurii. În caz contrar, acesta poate fi avariât și garanția devine nulă.
- Aburul poate ieși în momentul deschiderii capacelor sau foliei, după gătitul alimentelor.
- Atunci când produsul este în folosință, acesta și suprafețele accesibile pot fi foarte fierbinți.
- Atunci când produsul este în folosință, ușa și geamul extern pot deveni foarte fierbinți.
- Asigurați-vă că tensiunea de alimentare corespunde cu informațiile furnizate pe plăcuța cu date tehnice a produsului.
- Singura modalitate de deconectare a aparatului de la priză este scoaterea ștecherului de alimentare din priză.
- Utilizați produsul doar cu o priză cu împământare.
- Nu utilizați aparatul atunci când cablul de alimentare sau aparatul în sine este avariât.
- Nu utilizați acest aparat cu un prelungitor.
- Nu atingeți niciodată aparatul sau priza cu mâinile umede.
- Puneți aparatul într-o poziție în așa fel încât ștecherul să fie întotdeauna accesibil.
- Preveniți avarierea cablului de alimentare prin comprimare, deformare sau frecarea de margini tăioase. Țineți cablul de alimentare departe de suprafețele fierbinți și flacăra deschisă.
- Asigurați-vă că nu există niciun pericol să scoateți cablul de alimentare accidental din priză și că nu se poate împiedica nimeni de el atunci când cuptorul este în folosință.

# 1 Instrucțiuni importante referitoare la siguranță și mediul înconjurător

- Înainte de fiecare curățare și atunci când produsul nu este folosit, scoateți-l din priză.
- Pentru deconectarea aparatului, nu trageți de cablul de alimentare și nu înfășurați niciodată cablul în jurul produsului.
- Nu cufundați aparatul, cablul de alimentare sau ștecherul în apă sau alte lichide. Nu-l țineți sub apă curentă.
- Atunci când încălziți alimente în recipiente de plastic sau hârtie, verificați frecvent cuptorul deoarece există posibilitatea de aprindere.
- Înainte de introducerea în cuptor a pungilor adecvate pentru utilizare în cuptorul cu microunde, scoateți firele de sârmă și/sau mânerurile metalice ale pungilor de hârtie sau plastic.
- Dacă observați fum, închideți sau scoateți din priză produsul și țineți ușa închisă pentru a înăbuși orice flacără.
- Nu utilizați interiorul cuptorului pentru depozitare. Atunci când cuptorul nu este în funcțiune, nu lăsați articole din hârtie, materiale de gătire sau alimente în cuptor.
- Înainte de consum și pentru a evita arsurile, conținutul biberonelor și al borcanelor cu mâncare pentru bebeluși trebuie să fie amestecate și agitate, iar temperatura trebuie să fie verificată.
- Acest produs este un echipament ISM din Grupa 2 clasa B. Grupa 2 cuprinde tot echipamentul ISM (industrial, științific și medical) în care energia radio este generată intenționat și/sau utilizată sub formă de radiație electromagnetică pentru tratamentul materialului și echipamentul de eroziune prin scânteie.
- Echipamentul din clasa B este adecvat utilizării casnice și în locuințe conectate direct la rețeaua de alimentare cu tensiune joasă.
- Nu prăjiți nimic în cuptor. Uleiul încins poate avaria componentele și materialele cuptorului și poate chiar cauza arsuri ale pielii.
- Perforați mâncarea cu coajă groasă cum ar fi cartofii, dovleceii, merele și castanele.

# 1 Instrucțiuni importante referitoare la siguranță și mediul înconjurător

- Aparatul trebuie să fie montat în așa fel încât partea din spate să fie la perete.
- Înainte de mutarea produsului, asigurați discul turnant pentru a preveni avarierea acestuia.
- Ouăle în coajă și ouăle fierte tari nu trebuie încălzite în cuptoarele cu microunde deoarece pot exploda, chiar după ce încălzirea cu microunde s-a încheiat.

**AVERTISMENT:** Dacă ușa sau chederele ușii sunt avariate, cuptorul nu trebuie utilizat până când acesta nu este reparat de o persoană calificată.

**AVERTISMENT:** Este periculos ca operațiunile de service sau reparații care implică scoaterea capacului care protejează împotriva expunerii la energia microundelor să fie efectuate de altcineva decât persoana calificată.

**AVERTISMENT:** Lichidele și alte alimente nu trebuie încălzite în recipiente etanșe deoarece pot exploda.

- Cuptorul trebuie să fie curățat regulat și depozitele de mâncare trebuie eliminate.
- Deasupra suprafeței superioare a cuptorului trebuie să existe o distanță liberă de minim 20 cm.
- Nu gătiți excesiv produsele; în caz contrar puteți cauza un incendiu.
- Nu utilizați aspiratoare pe bază de abur pentru curățarea produsului.
- Atunci când cuptorul este utilizat lângă copii și persoane care prezintă abilități fizice, senzoriale sau mentale limitate, se recomandă atenție extremă.
- Acest produs poate fi utilizat de copii de la 8 ani în sus și de persoane cu capacitate fizică, senzorială sau mentală limitată sau care nu au cunoștințe și experiență, atât timp cât sunt supravegheați pentru utilizarea în siguranță a produsului sau sunt instruiți corespunzător sau înțeleg riscurile de utilizare a produsului. Copiii nu trebuie să se joace cu produsul. Procedurile de curățare și întreținere nu trebuie să fie efectuate de copii, cu excepția cazului în care sunt supravegheați de un adult.

# 1 Instrucțiuni importante referitoare la siguranță și mediul înconjurător

- **Pericol de sufocare!** Mențineți materialele de ambalare departe de copii.
- Din cauza căldurii excesive emise în modul de grătar și de combinare, aceste moduri pot fi folosite de copii doar cu supravegherea unui adult.
- Țineți produsul și cablul său de alimentare departe de copiii cu vârsta sub 8 ani.
- Nu gătiți mâncarea direct pe tava de sticlă. Puneți mâncarea în / pe ustensile de bucătărie adecvate înainte de a le introduce în cup-tor.
- Recipientele metalice pentru ali-mente și băuturi nu sunt permise în timpul gătirii cu microunde. În caz contrar, pot apărea scânteii.
- Acest produs nu este conceput pentru a fi încorporat. Nu așezați produsul într-un dulap sau cutie în timp ce este utilizat.

## 1.2 Conformitate cu Directiva WEEE și depozitarea la deșeurile a produsului uzat:

Acest produs respectă Directiva UE WEEE (2012/19/UE). Produsul este marcat cu un simbol de clasificare pentru deșeurile electrice și electronice (WEEE).



Acest simbol indică faptul că produsul nu trebuie eliminat cu alte deșeurile me-najere la finalul perioadei de utilizare. Dispozitivele utilizate trebuie returnate la punctul special de reciclare de dis-pozitive electrice și electronice. Pentru a găsi aceste sisteme de colectare contactați autoritățile locale sau distribuitorul de la care a fost achiziționat produsul. Fiecare gospodărie are un rol important în recuperarea și reciclarea electrocasnicelor vec-hi. Eliminarea corespunzătoare a electrocasnicelor utilizate ajută la prevenirea posibilelor consecințe negative pentru mediu și sănătatea umană.

## 1.3 Conformitate cu Directiva RoHS:

Produsul pe care l-ați achiziționat respectă Directiva UE RoHS (2011/65/UE). Nu conține materiale dăunătoare și interzise specificate în Directivă.

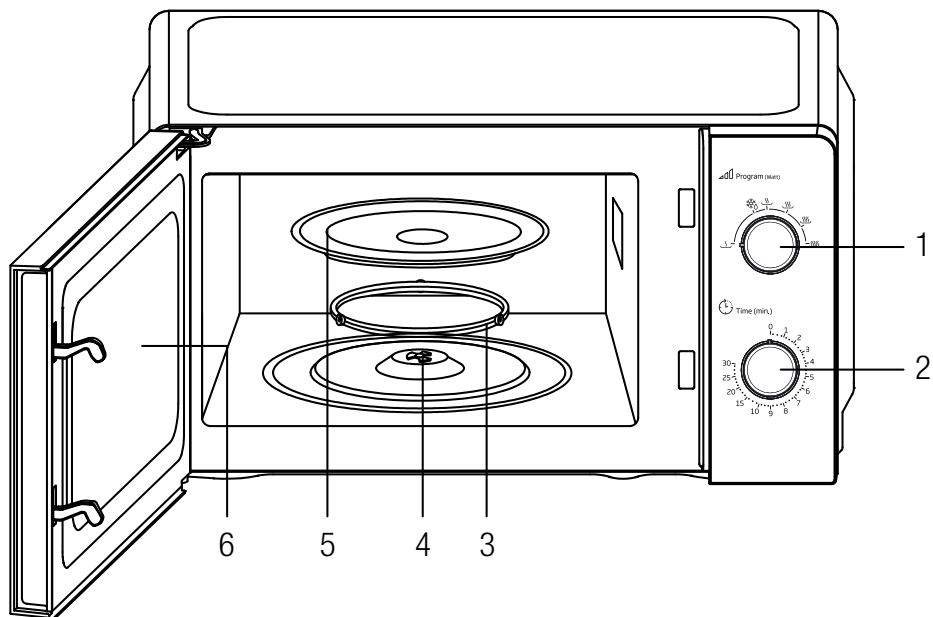
## 1.4 Informații despre ambalaj



Ambalajul produsului este fabricat din materiale reciclabile conform Legislației Naționale. Ambalajele nu trebuie arun-cate împreună cu gunoiul menajer sau alt tip. Duceți-le la punctele de colectare destinate ambalajelor amenajate de către autoritățile locale.

## 2 Cuptorul dumneavoastră cu microunde

### 2.1 Prezentare generală



### Comenzi și componente

1. Buton de putere
2. Buton temporizator
3. Inel de rotire
4. Ax
5. Tavă din sticlă
6. Fereastra cuptorului

### 2.2 Date tehnice

<b>Tensiune nominală</b>	230-240V~,50Hz
<b>Intrare nominală</b>	1100W (Microunde)
<b>Ieșire nominală</b>	700W
<b>Frecvența microundelor</b>	2450MHz
<b>Nivel de putere al microundelor</b>	6
<b>Dimensiuni exterioare (Î*L*A)</b>	243*446*340 mm
<b>Placă rotativă din sticlă</b>	245 mm
<b>Capacitatea cuptorului</b>	20 Litri
<b>Greutate netă</b>	10 kg
<b>Culoare</b>	Alb / Negru / Argintiu

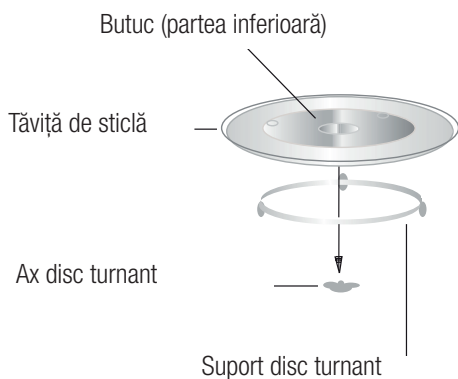
Dreptul rezervat de a opera modificări tehnice și de design.

Marcajele de pe aparat sau valorile indicate în alte documentații furnizate cu acest produs, sunt valori obținute în condiții de laborator în conformitate cu standardele relevante. Aceste valori pot varia în funcție de utilizarea aparatului și de condițiile ambientale.

## 2 Cuptorul dumneavoastră cu microunde

### 2.3 Montarea discului turnant

- Nu puneți niciodată tăvița de sticlă cu fața în jos. Tăvița de sticlă trebuie să fie folosită întotdeauna.
- În timpul gătirii, atât tăvița din sticlă, cât și discul turnant trebuie să fie utilizate.
- Pentru gătire, toate alimentele și recipientele alimentelor trebuie întotdeauna să fie așezate pe tăvița de sticlă.
- Dacă tăvița de sticlă sau discul turnant se crapă sau se sparge, contactați cel mai apropiat centru de service autorizat.



## 3 Instalare și racorduri

### 3.1 Instalare

1. Asigurați-vă că au fost îndepărtate toate materialele de ambalare de din interior.



**AVERTIZARE:** Inspectați cuptorul pentru orice urme de deteriorare, cum ar fi ușa descentrată sau îndoită, garnituri deteriorate ale ușii și suprafață de etanșare deteriorată, dacă balamalele ușii sunt rupte sau libere, sau dacă sunt deteriorate zăvoarele și urechile în interiorul cavității sau pe ușă. Dacă identificați deteriorări, nu puneți cuptorul în funcțiune și contactați personalul calificat de service.

2. Acest cuptor cu microunde trebuie așezat pe o suprafață dreaptă și stabilă care poate susține greutatea acestuia și a alimentelor care vor fi gătite în cuptor.
3. Nu așezați cuptorul lângă materiale combustibile sau lângă surse de căldură, umezeală sau umiditate excesivă.
4. Pentru funcționarea corectă, cuptorul trebuie să beneficieze de ventilație suficientă. Asigurați spații de 20 cm deasupra cuptorului, 10 cm în spatele acestuia și câte 5 cm în părțile laterale. Nu acoperiți și nu blocați deschiderile aparatului. Nu îndepărtați picioarele.
5. Nu utilizați cuptorul fără tava din sticlă, suportul de rotire, și axul așezate la locul lor.
6. Asigurați-vă că cablul de alimentare nu este deteriorat și nu trece pe sub cuptor sau peste suprafețe fierbinți sau ascuțite.
7. Priza de conectare trebuie să fie foarte accesibilă pentru a putea fi ușor decuplat în caz de urgență.
8. Nu folosiți cuptorul în aer liber.

### 3.2 Interferențe radio

Utilizarea cuptorului cu microunde poate cauza interferențe aparatului dumneavoastră Radio, televizorului sau altor echipamente similare.

Dacă apar interferențe, acestea pot fi reduse sau eliminate luând următoarele măsuri:

1. Curățați ușa și suprafața de etanșare a cuptorului.
2. Reorientați antena de recepție a aparatului radio sau a televizorului.
3. Relocați cuptorul în raport cu receptorul.
4. Îndepărtați cuptorul de receptor.
5. Cuplați cuptorul cu microunde la altă priză astfel încât cuptorul și receptorul să fie conectate la circuite diferite pe rețea.

### 3.3 Principii de gătire la microunde

1. Aranjați cu grijă alimentele. Așezați alimentele mai groase spre exteriorul vasului.
2. Urmăriți timpul de gătire. Gătiți la cel mai scurt timp de gătire și adăugați după caz. Alimentele supra gătite excesiv vor fumegea sau se vor aprinde.
3. Acoperiți alimentele în timpul gătirii. Acoperirea previne stropirea cu alimente și favorizează gătitura uniformă.
4. Întoarceți odată alimentele în timpul gătirii la microunde pentru a grăbi gătitura alimentelor cum ar fi pui și hamburgeri. Alimente voluminoase precum friptura trebuie întoarse cel puțin o dată.
5. Rearanjați alimente precum chiftelele la jumătatea timpului de gătire, atât de sus în jos, cât și din centrul spre exteriorul vasului.

## 3 Instalare și racorduri

### 3.4 Instrucțiuni de pământare

Acest aparat trebuie pământat. Acest cuptor cu microunde este echipat cu pământare pe cablul de alimentare și ștecher. Trebuie cuplat la o priză de perete cu pământare și instalată corespunzător în eventualitatea unui scurt circuit electric, pământarea reduce riscul de electrocutare datorită firului de descărcare a sarcinii electrice. Se recomandă asigurarea unui circuit electric separat care să alimenteze numai cuptorul. Utilizarea unei tensiuni ridicate este periculoasă și se poate declanșa un incendiu sau alte accidente asociate deteriorării cuptorului.



**AVERTIZARE:** Utilizarea necorespunzătoare a ștecherului cu pământare poate cauza electrocutarea.



Dacă aveți întrebări despre pământare sau instrucțiuni de electricitate, consultați un electrician calificat sau un reprezentant de service.



Nici producătorul, nici comerciantul nu își asumă nicio răspundere pentru deteriorarea cuptorului sau vătămări corporale cauzate de nerespectarea procedurilor de conectare electrică.

Firele din cablul de alimentare sunt colorate conform următorului cod:

**Verde și Galben = EARTH (legare la pământ)**

**Albastru = NEUTRAL (NEUTRU)**

**Maro = LIVE (FAZĂ)**

### 3.5 Ghid de ustensile

1. Microundele nu pot penetra metale. Utilizați numai ustensile potrivite pentru folosirea în cuptoare cu microunde. Nu este permisă utilizarea recipientelor metalice pentru băuturi și alimente pentru gătirea la microunde. Această cerință nu este aplicabilă dacă producătorul specifică mărimea și forma recipientelor metalice care sunt potrivite pentru gătirea la microunde.
2. Microundele nu pot penetra metale, prin urmare ustensilele din metal sau vasele cu decoruri din metal nu trebuie utilizate.
3. Nu utilizați produse din hârtie reciclată pentru gătirea la microunde, deoarece acest tip de hârtie poate conține fragmente de metal care pot cauza scânteii și/sau incendiu.
4. Deoarece alimentele din colțuri tind să se încălzească prea mult, se recomandă mai degrabă folosirea vaselor rotunde/ ovale decât a celor pătrate sau alungite.
5. Fâșiile subțiri de folie din aluminiu pot fi utilizate pentru a preveni supra gătirea zonelor expuse. Dar aveți grijă, nu folosiți prea multă, și păstrați o distanță de 1 inci (2,54 cm) între folie și cavitate.

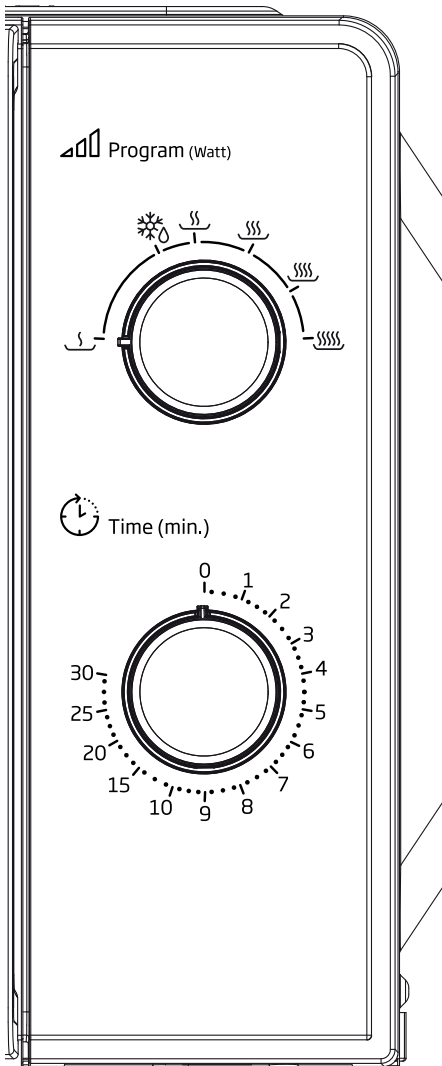
Lista de mai jos este un ghid general pentru a vă ajuta să utilizați ustensilele corecte.

Veselă	Microunde
Sticlă termorezistentă	Da
Sticlă non termorezistentă	Nu
Ceramică termorezistentă	Da
Vas din plastic rezistent la microunde	Da
Prosop de bucătărie	Da
Tavă din metal	Nu
Raft din metal	Nu
Folie din aluminiu & Recipiente cu folie	Nu



## 4 Funcționarea

### 4.1. Panoul de comandă



Panoul de comandă cuprinde două unități de operare. Unul este butonul de temporizare, iar celălalt este butonul de putere.

#### Butonul de putere

Utilizați acest buton de putere pentru a alege nivelul de gătire. Este primul pas pentru a începe o sesiune de gătire.

#### Buton temporizator

Asigură setări vizuale de temporizare la simpla întoarcere a degetului mare pentru a selecta timpul dorit pentru gătire de până la 30 de minute pe sesiune de gătire.

#### Gătirea la microunde

Pentru gătitul numai la microunde, există șase niveluri de putere dintre care să alegeți pe cel potrivit pentru a face o treabă bună.

Dacă rotiți butonul în sensul acelor de ceasornic nivelul de putere crește. Nivelurile de putere pot fi clasificate după cum urmează:

	Putere de ieșire	Descriere
1	100%	Înalt
2	88%	Mediu înalt
3	73%	Mediu
4	52%	Mediu redus
5	42%	Decongelare
6	20%	Redus

### 4.2 Operarea

Pentru a începe o sesiune de gătire,

1. Așezați alimentele în cuptor și închideți ușa.
2. Rotiți butonul de putere (1) pentru selectarea nivelului de putere.
3. Utilizați butonul temporizator (2) pentru setarea timpului de gătire



De îndată ce temporizatorul este rotit, cuptorul începe să gătească. Când selectați un timp mai scurt de 2 minute, rotiți temporizatorul peste 2 minute și apoi reveniți la timpul corect.

## 4 Funcționarea



**ATENȚIE:** Când cuptorul nu este un uz, sau dacă alimentele sunt scoase din cuptor înainte de finalizarea timpului setat de gătire, întotdeauna readuceți butonul de temporizare în poziția zero. Pentru a opri cuptorul în timpul procesului de gătire, apăsați butonul de eliberare a ușii sau deschideți ușa trăgând de mâner.

## 5 Curățarea și întreținerea

### 5.1 Curățarea și întreținerea



**AVERTIZARE:** Nu utilizați benzină, solvenți, agenți abrazivi de curățare, obiecte metalice sau perii dure pentru a curăța aparatul.



**AVERTIZARE:** Nu imersați niciodată aparatul sau cablul de alimentare în apă sau în orice alt lichid.

1. Înainte de curățare, opriți cuptorul și decuplați de la priza de perete.
2. Așteptați răcirea completă a produsului.
3. Păstrați curat interiorul cuptorului. Ștergeți cu o cârpă umezită stropii de alimente și băuturi din interiorul cuptorului. Dacă cuptorul este foarte murdar, puteți folosi un detergent ușor. Evitați folosirea sprayurilor și a altor produse dure pentru curățare, deoarece acestea pot păta, strica sau toci suprafața ușii.
4. Suprafețele exterioare pot fi curățate cu o cârpă umezită. Pentru a preveni deteriorarea elementelor de operare din interiorul cuptorului, nu permiteți pătrunderea apei prin deschiderile de ventilație.

5. Ștergeți frecvent ambele părți ale ușii și ferestrei, garniturile ușii și părțile adiacente cu o cârpă umezită pentru îndepărtarea stropilor și petelor de alimente. Nu utilizați soluții abrazive de curățare.
6. Nu utilizați aparate de curățare cu abur.
7. Nu permiteți panoului de comandă să se ude. Curățați cu o cârpă moale și umedă. Când curățați panoul de comandă, lăsați ușa cuptorului deschisă pentru a preveni acționarea accidentală a cuptorului.
8. Dacă se acumulează condens în interiorul sau în jurul exteriorului ușii cuptorului, ștergeți cu o cârpă moale. Aceasta se întâmplă când cuptorul este utilizat în condiții de umiditate înaltă. Și este un fenomen normal.
9. Ocazional este nevoie să îndepărtați tava din sticlă pentru curățare. Spălați tava în apă cu sumă sau în mașina de spălat vase.

## 5 Curățarea și întreținerea

10. Inelul de rotire și baza din interiorul cuptorului trebuie curățate cu regularitate pentru a evita zgomotul excesiv. Pur și simplu ștergeți baza din interiorul cuptorului cu detergent ușor. Inelul de rotire poate fi spălat în apă cu spumă ușoară sau în mașina de spălat vase. Când îndepărtați inelul de rotire din cavitatea interioară pentru curățare, asigurați-vă că îl repuneți apoi în poziția corectă.
11. Pentru a îndepărta mirosurile din cuptorul cu microunde, puneți într-un bol adânc potrivit pentru cuptorul cu microunde, un amestec de apă, suc și coajă de lămâie și acționați timp de 5 minute în cuptorul cu microunde. Ștergeți temeinic și uscați cu o cârpă moale.
12. Când este cazul să înlocuiți lampa din cuptor vă rugăm solicitați comerciantul pentru înlocuire.
13. Cuptorul trebuie curățat cu regularitate pentru îndepărtarea depunerilor de alimente. Nerespectarea păstrării cuptorului în stare curată poate duce la deteriorarea suprafeței, care ar putea afecta funcționarea aparatului și ar putea duce la o situație periculoasă.
14. Vă rugăm să nu eliminați acest aparat împreună cu deșeurile menajere, trebuie eliminat în special la centrele municipale de colectare.
15. Atunci când este utilizată pentru prima dată funcția grill a cuptorului cu microunde, se poate produce un ușor miros și fum. Este un fenomen normal, deoarece cuptorul este produs dintr-o placă de oțel acoperită cu ulei de lubrifiere, iar noul cuptor va produce vapori și mirosuri generate de arderea uleiului de lubrifiere. Acest fenomen va dispărea după o perioadă de utilizare.

### 5.2 Depozitarea

- Dacă nu doriți să utilizați aparatul pentru o perioadă lungă de timp, depozitați-l cu grijă.
- Asigurați-vă că aparatul este decuplat, că s-a răcit complet și că este perfect uscat.
- Depozitați aparatul într-un loc uscat și rece.
- Nu lăsați aparatul la îndemâna copiilor

### 5.3 Manevrarea și transportul

- În timpul manevrării și transportului, transportați produsul în ambalajul său original. Ambalajul aparatului îl protejează împotriva deteriorării fizice.
- Nu plasați obiecte grele pe aparat sau pe ambalaj. Aparatul poate fi deteriorat.
- Căderea aparatului îl poate face nefuncțional sau poate provoca daune permanente.

## 6 Depanare

Problema	Soluție posibilă
Dacă cuptorul nu funcționează	Verificați și asigurați-vă că cuptorul este cuplat ferm. Dacă nu, decuplați ștecherul de la priză, așteptați 10 secunde, și recuplați-l ferm din nou.
	Verificați dacă există o siguranță căzută sau un întrerupător principal declanșat. Dacă acestea par a funcționa corespunzător, verificați priza cu un alt aparat.
	Verificați pentru a fi sigur, dacă panoul de comandă este programat corect și temporizatorul este setat.
	Verificați pentru a fi sigur, dacă ușa este închisă ferm iar sistemul de blocare a ușii pentru siguranță este declanșat. În caz contrar, energia microundelor nu va pătrunde în cuptor.
Dacă niciuna din soluțiile de mai sus nu remediază situația, contactați un tehnician calificat. Nu încercați să ajustați sau să reparați dumneavoastră cuptorul.	



# CERTIFICAT DE GARANȚIE

Tensiune de alimentare/frecvență: 220-240V~, 50-60Hz  
Importator: ARCTIC S.A., Găești, Dâmbovița, str. 13 Decembrie nr. 210, email: office@arctic.ro

**TIP:**  **Electrocasnice mici de bucătărie**

**Cuptor cu microunde**

**Purificatoare de aer**

Model / Serie:.....

## VÂNZĂTOR

Nr. factură:.....Data: .....

Vânzător (firma, localitatea): .....

## CUMPĂRĂTOR

Nume .....Localitatea .....

Str. ....Nr. ....Bloc .....Sc. ....Et. ....Ap. ....

Județ ..... Telefon .....E-mail .....

S-a efectuat proba de funcționare a aparatului, s-a prezentat modul de folosire, s-au predat instrucțiunile de utilizare și toate accesoriile. Am primit aparatul în perfectă stare de funcționare.

Stimați clienți,

La cumpărare vă recomandăm să solicitați efectuarea probei de funcționare și să verificați existența instrucțiunilor de utilizare și a accesoriilor.

Pentru a putea beneficia de toate avantajele produselor și serviciilor noastre vă rugăm:

- să citiți cu atenție și să respectați recomandările prezentate în "Instrucțiunile de utilizare".

- să păstrați cu grijă acest certificat pentru a-l putea prezenta (împună cu documentul fiscal de achiziție), personalului SERVICE ARCTIC, la orice sesizare efectuată în perioada de garanție.

Vă mulțumim că ați optat pentru cumpărarea unui produs Beko!

## Garanția legală de conformitate

**Durata medie de utilizare a produsului este de 5 ani!**

**Perioada de garanție a produsului este de 3 ani de la livrarea produsului\*.**

**Perioada de 3 ani garanție se compune din garanția legală de conformitate de 2 (doi) ani la care se adaugă garanția comercială de durabilitate de 1 (un) an. Acordarea garanției comerciale de durabilitate se acordă în aceleași condiții în care se acordă garanția legală de conformitate.**

\*prin „produs” se înțelege „bun” conform OUG nr. 140/2021<sup>1</sup>

Perioada de garanție legală de conformitate pentru conținutul digital sau serviciul digital în cazul bunurilor cu elemente digitale pentru care contractul de vânzare-cumpărare prevede furnizarea continuă de conținut digital sau a serviciului digital pe durată determinată este de:

a) 2 ani de la livrare, respectiv de la livrarea bunului - pentru produse cu durata medie de utilizare de 5 ani (art. 9 (3) din OUG nr. 140/2021);

b) 5 ani de la livrare, respectiv de la livrarea bunului - pentru produse cu durata medie de utilizare mai mare de 5 ani (art. 9 (3) din OUG nr. 140/2021);

c) Pe tot parcursul perioadei de furnizare a conținutului / serviciului digital - pentru furnizare continuă a conținutului / serviciului digital pe o perioadă mai mare de 5 ani (art. 9 (4) din OUG nr. 140/2021).

<sup>1</sup>Ordonanță de urgență 140/2021 privind anumite aspecte referitoare la contractele de vânzare de bunuri



Service-ul acestui produs este asigurat de ARCTIC S.A. cu sediul în Găești, Dâmbovița, str. 13 Decembrie nr. 210. • \*9010 • www.arctic.ro • www.beko.ro • e-mail: service@arctic.ro  
Program Call Center: Luni - Vineri 08:30 - 20:00; Sâmbătă 08:30 - 17:00



## **Remedii incluse în garanția legală de conformitate conform OUG nr. 140/2021** (vă rugăm să aveți în vedere prevederile de mai jos)

### **ARCTIC garantează toate drepturile legale prevăzute de OUG nr. 140/2021 în beneficiul consumatorilor cu privire la garanția legală de conformitate. Dispozițiile prezentului certificat de garanție legală de conformitate se completează, în mod corespunzător, cu dispozițiile OUG nr. 140/2021.**

În caz de neconformitate, consumatorul are dreptul de a beneficia de aducerea în conformitate a bunurilor, de a beneficia de o reducere proporțională a prețului sau de a obține încetarea contractului, în condițiile legii - art. 11 (1).

Consumatorii pot să opteze pentru o anumită măsură corectivă în cazul în care neconformitatea bunurilor este constatată la scurt timp după livrare, fără a depăși 30 de zile calendaristice - art. 11 (7).

Pentru ca bunurile să fie aduse în conformitate, consumatorul poate opta între reparație și înlocuire, cu excepția cazului în care măsura corectivă aleasă ar fi imposibilă sau, în comparație cu cealaltă măsură corectivă disponibilă, ar impune vânzătorului costuri care ar fi disproporționate, luând în considerare toate circumstanțele (ex. valoarea bunurilor în cazul în care nu ar fi existat neconformitatea, gravitatea neconformității sau dacă măsura corectivă alternativă ar putea fi executată fără vreun inconvenient semnificativ pentru consumator) - art. 11 (2).

#### **Instalarea incorectă a bunurilor (art. 7).**

Orice neconformitate cauzată de instalarea incorectă a bunurilor este considerată ca reprezentând o neconformitate a bunurilor, în oricare din următoarele situații:

- a) instalarea face parte din contractul de vânzare și a fost realizată de vânzător sau sub răspunderea vânzătorului;
- b) instalarea, destinată să fie realizată de consumator, a fost realizată de acesta și instalarea incorectă s-a datorat unor deficiențe în instrucțiunile de instalare furnizate de vânzător sau, în cazul bunurilor cu elemente digitale, de către vânzătorul sau furnizorul conținutului digital sau al serviciului digital.

#### **Proba neconformității.**

Orice neconformitate care este constatată în termen de un an de la data la care bunurile (inclusiv cele cu elemente digitale) au fost livrate este prezumată a fi existat deja în momentul livrării bunurilor până la proba contrarie sau cu excepția cazului în care această prezumție este incompatibilă cu natura bunurilor sau cu natura neconformității - art. 10 (1).

În cazul bunurilor cu elemente digitale pentru care contractul de vânzare prevede furnizarea continuă de conținut digital sau de servicii digitale pentru o anumită perioadă, sarcina probei cu privire la conformitatea conținutului digital sau a serviciului digital pe parcursul perioadelor de garanție legală îi revine vânzătorului în cazul unei neconformități care este constatată pe parcursul acestei perioade - art. 10 (3).

#### **Remediere prin reparație.**

În cazul în care neconformitatea este remediată prin reparație, termenele de garanție legală se prelungesc cu timpul de nefuncționare a bunului, din momentul la care a fost adusă la cunoștința vânzătorului lipsa de conformitate până la predarea efectivă a bunului în stare de utilizare normală către consumator - art. 12 (6).

## **Remediere prin înlocuire.**

În cazul în care neconformitatea este remediată prin înlocuire, pentru bunurile care înlocuiesc bunurile neconforme, termenele legale de garanție pentru produsul înlocuit încep să curgă de la data înlocuirii cu noul produs - art. 12 (7).

## **Reducerea prețului și încetarea contractului.**

Consumatorul are dreptul fie să obțină o reducere proporțională a prețului în conformitate cu legea, fie să obțină încetarea contractului de vânzare în condițiile legii, în oricare dintre următoarele cazuri - art. 11(4):

- a) vânzătorul nu a finalizat reparația sau înlocuirea sau, după caz, nu a finalizat reparația sau înlocuirea potrivit prevederilor legii sau vânzătorul a refuzat să aducă în conformitate bunurile potrivit prevederilor legii;
- b) se constată o neconformitate, în pofida eforturilor vânzătorului de a o remedia;
- c) neconformitatea este de o asemenea gravitate încât justifică o reducere de preț sau dreptul la încetarea imediată a contractului de vânzare;
- d) vânzătorul a declarat că nu va aduce bunurile în conformitate într-un termen rezonabil sau fără inconveniente semnificative pentru consumator ori acest lucru reiese clar din circumstanțele cazului.

Consumatorul are dreptul de a suspenda plata unei părți restante din prețul bunurilor sau a unei părți a acesteia până în momentul în care vânzătorul își va fi îndeplinit obligațiile care îi revin în temeiul legii - art. 11(6). Reducerea de preț este proporțională cu diminuarea valorii bunurilor primite de consumator în comparație cu valoarea pe care bunurile ar avea-o dacă ar fi în conformitate - art.13.

## **Încetarea contractului:**

- a) nu poate fi solicitată dacă vânzătorul dovedește că neconformitatea este minoră;
- b) poate fi solicitată pentru totalitatea bunurilor achiziționate și livrate, deși motivul de încetare vizează doar anumite bunuri, în cazul în care consumatorul nu i se poate pretinde în mod rezonabil să accepte să păstreze numai bunurile conforme;
- c) determină obligația consumatorului de a returna vânzătorului bunurile, pe cheltuiala vânzătorului;
- d) determină obligația vânzătorului de a rambursa consumatorului prețul plătit pentru bunuri la primirea bunurilor sau a unei dovezi prezentate de consumator că bunurile au fost returnate; vânzătorul va folosi aceleași modalități de plată ca și cele folosite de consumator pentru tranzacția inițială, cu excepția cazului în care consumatorul a fost de acord cu o altă modalitate de plată și cu condiția de a nu cădea în sarcina consumatorului plata de comisioane în urma rambursării.

Garanția legală pentru viciu ascuns este aplicabilă în condițiile legii, conform OG nr. 21/1992 (reviziu 2) privind protecția consumatorului, OUG nr. 140/2021 și Codului Civil. Viciul ascuns reprezintă deficiența calitativă a unui produs livrat sau a unui serviciu prestat care nu a fost cunoscută și nici nu putea fi cunoscută de către consumator prin mijloacele obișnuite de verificare.



Service-ul acestui produs este asigurat de ARCTIC S.A. cu sediul în Găești, Dâmbovița, str.13 Decembrie nr.210. • \*9010 • [www.arctic.ro](http://www.arctic.ro) • [www.beko.ro](http://www.beko.ro) • e-mail: [service@arctic.ro](mailto:service@arctic.ro)  
Program Call Center: Luni - Vineri 08:30 - 20:00; Sâmbătă 08:30 - 17:00

## UNITĂȚILE SERVICE ALE ARCTIC S.A. EXECUTĂ REPARAȚII ÎN TERMENUL DE GARANȚIE ȘI ÎN AFARA ACESTUIA

Nr. crt.	Data Reclamației	Data primirii în reparație	Reparat		Cauza întârzierii	Reparația curentă și/sau componenta înlocuită	Efectuarea verificării	
			Programat	Data ridicării aparatului			Prelungirea termenului de garanție	SERVICE CLIENT

### CONDIȚII SUPLEMENTARE DE GARANȚIE :

Pentru orice defecțiune aparută în perioada de garanție, apelați la vânzător (respectiv, prin magazinul de unde a fost achiziționat produsul sau direct prin Call Center Arctic). Prelungirea termenului de garanție se va înscrice în certificatul de garanție de către unitatea SERVICE care a efectuat reparația. Garanția acoperă repararea și/sau înlocuirea pieselor constatate ca neconforme în sensul OUG nr. 140/2021. (necauzate de consumator) de către tehnicienii Service Arctic.

Termenul de realizare a operațiilor de reparare, înlocuire sau întreținere este de 15 zile calendaristice de la data la care cumpărătorul a sesizat lipsa de conformitate către vânzător (respectiv, prin magazinul de unde a achiziționat produsul sau direct prin Call Center Arctic).

Reparațiile / înlocuirile se efectuează cu respectarea următoarelor condiții - art. 12(1)-(5) din OUG nr.140/2021:

- fără costuri și fără vreun inconvenient semnificativ pentru consumator, ținând seama de natura bunurilor și de scopul pentru care consumatorul a solicitat bunurile în cauză;
- consumatorul pune bunurile la dispoziția vânzătorului, iar vânzătorul preia bunurile înlocuite pe propria cheltuială;
- obligația de a repara sau înlocui bunurile include, după caz, demontarea bunurilor neconforme și instalarea bunurilor de înlocuire sau a bunurilor reparate sau suportarea costurilor aferente demontării și instalării;
- consumatorul nu este obligat să plătească pentru utilizarea normală a bunurilor înlocuite în perioada care a precedat înlocuirea acestora.

### Reclamațiile referitoare la aspectele prevăzute mai jos, se rezolvă numai contra cost:

- piesele și accesoriile care prezintă lovituri, zgârieturi, spărturi sau deformări din vina exclusivă a consumatorului.

### PRODUSUL NU BENEFICIAZĂ DE GARANȚIE ÎN URMĂTOARELE CAZURI:

- Nu au fost respectate instrucțiunile de transport, manipulare, instalare, utilizare și întreținere prescrite.
- Subansamblurile și accesoriile casabile care se deteriorează în timpul transportului vor fi înlocuite de vânzător (în cazul în care transportul e asigurat de vânzător sau sub responsabilitatea acestuia).
- Garanția nu se acordă subsansamblelor și accesoriilor casabile ale produselor care suferă deteriorări din vina exclusivă a consumatorului.
- Tensiunea de alimentare are valori care nu se încadrează în limitele prevăzute de standarde (SREN 50160).
- Instalația electrică a utilizatorului prezintă improvizații sau neconformități.
- Produsul a fost folosit în alte scopuri decât cel pentru care a fost proiectat.
- Produsul a suportat intervenții (reparații, modificări) din partea unor persoane neautorizate de producător.

### Drepturile consumatorului sunt cele prevăzute în OUG nr. 140/2021 și OG 21/1992 (republicată).

În cadrul acestui proces, Arctic vă prelucrează date cu caracter personal, cu respectarea legilor aplicabile privind confidențialitatea și protecția datelor. Pentru informații complete despre modul în care vă prelucreăm datele, precum și despre drepturile dumneavoastră, vă rugăm să consultați secțiunea "Protecția datelor personale", accesând site-ul nostru la adresa <https://www.beko.ro/>.



# Leia este manual do utilizador em primeiro lugar!





Prezado Cliente,

Obrigado por preferir este aparelho da Beko. Esperamos que obtenha os melhores resultados com o nosso aparelho, que foi fabricado com tecnologia avançada e de alta qualidade. Como tal, leia com atenção todo este manual do utilizador e os outros documentos que o acompanham antes de utilizar o aparelho e guarde-o como referência para uso futuro. Se passar o aparelho para outra pessoa, dê-lhe também este manual do utilizador. Siga as instruções estando atento às informações e avisos no manual do utilizador.

Lembre-se que este manual do utilizador também pode aplicar-se a outros modelos. As diferenças entre modelos são explicitamente descritas no manual.

## Significados dos símbolos

Os seguintes símbolos são usados em várias secções deste manual:

	Informações importantes ou dicas úteis sobre a utilização.
	Avisos de situações perigosas referentes à segurança de pessoas e bens.
	Aviso sobre superfícies quentes.
	Aviso de choque elétrico.



**PAPEL RECICLADO e  
RECICLÁVEL**

Este aparelho foi fabricado em instalações modernas e amigas do ambiente sem causar quaisquer danos à natureza.

---

# 1 Instruções importantes sobre a segurança e ambiente

## Instruções importantes de segurança Ler cuidadosamente e guardar para referência futura

### 1.1 Advertências de segurança

Esta secção contém instruções de segurança que irão ajudar a proteger do risco de incêndio, de choque elétrico, de lesões pessoais ou danos à propriedade. O incumprimento destas instruções anula qualquer garantia.

- Os micro-ondas Beko cumprem com as normas de segurança aplicáveis, por conseguinte, no caso de quaisquer danos no aparelho ou no cabo de alimentação, os mesmos devem ser reparados ou substituídos pelo distribuidor, pelo serviço de assistência ou por um especialista e assistência autorizada para evitar qualquer perigo. Trabalhos de reparação defeituosa ou não qualificada podem causar perigo e risco para o utilizador.
- Este aparelho é destinado a ser usado em uso doméstico ou aplicações similares como:
  - Zonas de cozinha em estabelecimentos comerciais, escri-

tórios ou outros ambientes laborais;

- Casas rurais
- Pelos clientes em hotéis, motéis e outros ambientes de tipo residencial;
- Ambientes de tipo alojamento com pequeno-almoço.
- Não foi concebido para utilização industrial ou laboratórios.
- Não tentar ligar o forno com a porta aberta; caso contrário, pode ser exposto a energia nociva de micro-ondas. Os fechados de segurança não devem ser desativados ou adulterados.
- O forno micro-ondas destina-se a aquecer alimentos e bebidas. A secagem de alimentos ou roupas e o aquecimento de almofadas, chinelos, esponjas, panos húmidos e semelhantes podem causar risco de lesões, ignição ou incêndio.
- Não colocar nenhum objeto entre a parte frontal e a porta do forno. Não permita que sujidade ou resíduos de agentes de limpeza se acumulem nas superfícies de fecho.
- Quaisquer trabalhos de assistência que envolvam a remoção da tampa que fornece proteção contra a exposição à energia de micro-ondas devem ser executados por pessoal/

# 1 Instruções importantes sobre a segurança e ambiente

- assistência autorizados. Qualquer outra abordagem é perigosa.
- O seu produto destina-se a cozinhar, aquecer e descongelar alimentos em casa. Não devem ser usados para fins comerciais.
  - O seu forno não foi projetado para secar nenhum ser vivo.
  - Não usar o seu aparelho para secar roupas ou panos de cozinha.
  - Não usar este aparelho ao ar livre, casas de banho, ambientes húmidos ou em locais onde possa se molhar.
  - Nenhuma responsabilidade ou reclamação de garantia será assumida por danos decorrentes do uso indevido ou manuseio inadequado do aparelho.
  - Nunca tentar desmontar o aparelho. Nenhuma reclamação de garantia são aceites por danos causados por manuseio inadequado.
  - Usar peças de origem ou somente peças fornecidas pelo fabricante.
  - Não deixar este aparelho sem supervisão enquanto estiver em utilização.
  - Usar sempre o aparelho sobre uma superfície estável, plana, limpa, seca e antiderrapante.
  - O aparelho não deve ser operado por um temporizador externo ou sistema de controlo remoto separado.
  - Antes de usar a aparelho pela primeira vez, limpar todas as peças. Consultar os detalhes fornecidos na secção “Limpeza e manutenção”.
  - Utilizar o aparelho apenas para o fim a que se destina e de acordo com este manual.
  - O aparelho fica muito quente durante o uso. Prestar atenção para não tocar nas partes quentes no interior do forno.
  - Não colocar o forno em funcionamento vazio.
  - O utensílio de cozinha pode ficar quente devido ao calor transferido do alimento aquecido para o utensílio. Pode precisar de luvas de forno para segurar o utensílio.
  - Os utensílios devem ser verificados para garantir que são adequados para uso em fornos micro-ondas.
  - Não colocar o forno sobre fogões ou outros aparelhos geradores de calor. Caso contrário, pode ser danificado e a garantia será anulada.
  - Pode sair vapor ao abrir as tampas ou a película depois de cozinhar os alimentos.

# 1 Instruções importantes sobre a segurança e ambiente

- O aparelho e as suas superfícies acessíveis podem ficar muito quentes quando o aparelho está em utilização.
- A porta e o vidro exterior podem ficar muito quentes quando o aparelho está em utilização.
- Assegurar que a corrente elétrica cumpre com a informação especificada na placa de classificação do aparelho.
- A única maneira de desligar o aparelho da fonte de alimentação é remover a ficha de alimentação da tomada de corrente.
- Usar o aparelho apenas com tomada com ligação à terra.
- Nunca utilizar o aparelho se o cabo de alimentação ou o aparelho estiverem danificados.
- Não usar este aparelho com um cabo de extensão.
- Nunca tocar no aparelho ou na ficha com as mãos húmidas ou molhadas.
- O aparelho deve ser posicionado de modo que a ficha se mantenha acessível.
- Evitar danos no cabo de alimentação não esmagando, dobrando ou raspando o mesmo em arestas afiadas. Manter o cabo de alimentação afastado de superfícies aquecidas e de chamas vivas.
- Assegurar que não existe o perigo de o cabo de alimentação ser acidentalmente puxado ou de alguém tropeçar nele quando o aparelho estiver a ser utilizado.
- Desligar o aparelho antes de cada limpeza e quando o aparelho não estiver em uso.
- Não puxe o cabo de alimentação do aparelho para o desligar da fonte de alimentação e nunca enrolar o cabo de alimentação ao redor do aparelho.
- Não submergir aparelho, o cabo ou a ficha em água ou em qualquer outro líquido. Não o segurar sob água corrente.
- Quando aquecer alimentos em recipientes de plástico ou papel, manter o forno sob vigilância devido à possibilidade de ignição.
- Retirar fios de arame e/ou pegas de metal de sacos de papel ou plástico antes de os colocar no forno.
- Se aparecer fumo, desligar ou retirar a ficha do aparelho se for seguro fazê-lo e manter a porta fechada de modo a abafar quaisquer chamas.
- Não usar o forno micro-ondas para armazenamento. Não deixar objetos de papel, material de cozinha ou alimentos dentro do forno quando este não estiver a ser usado.

# 1 Instruções importantes sobre a segurança e ambiente

- O conteúdo de biberões e boiões de comida para bebês deve ser mexido ou agitado e a temperatura verificada antes do consumo, a fim de evitar queimaduras.
  - Este aparelho é um equipamento ISM Grupo 2 Classe B. O Grupo 2 contém todos os equipamentos ISM (Industriais, Científicos e Médicos) nos quais a energia de radiofrequência é intencionalmente gerada e/ou usada na forma de radiação eletromagnética para o tratamento de materiais e equipamentos de erosão por faísca.
  - O equipamento de classe B é adequado para ser utilizado em estabelecimentos domésticos e estabelecimentos diretamente ligados a uma rede de alimentação de baixa tensão.
  - Não usar óleo alimentar no forno. O óleo quente pode danificar os componentes e materiais do forno e pode até causar queimaduras na pele.
  - Perfurar os alimentos com crosta espessa, como batatas, curgetes, maçãs e castanhas.
  - O aparelho deve ser colocado de forma que a parte traseira fique voltada para a parede.
  - Antes de deslocar o aparelho, deve prender o prato giratório para evitar danos.
  - Ovos na casca e ovos cozidos inteiros não devem ser aquecidos em fornos de microondas, uma vez que podem explodir, mesmo depois do aquecimento por micro-ondas terminar.
- ADVERTÊNCIA:** Se a porta ou os vedantes da porta estiverem danificados, o forno não deve funcionar até que seja reparado por pessoa qualificada.
- ADVERTÊNCIA:** É perigoso para qualquer pessoa que não um técnico competente prestar qualquer assistência ou operação de reparação que envolva a remoção da tampa que protege contra exposição à energia do micro-ondas.
- ADVERTÊNCIA:** Os líquidos e outros alimentos não devem ser aquecidos em recipientes fechados uma vez que estão sujeitos a explodir.
- O forno deve ser limpo regularmente e quaisquer resíduos de alimentos devem ser removidos.
  - Deve haver um espaço livre mínimo de 20 cm acima da superfície superior do forno.
  - Não cozinhar demais os alimentos; caso contrário, pode causar um incêndio.

# 1 Instruções importantes sobre a segurança e ambiente

- Não usar produtos químicos e equipamentos de limpeza a vapor para limpar o aparelho.
- Recomenda-se extremo cuidado ao ser usado perto de crianças e pessoas com restrições em capacidades físicas, sensoriais ou mentais.
- Este aparelho pode ser usado por crianças com 8 anos ou mais e por pessoas que tenham capacidade física, sensorial ou mental limitada ou que não tenham conhecimento e experiência, desde que sejam supervisionados quanto ao uso seguro do produto ou sejam instruídas nesse sentido ou compreendam os riscos do uso do produto. As crianças não devem brincar com o aparelho. Os procedimentos de limpeza e manutenção do utilizador não devem ser realizados por crianças a menos que sejam controladas pelos mais velhos.
- **Perigo de sufocação!** Manter o material de embalagem afastado do alcance das crianças.
- Devido ao calor excessivo que ocorre nos modos grelhador e combinado, as crianças só devem ser autorizadas a usar esses modos sob a supervisão de um adulto.
- Manter o produto e o cabo de alimentação de modo que não sejam acessíveis por crianças com menos de 8 anos de idade.
- Não cozinhar alimentos diretamente no tabuleiro de vidro. Colocar os alimentos em/sobre utensílios de cozinha adequados antes de os colocar no forno.
- Recipientes metálicos para alimentos e bebidas não são permitidos durante a cozedura no micro-ondas. Caso contrário, podem ocorrer faíscas.
- Este produto não foi projetado para ser embutido. Não coloque o produto em um armário ou caixa enquanto estiver em uso.

## 1.2 Em conformidade com a Diretiva WEEE e Eliminação de Resíduos:

Este produto está em conformidade com a Diretiva EU WEEE (2012/19/EU). Este produto possui um símbolo de classificação para resíduos de equipamento elétrico e eletrónico (REEE).



Este símbolo indica que este produto não deve ser eliminado com outros resíduos domésticos no fim da vida útil. O dispositivo usado deve ser entregue num ponto de recolha oficial para reciclagem de dispositivos elétricos e eletrónicos. Para encontrar estes sistemas de recolha deve contactar as autoridades locais ou o revendedor onde o produto foi adquirido. Cada família desempenha um papel importante na recuperação e reciclagem de equipamentos usados. A eliminação adequada de aparelhos usados ajuda a evitar

# 1 Instruções importantes sobre a segurança e ambiente

possíveis consequências negativas para o meio ambiente e a saúde humana.

## 1.3 Em conformidade com a Diretiva RoHS:

O produto que comprou cumpre com a Diretiva RoHS UE (2011/65/EU). Não contém materiais nocivos e proibidos especificados na Diretiva.

## 1.4 Informação da embalagem

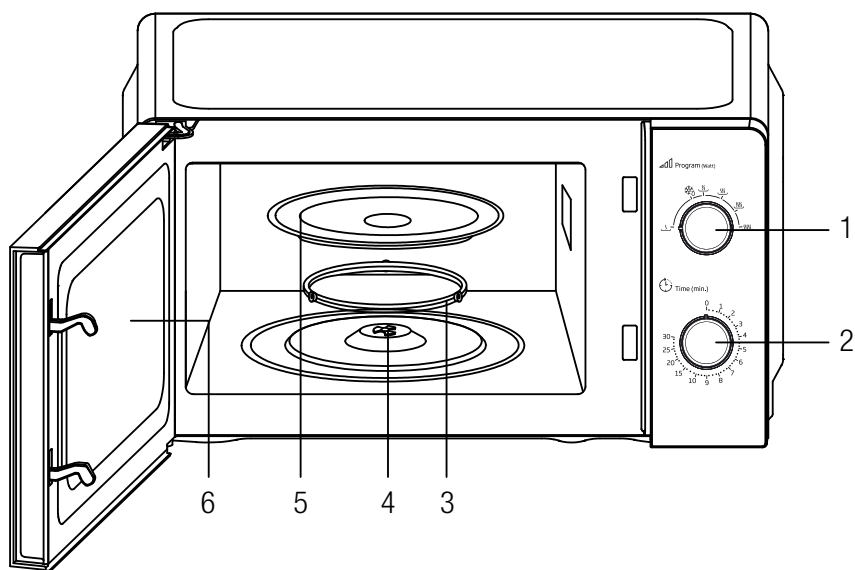


Os materiais de embalagem do produto são fabricados com materiais recicláveis de acordo com os nossos Regulamentos Ambientais Nacionais.

Não eliminar os materiais de embalagem junto com lixos domésticos ou outros. Colocar nos pontos de recolha de material de embalagem designados pelas autoridades locais.

# 2 O seu forno micro-ondas

## 2.1 Visão geral



### Controlos e peças

1. Botão de ativação
2. Botão do temporizador
3. Aro da rotação
4. Eixo
5. Tabuleiro de vidro
6. Janela do forno

### 2.2 Dados técnicos

<b>Tensão nominal</b>	230-240V~,50Hz
<b>Potência nominal de entrada</b>	1100W (Micro-ondas)
<b>Potência nominal de saída</b>	700W
<b>Frequência do micro-ondas</b>	2450MHz
<b>Nível de potência do micro-ondas</b>	6
<b>Dimensões exteriores (A*L*P) mm</b>	243*446*340 mm
<b>Prato giratório</b>	245 mm
<b>Capacidade do forno</b>	20 L
<b>Peso líquido</b>	10 kg
<b>Cor</b>	Branco / Preto / Prata

Estão reservados os direitos de modificações técnicas e de design.

As marcações no aparelho ou os valores especificados noutros documentos fornecidos com o produto são valores obtidos em condições laboratoriais de acordo com as normas respetivas. Estes valores podem variar de acordo com a utilização do aparelho e das condições ambientais.



# 3 Instalação e ligação

## 3.1 Instalação

1. Assegurar que os materiais de embalagem são removidos do interior da porta.



**ADVERTÊNCIA:** Verificar o forno em relação a quaisquer danos, como estar desalinhado ou a porta estar inclinada, vedantes danificados na porta e superfície de selagem, dobradiças da porta soltas ou partidas bem como os fechos e amolgadelas no interior da cavidade ou na porta. Se existir algum dano, não operar com o forno e contactar com pessoal de assistência qualificado.

2. Este micro-ondas tem de ser colocado numa superfície plana e estável que suporte o peso do mesmo e dos alimentos mais pesados a serem cozinhados no forno.
3. Não colocar o forno onde seja gerado calor, humidade elevada ou perto de materiais combustíveis.
4. Para um funcionamento correto, o forno tem de ter fluxo de ar suficiente. Permitir 20 cm de espaço acima do forno de 10 cm atrás e de 5 cm de ambos os lados. Não tapar ou bloquear quaisquer aberturas do aparelho. Não remover os pés.
5. Não colocar o forno em funcionamento sem o prato de vidro, o suporte rotativo e o eixo nas respetivas posições corretas.
6. Assegurar que o cabo de alimentação não está danificado e não passa por baixo do forno ou por cima de qualquer superfície quente ou aguçada.
7. A tomada tem de estar prontamente acessível de modo a que possa ser desligada facilmente em caso de emergência.
8. Não utilizar este forno no exterior.

## 3.2 Interferência de rádio

O funcionamento do forno micro-ondas pode provocar interferência no seu rádio, TV ou equipamento similar.

Quando há interferência, a mesma pode ser reduzida ou eliminada tomando as seguintes medidas:

1. Limpar a porta e a superfície vedante do forno.
2. Reorientar a antena de receção do rádio ou da televisão.
3. Voltar a posicionar o micro-ondas tendo em consideração a posição do recetor.
4. Mover o micro-ondas para longe do recetor.
5. Ligar o forno micro-ondas numa tomada diferente de modo a que o forno micro-ondas e o recetor estejam em circuitos de derivação diferentes.

Os fios neste cabo elétrico são coloridos de acordo com o código seguinte:

**Verde e amarelo = TERRA**

**Azul = NEUTRO**

**Castanho = SOB TENSÃO**

## 3.3 Princípios de cozedura em micro-ondas

1. Preparar os alimentos cuidadosamente. Colocar as restantes partes do lado de fora do prato.
2. Prestar atenção ao tempo de cozedura. Cozinhar no menor tempo especificado e adicionar mais algum tempo, se necessário. Alimentos cozidos demais podem causar fumo ou podem ficar queimados.
3. Cobrir os alimentos enquanto cozinhar. Cobrir os alimentos evita salpicos e ajuda a garantir que os alimentos são cozinhados uniformemente.
4. Virar alimentos como aves e hambúrgueres quando os cozinhar no forno micro-ondas para acelerar a cozedura desse tipo de alimentos. Alimentos maiores, como assados, devem ser virados pelo menos uma vez.
5. Virar alimentos como almôndegas de cabeça para baixo a meio da cozedura e trocá-los uns


# 3 Instalação e ligação


com os outros a partir do centro do prato para o lado de fora.

## 3.4 Instruções de ligação à terra

O aparelho deve ser ligado à terra. Este forno tem um cabo de ligação à terra com uma tomada de terra. O aparelho deve ser ligado a uma tomada instalada e ligada à terra corretamente. O sistema de ligação à terra permite um cabo de descarga para a corrente elétrica em caso de curto-circuito e reduz o risco de choque elétrico. Recomendamos o uso de um circuito elétrico dedicado ao forno. Funcionar com alta tensão é perigoso e pode causar incêndio ou outros acidentes que podem causar danos ao forno.

 **ADVERTÊNCIA:** O uso incorreto da ficha de ligação à terra pode causar choque elétrico.

 Se tiver alguma dúvida sobre ligação à terra e instruções elétricas, consultar um técnico em eletricidade ou pessoal de assistência qualificado.

 O fabricante e/ou distribuidor não aceitará qualquer responsabilidade por lesões ou danos no forno que possam ocorrer quando os procedimentos de ligação elétrica não forem seguidos.

## 3.5 Guia de utensílios

1. A microonda não penetra no metal. Usar apenas utensílios adequados para fornos micro-ondas. Recipientes metálicos para alimentos e bebidas não são permitidos durante a cozedura no micro-ondas. Este requisito não é aplicável se o fabricante especificar o tamanho e a forma dos recipientes metálicos adequados para cozinhar no micro-ondas.
2. A microonda não penetra no metal, portanto não devem ser usados utensílios metálicos ou

pratos com rebordos metálicos.

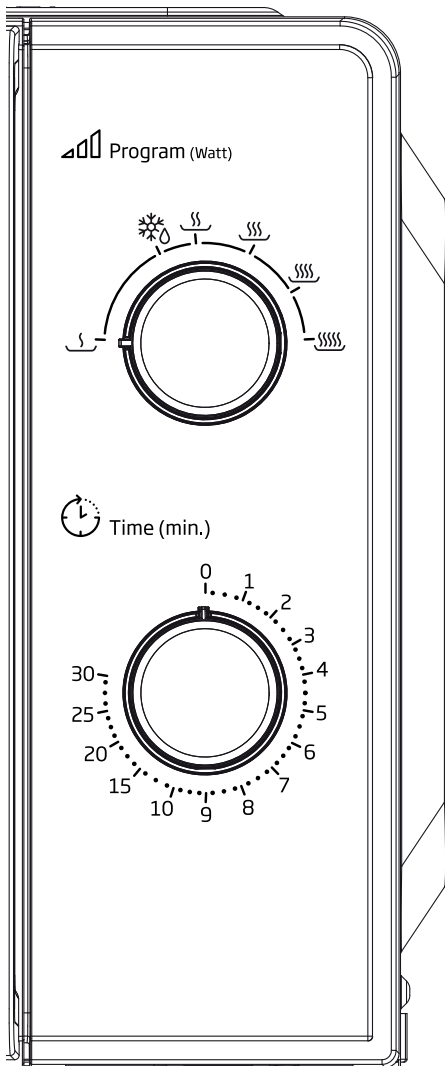
3. Não utilizar produtos em papel reciclado quando cozinhar no micro-ondas, dado os mesmo poderem conter fragmentos metálicos que podem causar faíscas e/ou incêndio.
4. São recomendados pratos redondos/ovais em vez de pratos quadrados/oblongos, dado os alimentos tenderem a cozer em demasiado nos cantos.
5. Podem ser usadas faixas de papel de alumínio para evitar a cozedura em demasia nas zonas expostas. Mas deve ser tido cuidado para não usar demasiado e manter a distância de 1 polegada (2,54 cm) entre o papel e a cavidade.

A lista abaixo é um guia geral para o ajudar a selecionar os utensílios corretos.

Utensílios de cozinha	Micro-ondas
Vidro resistente ao calor	Sim
Vidro não resistente ao calor	Não
Cerâmica resistente ao calor	Sim
Prato em plástico seguro para o micro-ondas	Sim
Papel de cozinha	Sim
Tabuleiro de metal	Não
Prateleira de metal	Não
Recipientes em película e papel de alumínio	Não

## 4 Funcionamento

### 4.1 Painel de controlo



O painel de controlo consiste em dois operadores de função. Um é o botão do temporizador e outro um botão de ativação.

#### Botão de ativação

Este botão é utilizado para escolher um nível de potência de cozedura. É o primeiro passo para iniciar a cozedura.

#### Botão do temporizador

Possibilidade de visualizar as definições do tempo com uma rotação fácil do polegar para selecionar o tempo de cozedura pretendido até 30 minutos por cada cozedura.

#### Cozedura no micro-ondas

Para uma cozedura apenas no micro-ondas, existem seis níveis de potência dos quais pode escolher aquele que mais se ajusta à tarefa que está a realizar.

O nível de potência aumenta com a rotação do botão no sentido horário. Os níveis de potência podem ser classificados como se indica:

	Saída de potência	Descrição
1	100%	Elevada
2	88%	M. Elevada
3	73%	Média
4	52%	M. Reduzida
5	42%	Descongelação
6	20%	Reduzida

### 4.2 Funcionamento

Para iniciar a cozedura.

1. Colocar os alimentos no forno e fechar a porta.
2. Rodar o botão de alimentação (1) para selecionar o nível de potência.
3. Usar o botão do temporizador (2) para definir um tempo de cozedura



Assim que o temporizador for rodado, o forno começa a cozinhar. Quando selecionar o tempo para menos de 2 minutos, rodar o temporizador para mais de 2 minutos e depois voltar ao tempo correto.

## 4 Funcionamento

---



**CUIDADO:** Colocar sempre o temporizador de volta na posição zero se os alimentos forem removidos do forno antes de o tempo de cozedura definido estar concluído ou quando o forno não estiver a ser utilizado. Para parar o forno durante o processo de cozedura, pressionar o botão de libertação da porta ou abrir a porta com a pega.

# 5 Limpeza e manutenção

## 5.1 Limpeza



**ADVERTÊNCIA:** Nunca usar gasolina, solvente, produtos de limpeza abrasivos, objetos de metal ou escovas duras para limpar o aparelho.



**ADVERTÊNCIA:** Nunca submergir o aparelho ou o cabo de alimentação em água ou qualquer outro líquido.

1. Desligar o aparelho e desligá-lo da tomada de parede.
2. Aguardar que o aparelho arrefeça totalmente.
3. Manter o interior do forno limpo. Limpar com um pano húmido quando se agarrarem alimentos respingados ou líquidos derramados às paredes do forno. Pode ser usado um detergente neutro se o forno ficar muito sujo. Evitar o uso de sprays e outros agentes de limpeza duros, pois podem causar manchas, marcas e opacidade na superfície da porta.
4. Outras superfícies do forno devem ser limpas com um pano húmido. Não permitir a entrada de água nas aberturas de ventilação para evitar danos às partes operacionais do forno.
5. Limpe ambos os lados da porta e o vidro, as juntas da porta e peças perto das juntas frequentemente com um pano húmido para remover as manchas que transbordam e respingam. Não usar agentes de limpeza abrasivos.
6. Um limpador a vapor não deve ser usado.
7. Não permitir que o painel de controlo se molhe. Limpar com um pano húmido suave. Deixar a porta do forno aberta para evitar funcionamento inadvertido durante a limpeza do painel de controlo.
8. Se o vapor se acumular dentro ou ao redor da porta do forno, limpar com um pano macio. Isto pode ocorrer quando o forno micro-ondas funcionar sob condições de humidade elevada. É normal.
9. Em alguns casos, pode ser necessário remover o tabuleiro de vidro para limpeza. Lavar o tabuleiro em água morna com sabão ou na máquina de lavar louça.
10. O anel de rolagem e o piso do forno devem ser limpos regularmente para evitar ruído excessivo. Deve ser suficiente limpar a superfície inferior do forno com um detergente suave. O anel de rolagem pode ser lavado em água morna com sabão ou na máquina de lavar louça. Ao remover o anel de rolagem do piso interior do forno para limpeza, assegurar que o instala na posição correta ao voltar a colocar.
11. Para eliminar os maus odores do forno, colocar um copo de água e sumo e a casca de um limão numa tigela funda adequada para micro-ondas e deixar funcionar o forno durante 5 minutos no modo micro-ondas. Limpar bem e secar com um pano suave.
12. Deve contactar a assistência autorizada quando a lâmpada do forno precisar de ser substituída.
13. O forno deve ser limpo regularmente e quaisquer resíduos de alimentos devem ser removidos. Se o forno não for mantido limpo, isto pode causar defeitos de superfície que afetariam negativamente o ciclo de vida do aparelho e que poderiam causar riscos.
14. Não eliminar o aparelho com o lixo doméstico; os fornos antigos devem ser eliminados em centros especiais de resíduos disponibilizados pelos municípios.
15. Quando o forno micro-ondas é utilizado na função grelhador, pode surgir uma pequena quantidade de fumo e odor que irá desaparecer após um determinado tempo de utilização.

# 5 Limpeza e manutenção

## 5.2 Armazenamento

- Se não pretender usar o aparelho durante um período de tempo longo, armazená-lo cuidadosamente.
- Deve assegurar que o aparelho está desligado, arrefecido e totalmente seco.
- Armazenar o aparelho num espaço bem ventilado e seco.
- Manter o aparelho fora do alcance das crianças.

## 5.3 Manuseio e transporte

- Durante o manuseamento e transporte, levar o aparelho na embalagem original. A embalagem do aparelho protege-o contra danos físicos.
- Não colocar cargas pesadas sobre o aparelho ou sobre a embalagem. O aparelho pode ficar danificado.
- Deixar cair o aparelho irá torná-lo inoperacional ou causar danos permanentes.

# 6 Resolução de problemas

Problema	Solução possível
Se o forno não funcionar	Verificar para assegurar que o forno está ligado com firmeza. Se não estiver, remover a ficha da tomada, aguardar 10 segundos e ligar o mesmo novamente com firmeza.
	Verificar se há algum fusível queimado ou um corta-circuitos elétricos acionados. Se estes estiverem a funcionar corretamente, testar a tomada com outro aparelho.
	Verificar para assegurar que o painel de controlo está corretamente programado e o temporizador está definido.
	Verificar para assegurar que a porta está bem fechada acionando o sistema de bloqueio de segurança da porta. Caso contrário, a energia de microonda não irá fluir para dentro do forno.
Se nenhuma das soluções acima retificar a situação, então deve contactar um técnico qualificado. Não tentar ajustar ou reparar o forno de forma autónoma.	



**Contacte a assistência técnica:  
707 014 192 / 215 557 319**

#### **CONDIÇÕES DE GARANTIA - PORTUGAL**

Este certificado cobre a garantia de reparação do seu eletrodoméstico da linha branca e pequeno eletrodoméstico (\*) durante o período de garantia legal determinado pela legislação em vigor a contar da data de compra, contra defeitos de funcionamento provenientes do fabrico ou dos materiais; ou de substituição do aparelho, a menos que uma dessas opções seja impossível ou desproporcionada em relação à outra. Quando detetar um defeito ou anomalia no aparelho entre imediatamente em contacto connosco para nos informar da não conformidade. Os pequenos eletrodomésticos devem ser entregues na oficina de serviço oficial da marca para a sua revisão.

Esta garantia só será válida se for apresentada a fatura, o recibo de compra, ou a nota de entrega correspondente a aquisição do produto. Esta garantia é válida em território espanhol e português para aparelhos distribuído pela Beko Home Appliances Portugal, Unipessoal, Lda. A garantia só é válida para o primeiro comprador ou adquirente do produto. A garantia será válida para os aparelhos cuja instalação esteja correta e que estejam localizados em condições climáticas e ambientais adequadas para o seu correto funcionamento.

#### **EXCLUSÕES DA GARANTIA**

O custo da reparação será pago pelo utilizador nos seguintes casos:

- Aparelhos utilizados para uso profissional ou não exclusivamente doméstico.
- Os equipamentos desmontados ou manuseados por outras pessoas que não os serviços técnicos expressamente autorizados.
- Instalações, transporte, substituição de equipamento, colocação em funcionamento, alteração do sentido das portas.
- Intervenções de manutenção ou informações sobre a utilização dos aparelhos.
- Alteração de injetores em aparelhos a gás.
- As avarias causadas pela falta de manutenção ou limpeza, ou aquelas causadas por um uso inadequado, sobrecarga, abandono ou de uma forma a não respeitar as instruções de uso ou instalação dos aparelhos.
- As avarias provocadas por causas acidentais, sinistros de força maior ou resultantes de instalação inadequada e em geral, avarias por razões não relacionadas com o produto.
- As avarias causadas por ligações que podem apresentar flutuações, irregularidades ou falta de uniformidade no fornecimento, por exemplo: abastecimento de água impulsionado por grupos de pressão, energia solar, energia eólica, geradores de energia elétrica ou outro tipo de fornecimento não-padrão.
- A substituição de materiais quebrados ou danificados por desgaste ou uso não normal do aparelho, ou consumíveis tais como: juntas, plásticos, borracha, correias, vidros, pincéis, lâmpadas, asas, puxadores, tampas de queimadores, filtros, grelhas, ânodos de sacrifício (magnésio ou similares) de aquecedores ou caldeiras, etc.
- Os aparelhos que apresentem oxidação, ou danos por corrosão nos esmaltes ou na pintura, que possam ter sido causados por efeitos químicos ou eletroquímicos da água ou de qualquer outra substância, ou acelerados por circunstâncias ambientais ou climáticas desfavoráveis.
- Defeitos estéticos em serigrafia ou pintura.
- Os danos causados por transporte ou manuseio, colisões, etc.
- Os aparelhos devem ser instalados de forma acessível em caso de reparação, devendo o utilizador assumir os custos necessários para aceder ao aparelho para reparação e substituição.

A presente garantia não afeta os direitos de que o consumidor dispõe conforme o previsto na legislação em vigor. O Serviço Oficial de Assistência Técnica resolverá qualquer incidente que o seu aparelho possa necessitar, desde que o aparelho seja instalado de forma acessível.

As marcas BEKO e GRUNDIG são distribuídas por Beko Home Appliances Portugal, Unipessoal, Lda

#### **DADOS DO APARELHO (a ser preenchido pelo Distribuidor):**

Detentor:	Carimbo do estabelecimento:	
Modelo:	Nº série:	
Estabelecimento:	Data de compra:	

**O fiador e o importador do seu eletrodoméstico é: Beko Home Appliances Portugal, Unipessoal, Lda; Edifício Amoreiras Square; Rua Carlos Alberto da Mota Pinto, nº 17, 3ªA, Amoreiras 1070-313, Lisboa, Portugal.**

**Conheça-nos melhor na nossa página: [www.beko.com](http://www.beko.com) Conserve este documento, é importante para si.**

(\*) São considerados eletrodomésticos da linha branca, os aparelhos de cozinha, limpeza, refrigeração e ventilação de tamanho grande e pequenos eletrodomésticos, os de higiene pessoal, manutenção do lar e preparação de alimentos.

# Lees eerst deze gebruikershandleiding!

Zeer gewaardeerde klant,

Bedankt voor uw voorkeur voor dit Beko-toestel. Wij hopen dat u de beste resultaten haalt uit uw toestel dat met hoge kwaliteit en de modernste technologie is geproduceerd. Lees daarom deze gehele gebruikershandleiding en alle andere bijgeleverde documenten zorgvuldig door voordat u het apparaat gaat gebruiken en bewaar deze ter referentie in de toekomst. Als u het product aan iemand anders geeft, overhandig dan ook de gebruikershandleiding. Volg de instructies op door op alle informatie en waarschuwingen te letten in de gebruikershandleiding.

Vergeet niet dat deze gebruikershandleiding ook van toepassing kan zijn op andere modellen. Verschillen tussen de modellen worden expliciet beschreven in de handleiding.

## Betekenis van de symbolen

De volgende symbolen worden gebruikt in de verschillende delen van deze handleiding:

	Belangrijke informatie en nuttige aanwijzingen voor gebruik.
	Waarschuwingen voor levensgevaarlijke situaties en schade aan eigendom.
	Waarschuwing voor hete oppervlakken.
	<b>WAARSCHUWING:</b> Gevaar voor elektrische schok.



Dit apparaat is in een milieuvriendelijke, moderne faciliteit geproduceerd zonder het milieu op welke wijze dan ook te schaden.

---



# 1 Belangrijke veiligheids- en milieu-instructies

## Belangrijke veiligheidsinstructies Lees aandachtig en bewaar ze voor een eventuele toekomstige raadpleging

### 1.1 Veiligheidsinformatie

Dit hoofdstuk bevat veiligheidsinstructies die helpen beschermen tegen het risico van brand, elektrische schokken, blootstelling aan lekken van microgolvenenergie, persoonlijk letsel of materiële schade. Het niet naleven van deze instructies resulteert in de nietigverklaring van de garantie.

- De magnetrons van Beko zijn conform de geldige veiligheidsnormen; om die reden, in het geval van schade aan het apparaat of het netsnoer, moet het worden gerepareerd of vervangen door de verdeler, het servicecentrum of een specialist en geautoriseerde service om risico's te voorkomen. Slechte reparatiewerken kunnen gevaar en risico's veroorzaken voor de gebruiker.
- Dit apparaat is bedoeld voor huishoudelijk gebruik en gelijkaardige toepassingen zoals:
  - Personeelskeukens in winkels, kantoren en andere professionele omgevingen;
  - Boerderijen
  - Door klanten in hotels en andere residentiële omgevingen;
  - Bed and breakfast type omgevingen.
- Het is niet ontworpen voor industrieel of laboratorium gebruik.
- Probeer de magnetron niet te gebruiken als de deur open is; zo niet kunt u worden blootgesteld aan schadelijke microgolvenenergie. De veiligheidsvergrendelingen mogen niet worden uitgeschakeld of omzeild.
- De magnetron is bedoeld om eten-waren en drank op te warmen. Eten-waren of kleding drogen en verwarmingskussen, slippers, sponzen, vochtige doeken of iets gelijkaardig opwarmen, kan resulteren in het risico van letsel, ontsteking of brand.
- Plaats geen voorwerp tussen de voorzijde en de deur van de magnetron. Laat geen vuil of resten van reinigingsmiddelen opbouwen op de sluitingsoppervlakken.

# 1 Belangrijke veiligheids- en milieu-instructies

- Alle onderhoudswerken, inclusief het verwijderen van de afscherming die bescherming biedt tegen de blootstelling aan microgolvenenergie, moeten worden uitgevoerd door geautoriseerde personen/diensten. Elke andere benadering is gevaarlijk.
- Uw product is bedoeld om etenswaren te koken, op te warmen en te ontdooien bij u thuis. Dit apparaat mag niet voor commerciële doeleinden worden gebruikt.
- Uw magnetron is niet ontworpen om een levend wezen te drogen.
- Gebruik uw apparaat niet om kleding of keukenhanddoeken te drogen.
- Gebruik dit apparaat niet buiten, in badkamers, vochtige omgevingen of in plaatsen waar het nat kan worden.
- Er mag geen verantwoordelijkheid of garantieclaim worden verondersteld voor schade als resultaat van misbruik of een incorrecte hantering van het apparaat.
- Probeer het apparaat nooit te ontmantelen. Er worden geen garantieclaims aanvaard voor schade als het gevolg van een incorrecte hantering.
- Gebruik uitsluitend originele onderdelen of onderdelen die door de fabrikant worden aanbevolen.
- Laat het apparaat niet zonder toezicht als het in werking is.
- Gebruik het apparaat altijd op een stabiel, plat, schoon, droog en antislip oppervlak.
- Het apparaat mag niet worden bediend met een externe timer of afzonderlijke afstandsbediening.
- U moet alle onderdelen reinigen voor u het apparaat de eerste maal in gebruik neemt. Raadpleeg de details vermeld in het hoofdstuk "Reiniging en onderhoud".
- Gebruik het apparaat uitsluitend voor de beoogde doeleinden zoals beschreven in deze handleiding.
- Het apparaat wordt zeer warm wanneer het in gebruik is. Let erop geen hete onderdelen van de magnetron aan te raken.
- Bedien de oven niet als hij leeg is.
- Keukengereedschap kan warm worden omwille van de warmte die wordt overgedragen van de opgewarmde etenswaren naar het gereedschap. Het is mogelijk dat u ovenwanten moet gebruiken om het gereedschap vast te houden.
- Het gereedschap moet worden

# 1 Belangrijke veiligheids- en milieu-instructies

- gecontroleerd om zeker te zijn dat ze geschikt zijn voor gebruik in een magnetron.
- Plaats de magnetron niet op een fornuis of andere apparaten die warmte genereren. Zo niet kan hij worden beschadigd en wordt de garantie nietig verklaard.
  - Er kan stoom ontsnappen wanneer de afdekking of de folie wordt geopend na de bereiding van de etenswaren.
  - Het apparaat en de toegankelijke oppervlakken kunnen heel warm zijn als het apparaat in gebruik is.
  - De deur en de glazen plaat kunnen heel warm zijn als het apparaat in gebruik is.
  - Zorg ervoor dat uw netspanning overeenstemt met de gegevens op het typeplaatje van het apparaat.
  - De enige manier om het apparaat los te koppelen van het elektrisch net is door de stekker te verwijderen uit het stopcontact.
  - Gebruik het apparaat enkel met een gaard stopcontact.
  - Gebruik het apparaat niet als het netsnoer of het apparaat zelf beschadigd is.
  - Gebruik dit apparaat niet met een verlengsnoer.
  - Raak het apparaat of de stekker nooit aan met vochtige of natte handen.
  - Het apparaat moet zodanig worden gepositioneerd dat de stekker toegankelijk blijft.
  - Voorkom schade aan het netsnoer door het niet plat te drukken, te buigen of over scherpe randen te schuren. Houd het netsnoer uit de buurt van hete oppervlakken en open vlammen.
  - Zorg ervoor dat er geen gevaar bestaat dat iemand per ongeluk kan trekken aan het netsnoer of dat er iemand over kan struikelen wanneer het apparaat in gebruik is.
  - Verwijder de stekker uit het stopcontact na elke reiniging en wanneer u het apparaat niet gebruikt.
  - Trek niet aan het netsnoer van het apparaat om het los te koppelen van het elektrisch net en wikkel het netsnoer nooit rond het apparaat.
  - Dompel het apparaat, het netsnoer of de stekker nooit onder in water of in een andere vloeistof. Houd het niet onder stromend water.
  - Als u etenswaren opwarmt in papieren of plastic containers moet u de ogen in het oog houden en opletten voor een mogelijke ont-

# 1 Belangrijke veiligheids- en milieu-instructies

branding.

- Verwijder de draadstrips en/of metalen handvaten van papieren of plastic zakjes voor u ze in de magnetron plaatst.
- Als u rook opmerkt, moet u het apparaat uitschakelen of de stekker uit het stopcontact verwijderen, als dit veilig kan, en de deur gesloten houden om eventuele vlammen te smoren.
- Gebruik de magnetron niet voor opslag. Laat geen papieren items, kookmateriaal of voedsel in de magnetron staan als u hem niet gebruikt.
- De inhoud van zuigflessen en babyvoeding moeten worden geschud of gemengd en de temperatuur moet worden gecontroleerd voor verbruik om brandwonden te vermijden.
- Dit apparaat is een Groep 2 klasse B ISM apparaat. Groep 2 bevat alle ISM (Industrieel, Wetenschappelijk en Medisch) apparaat waarin radiofrequentie energie opzettelijk wordt gegenereerd en/of gebruikt in de vorm van elektromagnetische straling voor de behandeling van materiaal en vonkerosie apparaat.
- Klasse B apparatuur is geschikt voor huishoudelijk gebruik en

voor gebruik in vestigingen die rechtstreeks zijn verbonden met een laagspanningsnetwerk.

- Gebruik geen kookolie in de magnetron. Hete olie kan de onderdelen en het materiaal van de magnetron beschadigen en het kan brandwonden veroorzaken op de huid.
- Doorprik etenswaren met een dikke korst zoals aardappelen, courgettes, appels en kastanjes.
- Het apparaat moet zodanig worden geplaatst dat de achterzijde naar de muur is gericht.
- Voor u het apparaat verplaatst, moet u de draaitafel vastmaken om schade te voorkomen.
- Eieren in de schaal en volledige hardgekookte eieren mogen niet worden opgewarmd in de magnetron want ze kunnen ontploffen, zelfs na het opwarmen van de magnetron.

**WAARSCHUWING:** Als de deur of afdichtingen van de deur beschadigd zijn, mag u de magnetron niet gebruiken. U moet hem laten repareren door een bevoegde persoon.

**WAARSCHUWING:** Het is gevaarlijk voor iemand die niet bevoegd is om een onderhoud of reparatie uit te voeren waarbij een afdekking moet

# 1 Belangrijke veiligheids- en milieu-instructies

worden verwijderd die bescherming biedt tegen blootstelling aan magnetron energie.

**WAARSCHUWING:** Vloeistoffen en andere etenswaren mogen niet worden opgewarmd in gesloten containers aangezien ze kunnen ontploffen.

- De magnetron moet regelmatig worden gereinigd en etensresten moeten worden verwijderd.
- Er moet ten minste 20 cm vrije ruimte worden gelaten boven de magnetron.
- U mag etenswaren niet te lang in de magnetron bereiden: dit kan namelijk brand veroorzaken.
- Gebruik geen chemicaliën en stoomreinigers om het apparaat te reinigen.
- U moet uiterst voorzichtig zijn als u het apparaat gebruikt in de buurt van kinderen en personen met een beperkt fysiek, gevoelsmatig en mentaal vermogen.
- Dit apparaat mag worden gebruikt door kinderen van 8 jaar of ouder en door personen met een beperkt fysiek, gevoelsmatig of mentaal vermogen of met een gebrek aan kennis en ervaring, op voorwaarde dat zij onder toezicht staan met betrekking tot het veilige gebruik van het product of dat ze de instructies hebben gekregen of de potentiële gevaren van het gebruik van het product begrijpen. Kinderen mogen niet spelen met het apparaat. De reiniging en de onderhoudsprocedures van de gebruiker mogen niet worden uitgevoerd door kinderen tenzij ze onder toezicht staan van een oudere persoon.
- **Verstikkingsgevaar!** Houd alle verpakkingsmateriaal uit de buurt van kinderen.
- Vanwege de overmatige hitte die wordt gegenereerd in de grill- en combinatiemodi mogen kinderen deze modi niet gebruiken tenzij ze onder toezicht staan van een volwassene.
- Houd het product en het netsnoer buiten handbereik van kinderen jonger dan 8 jaar.
- Plaats de etenswaren die u wilt bereiden niet rechtstreeks op de glazen schotel. Plaats de etenswaren in / op geschikte containers voor u ze in de magnetron plaatst.
- Metalen containers voor etenswaren en drank zijn niet toegelaten voor bereidingen in de magnetron. Deze kunnen vonken veroorzaken.

# 1 Belangrijke veiligheids- en milieu-instructies

- Dit product is niet ontworpen om ingebouwd te worden. Plaats het product niet in een kast of doos terwijl het in gebruik is.

het verpakkingsmateriaal niet samen met het huishoudelijke of ander afval weggooien. Breng het naar de inzamelpunten voor verpakkingsmateriaal aangewezen door de lokale autoriteiten.

## 1.2 Conformiteit met de WEEE-richtlijn en Verwijdering van afvalproducten:

Dit product is conform met de EU WEEE-richtlijn (2012/19/EU). Dit product draagt een classificatiesymbool voor afval elektrische en elektronische apparatuur (WEEE).



Dit symbool wijst erop dat dit product niet mag worden weggegooid met ander huishoudelijk afval aan het einde van de levensduur. Een gebruikt apparaat moet naar een officieel inzamel-

punt worden gebracht voor recycling van elektrische en elektronische apparaten. Neem contact op met uw lokale autoriteiten of detailhandelaar waar het product is gekocht om deze collectiesystemen te vinden. Elk gezin speelt een belangrijke rol in de recuperatie en recycling van oude apparaten. De correcte verwijdering van gebruikte apparatuur helpt potentiële negatieve gevolgen voor het milieu en de volksgezondheid te voorkomen.

## 1.3 Conformiteit met de RoHS-richtlijn

Het product dat u hebt gekocht is conform met de Europese RoHS-richtlijn (2011/65/EU). Het bevat geen schadelijk en verboden materiaal zoals gespecificeerd in de Richtlijn.

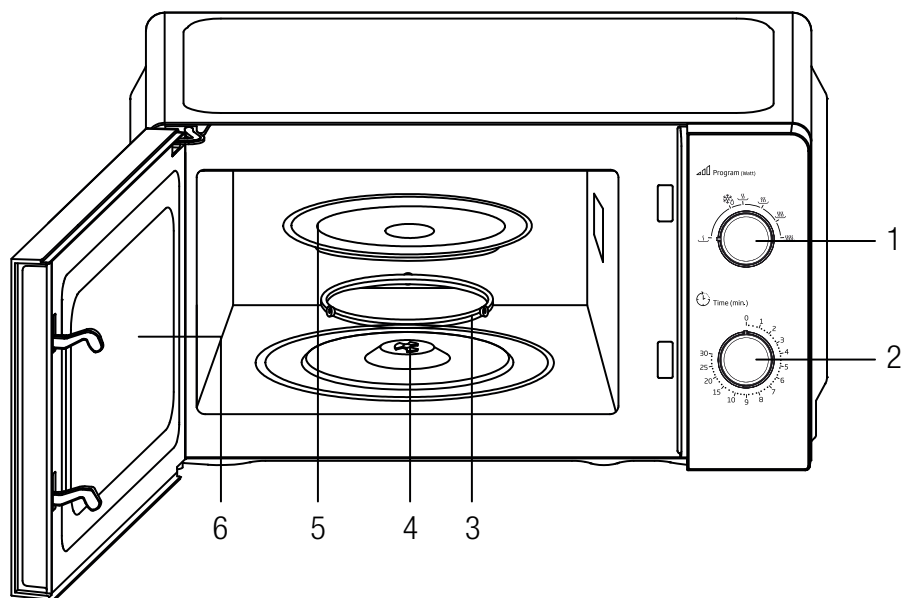
## 1.4 Informatie op de verpakking



Het verpakkingsmateriaal van het product is gefabriceerd van recyclebaar materiaal in overeenstemming met onze Nationale Milieuwetgeving. U mag

## 2 Uw magnetronoven

### 2.1 Overzicht



### Bediening en onderdelen

1. Aan/Uit-knop
2. Timer-knop
3. Timer-knop
4. As
5. Glazen schotel
6. Magnetronvenster

### 2.2 Technische gegevens

<b>Nominale spanning</b>	230-240V~, 50Hz
<b>Nominale ingang</b>	1100W (magnetron)
<b>Nominale uitgang</b>	700W
<b>Magnetron frequentie</b>	2450MHz
<b>Magnetron vermogensniveau</b>	6
<b>Externe afmetingen (H*B*D) mm</b>	243*446*340 mm
<b>Glazen draaitafel</b>	245 mm
<b>Magnetroncapaciteit</b>	20 L
<b>Nettogewicht</b>	10 kg
<b>Kleur</b>	Wit / Zwart / Zilver

Technische en ontwerp wijzigingsrechten zijn voorbehouden.

De markeringen op het apparaat of de waarden vermeld in andere documenten die worden geleverd met het product zijn waarden verkregen in laboratorium omstandigheden volgens de relevante normen. Deze waarden kunnen variëren naargelang het gebruik van het apparaat en omgevingsvoorwaarden.

## 3 Installatie en aansluiting

### 3.1 Installatie

1. Zorg ervoor dat al het verpakkingsmateriaal is verwijderd aan de binnenzijde van de deur.



**WAARSCHUWING:** Inspecteer de magnetron op schade, zoals een slecht uitgelijnde of gebogen deur, beschadigde deurafdichtingen en het oppervlak van de afdichting, gebroken of losse scharnieren en sluitingen en deuken in de holte of op de deur. Als u schade vaststelt, mag u de magnetron niet bedienen en moet u contact opnemen met een gekwalificeerde onderhoudstechnicus.

2. Deze magnetron moet op een vlak, stabiel oppervlak worden geplaatst die het gewicht en de zwaarste etenswaren kan dragen die kunnen worden bereid in de magnetron.
3. Plaats de magnetron niet waar warmte, vocht of een hoge vochtigheidsgraad worden gegeneerd, of in de buurt van brandbaar materiaal.
4. Er moet voldoende ventilatie aanwezig zijn rond de magnetron voor een goede werking. Laat 20 cm vrije ruimte boven de magnetron, 10 cm achteraan en 5 cm aan beide zijden. U mag de openingen van het apparaat niet afdekken of blokkeren. U mag de voeten niet verwijderen.
5. U mag de magnetron niet gebruiken zonder de glazen schotel, het wielstel en de as aangebracht in hun correcte positie.
6. Zorg ervoor dat het netsnoer niet is beschadigd en niet onder de magnetron is aangebracht, noch over een warm of scherp oppervlak.
7. Het stopcontact moet gemakkelijk toegankelijk zijn zodat de stekker snel kan worden verwijderd in een noodsituatie.
8. Gebruik de magnetron niet buitenshuis.

### 3.2 Radiostoring

De werking van de magnetron kan storingen veroorzaken in uw radio, televisie of gelijkaardige apparaten.

Als een dergelijke storing optreedt, kan deze worden verminderd of verwijderd door de volgende maatregelen te nemen:

1. Reinig de deur en afdichtingsoppervlak van de magnetron.
2. Heroriënteer de ontvangende antenne of radio of televisie.
3. Verplaats de magnetron in verhouding met de ontvanger.
4. Verwijder de magnetron uit de buurt van de ontvanger.
5. Steek de stekker van de magnetron in een ander stopcontact zodat de magnetron en de ontvanger op verschillende circuits zijn aangesloten.

De draden in deze kabels zijn gekleurd in overeenstemming met de volgende code:

**Groen en geel = AARDING**

**Blauw = NEUTRAAL**

**Bruin = ONDER SPANNING**

### 3.3 Basisregels van magnetronkoken

1. Bereid het voedsel met veel zorg. Plaats de resterende delen aan de buitenkant van de schotel.
2. Let op de bereidingstijd. Bereid in de kortst aangegeven tijd en voeg indien nodig meer tijd toe. Overgaar voedsel kan rook veroorzaken of verbranden.
3. Dek het voedsel tijdens de bereiding af. Het afdekken van het voedsel voorkomt spatten en helpt het voedsel gelijkmatig te bereiden.
4. Draai voedsel zoals gevogelte en hamburgers om tijdens de bereiding in een magnetron om de bereiding van dit soort voedsel te versnellen. Grotere stukken voedsel, zoals een braadstuk, moet minstens eenmaal gedraaid worden.
5. Draai voedsel zoals gehaktballen halverwege de bereidingstijd om en verplaats de gehaktballen in het midden naar de zijanten en andersom.



## 3 Installatie en aansluiting

### 3.4 Instructies voor aarding

Dit apparaat moet worden geaard. Deze oven heeft een geaarde kabel met een geaarde stekker. Het apparaat moet worden aangesloten op een geïnstalleerd en correct geaard stopcontact. Het aardingssysteem heeft een lekdraad voor elektrische stroom in geval van een kortsluiting en vermindert het risico op een elektrische schok. We raden u aan een elektrisch circuit alleen voor de oven te gebruiken. De werking met hoogspanning is gevaarlijk en kan brand of andere ongelukken veroorzaken die de oven kunnen beschadigen.



**WAARSCHUWING:** Verkeerd gebruik van de geaarde stekker kan een elektrische schok veroorzaken.



Raadpleeg voor vragen over aarding en elektrische instructies een bevoegde elektricien of servicepersoneel.



De fabrikant en/of handelaar zijn niet aansprakelijk voor letsel of schade aan de oven die is ontstaan door het niet nakomen van de procedures van de elektrische aansluiting.

3. Gebruik geen gerecycled papieren producten in de magnetron want deze kunnen kleine metalen fragmenten bevatten die vonken en/of brand kunnen veroorzaken.
4. Ronde/ovale schotels eerder dan vierkante/langwerpige worden aanbevolen aangezien etenswaren in de hoeken het risico lopen te hard te worden gebakken.
5. Smalle stroken aluminium mogen worden gebruikt om oververhitting van blootgestelde zones te voorkomen. Zorg er echter voor niet te veel folie te gebruiken en een afstand van 2,54 cm te bewaren tussen de folie en de holte.

De onderstaande lijst is een algemene gids om u te helpen het correcte kookgerei te kiezen.

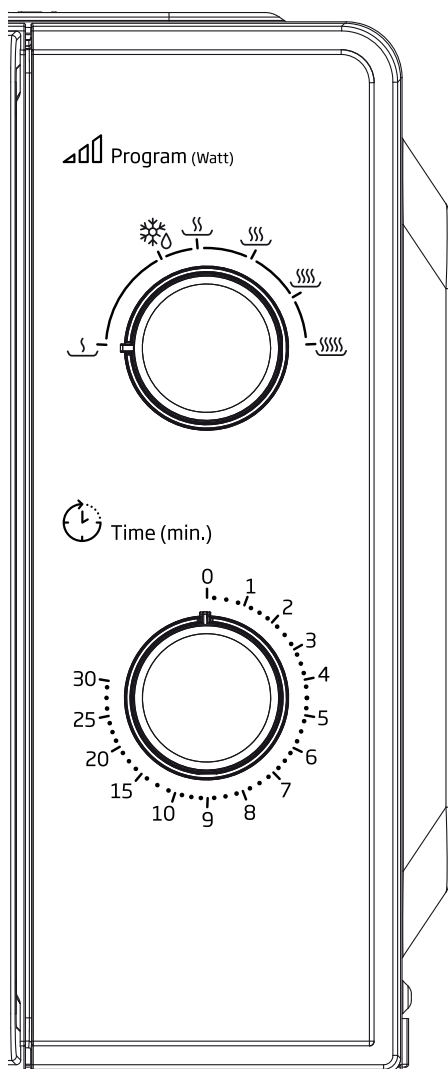
Kookgerei	Magnetron
Hittebestendig glas	Ja
Niet-hittebestendig glas	Nee
Hittebestendige keramiek	Ja
Magnetron – veilig plastic vaat	Ja
Keukenpapier	Ja
Metalen schotel	Nee
Metalen rek	Nee
Aluminiumfolie & foliecontainers	Nee

### 3.5 Gereedschapsgids

1. Microgolven kunnen geen metaal doordringen. Gebruik dus uitsluitend gereedschap dat geschikt is voor de magnetron. Metalen containers voor etenswaren en drank zijn niet toegelaten voor bereidingen in de magnetron. Deze vereiste is niet van toepassing als de producent de afmetingen en de vorm specificeert van metalen containers die geschikt zijn voor de magnetron.
2. Microgolven kunnen geen metaal doordringen. U mag dus geen metalen kookgerei of schotels gebruiken met een metalen rand.

## 4 Bediening

### 4.1 Bedieningspaneel



Het bedieningspaneel bestaat uit twee functie-operatoren. Een is een timer-knop en een andere is een Aan/Uit-knop.

#### Aan/Uit-knop

U gebruikt deze Aan/Uit-knop om een vermogensniveau te selecteren. Dit is de eerste stap om een bereiding te starten.

#### Timer-knop

Biedt visuele timing instellingen met een handige draai van uw duim om een gewenste bereidings-tijd in te stellen van maximaal 30 minuten per bereiding.

#### Bereidingen in de magnetron

Voor bereidingen in de magnetron zijn er zes vermogensniveaus waar u de meest geschikte uit kunt kiezen voor wat u wenst te doen.

Het vermogensniveau verhoogt wanneer u de knop rechtsonder draait. De vermogensniveaus kunnen als volgt worden geïnclassificeerd:

	Uitgangsvermogen	Beschrijving
1	100%	Hoog
2	88%	M. Hoog
3	73%	Gem.
4	52%	M. Laag
5	42%	Ontdooien
6	20%	Laag

### 4.2 Bediening

Een bereiding starten:

1. Plaats de etenswaren in de magnetron en sluit de deur.
2. Draai de Aan/Uit-knop (1) en selecteer het vermogensniveau.
3. Gebruik de timer-knop (2) om een bereidingstijd in te stellen.



Van zodra u aan de timer draait, wordt de magnetron ingeschakeld. Als u een tijdsduur van minder dan 2 minuten selecteert, draait u de timer voorbij 2 minuten en keer daarna terug naar de correcte tijdsduur.

## 4 Bediening



**OPGELET:** Draai de timer altijd terug naar de nulpositie wanneer u de etenswaren uit de magnetron verwijdert voor het einde van de ingestelde bereidingstijd of wanneer de magnetron niet wordt gebruikt. Om de magnetron te stoppen tijdens de bereiding drukt u op de ontgrendelingstoets van de deur of opent u de deur bij het handvat.

## 5 Reinigen en onderhoud

### 5.1 Reiniging



**WAARSCHUWING:** Gebruik nooit benzine, oplosmiddelen of schuurmiddelen, metalen voorwerpen of harde borstels om het apparaat schoon te maken.



**WAARSCHUWING:** Dompel het apparaat nooit in water of een andere vloeistof.

- Schakel het apparaat uit en trek de stekker uit het stopcontact.
- Laat het apparaat volledig afkoelen.
- Houd de binnenkant van de oven schoon. Veeg gespat voedsel of gemorste vloeistof die aan de wanden van de oven plakken af met een vochtige doek. Als de oven erg vuil wordt, kunt u een mild schoonmaakmiddel gebruiken. Voorkom het gebruik van sprays en andere bijtende schoonmaakmiddelen. Deze kunnen vlekken, sporen en matheid op het deuropervlak veroorzaken.
- De buitenkant van de oven moet worden gereinigd met een vochtige doek. Laat geen water in de ventilatieopeningen lopen om te voorkomen dat de werkende delen van de oven beschadigd raken.
- Veeg beide zijden van de deur en het glas, deurrubbers en delen dichtbij de rubbers regelmatig met een vochtige doek om de gemorste en gespatte vlekken te verwijderen. Gebruik geen schurende schoonmaakmiddelen.
- Er wordt geen stoomreiniger gebruikt.
- Laat het bedieningspaneel niet nat worden. Reinig met een vochtige, zachte doek. Laat de deur van de oven open om te voorkomen dat de oven per ongeluk in werking treedt tijdens het schoonmaken van het bedieningspaneel.
- Veeg eventueel ontstane stoom in en om de ovendeur af met een zachte doek. Dit kan voorkomen als de magnetron wordt gebruikt onder omstandigheden met een hoge luchtvochtigheid. Dit is normaal.
- In sommige gevallen moet u de glazen schaal verwijderen om deze te reinigen. Was de schaal met warm sop of in de vaatwasmachine.
- De rolring en bodem van de oven moeten regelmatig worden gereinigd om overmatig lawaai te voorkomen. Het is voldoende om de bodem van de oven te reinigen met een mild schoonmaakmiddel. De rolring kan worden gewassen met sop of in de vaatwasmachine. Als u de rolring uit de bodem van de oven verwijderd om deze te reinigen, zorg er dan voor dat u deze op de juiste positie terugplaatst.
- Voor verwijdering van slechte geuren in uw oven zet u een glas water met het sap en de schil van een citroen in een diepe magnetronbestendige schaal en laat u de oven gedurende 5 minuten op de magnetronstand werken. Veeg grondig af en droog dan met een zachte doek.
- Neem contact op met de erkende servicedienst als de ovenlamp vervangen dient te worden.
- De oven moet regelmatig worden gereinigd en enige voedselresten moeten worden verwijderd. Indien de oven niet schoon wordt gehouden kan dit defecten in het oppervlak veroorzaken die de levensduur van het apparaat negatief kunnen beïnvloeden en dat kan risico's met zich meebrengen.
- Gooi dit apparaat niet weg met het huishoudelijk afval; oude ovens moeten worden afgevoerd door speciale afvalcentra die door de gemeenten zijn aangesteld.
- Als de magnetron wordt gebruikt met de grillfunctie kan er een kleine hoeveelheid rook en geur ontstaan, die na kort gebruik zal verdwijnen.

## 5 Reinigen en onderhoud

### 5.2 Opslag

- Als u van plan bent het apparaat gedurende een lange periode niet te gebruiken, ruim het dan zorgvuldig op.
- Zorg ervoor dat het apparaat los is van het stopcontact, volledig is afgekoeld en compleet droog is.
- Bewaar het apparaat op een koele en droge plaats.
- Bewaar het apparaat buiten het bereik van kinderen.

### 5.3 Manuseio e transporte

- Durante o manuseamento e transporte, levar o aparelho na embalagem original. A embalagem do aparelho protege-o contra danos físicos.
- Não colocar cargas pesadas sobre o aparelho ou sobre a embalagem. O aparelho pode ficar danificado.
- Deixar cair o aparelho irá torná-lo inoperacional ou causar danos permanentes.

## 6 Probleemoplossing

Probleem	Mogelijke oplossing
Als de magnetron niet werkt.	Controleer of de stekker van het apparaat correct is ingevoerd. Zo niet, verwijder de stekker uit het stopcontact, wacht 10 seconden en steek de stekker opnieuw correct in het stopcontact.
	Controleer of een van de zekeringen is doorgebrand en of een stroomonderbreker is ingeschakeld. Als deze correct lijken te werken, moet u het stopcontact testen met een ander apparaat.
	Controleer om er zeker van te zijn dat het bedieningspaneel correct is geprogrammeerd en de timer is ingesteld.
	Controleer om er zeker van te zijn dat de deur stevig is gesloten en dat het veiligheidsslot van de deur wordt ingeschakeld. Zo niet zal de energie van de microgolven niet doordringen in de magnetron.
Als geen van de bovenstaande het probleem oplost, moet u contact opnemen met een gekwalificeerde elektromonteur. Probeer de magnetron nooit zelf te repareren.	

# Najskôr si prečítajte túto používateľskú príručku!




Vážený zákazník,

Ďakujeme vám, že ste si vybrali tento spotrebič značky Beko. Dúfame, že s týmto spotrebičom, ktorý bol vyrobený vo vysokej kvalite a s najmodernejšími technológiami, dosiahnete tie najlepšie výsledky. Z tohto dôvodu si pred použitím spotrebiča pozorne prečítajte celú túto používateľskú príručku a všetky ostatné sprievodné dokumenty a uschovajte ich pre prípad potreby do budúcnosti. Ak dáte spotrebič niekomu inému, dajte mu tiež používateľskú príručku. Postupujte podľa pokynov a venujte pozornosť všetkým informáciám a varovaniam v používateľskej príručke.

Pamätajte, že sa táto používateľská príručka môže vzťahovať aj na iné modely. Rozdiely medzi modelmi budú v príručke výslovne popísané.

## Význam symbolov

V rôznych častiach tejto používateľskej príručky sú použité nasledujúce symboly:

	Dôležité informácie o užitočných tipoch na použitie.
	Upozornenie na nebezpečné situácie týkajúce sa ohrozenia života a majetku.
	Upozornenie na horúce povrchy.
	Varovanie pred zásahom elektrickým prúdom.



**RECYKLOVANÝ A  
RECYKLOVATEĽNÝ  
PAPIER**

Tento spotrebič bol vyrobený v modernom závode šetrnom voči životnému prostrediu bez škodlivého dopadu na prírodu.

---

# 1 Dôležité bezpečnostné pokyny a pokyny týkajúce sa životného prostredia

## Dôležité bezpečnostné pokyny si pozorne prečítajte a uchovajte do budúcnosti

### 1.1 Bezpečnostné Upozornenia

Táto časť obsahuje bezpečnostné pokyny, ktoré vám pomôžu chrániť sa pred rizikom vzniku požiaru, vystaveniu sa uniknutej mikrovlnnej energii, fyzickým zraneniam alebo škodám na majetku. Nedodržanie týchto pokynov ruší záruku.

- Mikrovlnné rúry značky Beko sú v súlade s platnými bezpečnostnými štandardmi. V prípade akéhokoľvek poškodenia spotrebiča alebo napájacieho kábla je nevyhnutné ho dať opraviť predajcovi, servisnému stredisku alebo odborníkovi čo podobnému oprávnenému poskytovateľovi služieb, čím sa predíde akémukoľvek nebezpečenstvu. Chybná alebo neodborná oprava môže byť nebezpečná a pre používateľa predstavuje riziko.
- Toto zariadenie je určené pre použitie v domácnosti a v podobných podmienkach, ako sú napríklad:
  - Kuchynské miestnosti pre personál v obchodoch, kanceláriách a v iných pracovných

prostrediach;

- Farmové domy
- Pre hotelových hostí a iné typy obytných prostredí;
- V ubytovacích zariadeniach typu bed and breakfast;
- Nie je určená na priemyselné alebo laboratórne využitie.
- Nepokúšajte sa spustiť rúru, ak sú otvorené jej dverka; inak by ste mohli byť vystavení škodlivej mikrovlnnej energii. Bezpečnostné zámky neblokujte ani nepozmeňujte.
- Mikrovlnná rúra je určená na ohrev jedál a nápojov. Sušenie potravín alebo odevov a ohrev otepľovacích podložiek, papúč, špongií, vlhkej handričky a podobne môže viesť k riziku poranenia, vznietenia alebo požiaru.
- Medzi prednú stranu a dverka rúry nedávajte žiadne predmety. Dbajte na to, aby sa na uzatváracích plochách nemohli hromadiť zvyšky nečistôt alebo čistiacich prostriedkov.
- Všetky servisné práce spojené s odstránením krytu, ktorý poskytuje ochranu pred vystavením mikrovlnnej energii, musia vykonávať autorizované osoby / servis. Akýkoľvek iný prístup je nebezpečný.

# 1 Dôležité bezpečnostné pokyny a pokyny týkajúce sa životného prostredia

- Váš výrobok je určený na pečenie, ohrievanie a rozmrazovanie jedál doma. Nesmie sa používať na komerčné účely.
- Vaša rúra nie je navrhnutá na sušenie žiadnej živej bytosti.
- Nepoužívajte prístroj na sušenie odevov alebo kuchynských utierok.
- Nepoužívajte tento spotrebič vonku, v kúpeľni, vo vlhkom prostredí alebo na miestach, kde môže byť navlhčený.
- Za škody vzniknuté v dôsledku nesprávneho použitia alebo nesprávneho zaobchádzania so spotrebičom sa nepreberá zodpovednosť ani neposkytuje záruka.
- Prístroj nikdy svojpomocne nerozoberajte. Za škody spôsobené nesprávnou manipuláciou sa neakceptujú žiadne nároky na záruku.
- Používajte výlučne originálne diely alebo diely odporúčané výrobcom.
- Pokiaľ je spotrebič v prevádzke, ne nechávajte ho bez dozoru.
- Spotrebič vždy používajte na stabilnom, rovnom, čistom, suchom a nekĺzavom povrchu.
- Toto zariadenie nesmie byť prevádzkované s externým časovačom alebo so samostatným systémom diaľkového ovládania.
- Pred prvým použitím spotrebiča očistite všetky jeho časti. Prečítajte si podrobnosti v časti "Čistenie a údržba".
- Spotrebič používajte výlučne na účely opísané v tomto návode.
- Spotrebič sa počas prevádzky značne zahreje. Dbajte na to, aby ste sa nedotkli horúcich častí rúry.
- Nepoužívajte rúru prázdnu.
- Kuchynský riad sa môže zahriať v dôsledku tepla prenášaného z ohriateho jedla na riad. Možno budete potrebovať kuchynské rukavice.
- Skontrolujte nádoby, či sú vhodné na použitie v mikrovlnných rúrach.
- Neumiestňujte rúru na kachle alebo iné zariadenie generujúce teplo. V opačnom prípade by mohlo dôjsť k jeho poškodeniu a zrušeniu platnosti záruky.
- Po otvorení pokrmov alebo fólie po upečení jedla môže unikať para.
- Spotrebič a jeho prístupné povrchy môžu byť pri používaní veľmi horúce.
- Dvere a vonkajšie sklo môžu byť pri používaní prístroja veľmi horúce.
- Dbajte na to, aby vaša elektrická sieť vyhovovala údajom uvedeným na typovom štítku spotrebiča.



# 1 Dôležité bezpečnostné pokyny a pokyny týkajúce sa životného prostredia

- Jediným spôsobom, ako odpojiť spotrebič od zdroja napájania, je vytiahnuť sieťovú zástrčku zo zásuvky.
- Spotrebič používajte výlučne v uzemnenej zásuvke.
- Spotrebič nepoužívajte v prípade, ak je poškodený napájací kábel či samotný spotrebič.
- Nepoužívajte tento prístroj s predlžovacím káblom.
- Nikdy sa nedotýkajte prístroja alebo jeho zástrčky vlhkými alebo mokrymi rukami.
- Spotrebič umiestnite spôsobom, aby bola zásuvka vždy prístupná.
- Dávajte pozor, aby nedošlo k poškodeniu napájacieho kábla jeho stláčaním, ohýbaním či trením o ostré hrany. Napájací kábel uchovávajte mimo horúce povrchy a priamy oheň.
- Zaisťujte, aby nehrozilo, že by ste mohli náhodne potiahnuť napájací kábel alebo o neho niekto zakopnúť, keď je prístroj v prevádzke.
- Spotrebič pred každým čistením a v období nepoužívania odpojte.
- Neťahajte za napájací kábel prístroja, aby ste ho odpojili od zdroja napájania, a nikdy ho neobvívajte okolo prístroja.
- Neponárajte prístroj, napájací kábel alebo sieťovú zástrčku do vody alebo iných tekutín. Nedržte ho pod tečúcou vodou.
- Pri ohreve potravín v plastových alebo papierových nádobách, sledujte rúru vzhľadom k možnosti vznietenia.
- Pred vložením vreciek do rúry odstráňte drôtené šnúrky a / alebo kovové rúčky z papierových alebo plastových vreciek.
- Ak spozorujete dym, vypnite alebo odpojte prístroj zo zásuvky, ak je to bezpečné, a nechajte dvierka zatvorené, aby nedošlo k potlačeniu ohňa.
- Mikrovlnnú rúru nepoužívajte na skladovanie. Pokiaľ rúru nepoužívate, nenechávajte v nej papierové predmety, kuchynský materiál ani potraviny.
- Obsah dojčenských fliaš a nádob s detským jedlom premiešajte alebo pretrepte a pred spotrebou skontrolujte ich teplotu, aby nedošlo k popáleniu.
- Toto zariadenie je zariadenie Skupiny 2 triedy B ISM. Skupina 2 obsahuje všetky zariadenia ISM (priemyselné, vedecké a lekárske), v ktorých sa zámerne generuje a/

# 1 Dôležité bezpečnostné pokyny a pokyny týkajúce sa životného prostredia

alebo používa rádiový frekvenčný výkon alebo sa používa vo forme elektromagnetického žiarenia na spracovanie materiálu, a zariadenie na eróziu iskier.

- Zariadenie triedy B je vhodné na použitie v domácich zariadeniach a zariadeniach priamo pripojených k nízkonapäťovej napájacej sieti.
- V rúre nepoužívajte kuchynský olej. Horúci olej môže poškodiť komponenty a materiály rúry a môže dokonca spôsobiť popáleniny.
- Prepichnete jedlo s hustou kôrkou, ako sú zemiaky, cukety, jablká a gaštany.
- Spotrebič musí byť umiestnený tak, aby jeho zadná strana smerovala k stene.
- Pred premiestnením prístroja zaistite otočný tanier, aby nedošlo k jeho poškodeniu.
- V mikrovlnnej rúre nezohrievajte vajcia v škrupine a celé natvrdo upečené vajcia, pretože môžu explodovať, a to aj po skončení mikrovlnného ohrevu.

**VÝSTRAHA:** Ak sú dvierka alebo tesnenie dvierok poškodené, nepoužívajte rúru, kým nebude opravená kvalifikovanou osobou.

**VÝSTRAHA:** Pre iné, ako kompetentné osoby je nebezpečné vykonávať akúkoľvek údržbu alebo opravy, ktoré zahŕňajú odstránenie krytu, ktorý poskytuje ochranu pred vystavením mikrovlnnej energii.

**VÝSTRAHA:** Tekutiny a iné potraviny sa nesmú ohrievať v uzavretých nádobách, pretože sú náchylné na explóziu.

- Rúru pravidelne čistite a odstraňujte akékoľvek zvyšky jedla.
- Nad horným povrchom rúry by mal byť voľný priestor minimálne 20 cm.
- Potraviny príliš neprevarujte; inak môžete spôsobiť požiar.
- Na čistenie prístroja nepoužívajte chemikálie a parné čističe.
- Pri používaní v blízkosti detí a osôb s obmedzenými fyzickými, zmyslovými alebo duševnými schopnosťami sa vyžaduje mimoriadna opatrnosť.
- Toto zariadenie môžu používať deti vo veku 8 rokov a viac a osoby s obmedzenými fyzickými, zmyslovými alebo mentálnymi schopnosťami alebo osoby, ktoré nemajú vedomosti a skúsenosti, pokiaľ sú pod dozorom ohľadom bezpečného používania. výrobku alebo sú primerane poučení alebo rozumejú

# 1 Dôležité bezpečnostné pokyny a pokyny týkajúce sa životného prostredia

rizikám používania výrobku. S týmto spotrebičom sa nesmú hrať deti. Čistenie a údržbu zariadenia by nemali vykonávať deti, pokiaľ nie sú kontrolované staršími.

- **Nebezpečenstvo udusení!** Všetky obalové materiály uchovávajújte mimo dosahu detí.
- Kvôli nadmernému teplu, ktoré vzniká v grilovacích a kombinovaných režimoch, deťom dovoľte používať tieto režimy iba pod dohľadom dospelšej osoby.
- Udržujte produkt a jeho napájací kábel tak, aby k nim nemali prístup deti do 8 rokov.
- Nevarte jedlo priamo na sklennom podnose. Pred vložením do rúry vložte jedlo do/na príslušné kuchynské náradie.
- Počas mikrovlnného pečenia nie sú povolené kovové nádoby na jedlo a nápoje. V opačnom prípade môže dôjsť k iskreniu.
- Tento produkt nie je navrhnutý na zabudovanie. Pokiaľ je výrobok v prevádzke, neumiestňujte ho do skrinky alebo škatule.

## 1.2 Súlad so smernicou OEEZ a Odstránenie odpadov výrobku:

Tento výrobok spĺňa požiadavky smernice WEEE EU (2012/19/EU). Tento výrobok nesie symbol klasifikácie pre odpad z elektrických a elektronických zariadení (WEEE).



Tento symbol znamená, že na konci svojej životnosti sa tento výrobok nesmie likvidovať spolu s ostatným domovým odpadom. Použitú zariadenie sa musí odniesť na oficiálne zberné miesto na recykláciu elektrických a elektronických zariadení. Ak chcete nájsť tieto miesta zberu, obráťte sa na miestne úrady alebo na predajcu, u ktorého bol produkt zakúpený. Každá domácnosť plní dôležitú úlohu pri zhodnocovaní a recyklácii starých zariadení. Správna likvidácia použitého spotrebiča pomáha predchádzať možným negatívnym následkom pre životné prostredie a ľudské zdravie.

## 1.3 Súlad so smernicou RoHS

Vami zakúpený produkt spĺňa požiadavky smernice RoHS EÚ (2011/65/EÚ). Neobsahuje škodlivé a zakázané látky uvedené v smernici.

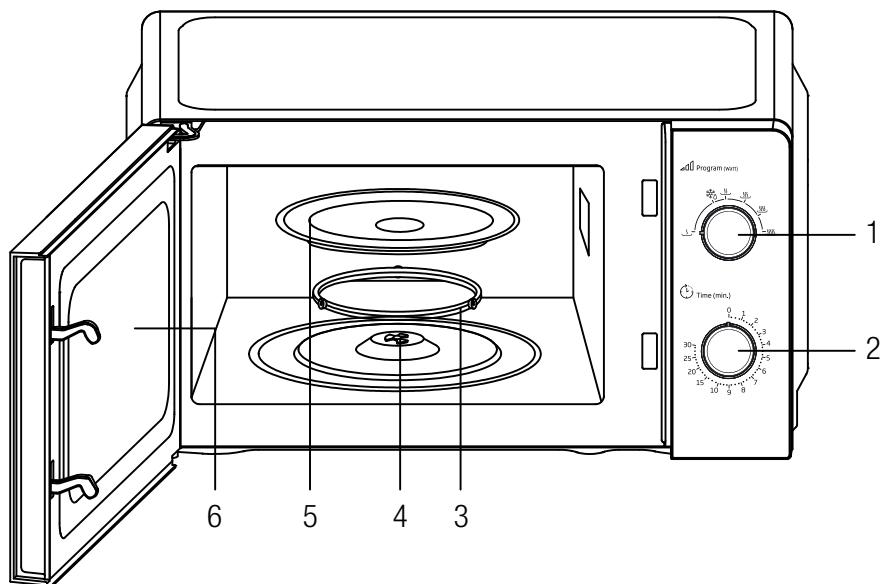
## 1.4 Informácie o balení.



Obalové materiály výrobku sú vyrobené z recyklovateľných materiálov v súlade s našimi národnými predpismi o životnom prostredí. Nevyhadzujte obalové materiály spolu s domácimi alebo inými odpadmi. Vezmite ich do zberných miest pre obalové materiály určené miestnymi orgánmi.

## 2 Vaša mikrovlnná rúra

### 2.1 Prehľad



### Ovládacie prvky a časti

1. Tlačidlo zapnutia
2. Gombík časovača
3. Valčekový krúžok
4. Hriadel'
5. Sklenený plech
6. Okienko rúry

### 2.2 Technické údaje

<b>Menovité napätie</b>	230-240V~,50Hz
<b>Menovitý príkon</b>	1100W (mikrovlna)
<b>Menovitý výkon</b>	700W
<b>Mikrovlnná frekvencia</b>	2450MHz
<b>Úroveň mikrovlnného výkonu</b>	6
<b>Vonkajšie rozmery (V * Š * H) mm</b>	243*446*340 mm
<b>Sklenený otočný tanier</b>	245 mm
<b>Kapacita rúry</b>	20 L
<b>Netto hmotnosť</b>	10 kg
<b>Color (Farba)</b>	Biela / čierna / strieborná

Technické práva a práva na zmeny dizajnu sú vyhradené.

Značky na prístroji alebo hodnoty uvedené v iných dokumentoch dodávaných s výrobkom sú hodnotami získanými za laboratórnych podmienok podľa príslušných noriem. Tieto hodnoty sa môžu líšiť v závislosti od používania prístroja a okolitých podmienok.

## 3 Inštalácia a zapojenie

### 3.1 Inštalácia

1. Uistite sa, že sú z vnútornej strany dvierok odstránené všetky obalové materiály.



**UPOZORNENIE:** Skontrolujte, či rúra nie je poškodená, ako napríklad či nie sú nesprávne nastavené alebo ohnuté dvierka, poškodené tesnenia dvierok a tesniaci povrch, zlomené alebo uvoľnené pánty dvierok a západky a preliačiny vo vnútri dutiny alebo na dvierkach. Ak je akokoľvek poškodená, rúru neprevádzkujte a obráťte sa na kvalifikovaný servisný personál.

2. Táto mikrovlnná rúra musí byť umiestnená na rovnom a stabilnom povrchu, aby udržala jej váhu a najťažšie jedlo, ktoré sa v rúre pravdepodobne uvarí.
3. Rúru neumiestňujte na miesta, kde sa vytvára teplo, vlhkosť alebo vysoká vlhkosť, ani do blízkosti horľavých materiálov.
4. Pre správnu funkciu musí mať rúra dostatočné prúdenie vzduchu. Ponechajte 20 cm priestoru nad rúrou, 10 cm vzadu a 5 cm na oboch stranách. Nezakrývajte ani neblokujte žiadne otvory na spotrebiči. Neodstraňujte nohy.
5. Rúru neprevádzkujte bez skleneného taniera, valčekového krúžku a hriadeľa v ich správnej polohe.
6. Uistite sa, že napájací kábel nie je poškodený a nevedie pod rúrou ani po horúcom alebo ostrom povrchu.
7. Zásuvka musí byť ľahko prístupná, aby sa dala v prípade núdze ľahko odpojiť.
8. Rúru nepoužívajte vonku.

### 3.2 Rádiové rušenie

Prevádzka mikrovlnnej rúry môže spôsobiť rušenie vášho rádia, TV alebo podobného zariadenia.

Ak dôjde k rušeniu, možno ho znížiť alebo odstrániť vykonaním nasledujúcich opatrení:

1. Vyčistite dvierka a tesniaci povrch rúry.

2. Zmeňte orientáciu prijímačej antény rádia alebo televízie.
3. Premiestnite mikrovlnnú rúru vzhľadom na prijímač.
4. Presuňte mikrovlnnú rúru ďalej od prijímača.
5. Zapojte mikrovlnnú rúru do inej zásuvky tak, aby mikrovlnná rúra a prijímač boli v rôznych vetvách obvodov.

Vodiče v tomto káblovom rozvode sú zafarbené v súlade s nasledujúcim kódom:

**Zelenýžltý = OCHRANNÝ**

**Modrý = STREDNÝ**

**Hnedý = FÁZOVÝ**

### 3.3 Zásady pečenia v mikrovlnnej rúre

1. Pripravujte jedlo opatrne. Zvyšné časti položte na vonkajšiu stranu misky.
2. Venujte pozornosť času pečenia. Pečte v čo najkratšom čase a podľa potreby pridajte čas. Prepečené jedlo môže spôsobiť dym alebo sa spáliť.
3. Počas varenia jedlo zakryte. Zakrytie pokrmu zabráni vystrieknutiu a zabezpečí rovnomerné uvarenie pokrmu.
4. Počas varenia v mikrovlnnej rúre obráťte jedlo ako hydina a hamburgery, pre urýchlenie pečenia tohto druhu jedla. Väčšie jedlo, ako napr. pečienka, musíte aspoň raz obrátiť.
5. V polovici pečenia jedlo, ako napríklad fašírky, otočte a vymeňte ich navzájom od stredu misky smerom von.

### 3.4 Pokyny pre uzemnenie

Tento spotrebič musí byť uzemnený. Táto rúra má uzemňovací kábel s uzemnenou zástrčkou. Spotrebič musí byť zapojený do sieťovej zásuvky, musí byť nainštalovaný a správne uzemnený. Uzemňovací systém umožňuje v prípade skratu odvedenie elektrického prúdu a znižuje riziko úrazu elektrickým prúdom. Odporúčame použiť elektrický obvod určený pre rúru. Prevádzka pod

## 3 Inštalácia a zapojenie

vysokým napätím je nebezpečná a môže spôsobiť požiar alebo iné nehody, ktoré by mohli spôsobiť poškodenie rúry.



**VAROVANIE:** Nesprávne použitie uzemňovacej zástrčky môže spôsobiť elektrický šok.



Ak máte akékoľvek otázky týkajúce sa uzemnenia a elektrických pokynov, obráťte sa na kvalifikovaného elektrotechnika alebo servisný personál.



Výrobca a/alebo predajca nepreberajú žiadnu zodpovednosť za zranenia alebo škody na rúre, ktoré môžu vzniknúť pri nedodržaní postupov elektrického pripojenia.

Nižšie uvedený zoznam je všeobecným sprievodcom, ktorý vám pomôže vybrať správny riad.

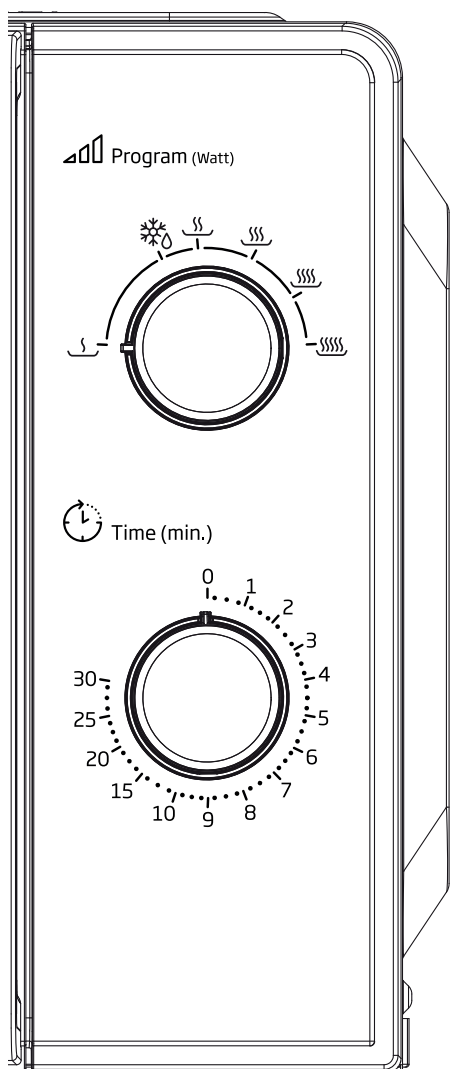
Kuchynský riad	Mikrovlnná rúra
Tepelne odolné sklo	Áno
Tepelne neodolné sklo	Nie
Tepelne odolná keramika	Áno
Plastová nádoba vhodná do mikrovlnnej rúry	Áno
Kuchynský papier	Áno
Kovový podnos	Nie
Kovový stojan	Nie
Hliníková fólia a fóliové kontajnery	Nie

### 3.5 Sprievodca riadom

1. Mikrovlnná rúra nemôže preniknúť do kovu. Používajte iba riad, ktorý je vhodný na použitie v mikrovlnných rúrach. Počas mikrovlnného pečenia nie sú povolené kovové nádoby na jedlo a nápoje. Táto požiadavka neplatí, ak výrobca špecifikuje veľkosť a tvar kovových nádob vhodných na varenie v mikrovlnnej rúre.
2. Mikrovlny nemôžu preniknúť do kovu, preto nesmiete používať kovové náčinie alebo riad s kovovým lemom.
3. Pri mikrovlnnom varení nepoužívajte výrobky z recyklovaného papiera, pretože môžu obsahovať malé kovové úlomky, ktoré môžu spôsobiť iskrenie a/alebo požiar.
4. Odporúčame skôr okrúhle/oválne riady ako štvorcové/podlhovasté, pretože jedlo v rohoch má tendenciu sa pripekať.
5. Na zabránenie prepečeniu exponovaných oblastí môžete použiť úzke pásiky hliníkovej fólie. Ale buďte opatrní, nepoužívajte príliš veľa a dodržujte vzdialenosť 1 palca (2,54 cm) medzi fóliou a dutinou.

## 4 Prevádzka

### 4.1 Ovládací panel



Ovládací panel pozostáva z dvoch funkčných operátorov. Jeden je gombík časovača a druhý gombík napájania.

#### Tlačidlo napájania

Pomocou tohto ovládacieho gombíka zvolíte úroveň výkonu varenia. Je to prvý krok k spusteniu varenia.

#### Gombík časovača

Ponúka vizuálne nastavenia časovania jednoduchým otočením palca na výber požadovaného času varenia až do 30 minút na jednu dobu varenia.

#### Mikrovlnné varenie

Pre čisto mikrovlnné varenie je k dispozícii šesť úrovní výkonu, z ktorých si môžete vybrať tú, ktorá najlepšie vyhovuje danej úlohe.

Úroveň výkonu sa zvyšuje otáčaním gombíka v smere hodinových ručičiek. Úrovně výkonu možno klasifikovať takto:

	Výstupný výkon	Popis
1	100%	Vysoký
2	88%	Stredne vysoký
3	73%	Stredný
4	52%	Stredne nízky
5	42%	Rozmrazovanie
6	20%	Nízky

### 4.2 Prevádzka

Pre začatie varenia,

1. Vložte jedlo do rúry a zatvorte dverka.
2. Otáčaním ovládacieho gombíka (1) vyberte úroveň výkonu.
3. Pomocou gombíka časovača (2) nastavte čas varenia



Hneď ako otočíte časovač, rúra začne piecť. Ak zvolíte čas kratší ako 2 minúty, otočte časovač za 2 minúty a potom sa vráťte na správny čas.



**VÝSTRAHA:** Vždy vráťte časovač späť do nulovej polohy, ak jedlo vyberiete z rúry pred dokončením nastaveného času varenia alebo keď rúru nepoužívate. Ak chcete zastaviť rúru počas procesu varenia, stlačte tlačidlo na uvoľnenie dveriek alebo otvorte dverka pomocou rukoväte.

## 5 Čistenie a údržba

### 5.1 Čistenie a údržba



**VAROVANIE:** Na čistenie spotrebiča nikdy nepoužívajte benzín, rozpúšťadlo, abrazívne čistiaci prostriedok, kovové objekty alebo tvrdé kefy.



**VAROVANIE:** Spotrebič alebo jeho napájací kábel nikdy neponárajte do vody alebo inej kvapaliny.

1. Vypnite spotrebič a odpojte napájací kábel zo zásuvky.
2. Počkajte kým spotrebič úplne nevychladne.
3. Vnútrotnú časť rúry udržiajte čistú. V prípade, že na stenách rúry zostali zvyšky jedla alebo rozliatej kvapaliny, utrite ich handričkou. Ak sa rúra veľa znečistí, možno použiť jemný čistiaci prostriedok. Vyhnite sa použitiu sprejov a ďalších čistiacich látok, pretože môžu zanechať škvrny, značky a poničiť povrch dverí.
4. Vonkajšie povrchy rúry musia byť vyčistené handričkou. Nedovoľte, aby sa voda dostala do vetracích otvorov, aby ste tak predišli poškodeniu prevádzkových častí v rúre.
5. Obe strany dverí a sklo, tesnenia dverí a časti v blízkosti tesnení často utierajte handričkou, aby ste odstránili škvrny spôsobené rozstriednutím. Nepoužívajte abrazívne čistiace prípravky.
6. Nepoužíva sa parný čistič.
7. Nedovoľte, aby bol ovládací panel vlhký. Vyčistite mäkkou handričkou. Dvere rúry nechajte otvorené, aby ste počas čistenia ovládacieho panela predišli nežiaducemu spusteniu.
8. Ak sa vo vnútri rúry alebo v jej okolí nahromadí para, utrite ju mäkkou handričkou. K tomu môže dôjsť, ak je mikrovlnná rúra prevádzkovaná vo vysoko vlhkých podmienkach. To je normálne.
9. V niektorých prípadoch musíte pri čistení vybrať sklenený tanier. Sklenený tanier umyte v teplej vode alebo v umývačke.

10. Valec a rúru treba čistiť pravidelne, aby sa predišlo nadmernej hlučnosti. Spodnú časť rúry stačí utrieť handričkou s jemným čistiacim prípravkom. Krúžok možno umyť v teplej vode alebo v umývačke. Keď krúžok vyberiete zo spodnej časti, pri jeho vrátení skontrolujte, že ste ho nainštalovali správnym smerom.
11. Aby ste odstránili zlý zápach z rúry, vložte do mikrovlnnej rúry misku s vodou a citrónovou šťavou a kôrou a rúru spustíte na 5 minút v mikrovlnnom režime. Dôkladne utrite a vysušte mäkkou handričkou.
12. V prípade, že je potrebné vykonať výmenu žiarovky v rúre, kontaktujte autorizovaný servis, prosím.
13. Rúra musí byť pravidelne čistená a akékoľvek zvyšky potravín musia byť odstránené. Ak nie je rúra udržiavaná čistá, môže to spôsobiť povrchové defekty, ktoré by mohli negatívne ovplyvniť životnosť spotrebiča to by mohlo spôsobiť nebezpečenstvo.
14. Tento spotrebič nelikvidujte spoločne s domácim odpadom; staré rúry musia byť zlikvidované v špeciálnych centrách prevádzkovaných mestskými úradmi.
15. Keď sa používa funkcia grilu, môže sa objaviť malé množstvo dymu a zápachu, čo po určitej dobe používania zmizne.

### 5.2 Skladovanie

- Ak nechcete spotrebič dlhšiu dobu používať, dôkladne ho uskladnite.
- Skontrolujte, či je spotrebič odpojený, vychladnutý a úplne suchý.
- Spotrebič skladujte na suchom, chladnom mieste.
- Spotrebič skladujte mimo dosahu detí.



## 5 Čistenie a údržba

### 5.3 Zaobchádzanie a preprava

- Počas manipulácie a prepravy majte prístroj v pôvodnom obale. Balenie spotrebiča ho chráni pred fyzickým poškodením.
- Na zariadenie ani na obal nekladte ťažké bremená. Prístroj sa môže poškodiť.
- Pád prístroja môže spôsobiť jeho nefunkčnosť alebo trvalé poškodenie.

## 6 Odstraňovanie problémov

Problém	Možné riešenie
Ak rúra nefunguje	Skontrolujte, či je rúra bezpečne zapojená. Ak nie je, vyťahnite zástrčku zo zásuvky, počkajte 10 sekúnd a znova ju bezpečne zapojte.
	Skontrolujte, či nie je spálená poistka obvodu alebo vypnutý hlavný istič. Ak sa zdá, že fungujú správne, otestujte zásuvku pomocou iného zariadenia.
	Skontrolujte, či je ovládací panel správne naprogramovaný a či je nastavený časovač.
	Skontrolujte, či sú dvierka bezpečne zatvorené pomocou bezpečnostného zámkového systému dvierok. V opačnom prípade mikrovlnná energia nebude prúdiť do rúry.
Ak nič z vyššie uvedeného nenapraví situáciu, kontaktujte kvalifikovaného technika. Nepokúšajte sa sami upravovať alebo opravovať rúru.	

# ZÁKAZNÍCKE CENTRUM BEKO

BEKO Slovakia s.r.o., Suché mýto 1, 811 03 Bratislava

Denne od 8:00 do 18:00

Pomôže vyriešiť záručné, prípadne pozáručné opravy výrobkov BEKO

Kontakt	<b>0800 171 250</b>
e-mail	<b><a href="mailto:zakaznickecentrumsk@bekosa.cz">zakaznickecentrumsk@bekosa.cz</a></b>
Objednávka opravy spotrebiča on-line	<a href="http://www.bekosk.sk">www.bekosk.sk</a>
ZÁRUKA 5 ROKOV – podmienky a registrácie on-line	<a href="http://www.bekosk.sk">www.bekosk.sk</a>

## ZÁRUČNÉ PODMIENKY SR

a) Platný a čitateľný predajný doklad, ktorý obsahuje dátum predaja, model spotrebiča a označenie predajcu oprávňuje užívateľa využiť záruku na výrobok v súlade s ustanoveniami zák. č. 40/1964 Zb. Občianskeho zákonníka, v platnom znení.

b) Ak nie je stanovené inak, je záručná doba na výrobok 24 mesiacov. Začína plynúť odo dňa prevzatia veci kupujúcim okrem prípadu, kedy je nutné uvedenie do prevádzky oprávnenou firmou. V takomto prípade začne záručná doba plynúť odo dňa uvedenia výrobku do prevádzky.

Výrobky, ktoré vyžadujú odbornú montáž/pripojenie: plynové a kombinované sporáky a varné panely, ďalej všetky spotrebiče, ktoré nie sú vybavené prívodným elektrickým káblom zakončeným vidlicou. Zapojenie spotrebiča je službou hradenou zákazníkom. Dovoza nezodpovedá za poškodenie vzniknuté chybnou inštaláciou a chybným zapojením výrobku.

c) Záruka vyplývajúca z týchto záručných podmienok môže byť uplatnená iba na území Slovenskej republiky a týka sa len a výhradne spotrebičov dovezených do SR prostredníctvom našej spoločnosti, BEKO Slovakia s.r.o., Suché mýto 1, 811 03 Bratislava, ktorá je oficiálnym zastúpením značky BEKO pre Slovenskú republiku.

d) Záruka je poskytovaná kupujúcemu (konečnému spotrebiteľovi) v súlade so zákonom č. 634/1992 Zb., o ochrane spotrebiteľa v platnom znení, na výrobok slúžiaci bežnému používaniu v domácnosti. Výrobok nie je určený k priemyslovému používaniu a poskytovaniu služieb. Spotrebiče, ktoré nie sú používané v domácnosti, nie sú predmetom záruky (hotelové a reštauračné zariadenia, školské zariadenia, upratovacie firmy, atď...)

e) Práva za zodpovednosť za závady výrobku sa uplatňujú u predávajúceho. Záručná oprava sa vzťahuje výhradne na závady, ktoré vzniknú v dobe platnosti záručnej lehoty a to výrobnou vadou. Takto vzniknuté závady je oprávnený odstrániť iba autorizovaný servis.

O odstránení závad výrobku v záručnej lehote je kupujúci oprávnený požiadať predajcu alebo **Zákaznícke centrum BEKO tel: 0800 171 250** [http://www.towdy.sk/beko/index.php?option=com\\_rsform&Itemid=3](http://www.towdy.sk/beko/index.php?option=com_rsform&Itemid=3).

f) Zákazník musí pri objednaní opravy nahlásiť dátum predaja, model spotrebiča, výrobné a produktové číslo, ktoré sa nachádza na výrobnom štítku každého spotrebiča. Bez nahlásenia týchto údajov nebude môcť byť požiadavka zákazníka na bezplatnú opravu vyriešená. Zákazník je ďalej povinný poskytnúť autorizovanému servisu súčinnosť potrebnú k overeniu existencie prípadne odstránenie reklamovanej závady.

g) Pri návšteve servisného technika kupujúci preukáže existenciu záruky predložením čitateľného predajného dokladu alebo certifikátu 5 rokov záruky BEKO. Po vykonaní záručnej opravy sú autorizované servisné strediská alebo predávajúci povinní vydať kupujúcemu čitateľnú kópiu opravného listu alebo doklad o uplatnení práva záruky a dobe trvania opravy. Po dobu záruky je kupujúci si povinný uschovávať všetky doklady súvisiace s kúpou a servisom výrobku. Opravný list slúži k preukazovaniu práv kupujúceho, preto je vo vlastnom záujme kupujúceho si skontrolovať pred podpisom všetky údaje. Záručná lehota sa v prípadoch, kedy závrada znemožnila používanie výrobku, predlžuje o dobu, kedy kupujúci uplatnil nárok na záručnú opravu u autorizovaného strediska až do dňa prevzatia opraveného výrobku.

h) Výrobok musí byť inštalovaný a používaný podľa návodu k obsluhu a platných noriem. Funkcia chladničiek, mrazničiek a iných kombinácií je zaručená pri teplote okolia od +10°C do +32°C.

i) Touto zárukou nie sú dotknuté práva kupujúceho, ktoré sa ku kúpe veci viažu podľa zvláštnych právnych predpisov.

j) Spoločnosť BEKO Slovakia s.r.o., Suché mýto 1, 811 03 Bratislava ponúka spotrebiteľom na vybrané modely **predlžené záruku v celkovej dĺžke trvania 5 rokov**. Predmetom tejto nadštandardnej záruky je bezplatné odstraňovanie výrobných závad po dobu nasledujúcich 36 mesiacov od skončenia zákonnej dvojročnej záručnej lehoty.

Podmienkou získania certifikátu predlženej záruky je splnenie všetkých podmienok uvedených na [www.bekosk.sk](http://www.bekosk.sk).

O odstránení závad výrobku v predlženej záručnej lehote je kupujúci oprávnený požiadať **Zákaznícke centrum BEKO tel: 0800 171 250** [http://www.towdy.sk/beko/index.php?option=com\\_rsform&Itemid=3](http://www.towdy.sk/beko/index.php?option=com_rsform&Itemid=3).

Pri opravě v rámci predlženej záruky je užívateľ povinný autorizovanému servisu predložiť platný certifikát predlženej záruky a predajný doklad.

V dobe trvania predlženej záruky bude oprávnená reklamácia riešená opravou alebo dodaním náhradného dielu. V prípade neodstrániteľnej závady zaistiť dovozca priamo u zákazníka výmenu výrobku za nový. Nárok na výmenu uplatňuje zákazník po zaslaní všetkých potrebných dokladov /platný certifikát, doklad o zakúpení, vyjadrenie servisného technika/ na e-mail: [reklamacie.beko@bekosa.cz](mailto:reklamacie.beko@bekosa.cz) alebo poštou na adresu **BEKO s.r.o., Továrnská 532, 905 01 Senica**. Spotrebiteľ nemá právo v priebehu predlženej záruky na vrátenie kúpnej čiastky. Uplatnenie práva na bezplatné odstraňovanie výrobných závad podlieha týmto uvedeným všeobecným záručným podmienkam.

#### **Právo na uplatnenie záruky zaniká ak:**

- nie je výrobok používaný v súlade s návodom
- došlo k mechanickému poškodeniu výrobku cudzím zavinením, pri nesprávnej údržbe alebo iným zanedbaním starostlivosti o výrobok
- bol na výrobku urobený neodborný zásah neoprávnenou osobou
- plynové spotrebiče alebo spotrebiče s napájaním 400V neboli uvedené do prevádzky odbornou firmou
- došlo k mechanickému poškodeniu pri preprave
- je závrada spôsobená vonkajšími podmienkami, ako sú napr. poruchy v elektrickej sieti alebo vadná bytová inštalácia, nevhodnými prevádzkovými podmienkami, poškodenie živlom
- je výrobok vadný z dôvodu použitia neoriginálneho príslušenstva a náhradných dielov
- kuchynská linka, do ktorej je výrobok zabudovaný, nespĺňa technické parametre
- záruka sa ďalej nevzťahuje na preventívnu údržbu popísanú v návode k obsluhu, poprípade závady spôsobené nevhodnou manipuláciou, na opotrebenie vzniknuté bežným používaním, mechanické poškodenie sklenených a plastových komponentov
- záruka sa nevzťahuje na návštevu technika za účelom poradenstva, preventívna kontrola stavu spotrebiča, výmena náhradného dielu, ktorý nevyžaduje odborný zásah, výmena smeru otvárania dverí chladničky

# Pirmiausia perskaitykite šią naudojimo instrukciją!

Brangus kliente,

Dėkojame, kad pasirinkote šį "Beko" prietaisą. Tikimės, kad šiuo prietaisu, kuris buvo pagamintas naudojant aukščiausios kokybės moderniausią technologiją, liksite patenkinti. Dėl to, prieš pradėdami naudoti šį prietaisą, perskaitykite visą šią naudojimo instrukciją bei prie jos pridėjusius dokumentus ir juos pasilikite, jei prireiktų ateityje. Jeigu atiduotumėte šį prietaisą kam nors kitam, kartu atiduokite ir šią naudojimo instrukciją. Laikykitės naudojimo instrukcijoje pateiktų nurodymų, atkreipkite dėmesį į visą informaciją ir įspėjimus.

Atkreipkite dėmesį, kad ši naudojimo instrukcija gali būti taikoma ir kitiems modeliams. Modelių skirtumai yra aiškiai aprašyti šioje instrukcijoje.

## Ženklių reikšmės

Įvairiuose šios naudojimo instrukcijos skyriuose naudojami šie simboliai:

	Svarbi informacija ir naudingi patarimai, kaip naudoti prietaisą.
	Įspėjimai apie pavojingas situacijas, keliančias pavojų gyvybei ir gadinančias turtą.
	Įspėjimas dėl įkaitusių paviršių.
	Įspėjimas dėl elektros smūgio.



Šis prietaisas pagamintas moderniose ekologiškose gamyklose, nedarant žalos gamtai.

# 1 Svarbios saugos ir aplinkos apsaugos taisyklės

Šiame skyriuje pateikiama saugos informacija, kuri padės išvengti gaisro, elektros smūgio, mikrobangų krosnelės spinduliuojamos energijos poveikio pavojaus, susižeidimų ar materialinės žalos. Jeigu nesivadovausite šiais nurodymais, suteikta garantija nebegalios.

## 1.1 Bendrieji saugos reikalavimai

- “Beko” mikrobangų krosnelė atitinka galiojančius saugos standartus, todėl, jeigu prietaisas arba jo maitinimo laidas būtų pažeistas, jį privalo paleisti platintojas, aptarnavimo centras ar specialistas arba bet kuris kitas įgaliotasis atstovas, kad būtų išvengta bet kokių pavojų. Klaidingi arba netinkami remonto darbai gali kelti pavojų ir riziką vartotojui.
- Nemėginkite įjungti krosnelės, kai jos durelės yra atidarytos, nes jus gali paveikti mikrobangų krosnelės spinduliuojama energija. Neišjunkite ir nemodifikuokite saugos užraktų.
- Nepalikite jokių objektų tarp krosnelės priekinės dalies ir durelių. Pasirūpinkite, kad ant krosnelės vidaus paviršių nesikaupytų nešvarumai arba valymo priemonių likučiai.
- Bet kokius remonto darbus, kurių metu reikia nuimti dangtį, apsaugantį nuo mikrobangų krosnelės spinduliuojamos energijos, turi atlikti įgaliotieji asmenys (tarnybos). Bet koks kitoks taisymas yra pavojingas.
- Jūsų gaminys yra skirtas gaminti, pašildyti ar atšildyti maistą namuose. Jo negalima naudoti komerciniams tikslams. Gamintojas nėra atsakingas už nuostolius, patirtus netinkamai naudojant gaminį.
- Nenaudokite šio prietaiso lauke, vonioje, drėgnose patalpose ar vietose, kur gali pasidaryti šlapia.
- Gamintojas neprisiima atsakomybės, ir garantinės pretenzijos dėl patirtos žalos negalioja, jei prietaisas buvo naudojamas ar prižiūrimas netinkamai.
- Niekada nebandykite ardyti prietaiso patys. Garantinės pretenzijos dėl patirtos žalos negalioja, jeigu prietaisas naudojamas netinkamai.

# 1 Svarbios saugos ir aplinkos apsaugos taisyklės

- Naudokite tik originalias arba gamintojo rekomenduojamas dalis.
- Nepalikite naudojamo prietaiso be priežiūros.
- Prietaisą visada statykite ant tvirto, lygaus, švaraus, sauso ir neslidaus paviršiaus.
- Nenaudokite šio prietaiso su išoriniu laikmačiu arba atskira nuotolinio valdymo sistema.
- Prieš naudodami prietaisą pirmą kartą, nuvalykite visas dalis. Žr. skyrių „Valymas ir priežiūra».
- Prietaisą naudokite tik pagal paskirtį, aprašytą šiose naudojimo instrukcijose. Nenaudokite šveičiamųjų chemikalų ar garų šiam prietaisui valyti. Ši krosnelė yra skirta tik maistui šildyti ir gaminti. Ji nėra skirta naudoti pramoniniais tikslais ar laboratorijose.
- Šio prietaiso nenaudokite rūbams ar virtuvės rankšluosčiams džiovinti.
- Veikdamas prietaisas labai įkaista. Būkite atidūs ir nelieskite įkaitusių krosnelės dalių, esančių jos viduje.
- Jūsų krosnelė nėra skirta jokiai gyvai būtybei džiovinti.
- Nejunkite krosnelės, kai ji tuščia.
- Virtuvės reikmenys gali labai įkaisti dėl karščio perduodamo iš šildomo maisto į virtuvės reikmenis. Norint paimti virtuvės reikmenis į rankas, gali prireikti pirštinių.
- Prieš naudodami virtuvės reikmenis mikrobangų krosnelėje, patikrinkite, ar jie tam tinkami.
- Nedėkite krosnelės ant viryklės ar kitų karštį generuojančių prietaisų. Priešingu atveju galite ją sugadinti, ir garantija nebegalios.
- Mikrobangų krosnelę reikia pastaityti spintelėje, kuri atitinka įrengimo instrukcijose aprašomus reikalavimus.
- Atidengiant dangčiu arba folija uždengtą pagamintą maistą gali kilti garų.
- Apsimaukite pirštines prieš imdami iš krosnelės bet kokį gamintą maistą.
- Kai prietaisas veikia, jis ir jo paviršiai gali būti labai karšti.
- Naudojant prietaisą, durelės ir išorinis stiklas gali būti labai karšti.
- Pasirūpinkite, kad jūsų elektros tinklo duomenys atitiktų prietaiso kategorijos plokštelėje nurodytus duomenis.
- Vienintelis būdas atjungti prietaisą nuo elektros tinklo yra ištraukti elektros lizdo maitinimo kabelio kištuką.

# 1 Svarbios saugos ir aplinkos apsaugos taisyklės

- Prietaisąjunkite tik prie įžeminto elektros lizdo.
- Niekada nenaudokite prietaiso, jeigu šis yra sugadintas arba pažeistas jo maitinimo laidas.
- Naudodami šį prietaisą, nenaudokite ilginimo laido.
- Niekada nelieskite prietaiso ar jo elektros kištuko drėgnomis arba šlapiomis rankomis.
- Prietaisą pastatykite taip, kad elektros kištukas visada būtų pasiekiamas.
- Saugokite maitinimo laidą, kad jis nebūtų suspaustas, užlenktas arba trinamas į aštirus kraštus. Saugokite maitinimo kabelį nuo įkaitusių paviršių ir atviros ugnies.
- Įsitikinkite, ar nėra pavojaus netyčia patraukti už veikiančio prietaiso maitinimo laiko arba ar kas nors už jo neužklius ir nenugrius.
- Jeigu prietaiso nenaudojate arba prieš jį valydami, atjunkite jį nuo elektros tinklo.
- Norėdami išjungti prietaiso elektros maitinimą, netraukite už prietaiso laido.
- Taip pat niekada nevyniokite maitinimo laido aplink prietaisą.
- Nemerkite prietaiso, jo maitinimo laido ir elektros kištuko vandenį ar kokį nors kitą skystį. Nelaikykite jo po tekančiu vandeniu.
- Šildydami maistą plastikiniuose ar popieriniuose induose, dažnai tikrinkite krosnelę. Tokie indai gali užsidegti.
- Prieš dėdami į mikrobangų krosnelę popierinius ar plastikinius maišelius, tinkamus joje naudoti, nuimkite nuo jų vielinius raištelius ir (arba) metalines rankenėles.
- Pastebėję dūmus, išjunkite prietaisą arba ištraukite kištuką iš lizdo ir laikykite dureles uždarytas, kad nekiltų gaisras.
- Nenaudokite krosnelės kam nors laikyti. Kai krosnelės nenaudojate, nepalikite joje popierinių gaminių, virtuvės reikmenų ar maisto.
- Kad išvengtumėte nudegimų, prieš vartojimą visada pamaišykite arba suplakite kūdikių buteliukų turinį ir maistą bei patikrinkite jų temperatūrą.
- Šis prietaisas yra 2 grupės B klasės ISM įrenginys. 2 grupė apima visus ISM (angl. Industrial, Scientific, Medical - pramonės, mokslo ir medicinos) įrenginius, generuojančius radijo bangų energiją ir (arba) naudojančius ją elektromagnetinės radiacijos pavidalu medžiagoms

# 1 Svarbios saugos ir aplinkos apsaugos taisyklės

- apdoroti, ir kibirkštinės erozijos įrenginius.
- B klasės įranga yra skirta gyvenamiesiems namams ir namams, tiesiogiai prijungtiems prie žemos įtampos elektros tinklo.
  - Kai prietaisas naudojamas, jo durelės ar išorinis paviršius gali tapti labai karšti.
  - Skysčių ar kitokio maisto nešildykite uždaruose induose, nes indas gali sprogti.
  - Mikrobangų krosnelėje šildomi gėrimai gali užvirti ir taškytis išimami iš krosnelės. Būkite atsargūs imdami indus į rankas.
  - Krosnelėje nieko neskrudinkite. Karštas aliejus gali sugadinti krosnelės detales bei medžiagas ir netgi nudeginti odą.
  - Daržoves su stora žieve, pavyzdžiui, bulves, cukinijas, obuolius ir kaštainius, pradurkite.
  - Prietaisas turi būti statomas taip, kad jo galinė dalis būtų atsukta į sieną.
  - Pažeidus dureles ar durelių tarpiklius, krosnele negalima naudoti, kol ją pataisys kvalifikuotas specialistas.
  - Prieš pernešdami prietaisą, apsaugokite diską, kad jo nesugadintumėte.
  - Nenaudokite mikrobangų krosnelės neplaktiems kiaušiniams virti ar šildyti – tiek su lukštu, tiek be jo.
  - Niekada nenuimkite prietaiso galinių ar šoninių detalių, užtikrinančių minimalų leistiną atstumą tarp spintelės sienelių ir prietaiso, kad vyktų būtina oro cirkuliacija.
  - Mikrobangų krosnelė yra skirta naudoti tik ją integravus.
  - Naudokite šį prietaisą tik pagal jo numatytąją paskirtį.
  - Nenaudokite prietaiso kaip šilumos šaltinio.
  - Mikrobangų krosnelė skirta tik maistui atšildyti, gaminti ir pašildyti.
  - Nepervirkite (neperkepkitė) maisto, nes gali kilti gaisro pavojus.
  - Nevalykite prietaiso garų pagrindu veikiančiomis valymo priemonėmis.
  - Patariama būti itin atsargiems, naudojant prietaisą šalia vaikų ir žmonių, turinčių fizinių, jutimo arba psichinių negalių.
  - Vaikai nuo 8 metų ir asmenys, turintys ribotas psichines, jutimines ar protines galimybes arba neturintys patirties bei žinių, šiuo prietaisu gali naudotis su sąlyga, jeigu



# 1 Svarbios saugos ir aplinkos apsaugos taisyklės

juos prižiūri arba paaiškina, kaip saugiai naudoti šį gaminį, arba jie supranta galimus su gaminio naudojimu susijusius pavojus. Vaikams negalima žaisti su šiuo prietaisu. Vaikai neturėtų valyti ir tvarkyti mikrobangų krosnelės, nebent juos prižiūri suaugusieji.

- Pavojus uždusti! Visas pakuočių dalis laikykite vaikams nepasiekiamoje vietoje.
- Neleiskite vaikams naudotis krosnele be priežiūros, prieš išsamiai neaptarę krosnelės naudojimo instrukcijų ir neįsitikinę, kad vaikas gali mikrobangų krosnele naudotis saugiai ir supranta netinkamo naudojimo pavojus.
- Dėl didelio karščio, kuris generuojamas įjungus grilio ir kombinacijos režimus, vaikams reikėtų neleisti naudoti šių režimų, jei jų neprižiūri suaugusysis.
- Gaminį ir jo maitinimo laidą laikykite vaikams iki 8 metų nepasiekiamoje vietoje.
- Kai prietaisas veikia, jis ir jo paviršiai gali būti labai karšti. Neleiskite vaikų prie prietaiso.

## 1.2 Atitiktis EEJA direktyvai ir atitarnavusio gaminio sutvarkymas:

Šis gaminys atitinka ES EEJA direktyvą (2012/19/ES). Šis gaminys žymimas elektros ir elektroninės įrangos atliekų (EEJA) simboliu.



Šis simbolis reiškia, kad, kai produktas tampa nebenaudojamas, jo negalima šalinti kartu su kitomis buitinėmis atliekomis. Panaudotą prietaisą būtina pristatyti į elektros ir elektroninių prietaisų surinkimo ir perdirbimo punktą. Norėdami sužinoti, apie surinkimo ir perdirbimo punktus - susisiekite su vietos institucijomis arba pardavėju. Kiekvienas atliekame svarbų vaidmenį saugodami gamtą ir perdirbdami senus buitinius prietaisus. Atitinkamas panaudotų buitinių prietaisų šalinimas padeda išvengti neigiamos žalos gamtai ir žmogaus sveikatai.

## 1.3 Atitiktis RoHS direktyvai

Jūsų įsigytas gaminys atitinka ES RoHS direktyvą (2011/65/ES). Jame nėra direktyvoje nurodytų kenksmingų ar draudžiamų medžiagų.

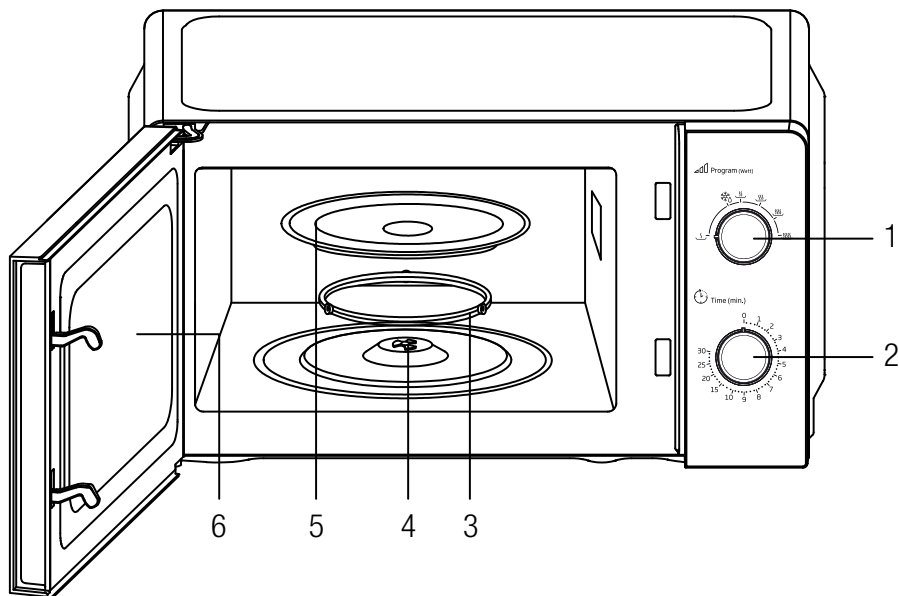
## 1.4 Informacija apie pakuotę



Šio gaminio pakavimo medžiagos pagamintos iš pakartotinai panaudojamų medžiagų, atsižvelgiant į mūsų nacionalinius aplinkosaugos reglamentus. Neišmeskite pakavimo medžiagų kartu su buitinėmis arba kitomis atliekomis. Jas atiduokite į vietinių valdžios institucijų nurodytus pakavimo medžiagų surinkimo punktus.

## 2 Jūsų mikrobangų krosnelė

### 2.1 Apžvalga



### Valdikliai ir dalys

1. Maitinimo rankenėlė
2. Laikmačio rankenėlė
3. Ritininis žiedas
4. Pavara
5. Stiklinis padėklas
6. Kameros langas

### 2.2 Techniniai duomenys

<b>Nominali įtampa</b>	230-240 V~, 50 Hz
<b>Nominali įvestis</b>	1100 W (mikrobangų krosnelė)
<b>Nominali galia</b>	700 W
<b>Mikrobangų dažnis</b>	2450 MHz
<b>Mikrobangų galios lygis</b>	6
<b>Išoriniai matmenys (A x P x G) mm</b>	243 x 446 x 340 mm
<b>Stiklinis padėklas</b>	245 mm
<b>Kameros talpa</b>	20 l
<b>Grynasis svoris</b>	10 kg
<b>Spalva</b>	Balta / Juoda / Sidabrinė

Techninės ir dizaino modifikacijos teisės yra saugomos.

Prietaiso žymos arba kituose kartu su gaminiu pateiktuose dokumentuose nurodytos vertės yra laboratorinėmis sąlygomis pagal atitinkamus standartus gautos vertės. Šios vertės gali skirtis priklausomai nuo prietaiso naudojimo ir aplinkos sąlygų.

## 3 Įrengimas ir prijungimas

### 3.1 Montavimas

1. Įsitinkinkite, kad iš durelių vidinės pusės pašalintos visos pakavimo medžiagos.



**ĮSPĖJIMAS:** Patikrinkite, ar kamera nepažeista, pvz., netinkamai išlygintos arba sulenktos durelės, nepažeisti durelių tarpikliai ir sandarinimo paviršius, sulaužyti arba atsilaisvinti durelių vyriai ir sklęščiai bei įlenkimai ertmėje arba durelėse. Jei yra kokių nors pažeidimų, nenaudokite prietaiso ir kreipkitės į kvalifikuotą techninės priežiūros personalą.

2. Ši mikrobangų krosnelė turi būti pastatyta ant lygaus, stabilaus paviršiaus, kad išlaikytų savo svorį ir sunkiausią maistą, kuris greičiausiai bus gaminamas kameroje.
3. Nestatykite prietaiso ten, kur susidaro karštis, drėgmė arba didelė drėgmė, arba šalia degių medžiagų.
4. Kad prietaisas tinkamai veiktų, jį turi turėti pakankamą oro srautą. Virš prietaiso palikite 20 cm, užpakalinėje dalyje – 10 cm ir abiejose pusėse – 5 cm. Neuždenkite ir neužblokuokite jokių prietaiso angų. Nenuimkite kojelių.
5. Nenaudokite prietaiso, jei stiklinis padėklas, ritinėlių atrama ir pavara nėra tinkamose padėtyse.
6. Įsitinkinkite, kad maitinimo laidas nepažeistas ir nepadėtas po orkaite arba ant karšto ar aštraus paviršiaus.
7. Kištukinis lizdas turi būti lengvai pasiekiamas, kad avariniu atveju jį būtų galima lengvai atjungti.
8. Nenaudokite prietaiso lauke.

### 3.2 Radijo trukdžiai

Mikrobangų krosnelės veikimas gali sukelti radijo, televizoriaus ar panašios įrangos trikdžius.

Esant trikdžiams, juos galima sumažinti arba pašalinti, imantis šių priemonių:

1. Nuvalykite prietaiso dureles ir sandarinimo paviršius.
  2. Perorientuokite radijo ar televizijos priėmimo anteną.
  3. Perkelkite mikrobangų krosnelę imtuvo atžvilgiu.
  4. Perkelkite mikrobangų krosnelę toliau nuo imtuvo.
  5. Prijunkite mikrobangų krosnelę į kitą lizdą, kad mikrobangų krosnelė ir imtuvas būtų skirtingose grandinėse.
- Šio kabelio pagrindo laidai yra spalvoti pagal šį kodą:

**Žalia ir geltona = ŽEMĖ**

**Mėlyna = NEUTRALI**

**Ruda = GYVA**

### 3.3 Maisto gamybos principai naudojant mikrobangų krosnelę

1. Maistą ruoškite atidžiai. Iš indo išimkite maisto likučius.
2. Atkreipkite dėmesį į gaminimo laiką. Gaminkite pasirinkę trumpiausią nurodytą laiką o prirėikus šiek tiek pailginkite. Perkaitintas maistas gali pradėti rūkti arba sudegti.
3. Gamindami maistą jį uždenkite. Uždengus maistą, jis nesitaško ir užtikrinamas tolygus šildymas.
4. Mikrobangų krosnelėje šildydami tokius maisto gaminius kaip paukštienos patiekalai ir mėsainiai, apverskite juos, kad paspartintumėte šios rūšies maisto šilimą. Didelius maisto gaminius, pvz., didelius kepsnius, reikia apversti bent kartą.
5. Gaminimo viduryje tokius maisto gaminius kaip mėsos kukuliai apverskite ir sukeiskite vietomis esančius indo centre ir pakraščiuose.

### 3.4 Įžeminimo instrukcijos

Šis prietaisas turi būti įžemintas. Ši krosnelė turi įžeminimo kabelį su įžemintu kištuku. Prietaisas turi būti prijungiamas prie tinkamai įrengto ir įžeminto sieninio elektros lizdo. Trumpojo jun-

## 3 Įrengimas ir prijungimas

gimo atveju žeminimo sistema leidžia nutekėti elektros srovei ir sumažina elektros šoko pavojų. Rekomenduojame naudoti krosnei skirtą elektros grandinę. Naudoti aukštą įtampa pavojinga, dėl to gali kilti gaisras ar kiti nelaimingi atsitikimai, kurie sugadins krosnelę.



**ĮSPĖJIMAS:** Netinkamai naudojant žeminimo kištuką gali ištikti elektros šokas.



Jei turite klausimų dėl žeminimo ar su elektra susijusių instrukcijų, kreipkitės į kvalifikuotą elektriką arba aptarnavimo tarnybos darbuotojus.



Gamintojas ir (arba) pardavimo atstovas neprisiima atsakomybės dėl sužeidimų arba krosnelės sugadinimo, kurie gali atsirasti netinkamai atliekant su elektra susijusius veiksmus.

5. Gali būti naudojami siauros aliuminio folijos juostelės, kad atviros vietos neperkeptų. Tačiau būkite atsargūs, nenaudokite per daug ir išlaikykite 1 colio (2,54 cm) atstumą tarp folijos ir ertmės.

Žemiau pateiktas sąrašas yra bendras vadovas, padėsiantis pasirinkti tinkamus indus.

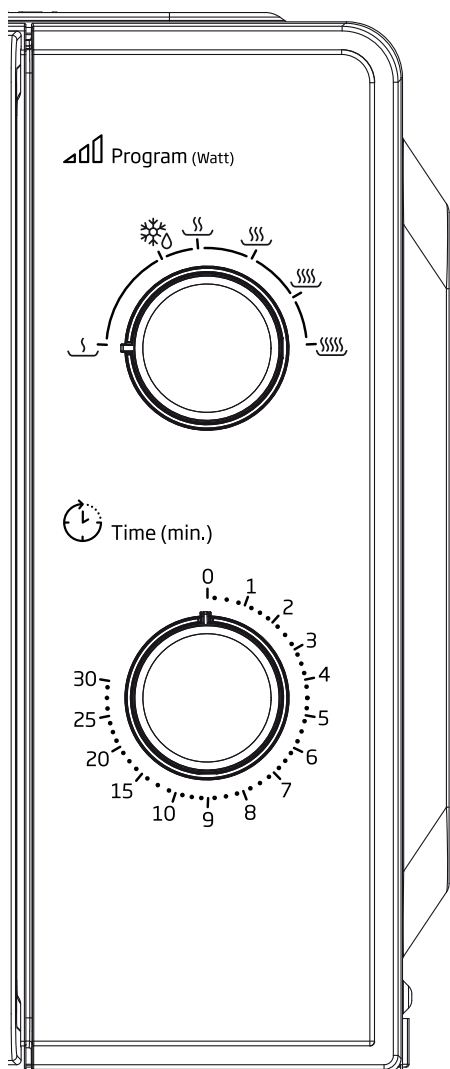
Virtuvės indai	Mikrobangų krosnelė
Karščiui atsparus stiklas	Taip
Karščiui neatsparus stiklas	Ne
Karščiui atspari keramika	Taip
Mikrobangų krosnei tinkantis plastikinis indas	Taip
Virtuvinis popierius	Taip
Metalinis padėklas	Ne
Metalinis stovas	Ne
Aliuminio folija ir folijos talpyklos	Ne

### 3.5 Indų vadovas

1. Mikrobangų krosnelė negali prasiskverbti į metalą. Naudokite tik tokius indus, kurie tinkami naudoti mikrobangų krosnelėje. Gaminant mikrobangų krosnelėje neleidžiama naudoti metalinių indų maistui ir gėrimams laikyti. Šis reikalavimas netaikomas, jei gamintojas nurodo metalinių indų, tinkamų gaminti mikrobangų krosnelėje, dydį ir formą.
2. Mikrobangų krosnelė negali prasiskverbti į metalą, todėl negalima naudoti metalinių indų ar indų su metaline apdaila.
3. Gamindami mikrobangų krosnelėje nenaudokite perdirbto popieriaus gaminių, nes juose gali būti smulkių metalo gabalėlių, kurie gali sukelti kibirkštis ir (arba) gaisrą.
4. Rekomenduojami apvalūs / ovalūs indai, o ne kvadratiniai / pailgi, nes maistas kampuose linkęs pervirti.

## 4 Naudojimas

### 4.1 Valdymo skydelis



Valdymo skydelis susideda iš dviejų veikimo funkcijų. Viena yra laikmačio rankenėlė, o kita – maitinimo rankenėlė.

#### **Įjungimo mygtukas**

Naudodami šią galios rankenėlę galite pasirinkti gaminimo galios lygį. Tai pirmas žingsnis norint

pradėti maisto gaminimo sesiją.

#### **Laikmačio rankenėlė**

Pabandykite nusistatyti laiką pasukdami nykštį, kad pasirinktumėte norimą gaminimo laiką iki 30 minučių per vieną gaminimo sesiją.

#### **Gaminimas mikrobangų krosnelėje**

Norint tinkamai pagaminti mikrobangų krosnelėje yra šeši galios lygiai, iš kurių galima pasirinkti vieną, geriausiai tinkantį atliekamam darbui.

Galios lygis didėja sukant rankenėlę pagal laikrodžio rodyklę. Galios lygiai gali būti klasifikuojami taip:

	<b>Išvesties galia</b>	<b>Aprašymas</b>
1	100 %	Aukštas
2	88 %	Vidutiniškai aukštas
3	73 %	Vidutinis
4	52 %	Vidutiniškai žemas
5	42 %	Atšildyti
6	20 %	Žemas

### 4.2 Veikimas

Norėdami pradėti maisto gaminimo sesiją,

1. Įdėkite maistą į krosnelę ir uždarykite dureles.
2. Pasukite maitinimo rankenėlę (1), kad pasirinktumėte galios lygį.
3. Norėdami nustatyti gaminimo laiką, naudokite laikmačio rankenėlę (2).



Kai tik laikmatis pasukamas, krosnelė pradeda gaminti. Kai pasirenkate trumpesnį nei 2 minučių laiką, pasukite laikmatį daugiau nei 2 minutes ir grįžkite į tinkamą laiką.



**PERSPĖJIMAS:** Visada grąžinkite laikmatį į nulinę padėtį, jei maistas išimamas iš orkaitės nepasibaigus nustatytam gaminimo laikui arba kai orkaitė nenaudojama. Norėdami išjungti orkaitę gaminimo metu, paspauskite durelių atleidimo mygtuką arba atidarykite dureles už rankenos.

# 5 Valymas ir priežiūra

## 5.1 Valymas



**ĮSPĖJIMAS:** Niekada nenaudokite benzino, tirpiklių, šveičiamųjų valymo priemonių, metalinių daiktų ar šepėčių kietais šeriais prietaisui valyti.



**ĮSPĖJIMAS:** Niekada nemerkite prietaiso ar jo maitinimo laido į vandenį ar kokią nors kitą skystį.

1. Išjunkite prietaisą ir ištraukite jo kištuką iš sieninio lizdo.
2. Palaukite, kol prietaisas visiškai atvės.
3. Palaikykite krosnelės švarą. Jei krosnelės sienelės buvo aptaškytos maistu ar viduje išsiliejo skysčiai, nuvalykite juos drėgna šluoste. Jei krosnelė tampa labai nešvari, naudokite švelnaus poveikio valiklį. Venkite purškalo ir kitų šurkščių valiklių, antraip ant durelių paviršiaus gali likti dėmių ir matinių pataky.
4. Išorinius krosnelės paviršius valykite drėgna šluoste. Norėdami išvengti žalos veikiančioms krosnelės dalims, neleiskite kad pro ventilacijos angas į vidų patektų vanduo.
5. Norėdami pašalinti išsiliejusio ir taškomo maisto paliktas dėmes, abi durelių puses ir stiklą, durelių tarpiklius ir dalis šalia tarpiklių dažniau valykite drėgna šluoste. Nenaudokite šveičiamųjų valymo priemonių.
6. Garų valytuvus nenaudojamas.
7. Neleiskite valdymo skydeliui sušlapti. Valykite minkšta drėgna šluoste. Palikite krosnelės dureles atviras, kad valydami valdymo skydelį netyčia neįjungtumėte krosnelės.
8. Jei viduje arba aplink dureles kaupiasi garai, nuvalykite juos minkšta šluoste. Tai gali įvykti, kai mikrobangų krosnelė veikia esant labai drėgnai aplinkai. Tai visiškai normalu.
9. Kai kuriais atvejais jums gali tekti išimti stiklinį padėklą ir jį išvalyti. Nuplaukite padėklą šiltu muiluotu vandeniu arba indaplovėje.
10. Reguliariai valykite ritininį žiedą ir krosnelės apačią, kad būtų išvengta pernelyg didelio triukšmo. Krosnelės apačią pakanka nuvalyti švelnaus poveikio valikliu. Ritininį žiedą plaukite šiltu muiluotu vandeniu arba indaplovėje. Ištraukę ir išplovę ritininį žiedą, įsitikinkite, kad jūs tiksliai įstatėte jį atgal reikiamoje padėtyje.
11. Norėdami pašalinti nemalonius kvapus, įdėkite stiklinę vandens ir sulčių ir citrinos žievelę į gilų dubenį, kuris tinka naudoti mikrobangų krosnelėje, ir įjunkite krosnelę 5 minutėms mikrobangų režimu. Po to nušluostykite ir nusauskite minkšta šluoste.
12. Prašome kreiptis į įgaliotą aptarnavimo centrą, jei reikės pakeisti krosnelės lemputę.
13. Krosnelė turi būti reguliariai valoma ir visi maisto likučiai turi būti pašalinami. Nešvarumai gali sukelti paviršiaus defektus. Tai gali neigiamai paveikti prietaiso veikimo laiką bei sukelti riziką.
14. Prašome neišmesti šio prietaiso kartu su įprastomis buitinėmis atliekomis; pasenusios mikrobangų krosnelės turi būti perduodamos specialioms atliekų centrams, kuriais turi pasirūpinti savivaldybės.
15. Kai mikrobangų krosnelė naudojama grilio režimu, gali kilti šiek tiek dūmų, taip pat gali būti juntamas kvapas. Po tam tikro naudojimo laiko jie turėtų išnykti.

## 5.2 Saugojimas

- Jeigu prietaiso ilgai nenaudosite, padėkite jį į saugią vietą.
- Patikrinkite, ar prietaisas yra atjungtas nuo elektros tinklo, atvėšęs ir visiškai sausas.
- Prietaisą laikykite vėsioje, sausoje vietoje.
- Saugokite prietaisą nuo vaikų.

## 5 Valymas ir priežiūra

### 5.3 Tvarkymas ir transportavimas

- Tvarkydami ir transportuodami prietaisą neškite originalioje pakuotėje. Prietaiso pakuotė apsaugo jį nuo fizinių pažeidimų.
- Nedėkite didelių apkrovų ant prietaiso ar pakuotės. Prietaisas gali būti sugadintas.
- Numetus prietaisą jis neveiks arba sugadins jį visam laikui.

## 6 Trikčių šalinimas

Problema	Galimas sprendimas
Jei prietaisas neveikia	Patikrinkite, ar prietaisas patikimai prijungtas. Jei ne, ištraukite kištuką iš elektros lizdo, palaukite 10 sekundžių ir vėl patikimai įjunkite.
	Patikrinkite, ar neperdegė grandinės saugiklis arba nesuveikė pagrindinis grandinės pertraukiklis. Jei atrodo, kad jie veikia tinkamai, patikrinkite lizdą su kitu prietaisu.
	Patikrinkite, ar valdymo pultas tinkamai užprogramuotas ir nustatytas laikmatis.
	Patikrinkite, ar durys yra saugiai uždarytos ir užsifiksavo durų saugos užrakto sistema. Priešingu atveju mikrobangos negalės tinkamai veikti.
Jei nė vienas iš aukščiau išvardytų dalykų nepadeda ištaisyti situacijos, kreipkitės į kvalifikuotą specialistą. Nemėginkite patys reguliuoti ar taisyti krosnelės.	

# Lugege esmalt seda kasutusjuhendit.




Hea klient!

Täname, et valisite Beko seadme. Loodetavasti saate parimad tulemused, kuna see toode on valmistatud väga kvaliteetselt ja uusima tehnoloogiaga. Selleks tutvuge enne toote kasutamist hoolikalt kasutusjuhendi ja kõigi kaasasolevate dokumentidega ning hoidke need tuleviku tarbeks alles. Kui annate toote üle kellelegi teisele, andke kaasa ka kasutusjuhend. Järgige kõiki juhiseid, pöörates tähelepanu kasutusjuhendis toodud teabele ja kõikidele hoiatustele.

Pidage meeles, et see kasutusjuhend võib kehtida ka teiste mudelite kohta. Mudelitevahelisi erinevusi on kasutusjuhendis selgelt kirjeldatud.

## Sümbolite tähendused

Selle kasutusjuhendi erinevates jaotistes kasutatakse järgmisi sümboleid.

	Oluline teave ja kasulikud nõuanded.
	Hoiatused elu ja vara suhtes ohtlike olukordade kohta.
	Hoiatus tuliste pindade kohta.
	Hoiatus elektrilöögi kohta



See seade on valmistatud keskkonnahoidlikus tänapäevases tehases loodust kahjustamata



# 1 Olulised ohutus- ja keskkonnaalased juhised

Käesolev jaotis sisaldab ohutusjuhiseid, mis aitavad teil vältida tuleohtu, elektrilööke, kokkupuutumist lekkinud mikrolaineenergiaga, kehavigastusi ja varalist kahju. Nende juhiste eiramisel kaotab antud garantii kehtivuse.

## 1.1 Üldine ohutus

- Beko mikrolaineahi vastab kehtivatele ohutusstandarditele, seepärast tuleb alati, kui seadmel või selle toitejuhtmel esineb kahjustusi, vastav seade remontida või välja vahetada edasimüüja, teeninduskeskuse, spetsialisti või autoriseeritud teeninduse poolt, et igasugused ohud oleks välistatud. Puudulikud või oskamatud remonditööd võivad olla ohtlikud ja põhjustada ohtusid ka kasutajale.
- Ärge proovige ahju käivitada ajal, mil selle uks on lahti - vastasel juhul võite kokku puutuda kahjuliku mikrolaine-energiaga. Turvalukke ei tohi eemaldada ega rikkuda.
- Ärge paigutage esemeid ahju esikülje ja ukse vahele. Ärge laske sulguvatele pindadele koguneda mustuse või puhastusvahendi jääke.
- Igasugused hooldustööd, mille käigus on vaja eemaldada mikrolaineenergia eest kaitsev kate, peab läbi

viima volitatud isik/teenindus. Igasugune muu lähenemine on ohtlik.

- Teie toode on loodud kodus toidu küpsetamiseks, soojendamiseks ja sulatamiseks. Seda ei tohi kasutada ärilistel eesmärkidel. Toote valmistaja ei vastuta valesti kasutamisest põhjustatud kahjude eest.
- Ärge kasutage seda seadet välitingimustes, vannitubades, niisketes keskkondades ega kohtades, kus see võib märjaks saada.
- Valmistaja ei vastuta ega anna garantiisid kahjude osas, mis on põhjustatud seadme valesti või ebasobivatel eesmärkidel kasutamisest.
- Ärge proovige seadet lahti võtta. Valmistaja ei anna garantiisid kahjude osas, mis on põhjustatud seadme valesti kasutamisest.
- Kasutage ainult valmistaja poolt soovitatud originaalosi.
- Ärge jätke töötavat seadet järelvalveta.
- Kasutage seadet alati stabiilsel, lamedal, puhtal, kuival ja libisemis-kindlal pinnal.
- Seadet ei tohi kasutada välise taimer või eraldi kaugjuhtimissüsteemiga.
- Enne seadme esmakordset kasutamist puhastage kõik selle osad.

# 1 Olulised ohutus- ja keskkonnaalased juhised

Vaadake palun lähemalt jaotisest «Puhastamine ja hooldus».

- Kasutage seadet ainult ettenähtud eesmärkidel ja vastavalt käesolevale juhendile. Ärge kasutage seadmel abrasiivseid materjale ega auru.
- See ahi on mõeldud spetsiaalselt toidu soojendamiseks ja küpsetamiseks. See ei ole tehtud tööstuslikuks või laboratoorseks kasutamiseks.
- Ärge kasutage seda seadet riiete või käterätikute kuivatamiseks.
- Seade muutub kasutamise ajal väga tuliseks. Hoiduge ahju sise-muses olevate tuliste osade puudutamisest.
- Teie ahi ei ole loodud ühegi elusolendi kuivatamiseks.
- Tühja ahju ei tohi käivitada.
- Soojendatud toidult nõudele üle kanduva soojuse mõjul võivad nõud kuumeneda. Nõude hoidmiseks võib vaja minna ahjukindaid.
- Nõude sobivust mikrolaineahjus kasutamiseks tuleb eelnevalt kontrollida.
- Ärge paigutage ahju pliidile või muule kuumust genereerivale pinnale. Vastasel juhul võib seade kahjustuda ja sellele antud garantii kaotada kehtivuse.
- Mikrolaineahju ei tohi paigutada kappi, mis ei vasta paigaldusjuhistes toodud nõuetele.
- Pärast toidu küpsetamist võib katte või fooliumi alt eralduda auru.
- Kasutage igasuguse soojendatud toidu väljavõtmisel kindaid.
- Seadme kasutamise ajal võib seade ise või mõni selle ligipääsetav pind olla väga kuum.
- Seadme kasutamise ajal võib selle uks ja välimine klaas olla väga kuum.
- Veenduge, et teie toitevool vastab seadme andmesildil toodud andmetele.  
Ainus viis seadme vooluvõrgust eemaldamiseks on toitejuhtme pistiku välja võtmine kontaktist.
- Kasutage seadet ainult koos maandatud pistikupesaga.
- Ärge kasutage seadet, kui toitejuhe või seade ise on kahjustatud.
- Ärge kasutage seda seadet pikendusjuhtmega.
- Ärge puudutage seadet või selle pistikut niiske või märja käega.
- Paigutage seade nii, et pistikule oleks alati võimalik ligi pääseda.
- Toietjuhtme kahjustumise vältimiseks hoiduge selle pigistamisest, murdmisest või hõõrumisest vastu teravaid servi. Hoidke toitejuhe

# 1 Olulised ohutus- ja keskkonnavalused juhised

- eemal kuumadest pindadest ja lahtisest tulest.
- Veenduge, et ei oleks toitejuhtme kogemata tõmbamise või selle taha komistamise ohtu seadme töötamise ajal.
  - Enne iga puhastamist ja ajal, kui seadet ei kasutata, eemaldage toitejuhe vooluvõrgust.
  - Seadme eemaldamiseks vooluvõrgust ärge sikutage toitejuhet, samuti ärge mähkige toitejuhet ümber seadme.
  - Ärge uputage seadet, toitejuhet ega kontakti vette ega ühtegi muusse vedelikku. Ärge hoidke neid ka jooksva vee all.
  - Kui kuumutate toitu plast- või paberanumates, kontrollige ahju regulaarselt, sest need võivad süttida.
  - Enne mikrolaineahjus kasutamiseks sobivate paber- või kilekottide paigutamist ahju, eemaldage traadid ja/või metallidetailid.
  - Kui näete suitsu, lülitage seade välja või eemaldage vooluvõrgust ja hoidke uks suletuna, et vältida süttimise võimalus.
  - Ärge kasutage ahju sisemust millegi hoiustamiseks. Ärge jätke paberesemeid, toiduvalmistamismaterjale ega toitu ahju sisse ajaks, mil ahju ei kasutata.
  - Söötmisspudeleid ja imikutoidupurke tuleb enne tarbimist segada või raputada ja nende temperatuuri kontrollida, et vältida põletusi.
  - See on grupi 2 klass B ISM seade. Gruppi 2 kuuluvad kõik ISM (tööstuslikud, teaduslikud ja meditsiinilised) seadmed, kus raadiosageduslik energia on tahtlikult loodud ja/või kasutatakse elektromagnetilist kiirgust materjali töötlemiseks ja sädeerosioon seadmeid.
  - Klass B seadmed on seadmed, mis sobivad kasutamiseks kodus majapidamises ja on otse ühendatud madalpinge-toitevõrgustikku.
  - Seadme uks või välispind võib kasutamise käigus kuumeneda.
  - Vedelike ega muid toiduaineid ei tohi kuumutada kinnises anumates, sest sellega kaasneb plahvatuse oht.
  - Jookide kuumutamisel mikrolaineahjus võib jook pärast ahjust välja võtmist loksutamisel keema minna, seepärast olge anumate käes hoidmisel ettevaatlikud.
  - Ärge praadige ahjus midagi. Kuum õli võib kahjustada ahju materjale ja osi, ning võib põhjustada nahapõletust.
  - Paksu koorikuga toiduainetele, nagu kartulid, suvikõrvitsad, õunad ja kastanid tuleb augud sisse teha.

# 1 Olulised ohutus- ja keskkonnaalased juhised

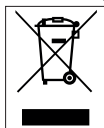
- Seade peab olema paigutatud nii, et selle tagakülg on seinu suunas.
- Kui uks või uksetihendid on kahjustatud, ei tohi ahju kasutada seni, kuni kvalifitseeritud isik on selle remontinud.
- Enne seadme liigutamist kinnitage pöördalus paigale, et vältida selle kahjustumist.
- Ärge kasutage mikrolaineahju toorete munade soojendamiseks ei koorega ega kooreta.
- Ärge eemaldage seadme taga ja külgedel asuvaid osi, mis tagavad minimaalse nõutud õhu ringluseks vajaliku vahemaa kapi seinte ja seadme vahel.
- Mikrolaineahi on ette nähtud kasutamiseks ainult sisseehitatud ahjana.
- Ärge kasutage ahju ühelgi muul otstarbel peale ettenähtud kasutusalala.
- Ärge kasutage seadet soojusallikana.
- Mikrolaineahi on mõeldud ainult toidu sulatamiseks, küpsetamiseks ja hautamiseks.
- Ärge küpsetage toitu üle - selle tagajärjeks võib olla tulekahju.
- Ärge kasutage seadme puhastamiseks auru abil töötavaid puhastus-seadmeid.
- Kui seadet kasutatakse laste või piiratud füüsiliste, sensoorsete või vaimsete võimetega isikute läheduses, on soovitatav olla äärmiselt ettevaatlik.
- Lapsed alates 8. eluaastast ja füüsilise, sensoorse või vaimupuudega isikud, samuti puudulike teadmiste ja kogemustega isikud tohivad seadet kasutada tingimusel, et nad teevad seda järelevalve all või neile on selgitatud seadme ohutut kasutamist ning mõistavad seadme kasutamisega seotud ohte. Lapsed ei tohi seadmega mängida. Lapsed ei tohi ilma vanemate järelevalveta läbi viia seadme puhastamise ja kasutajahoolduse protseduure.
- Lämpumisoht! Hoidke pakkematerjale väljaspool laste käeulatus.
- Lapsed tohivad ahju kasutada ilma järelevalveta ainult juhul, kui neid on piisavalt juhendatud nii, et nad suudavad kasutada ahju ohutul viisil ja mõistavad väärkasutamise seotud ohte.
- Suure kuumuse tõttu, mis tekib ahju kasutamisel grilli ja kombineeritud režiimis, tohivad lapsed neid režiime kasutada ainult täiskasvanu järelevalve all.
- Hoidke toodet ja selle toitejuhet kohas, kus see ei ole kättesaadav alla 8 aasta vanustele lastele.

# 1 Olulised ohutus- ja keskkonnaalased juhised

- Seadme kasutamise ajal võib seade ise või mõni selle ligipääsetav pind olla väga kuum. Hoidke lapsed eemal.

## 1.2 WEEE direktiivi täitmine ja romuseadme kõrvaldamine:

Seade vastab Euroopa Liidu WEEE direktiivile (2012/19/EL). Seadmel on elektri- ja elektroonika-seadmete jäätmete (WEEE) liigiti kogumise tähis.



See sümbol näitab, et toodet ei utiliseerita pärast selle eluea lõppu koos muu olmeprügiga. Kasutatud toode tuleb tagastada ametlikku elektri- ja elektroonikatoodete käitluse kogumispunkti.

Selliste kogumispunktide leidmiseks pöörduge palun kohalike ametivõimude või toote teile müünud jaemüüja poole. Igal majapidamisel on vanade seadmete tagastamisel ja taaskäitlusse suunamisel oluline roll. Kasutatud seadme korrektne käitlemine aitab ära hoida negatiivseid tagajärgi keskkonna ja tervise jaoks.

## 1.3 RoHS-direktiivi täitmine:

Seade vastab Euroopa Liidu RoHS-direktiivile (2011/65/EL). See ei sisalda direktiivis mainitud kahjulikke ja keelatud materjale.

## 1.4 Teave pakendi kohta

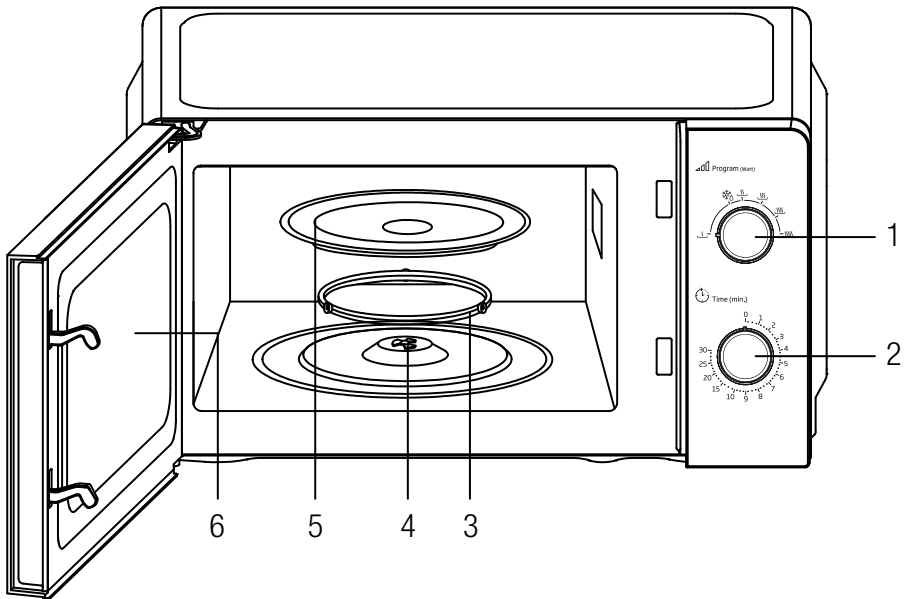


Vastavalt meie riiklikule seadusandlusele on toote pakend valmistatud taaskasutatavatest materjalidest.

Ärge visake pakkematerjale tavalise olmeprügi või muude jäätmete hulka. Viige need kohaliku omavalitsuse poolt määratud pakendikogumispunkti.

## 2 Teie mikrolaineahi

### 2.1 Ülevaade



### Juhtelemendid ja osad

1. Võimsusastme nupp
2. Taimeri nupp
3. Rõngas
4. Võll
5. Klaasist ahjuplaat
6. Ahju aken

### 2.2 Tehnilised andmed

<b>Nimipinge</b>	230-240V~,50Hz
<b>Nominaalne sisendvõimsus</b>	1100W (mikrolaine)
<b>Nimiväljundvõimsus</b>	700 W
<b>Mikrolainesagedus</b>	2450 MHz
<b>Mikrolaineahju võimsusastmeid</b>	6
<b>Välismõõtmed (K*L*S) mm</b>	243*446*340 mm
<b>Klaasist pöördtaldrik</b>	245 mm
<b>Ahju mahutavus</b>	20 L
<b>Netokaal</b>	10 kg
<b>Värv</b>	Valge / must / hõbedane

Tootja jätab endale õigust muuta tehnilisi näitajaid ja disaini.

Seadmel olevad märgised või muudes tootega kaasasolevates dokumentides äratoodud väärtused on saadud laboritingimustes vastavate standardite kohaselt. Need väärtused võivad olenevalt seadme kasutusest ja ümbritsevatest tingimustest erineda.

## 3 Paigaldus ja ühendamine

### 3.1 Paigaldamine

1. Veenduge, et kõik pakkematerjalid on ukse sise- poolt eemaldatud.



**HOIATUS:** Kontrollige ahju kahjustuste suhtes, näiteks valesti joondatud või painutatud uks, kahjustatud ukse tihendid ja tihenduspinnd, katkised või lahtised uksehinged ja sulgurid ning mõlgid ahju sisepindadel või uktsel. Kahjustuste tuvastamise korral ärge kasutage ahju, selle asemel võtke ühendust spetsialistist hooldustehnikuga.

2. Mikrolaineahi tuleb asetada tasasele, stabiilsele pinnale, mis suudab kanda selle kaalu ja kõige raskemaid töönaolisi roogasid.
3. Ärge paigaldage ahju kõrge kuumuse, niiskuse või kõrge õhuniiskusega kohtadesse ega põlevate materjalide lähedusse.
4. Õigeks toimimiseks vajab ahi piisavat õhuvoolu. Jätke ahju kohale 20 cm, taha 10 cm ja mõlemale küljele 5 cm vaba ruumi. Ärge katke ega blokeerige seadme avasid. Ärge eemaldage jalgu.
5. Ärge kasutage ahju, kui klaasist ahjuplaat, rulltoed ja võll pole korralikult paigas.
6. Veenduge, et toitejuhe oleks kahjustamata ega asetseb ahju all või kuumal või teraval pinal.
7. Pistikupesa peab olema kergesti ligipääsetav, et pistiku saaks hädaolukorras kergesti lahti ühendada.
8. Ärge kasutage ahju välistingimustes.

### 3.2 Raadiohäired

Mikrolaineahju kasutus võib põhjustada häireid Teie raadio, teleri või sarnaste seadmete töös. Häirete esinemisel saab neid vähendada või kõrvaldada järgmistest meetmetest abil:

1. puhastage ahju uks ja tihenduspinnd;
2. suunake ümber raadio või teleri vastuvõtuan- tenn;

3. paigutage ümber mikrolaineahi vastuvõtja suh- tes;
4. teistsaldage mikrolaineahi vastuvõtjast kaugema- le;
5. ühendage mikrolaineahi teise pistikupessa, nii et mikrolaineahi ja vastuvõtja on erinevates voo- luahela harudes.

Antud kaabli juhtmete värvid tähistavad järgmist:

**roheline ja kollane = MAA;**  
**sinine = NULL;**  
**pruun = FAAS.**

### 3.3 Mikrolainete abil toidu valmistamise põhimõtted

1. Valmistage toit hoolikalt ette. Paigutage ülejää- gid nõust väljapoole.
2. Pöörake tähelepanu küpsetamisajale. Küpsetage kõige lühema määratud aja jagu ja kui sellest jääb väheks, lisage aega juurde. Üleküpsetatud toit võib põhjustada suitsu või ära kõrbed.
3. Katke toit küpsemise ajaks kinni. Toidu kinnikat- mine aitab ära hoida pritsmeid ja tagada toidu ühtlase küpsemise.
4. Selliste toitude nagu linnuliha või pihvide küp- setamisel mikrolaineahjus pöörake toitustid, et nende valmistamine oleks kiirem. Suuremaid toite, nagu näiteks praade tuleb vähemalt üks kord pöörata.
5. Selliseid toite nagu näiteks lihapallid tuleb poole küpsemise ajal ümber pöörata ja liigutada nõu äärtes olevad pallid keskele ja vastupidi.

### 3.4 Maandamisjuhised

Seade tuleb maandada. Sellel ahjul on olemas maandusjuhe koos maanduskontaktiga. Seade tuleb ühendada seinakontakti, mis on korrektselt paigaldatud ja maandatud. Maandussüsteem tagab elektrivoolule lühiühenduse korral lekkeju- htme ja vähendab elektrilöögi ohtu. Soovitame kasutada ainult ahjule pühendatud vooluringi. Kõrge pingega töötamine on ohtlik ja võib põhjustada tulekahju või muid õnnetusi, mis kahjustavad ahju.

## 3 Paigaldus ja ühendamine



**HOIATUS:** Maanduskontakti valesti kasutamine võib põhjustada elektrilööki.



Kui teil on maanduse ja elektriseadmete töö kohta küsimusi, konsulteerige palun kvalifitseeritud elektrikuga või teenindustöötajaga.



Seadme valmistaja ega edasimüüja ei võta mingisugust vastutust vigastuste või ahju kahjustuste eest, mis võivad tekkida ebakorrekse elektriühenduse tõttu.

Allolev loend on üldine juhend, mis aitab Teil valida õigeid kööginõusid.

Kööginõud	Sobib mikrolaineahjus kasutamiseks
Kuumakindel klaas	Jah
Kuuma mitte taluv klaas	Ei
Kuumakindel savinõud	Jah
Mikrolainekindlast plastikust taldrükud	Jah
Köögipaber	Jah
Metallist ahjuplaat	Ei
Metallist traatriiul	Ei
Alumiiniumfoolium ja fooliumist anumad	Ei

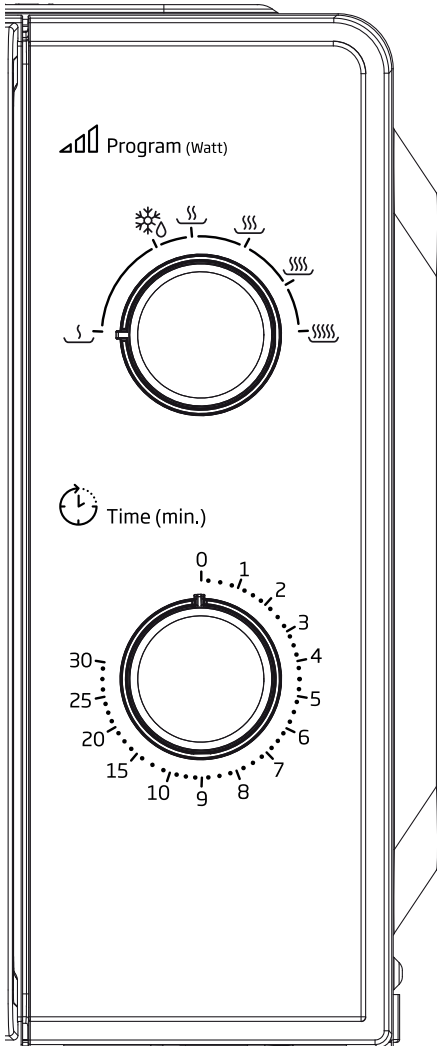
### 3.5 Kööginõude juhend

1. Mikrolained ei suuda läbida metalle. Kasutage ainult mikrolaineahjus kasutamiseks sobivaid kööginõusid. Mikrolaineahjus toiduvalmistamise ajal ei ole metallist anumad lubatud. Antud tingimus ei kehti, kui tootja on määranud kindlaks mikrolaineahjus kasutamiseks sobivate metallanumate suuruse ja kuju.
2. Mikrolained ei suuda läbida metalle, seetõttu ei tohi kasutada metallist tehtud ega metallist ääristusega kööginõusid.
3. Ärge kasutage mikrolaineahjus ringlussevõetud paberist tooteid, kuna need võivad sisaldada väikeseid metallitükke, mis võivad põhjustada sädemeid ja/või tulekahju.
4. Soovitavad on pigem ümarad/ovaalsed nõud kui kandilised/piklikud, kuna nurkades olevad toidud kipuvad üle küpsema.
5. Katmata alade üleküpsemise vältimiseks saab kasutada kitsaid alumiiniumfooliumist ribasid. Samas olge ettevaatlik, ärge kasutage liiga palju ning jätke fooliumi ja õõnsuse vahele 2,54 cm vahekaugust.



## 4 Kasutamine

### 4.1 Juhtpaneel



Juhtpaneel koosneb kahest funktsionaalsest juhtelemendist. Üks on taimeri nupp ja teine on võimsusastme nupp.

#### Võimsusastme nupp

Antud võimsusastme nupu abil saab valida toiduvalmistamise võimsuse astet. See on esimene

samm toiduvalmistamisega alustamiseks.

#### Taimeri nupp

Kerge pöidlaga nupu keeramise tulemusena kuvatakse taimeri sätteid soovitud toiduvalmistamise aja valimiseks (kuni 30 minutit kasutuskorra kohta).

#### Mikrolaineahjus toiduvalmistamine

Mikrolaineahjus toiduvalmistamiseks on olemas kuus võimsusastet, mille hulgest saab valida käesolevaks roaks kõige paremini sobiva.

Võimsust saab juurde nupu päripäeva keeramisega. Võimsusastmeid saab liigitada järgmiselt:

	Väljundvõimsus	Kirjeldus
1	100%	Kõrge
2	88%	Keskmiselt kõrge
3	73%	Keskmine
4	52%	Keskmisel madal
5	42%	Sulatamine
6	20%	Madal

### 4.2 Käsitamine

Toiduvalmistamisega alustamine

1. Asetage toit ahju ja sulgege uks.
2. Võimsusastme valimiseks keerake võimsusastme nupu (1).
3. Toiduvalmistamise aja seadmiseks kasutage taimeri nupu (2).



Ahi hakkab tööle kohe taimeri nupu keeramisel. Kui soovitud aeg on alla 2 minuti, valige taimeri nupuga pikem aeg ja seejärel keerake seda tagasi õigele väärtusele.



**ETTEVAATUST:** Kui roog võetakse ahjust välja enne määratud toiduvalmistamise aja lõppu või kui ahju ei kasutata, tuleb taimer alati tagasi nullasendisse viia. Toiduvalmistamise ajal ahju peatamiseks vajutage ukse vabastamisnupu või avage uks käepidemest.

# 5 Puhastamine ja hooldus

## 5.1 Puhastamine



**HOIATUS!** Ärge kasutage seadme puhastamiseks bensiini, lahustit, abrasiivseid puhastusvahendeid, metallesemeid ega tugevaid harju.



**HOIATUS!** Ärge uputage seadet ega selle toitejuhet vette ega ühtegi muusse vedelikku.

1. Lülitage seade välja ja eemaldage seinakontaktist.
2. Oodake, kuni seade on täielikult maha jahtunud.
3. Hoidke ahju sisepind puhtana. Kui toidupritsmes ja mahavoolanud vedelikud kleepuvad ahju seintele, pühkige need ära niiske riidelapiga. Kui ahi on väga must, võib kasutada pehmetoimelist pesuvahendit. Ärge kasutage pihusteid või muid tugevatoimelisi puhastusvahendeid, sest need võivad jätta plekke ja läbipaistmatuid laike ukse pinnale.
4. Ahju välispinda tuleb puhastada niiske riidelapiga. Masina sisemiste osade kahjustamise vältimiseks ei tohi lasta veel sattuda õhutusa- vadesse.
5. Pritsemete ja mahavoolanud vedelikest jäänud plekkide eemaldamiseks pühkige ukse ja klaasi mõlemaid pooli, ukse kinnitusi ja nende lähed- uses asuvaid alasid regulaarselt niiske lapiga. Ärge kasutage abrasiivseid puhastusvahendeid.
6. Aurupuhastit ei kasutata.
7. Vältige juhtpaneeli märjakssaamist. Puhastage pehme niiske lapiga. Et vältida seadme soovimatut käivitumist juhtpaneeli puhastamise käi- gus, jätke ahju uks puhastamise ajaks lahti.
8. Kui ahjuukse siseküljele või ümbrusesse kon- denseerub aur, pühkige see pehme riidelapiga ära. See võib juhtuda siis, kui mikrolaineahju kasutatakse suure õhuniiskuse tingimustes. See on tavapärane.
9. Mõnel puhul võib osutada vajalikuks klaasaluse eemaldamine puhastamiseks. Peske alust sooja seebiveega või nõudepesumasinas.

10. Rullikurõngast ja ahju sisepõhja tuleb liigse müravältimiseks regulaarselt puhastada. Piisab ahju põhjapinna pühkimisest pehmetoimelise puhastusainega. Rullikurõngast võib pesta sooja seebivee või nõudepesuvahendiga. Kui eemaldate rullikurõnga puhastamiseks ahju sisepõhjalt, veenduge hiljem, et paigaldate selle tagasi õiges asendis.
11. Ahjust halbade lõhnade eemaldamiseks asetage ahju klaasitäis vett koos ühe sidruni mahla ning koortega, pannes need sügavasse, mikrolaineahjus kasutamiseks sobivasse kaussi, ja käivitage ahi viieks minutiks mikrolaineahju režiimis. Pühkige põhjalikult ja kuivatage pehme riidelapiga.
12. Kui ahju tuli vajab vahetamist, võtke palun ühendust volitatud teenindusega.
13. Ahju tuleb puhastada regulaarselt ja eemaldada kõik toidujägid. Kui ahju ei hoita puhtana, võib see põhjustada pinnadefekte, mis võivad mõjutada negatiivselt seadme elutsükli ja olla ohtlikud.
14. Ärge visake kasutuks muutunud seadet tavalise olmeprügi hulka - vanad ahjud utiliseeritakse spetsiaalsetes kohaliku omavalitsuse poolt loodud jäätmekäitluskeskustes.
15. Mikrolaineahju kasutamisel grillifunktsioonis võib eralduda väikeses koguses suitsu ja lõhna, mis teatud kasutusaja järel kaovad.

## 5.2 Ladustamine

- Kui te ei kavatse seadet pika aja vältel kasutada, ladustage see hoolikalt.
- Veenduge, et seade on vooluvõrgust eemalda- tud, maha jahtunud ja täiesti kuiv.
- Ladustage seade jahedas ja kuivas kohas.
- Hoidke seadet lastele kättesaamatus kohas.

## 5 Puhastamine ja hooldus

### 5.3 Käitlemine ja transport

- Käsitsemise ja transportimise ajal kandke seadet originaalpakendis. Seadme pakend kaitseb seda füüsiliste kahjustuste eest.
- Ärge asetage seadmele ega pakendile raskeid koormaid. Seade võib kahjustuda.
- Seadme mahakukkumine muudab selle mittetöötavaks või põhjustab püsivaid kahjustusi.

## 6 Veatsing

Probleem	Võimalik lahendus
Kui ahi ei hakka tööle	Kontrollige, kas ahi on korralikult seinakontakti ühendatud. Kui mitte, eemaldage pistik pistikupesast, oodake 10 sekundit ja ühendage uuesti korralikult.
	Kontrollige, kas kaitselüliti on läbi põlenud või peakaitselüliti ei ole välja lülitatud. Kui need tunduvad olevat korras, katsetage pistikupesaga mõne teise seadmega.
	Kontrollige, kas juhtpaneel on õigesti programmeeritud ja taimer on seadistatud.
	Kontrollige, kas uks on kindlalt suletud ja kas ukse turvalukustus toimib. Vastasel juhul ei sisene ahjusse mikrolaineenergia.
Kui ükski ülaltoodu ei aita olukorda parandada, võtke ühendust spetsialistist tehnikuga. Ärge üritage ahju ise reguleerida ega parandada.	

# Моля, първо прочетете ръководството за употреба!


Уважаеми клиенти,


Благодарим Ви, че избрахте този уред на Веко. Надяваме се да получите отлични резултати от нашия уред, произведен от висококачествени материали по най-модерна технология. Затова, преди да преминете към употребата на уреда, Ви молим първо да прочетете цялото ръководство за употреба, както и другата придружителна документация и да ги запазите за справка в бъдеще. Ако уредът смени собственика си в бъдеще, то предайте и ръководството за употреба заедно с уреда. Следвайте указанията, като обръщате внимание на цялата информация и предупреждения в инструкцията за употреба.


Не забравяйте, че това ръководство за употреба може да се отнася за няколко различни модела. Разликите между моделите са описани подробно в ръководството.

## Значение на символите

В различните раздели на ръководството са използвани следните символи:

	Важна информация и полезни съвети за употребата.
--	--

	Предупреждения за опасни ситуации за здравето и собствеността.
--	--

	Предупреждение за горещи повърхности.
--	---------------------------------------

	<b>ПРЕДУПРЕЖДЕНИЕ:</b> Предупреждение за опасност от токов удар.
--	---



РЕЦИКЛИРАНА И  
РЕЦИКЛЕРУЕМА  
ХАРТИЯ

Уредът е произведен в екологични, съвременни фабрики, които не вредят на природата.

# 1 Важни инструкции за безопасност и опазване на околната среда

Този раздел съдържа инструкции за безопасност, които ще ви помогнат да се защитите от риск от пожар, електрически удар, излагане на утечка от микровълнова енергия; нараняване или повреда на собствеността. Неспазването на инструкциите обезсилва предоставената гаранция.

## 1.1 Обща безопасност

- Микровълновата фурна Веко съответства на приложимите стандарти за безопасност; ето защо, в случай на повреда по уреда или захранващия кабел, той трябва да бъде ремонтиран или сменен от дилър, сервизен център или специалист и оторизиран сервизен с цел избягване на всякакви щети. Погрешен или неквалифициран ремонт може да доведе до опасност и риск за потребителя.

- Не се опитвайте да стартирате фурната, когато вратата ѝ и отворена; в противен случай може да се изложите на вредна микровълнова енергия. Обезопасителните блокировки не трябва да бъдат деактивирани или изменени.
- Не поставяйте каквито и да е предмети между предната страна и вратата на фурната. Не допускайте наслояването на мръсотия или почистващи препарати по затварящите повърхности.
- Всякакви сервизни работи, включващи отстраняването на капака, който защитава от излагане на микровълнова енергия, трябва да се извършват от оторизирани лица/сервиз. Всеки друг подход е опасен.
- Вашият продукт е предназначен за готвене, подгриване и разтопя-

# 1 Важни инструкции за безопасност и опазване на околната среда

- ване/размразяване на храна в къщи. Не бива да се използва за търговски цели. Производителят не може да носи отговорност за щети, настъпили от неправилна употреба.
- Не използвайте този уред на открито, в бани, влажна среда или на места, където може да стане мокро.
  - Не се допуска отговорност или гаранционни искове за щети, настъпили вследствие на неправилна употреба или неправилна работа с уреда.
  - Никога не се опитвайте да разглобите уреда. Гаранцията няма да покрие никакви повреди, причинени от неправилно боравене с уреда.
  - Използвайте само оригинални части или такива, препоръчани от производителя.
  - Не оставяйте уреда без наблюдение при ползването му.
  - Използвайте уреда само върху стабилна, равна, чиста, суха и нехлъзгава повърхност.
  - Уредът не бива да се използва с външен таймер или отделна дистанционна система.
  - Преди да използвате уреда за първи път, почистете всичките му части. За подробности, направете справка с раздел „Почистване и поддръжка“.
  - Използвайте уреда само по предназначение, както е описано в това ръководство.
  - Не използвайте абразивни химикали или пара за почистване на този уред. Тази фурна е предназначена само за затопляне и готвене на храна. Тя не е предназначена за промишлена

# 1 Важни инструкции за безопасност и опазване на околната среда

- или лабораторна употреба.
- Не използвайте този уред за сушене на дрехи или кухненски кърпи.
- Уредът става много горещ по време на употреба. Обърнете внимание да не докосвате горещите части във вътрешността на фурната.
- Вашата фурна не е проектирана за сушене на каквото и да е живо същество.
- Не работете с фурната, ако тя е празна.
- Съдовете за готвене може да са горещи поради предадената топлина от приготвяната храна към съдовете. Може да са ви необходими ръкавици, за да хванете съда.
- Съдовете трябва да бъдат проверени, за да се уверите, че са подходящи за употреба в микровълнови фурни.
- Не поставяйте фурната на котлони или други уреди за нагриване. В противен случай, тя може да се повреди, а гаранцията ще е невалидна.
- Микровълновата фурна не трябва да бъде поставяна в шкаф, който не е в съответствието с инструкции за монтаж.
- При отваряне на капака или фолиото след готвене на храна, може да се отдели пара.
- Използвайте ръкавици, когато изваждате каквато и да е гореща храна.
- Уредът и неговите достъпни повърхности може да се сгорещат силно при работата му.
- Вратата и стъклото може да се сгорещат силно при работата на уреда.
- Проверете дали данните за вашето местно електрозахранване отго-

# 1 Важни инструкции за безопасност и опазване на околната среда

- варят на информацията върху табелката с данни.
- Единственият начин да изключите уреда от електрозахранването е да изключите щепсела от контакта.
  - Използвайте уреда само със заземени контакти.
  - Никога не използвайте уреда, ако захранващият кабел или самият уред е повреден.
  - Не използвайте уреда с удължител.
  - Никога не пипайте уреда или щепсела с мокри или влажни ръце.
  - Разположете уреда по такъв начин, че щепселът винаги да е достъпен.
  - За да избегнете риска от повреда на захранващия кабел, внимавайте да не го притискате, огъвате или търкате в остри ръбове. Дръжте захранващия кабел далеч от нагорещени повърхности и открит пламък.
  - Уверете се, че няма никаква опасност кабелът случайно да се измъкне или някой да се спъне в него при ползването на уреда.
  - Изключвайте уреда преди всяко почистване и когато не го използвате.
  - Не дърпайте захранващия кабел на уреда, за да го разкачите от захранването и никога не увивайте кабела около уреда.
  - Не потапяйте уреда, захранващия кабел или щепсела във вода или други течности. Не ги дръжте под течаща вода.
  - Когато загревате храна в пластмасови или хартиени контейнери, проверявайте често фурната заради възможността от запалване.
  - Отстранете телените връзки и/или метални



# 1 Важни инструкции за безопасност и опазване на околната среда

дръжки от пластмасовите или хартиени торби преди да поставите съвместимите такива във фурната.

- Ако видите дим, изключете уреда или го разкачете от мрежата и дръжте врата затворена, за да предотвратите запалване.
- Не използвайте вътрешността на фурната за съхранение на каквото и да е. Не оставяйте хартиени предмети, материали за готвене или храна във фурната, когато тя не се използва.
- Съдържанието на бибероните и бурканите с бебешка храна трябва да бъде разбъркано или разклатено, а температурата трябва да бъде проверена преди консумация с оглед избягване на изгаряния.
- Този уред е Група 2 Клас B ISM оборудване.

Група 2 съдържа всякакви ISM (Промислени, научни и медицински) оборудване, в което се генерира умишлено радиочестотна енергия и/или са използва форма на радиомагнитна радиация за обработка на материал и електроерозионно оборудване.

- Оборудването Клас B е подходящо за употреба в домакинска среда и такава, директно свързана към електрозахранване с ниско напрежение.
- Вратата или външната повърхност на уреда може да се сгорещат при употребата на уреда.
- Течности или друга храна не трябва да бъдат загрявани в затворени контейнери, тъй като има риск от експлозия.
- Загряването на напитки с микровълнова фурна може да доведе до ки-

# 1 Важни инструкции за безопасност и опазване на околната среда

пене с разпръскване наоколо, след изваждането им от фурната; така че бъдете внимателни при държане на контейнерите.

- Не печете нищо във фурната. Горещата мазнина може да повреди компонентите и материалите на фурната и дори може да причини кожни изгаряния.
- Пробита храна с твърда кора като картофи, тиква, ябълки и кестени.
- Уредът трябва да бъде поставен така, че задната страна да сочи към стена.
- Ако вратата или уплътненията ѝ са повредени, фурната не трябва да бъде използвана докато не бъде ремонтирана от квалифицирано лице.
- Преди местене на уреда, моля, осигурете въртящата се поставка, за да предотвратите повреж-

дането ѝ.

- Не използвайте вашата микровълнова фурна за готвене или загряване на несварени яйца с или без черупките.
- Никога не отстранявайте части от задната страна или страниците на уреда, които осигуряват минималните разстояния между стените на шкафа и уреда с оглед осигуряване на адекватна циркулация.
- Микровълновата фурна е предназначен само за враждане.
- Не използвайте уреда за друга цел освен по предназначение.
- Не използвайте уреда като топлоизточник.
- Микровълновата фурна е предназначена само за размразяване, готвене и варене на храна.
- Не гответе храните прекалено много; може да предизвикате пожар.

# 1 Важни инструкции за безопасност и опазване на околната среда

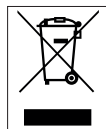
- Не използвайте почистващи препарати с пара за почистване на уреда.
- Трябва да сте особено предпазливи ако използвате уреда в близост до деца или лица с понижени физически, сензорни или умствени способности.
- Уредът може да се използва от деца, които са на възраст над 8 години и от лица с ограничени физически, сензорни или умствени възможности, или които нямат познания и опит, ако те бъдат наблюдавани по отношение на безопасното му използване или са инструктирани и разбират рисковете от използването на продукта. Децата не трябва да играят с уреда. Процедурите за почистване и потребителска поддръжка не трябва да се извършват от деца, освен ако не са контролирани от възрастни.
- Има опасност от задушаване! Дръжте опаковъчните материали далеч от достъпа на деца!
- Позволявайте на деца да използват фурната без надзор, само ако са дадени адекватни инструкции, така че детето да може да използва микровълновата фурна по безопасен начин и да разбира опасностите от неправилната ѝ употреба.
- Поради прекомерната топлина, която се получава в режим грил и комбинация, на децата не трябва да се разрешава да използват тези режими без надзор на възрастен.
- Съхранявайте продукта и неговия захранващ кабел така, че те да не са достъпни за деца на възраст под 8 години.

# 1 Важни инструкции за безопасност и опазване на околната среда

- Уредът и неговите достъпни повърхности може да се сгорещят силно при работата му. Дръжте децата далеч.

## 1.2 Съвместимост с WEEE Директива за ихвърляне на отпадъчни продукти:

Продуктът отговаря на изискванията на директивата на ЕС за ихвърляне на отпадъчни продукти (2012/19/EU). Този продукт носи класификационен символ за отпадъчно електрическо и електронно оборудване (WEEE).



Този символ показва, че продуктът не бива да се изхвърля с друга несортирана битова смет в края на полезния си живот. Използваният уред трябва да се върне в оторизиран пункт за рециклиране на електрически и електронни уреди. За да откриете тези пунктове за събиране, моля обърнете се към местния орган на реда или търговецът, от който е закупен продуктът. Всяко домакинство изпълнява важна роля в събирането и рециклирането на използвани уреди. Правилното ихвърляне на използвани уреди спомага за предотвратяването на потенциални негативни последици върху околната среда и човешкото здраве.

## 1.3 Съвместимост с директивата за ограничаване на употребата на определени опасни вещества

Закупеният от вас продукт отговаря на изискванията на директивата за ограничаване на употребата на определени опасни вещества на ЕС (2011/65/EC). Той не съдържа никой от вредните и забранени материали, описани в Директивата.

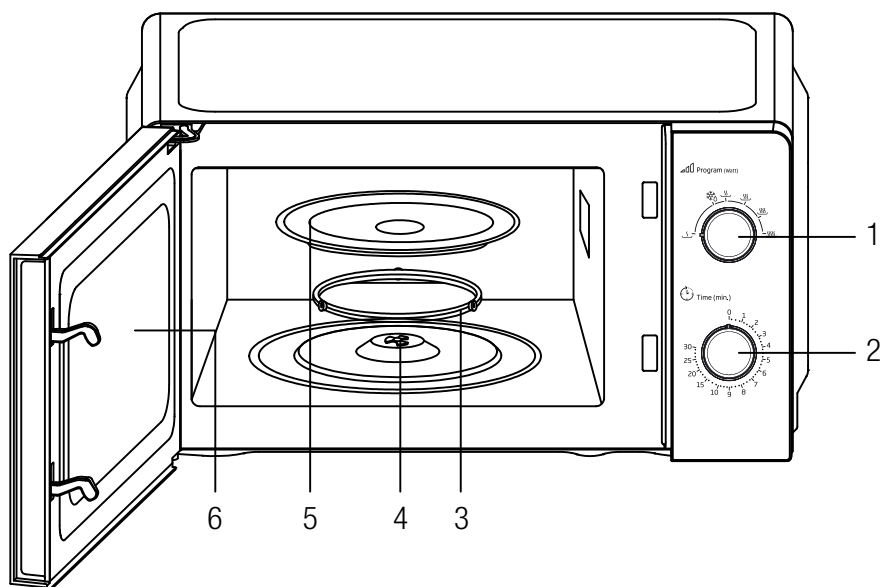
## 1.4 Информация за опаковката



Опаковката на продукта е изготвена от подлежащи на рециклиране материали в съответствие с национално-то ни законодателство. Не изхвърляйте опаковъчните материали с битови или други отпадъци. Отнесете ги в център за събиране на опаковъчни материали, посочен от местните власти.

## 2 Вашата микровълнова фурна

### 2.1 Преглед



### Контролни механизми и части

1. Копче за мощност
2. Копче за таймер
3. Ролков пръстен
4. Вал
5. Стъклена поставка
6. Прозорец на фурната

### 2.2 Технически данни

Номинално напрежение	230-240V~,50Hz
Номинален вход	1100W (Микровълнова)
Номинална мощност	700W
Честота:	2450MHz
Ниво на мощност	6
Външни размери (височина *ширина *дълбочина) мм	243*446*340 мм
Въртящо се стъкло	245 мм
Капацитет на фурната	20 л
Нетно тегло	10 кг
Цвят	Бял / Черен / Сребърен

Техническите права и правата за промяна на дизайна са запазени.

Маркировките върху уреда или стойностите, посочени в други документи, предоставени с продукта, са стойности, получени в лабораторни условия съгласно съответните стандарти. Тези стойности могат да варират в зависимост от употребата на уреда и условията на околната среда.

## 3 Монтаж и свързване

### 3.1 Монтаж

1. Уверете се, че всички опаковъчни материали са отстранени от вътрешната страна на вратата.



**ВНИМАНИЕ:** Проверете фурната за евентуални повреди, като например неподравнена или изкривена врата, повредени уплътнения на вратата и уплътнителната повърхност, счупени или разхлабени панти и ключалки на вратата и вдлъбнатини в кухината или по вратата. Ако има някаква повреда, не използвайте фурната и се обърнете към квалифициран сервизен персонал.

2. Тази микровълнова фурна трябва да бъде поставена върху равна, стабилна повърхност, за да издържи на теглото си и на най-тежката храна, която може да бъде приготвена във фурната.
3. Не поставяйте фурната на места, където се генерират топлина, влага или висока влажност, както и в близост до горими материали.
4. За да работи правилно, фурната трябва да има достатъчен въздушен поток. Оставете 20 см място над фурната, 10 см отзад и 5 см от двете страни. Не покривайте и не запушвайте нито един от отворите на уреда. Не сваляйте крачетата.
5. Не работете с фурната, ако стъклената поставка, ролковия пръстен и валът не са на правилните им места.
6. Уверете се, че охранващият кабел не е повреден и не минава под фурната или над гореща или остра повърхност.

7. Контактът, в който е включен, трябва да бъде лесно достъпен, така че да може да бъде изваден бързо в случай на авария.

8. Не използвайте фурната на открито.

### 3.2 Радио смущения

Работата на микровълновата фурна може да предизвика смущения в работата на вашето радио, телевизор или друго подобно оборудване.

Когато има смущения, те могат да бъдат намалени или отстранени чрез предприемане на следните мерки:

1. Почистете вратата и уплътнителната повърхност на фурната.
2. Пренасочете приемната антена на радиото или телевизията.
3. Преместете микровълновата фурна по отношение на приемника.
4. Преместете микровълновата фурна далеч от приемника.
5. Включете микровълновата фурна в друг контакт, така че микровълновата фурна и приемникът да са в различни електрически вериги.

Проводниците в тази кабелна мрежа са оцветени в съответствие със следния код:

**Зелено и жълто = ЗЕМЯ**

**Синьо = НЕУТРАЛЕН**

**Кафяво = ФАЗА**

### 3.3 Принципи за готвене с микровълнова фурна

1. Подгответе внимателно храната. Поставете оставащите части извън чинията.
2. Обърнете внимание на времето за готвене. Гответе за възможно най-краткото посочено време и до-

## 3 Монтаж и свързване

бавете малко, ако е необходимо. Прекалено много сготвената храна може да причини пушек или да изгори.

3. Покрийте храната по време на готвене. Покривайки храната предотвратявате пръски и помагате да равномерно я приготвяне.
4. Обърнете храна като птиче месо и хамбургери по време на готвене в микровълновата фурна с оглед да ускорите приготвянето на такива храни. Големи храни като печено трябва да бъдат преобръщани поне веднъж.
5. Обърнете храна като кюфтета в средата на цикъла на готвене и разменете местата им от центъра на чинията навън.

### 3.4 Инструкции за заземяване

Този уред трябва да бъде заземен. Тази фурна има заземителен кабел с щепсел. Уредът трябва да бъде включен към стенен контакт, монтиран и заземен правилно. Заземителната система позволява на отвеждане на утечка от електрически ток в случай на късо съединение и намалява риска от електрически удар. Ние препоръчваме да използвате електрическа верига, предназначена само за фурната. Работата с висока напрежение е опасна и може да доведе до пожар или други инциденти, които биха повредили фурната.



#### **ПРЕДУПРЕЖДЕНИЕ:**

Неправилното заземяване на на щепсела може да доведе до електрически удар.



Ако имате някакви въпроси относно заземяването и електро инструкции, моля, консултирайте се с квалифициран електротехник или сервизен персонал.



Производителят и/или дилъра не носят отговорност за наранявания или щети по фурната, които може да са настъпили при неспазване на процедурите за електро свързване.

### 3.5 Ръководство за съдове

1. Микровълните не могат да проникнат през метал. Използвайте само съдове, които са подходящи за употреба в микровълнови фурни. При готвене в микровълнова фурна не се допуска използването на метални съдове за храна и напитки. Това изискване не е приложимо, ако производителят конкретизира размера и формата на металните контейнери подходящи за готвене в микровълновата фурна.
2. Микровълните не могат да проникнат през метала, затова не трябва да се използват метални прибори или съдове с метално покритие.
3. Не използвайте рециклирани хартиени продукти при готвене в микровълновата фурна, тъй като те могат да съдържат малки метални фрагменти, които биха могли да предизвикат искри и/или пожар.
4. Препоръчват се по-скоро кръгли / овални, отколкото квадратни / продълговати съдове, тъй като храната в ъглите има склонност да се превалява.

### 3 Монтаж и свързване

5. Могат да се използват тесни ленти от алуминиево фолио, за да се предотврати прегаряне на откритите участъци. Но внимавайте да не използвате твърде много фолио, както и да спазвате разстояние от 1 инч (2.54 см) между алуминиевото фолио и кухня.

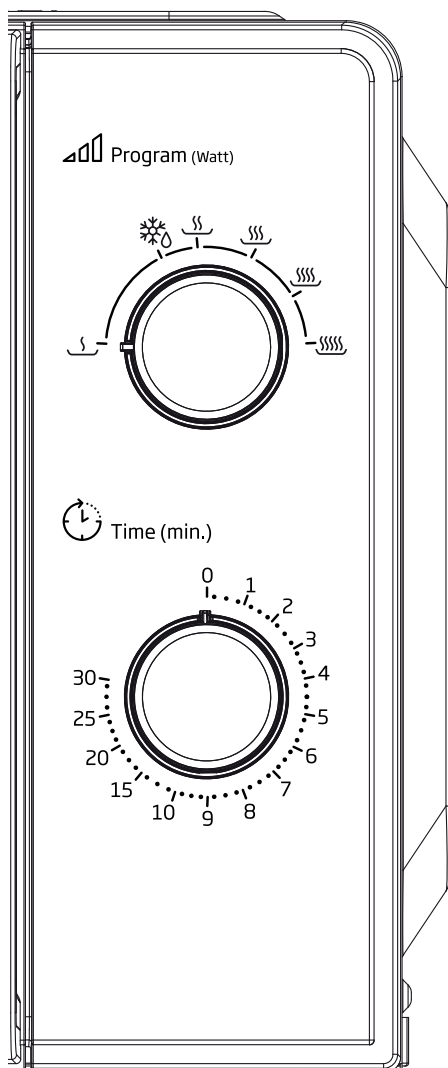
Списъкът по-долу е общо ръководство, което ще ви помогне да изберете подходящите съдове.

Съдове за готвене	Микровълнова печка
Термоустойчиво стъкло	Да
Стъкло, което не е термоустойчиво	Не
Топлоустойчива керамика	Да
Пластмасов съд безопасен за употреба в микровълнова фурна	Да
Кухненска хартия	Да
Метална тава	Не
Метална стойка	Не
Алуминиево фолио и контейнери от фолио	Не



## 4 Работа

### 4.1 Контролен панел



Контролният панел се състои от две функционални копчета. Едното е копче за таймер, а другото - копче за мощност.

#### Копче за мощност

Използвайте това копче за мощност, за да изберете нивото на мощност на готвене. Това е първата стъпка за започване на готвене.

#### Копче за таймер

Предлагат визуални настройки на времето с лесно завъртане на палеца, за да изберете желаното време за готвене до 30 минути на сесия на готвене.

#### Готвене в микровълновата фурна

Микровълновата фурна разполага с шест нива на мощност, чрез които можете да изберете оптимално подходящите температурни условия за готвене.

Нивото на мощност се увеличава със завъртане на копчето по посока на часовниковата стрелка. Нивата на мощност могат да бъдат класифицирани по следния начин:

	Исходна мощност	Описание
1	100%	Високо
2	88%	Средно високо
3	73%	Междинно
4	52%	Средно ниско
5	42%	Размразяване
6	20%	Ниско

### 4.2 Функциониране

За да започнете сесия за готвене,

1. поставете храната във фурната и затворете вратата.
2. Завъртете копчето за мощност (1), за да изберете нивото на мощност.
3. Използвайте копчето за таймер (2), за да зададете времето за готвене

## 4 Работа



Веднага щом включите таймера, фурната започва да готви. Когато избирате време за по-малко от 2 минути, завъртете таймера за 2 минути и след това се върнете към правилното време.



**ВНИМАНИЕ:** Винаги връщайте таймера в нулева позиция, ако храната е извадена от фурната преди изтичане на зададеното време за готвене или когато фурната не се използва. За да спрете фурната по време на процеса на готвене, натиснете бутона за освобождаване на вратата или отворете вратата с дръжката.

## 5 Почистване и поддръжка

### 5.1 Почистване

**ПРЕДУПРЕЖДЕНИЕ:**

Никога не използвайте бензин, разтворител, абразивен почистващ препарат, метални предмети и твърди четки за почистване на уреда.

**ПРЕДУПРЕЖДЕНИЕ:**

Никога не потапяйте уреда и кабела му във вода или друга течност.

1. Изключете уреда и извадете щепсела от контакта.
2. Изчакайте до пълното охлаждане на уреда.
3. Поддържайте вътрешността на фурната чиста. Избършете с влажна кърпа, ако има изпръскана храна или разляла се течност, залепнала по стените на фурната. Може да се използва лек препарат за почистване, ако фурната е много мръсна. Избягвайте спрейове и други силни почистващи препарати, тъй като те може да причинят оцветяване, маркировки и да нарушат прозрачността на повърхността на вратата.
4. Външните повърхности на фурната трябва да бъдат почиствани с влажна кърпа. Не позволявайте навлизането на вода от вентилационните отвори, за да предотвратите повреда на частите на фурната.
5. Избърсвайте често и двете страни на вратата и стъклото, гарнитурите на вратата и частите до нея с оглед отстраняването на запотвяването и пръски. Не използвайте абразивни почистващи препарати.
6. Не се използва парочистачка.
7. Не допускайте намокрянето на контролния панел. Почиствайте с мека влажна кърпа. Оставете вратата на фурната отворена, за да предотвратите неочаквано включване по време на чистене на контролния панел.
8. Ако около и във вратата на фурната се акумулира пара, избършете с мека кърпа. Това може да случи, когато микровълновата фурна е работила при много влажни условия. Това е нормално.
9. В някои случаи, може да трябва да отстраните стъклената поставка за почистване. Измийте поставката с топла сапунена вода или в миялна машина.
10. Ролката и подът на фурната трябва да бъдат почиствани регулярно, за да се избегне прекален шум. Би било достатъчно да избършете долната повърхност на фурната с мек препарат. Ролката може да бъде измита с топла сапунена вода или в миялна машина. Когато отстраните за почистване ролката от пода на фурната се уверете, че сте я монтирали обратно в съответното положение.
11. С оглед отстраняването на лоши миризми във вашата фурна, поставете чаша за вода и обелете лимон в дълбок съд, подходящ за микровълнова фурна и пуснете фурната за 5 минути в микровълнов режим. След това избършете добре и подсушете с мека кърпа.
12. Моля, свържете се с оторизиран сервизен център, когато лампата на фурната трябва да бъде сменена.

## 5 Почистване и поддръжка

13. Фурната трябва да бъде почиствана регулярно и да бъдат отстранявани всякакви останки от храна. Ако фурната не се поддържа чиста, това може да причини дефекти по повърхностите, които да повлияят негативно на експлоатационния живот на уреда и е възможно това да доведе до рискове.
  14. Моля, не изхвърляйте уреда заедно с домакинските отпадъци; старите фурни трябва да бъдат изхвърляни в специални общински центрове.
  15. Когато микровълновата фурна се използва при функция грил, може да има малко количество дим и миризма, която ще изчезне известно време след употреба.
- Изпускането на уреда ще го направи неработещо или ще причини трайни повреди.

### 5.2 Съхранение

- Ако не възнамерявате да използвате уреда за продължителен период от време, моля съхранете го внимателно.
- Моля, уверете се, че уредът е изключен от контакта, охладен и напълно сух.
- Съхранявайте уреда на хладно и сухо място.
- Дръжте уреда далеч от деца.

### 5.3 Манипулиране и транспортиране

- По време на работа и транспортиране носете уреда в оригиналната му опаковка. Опаковката на уреда го предпазва от физически повреди.
- Не поставяйте тежки товари върху уреда или опаковката. Уредът може да се повреди.

## 6 Отстраняване на неизправности

Проблем	Възможно решение
Ако фурната не работи	Проверете дали фурната е добре включена към електрическата мрежа. Ако това не е така, извадете щепсела от контакта, изчакайте 10 секунди и отново го включете хубаво.
	Проверете за изгорял предпазител на веригата или задействан главен прекъсвач. Ако изглежда, че работят правилно, тествайте контакта с друг уред.
	Проверете дали контролния панел е програмиран правилно и дали таймерът е настроен.
	Проверете дали вратата е затворена, като се задейства системата за обезопасяване на вратата. В противен случай микровълновата енергия няма да влиза във фурната.
Ако нито едно от горните действия не отстрани проблема, обърнете се към квалифициран техник. Не се опитвайте да регулирате или ремонтирате фурната сами.	

# Najprej preberite priročnik za uporabo!


Spoštovana stranka,

Zahvaljujemo se vam, da ste se odločili za nakup izdelka Beko. Upamo, da boste dosegli najboljše rezultate vašega aparata, ki je bil izdelan z visoko kakovostjo in najsodobnejšo tehnologijo. Zaradi tega pred uporabo naprave natančno preberite celoten uporabniški priročnik in vse druge priložene dokumente in jih shranite kot referenco za nadaljnjo uporabo. Če napravo predate komu drugemu, mu predajte še uporabniški priročnik. Upoštevajte navodila ter vse informacije in opozorila v uporabniškem priročniku.


Ne pozabite, da lahko ta uporabniški priročnik velja tudi za druge modele. Razlike med posameznimi modeli so natančno navedene v priročniku.

## Pomen Simbolov

Naslednji simboli so uporabljeni v različnih razdelkih tega uporabniškega priročnika:

	Pomembne informacije in uporabni nasveti o uporabi.
--	---

	Opozorila za nevarne situacije, ki zadevajo varnost za življenje in lastnino.
--	---

	Opozorilo za vroče površine.
--	------------------------------

	<b>OPOZORILO:</b> Opozorilo za električni udar.
---	---



**RECIKLIRANI PAPIR in  
PAPIR ZA RECIKLIRANJE**

Ta naprava je bila izdelana v okolju prijaznih in sodobnih proizvodnih obratih, brez povzročanja kakršne koli škode naravi.

---

# 1 Pomembna navodila za varnost in okolje

## Pomembna varnostna navodila natančno preberite in jih shranite za kasnejšo uporabo

### 1.1 Varnostna opozorila

To poglavje vsebuje varnostna navodila, ki vam bodo pomagala pri zaščiti pred požarom, električnim uradom, izpostavljenosti uhajanja mikrovalovom, osebnim poškodbam in materialno škodo. Neupoštevanje teh navodil razveljavi garancijo.

- Mikrovalovna pečica Beko je skladna z varnostnimi standardi, zato mora, v primeru poškodbe naprave ali napajalnega kabla, le to popraviti ali zamenjati prodajalec, servisni center ali strokovnjak in pooblaščen servis, da se izognete nevarnosti. Napačna ali nepooblaščen popravila so lahko nevarna in ogrožajo uporabnika.
- Naprava je namenjena za uporabo v gospodinjstvu in podobnih okoljih, kot so:
  - kuhinje za osebje v trgovinah, pisarnah in drugih delovnih okoljih;
  - kmetijska poslopja
  - hoteli in druga bivalna okolja, kjer jo lahko uporabljajo gostje;
- okolja, kjer ponujajo nočitve z zajtrkom.
- Ni namenjena komercialni ali industrijski uporabi.
- Pečice ne poskušajte zagnati, ko so vrata odprta; če so odprta ste lahko izpostavljeni škodljivi mikrovalovni energiji. Varoval ne smete onemogočiti ali spreminjati.
- Mikrovalovna pečica je namenjena ogrevanju hrane in pijač. Sušenje hrane ali oblačil in ogrevanje grelnih blazinic, copat, gobic, vlažne krpe in podobnega lahko vodi do nevarnosti poškodb, vžiga ali požara.
- Med sprednjo stranjo in vrati pečice ne postavljajte predmetov. Na površinah za zapiranje ne dovolite nabiranja ostankov umazanije ali čistil.
- Vsa servisna dela, ki vključujejo odstranitev pokrova, ki zagotavlja zaščito pred izpostavljenostjo mikrovalovni energiji, morajo opraviti pooblaščen osebe/servis. Vsak drug pristop je nevaren.
- Vaš izdelek je namenjen kuhanju, ogrevanju in odtajanju hrane doma. Ne sme se uporabljati v komercialne namene.
- Vaša pečica ni zasnovana tako, da posuši katero koli živo bitje.
- Naprave ne uporabljajte za sušenje oblačil ali kuhinjskih brisač.

# 1 Pomembna navodila za varnost in okolje

- Naprave ne uporabljajte na prostem, v kopalnicah, v vlažnih okoljih ali na mestih, kjer se lahko zmoči.
- Za škodo, nastalo zaradi zlorabe ali nepravilnega ravnanja z napravo, ne prevzemamo nobene odgovornosti ali garancijskih zahtevkov.
- Naprave nikoli ne poskušajte razstaviti. Garancijski zahtevki za škodo, nastalo zaradi nepravilnega ravnanja, ne bodo sprejeti.
- Uporabljajte samo originalne dele ali dele, ki jih priporoča proizvajalec.
- Med uporabo naprave ne puščajte brez nadzora.
- Napravo vedno uporabljajte na stabilni, ravni, čisti, suhi in nedrseči površini.
- Naprave ne smete uporabljati z zunanjo uro ali ločenim sistemom za daljinsko upravljanje.
- Pred prvo uporabo očistite vse dele. Prosimo, glejte podrobnosti, podane v poglavju "Čiščenje in vzdrževanje".
- Napravo uporabljajte za predviden namen, opisan v tem priročniku.
- Naprava se med uporabo zelo segreje. Pazite, da se ne dotikate vročih delov v pečici.
- Pečice ne uporabljajte prazne.
- Kuhinjski pripomoček je lahko vroč zaradi prehajanja toplote iz ogrete hrane na pripomoček. Morda boste za prijem tega pripomočka potrebovali kuhinjske rokavice.
- Preveriti je potrebno, če so pripomočki primerni za uporabo v mikrovalovnih pečicah.
- Pečice ne postavljajte na štedilnike ali druge naprave za ustvarjanje toplote. V nasprotnem primeru se lahko poškoduje in garancija preneha veljati.
- Po kuhanju hrane lahko med odpiranjem pokrovov ali folije izhaja para.
- Naprava in njene dostopne površine so lahko med delovanjem naprave zelo vroče.
- Vrata in zunanje steklo sta lahko med delovanjem naprave zelo vroča.
- Prepričajte se, da vaše omrežno napajanje ustreza informacijam, navedenim na tipski ploščici naprave.
- Napravo lahko izključite iz električnega napajanja samo tako, da izključite napajalni vtič iz električne vtičnice.
- Napravo uporabljajte samo z ozemljeno vtičnico.



# 1 Pomembna navodila za varnost in okolje

- Naprave nikoli ne uporabljajte, če je napajalni kabel ali naprava sama poškodovana.
- Te naprave ne uporabljajte s podaljškom.
- Naprave ali njenega vtiča se nikoli ne dotikajte z vlažnimi ali mokrimi rokami.
- Napravo postavite tako, da je vtičač vedno dostopen.
- Preprečite poškodbe napajalnega kabla, tako da ga ne stiskate, upogibate ali drgnete ob ostre robove. Napajalni kabel držite stran od vročih površin in odprtega ognja.
- Prepričajte se, da ni nevarnosti, da bi lahko napajalni kabel nenamerno potegnili ven ali da bi se kdo ob njega spotaknil, ko naprava deluje.
- Napravo izključite iz električnega omrežja pred vsakim čiščenjem in kadar naprava ni v uporabi.
- Ne izključite napravo iz napajanja tako, da vlečete za napajalni kabel in nikoli ne ovijajte napajalnega kabla okoli naprave.
- Naprave, napajalnega kabla ali vtiča ne potaplajte v vodo ali druge tekočine. Ne držite jih pod tekočo vodo.
- Pri segrevanju hrane v plastičnih ali papirnih posodah pazite, da ne pride do požara v pečici.
- Preden jih vstavite v pečico, s papirnih in plastičnih posod odstranite žične sponke in/ali kovinske ročaje.
- Če opazite dim, izklopite ali izključite napravo, če je to varno, vrata pustite zaprta, da morebiten plamen ugasne.
- Mikrovalovne pečice ne uporabljajte za shranjevanje. Kadar pečice ne uporabljate, v njej ne puščajte papirja, kuhinjskih sestavin ali hrane.
- Vsebino hrane za dojenčke v stekleničkah in kozarčkih za otroško hrano je treba pred zaužitjem premešati ali pretresti in preveriti temperaturo, da se otrok ne opeče.
- Ta naprava je skupine 2 razred B opreme ISM. Oprema skupine 2 vsebuje vse opreme ISM (industrijska, znanstvena in medicinska), v kateri se radiofrekvenčna energija namenoma ustvarja in/ali uporablja v obliki elektromagnetnega sevanja za obdelavo materiala, in oprema za erozijo isker.
- Oprema razreda B je primerna za uporabo v gospodinjstvu in obratih, ki so neposredno priključeni na nizkonapetostno električno omrežje.

# 1 Pomembna navodila za varnost in okolje

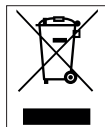
- V pečici ne uporabljajte jedilnega olja. Vroče olje lahko poškoduje komponente in materiale pečice ter lahko povzroči celo opekline kože.
  - Hrano z močno lupino, kot so krompir, bučke, jabolka in kostanj, prebodite.
  - Naprava mora biti postavljena tako, da je zadnja stran obrnjena proti steni.
  - Pred premikanjem naprave zavaruje vrtljivi pladenj, da preprečite škodo.
  - V mikrovalovni pečici ne segrevajte jajc v njihovi lupini ali trdo kuhanih jajc, saj lahko eksplodirajo tudi po tem, ko se segrevanje z mikrovalovi preneha.
- OPOZORILO:** Če so vratca ali tesnila poškodovana, pečice ne uporabljajte, dokler je ne popravi serviser.
- OPOZORILO:** Vsa servisna dela in popravila morajo izvajati usposobljene osebe, ko je pri popravilu treba sneti pokrov, ki varuje pred nevarnim mikrovalovnim sevanjem.
- OPOZORILO:** Tekočini in druge hrane ne segrevajte v zaprtih posodah, saj lahko pride do eksplozije.
- Pečico redno čistite in odstranite vse ostanke hrane.
  - Nad zgornjim delom pečice naj bo min. 20 cm prostega prostora.
  - Ne prekuhajte hrane; v nasprotnem primeru lahko povzročite požar.
  - Za čiščenje naprave ne uporabljajte kemikalij in parnih čistilnikov.
  - Pri uporabi blizu otrok in oseb z omejenimi fizičnimi, senzoričnimi ali duševnimi sposobnostmi je priporočljiva izjemna previdnost.
  - To napravo lahko uporabljajo otroci, starejši od 8 let, in osebe z zmanjšanimi fizičnimi, senzoričnimi ali psihičnimi sposobnostmi ali s pomanjkanjem izkušenj ter znanja, če so pod nadzorom zaradi varne uporabe izdelka ali so prejela navodila o varni uporabi izdelka ter razumejo možne nevarnosti. Otroci se s to napravo ne bi smeli igrati. Otroci ne smejo izvajati čiščenja in vzdrževanja, razen če jih nadzirajo odrasle osebe.
  - **Nevarnost zadušitve!** Ves embalažni material hranite zunaj dosega otrok.
  - Zaradi prekomerne toplote, ki se pojavi v načinu žar in kombiniranih načinih, bi morali otroci uporabljati te načine le pod nadzorom odrasle osebe.
  - Izdelek in njegov napajalni kabel hranite tako, da ne bosta dostopna otrokom, mlajšim od 8 let.

# 1 Pomembna navodila za varnost in okolje

- Hrane ne kuhajte neposredno na stekleni vrtljivi plošči. Hrano položite v/na ustrezne kuhinjske pripomočke, preden jih postavite v pečico.
- Med kuhanjem v mikrovalovni pečici niso dovoljene kovinske posode za hrano in pijačo. V nasprotnem primeru lahko pride do iskrenja.
- Ta izdelek ni zasnovan za vgradnjo. Izdelka ne odlagajte v omarico ali škatlo, medtem ko je v uporabi.

## 1.2 Skladno z direktivo OEE0 in direktivo o odstranjevanju odpadnih naprav:

Ta naprava je skladna z direktivo EU OEE0 (2012/19/EU). Ta izdelek nosi oznako klasifikacije za odpadno električno in elektronsko opremo (WEEE).



Ta oznaka pomeni, da ob koncu njegove življenjske dobe tega izdelka ne smete odstranjevati skupaj z drugimi gospodinjskimi odpadki. Uporabljeno napravo je treba vrniti na uradno točko

za recikliranje električnih in elektronskih naprav.

Za lokacije teh sistemov za zbiranje se obrnite na lokalne organe ali trgovca, kjer ste kupili izdelek. Vsako gospodinjstvo ima pomembno vlogo pri obnovi in recikliranju starih naprav. Primerno odlaganje rabljenih naprav pomaga preprečevati potencialne negativne posledice za okolje in človekovo zdravje.

## 1.3 Skladnost z direktivo RoHS

Izdelek, ki ste ga kupili, je skladen z direktivo EU RoHS (2011/65/EU). Ne vsebuje škodljivih in prepovedanih snovi, navedenih v direktivi.

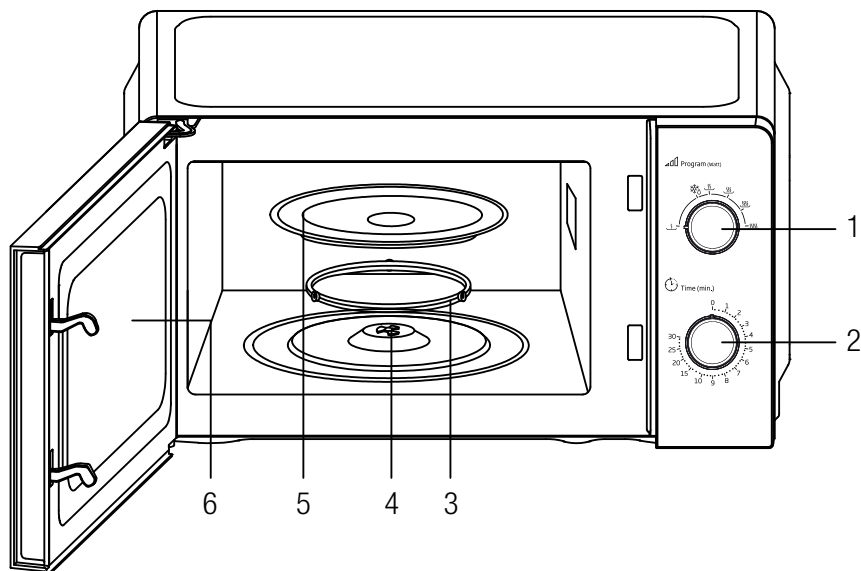
## 1.4 Informacije o embalaži



Embalažni materiali izdelka so izdelani iz materialov, ki jih je mogoče reciklirati, v skladu z nacionalnimi predpisi o okolju. Ne odlagajte embalažnih materialov skupaj z gospodinjskimi ali drugimi odpadki. Peljite jih v zbirne centre za embalažo, pooblašene s strani lokalne uprave.

## 2 Vaša mikrovalovna pečica

### 2.1 Pregled



#### Deli naprave

1. Gumb za vklop
2. Gumb za časovnik
3. Vrtljivi obroček
4. Gred
5. Stekleni pladenj
6. Steklo pečice

#### 2.2 Tehnični podatki

<b>Nazivna napetost</b>	230 – 240 V~, 50 Hz
<b>Nazivni vhod</b>	1100 W (mikrovalovna pečica)
<b>Nazivna moč</b>	700 W
<b>Mikrovalovna frekvenca</b>	2450 MHz
<b>Raven moči mikrovalovne pečice</b>	6
<b>Zunanje mere (V x Š x G) mm</b>	243 x 446 x 340 mm
<b>Steklena vrtljiva plošča</b>	245 mm
<b>Prostornina pečice</b>	20 l
<b>Neto teža</b>	10 kg
<b>Barva</b>	Bela/Črna/Srebrna

Pravice do tehničnih sprememb in sprememb oblikovanja so pridržane.

Oznake na napravi ali vrednosti, navedene v drugih dokumentih, priloženih izdelku, so vrednosti, pridobljene v laboratorijskih pogojih v skladu z ustreznimi standardi. Te vrednosti se lahko razlikujejo glede na uporabo naprave in pogoje okolja.

## 3 Namestitev in povezava

### 3.1 Namestitev

1. Prepričajte se, da je vsa embalaža odstranjena z notranje strani vrat.



**OPOZORILO:** Preverite pečico glede morebitnih poškodb, kot so nepravilna ali upognjena vrata, poškodovana tesnila vrat in tesnilna površina, zlomljeni ali zrahljani tečajji vrat in zapahi ter udrtine v notranjosti ali na vratih. Če je kakšna poškodba, pečice ne uporabljajte in se obrnite na usposobljeno servisno osebje.

2. To mikrovalovno pečico morate postaviti na ravno, stabilno površino, da zadrži svojo težo in najtežjo hrano, ki bo verjetno kuhana v pečici.
3. Pečice ne postavljajte tam, kjer nastajajo toplota, vlaga ali visoka vlažnost ali v bližino vnetljivih materialov.
4. Za pravilno delovanje mora pečica imeti zadosten pretok zraka. Pustite 20 cm prostora nad pečico, 10 cm zadaj in 5 cm na obeh straneh. Ne prekrivajte ali blokirajte nobenih odprtih na napravi. Ne odstranjujte nogic.
5. Pečice ne uporabljajte brez steklenega pladnja, podpornih valjev in gredi v pravilnem položaju.
6. Prepričajte se, da je napajalni kabel nepoškodovan in da ni speljan pod pečico ali čez vročo ali ostro površino.
7. Vtičnica mora biti zlahka dostopna, da je mogoče v sili enostavno odklopiti pečico.
8. Pečice ne uporabljajte na prostem.

### 3.2 Radijske motnje

Delovanje mikrovalovne pečice lahko povzroči motnje v vašem radiu, TV-ju ali podobni opremi. Če pride do motenj, jih je mogoče zmanjšati ali odpraviti z naslednjimi ukrepi:

1. Očistite vrata in tesnilno površino pečice.
2. Preusmerite sprejemno anteno radia ali televizije.

3. Prestavite mikrovalovno pečico glede na sprejemnik.
  4. Odmaknite mikrovalovno pečico stran od sprejemnika.
  5. Vključite mikrovalovno pečico v drugo vtičnico, tako da sta mikrovalovna pečica in sprejemnik v različnih tokokrogih.
- Žice v tem kablu so obarvane v skladu z naslednjo kodo:

**Zelena in rumena = OZEMLJITEV**

**Modra = NEVTRALNO**

**Rjava = FAZA**

### 3.3 Načela kuhanja z mikrovalovi

1. Hrano skrbno pripravite. Preostale dele položite zunaj posode.
2. Bodite pozorni na čas kuhanja. Kuhajte najkrajši določeni čas in po potrebi čas še dodajte. Prekuhana hrana lahko povzroči dim ali opekline.
3. Med kuhanjem hrano pokrijte. Pokrivanje hrane preprečuje pršenje in pomaga, da se hrana enakomerno kuha.
4. Med kuhanjem v mikrovalovni pečici obrnite hrano, kot so perutnina in hamburgerji, da pospešite kuhanje te vrste hrane. Večjo hrano, kot je pečenko, je treba vsaj enkrat obrniti.
5. Hrano, na primer mesne kroglice, sredi kuhanja obrnite in jih tudi prestavljajte od sredine posode proti zunanji steni.

### 3.4 Navodila za ozemljitev

Naprava mora biti ozemljena. Ta pečica ima ozemljitveni kabel z ozemljenim vtičem. Napravo morate priključiti na stensko vtičnico, ki je pravilno nameščena in ozemljena. Sistem ozemljitve omogoča preboj električnega toka v primeru kratkega stika in zmanjšuje tveganje električnega udara. Priporočamo uporabo električnega tokokroga, namenjenega za pečico. Delo z visoko napetostjo je nevarno in lahko povzroči požar ali druge nesreče, ki lahko poškodujejo pečico.

## 3 Namestitev in povezava



**OPOZORILO:** Zloraba ozemljitvenega vtiča lahko povzroči električni udar.



Če imate kakršna koli vprašanja glede ozemljitve in električnih navodil, se posvetujte s kvalificiranim elektrotehnikom ali serviserjem.



Proizvajalec in/ali prodajalec ne prevzema nobene odgovornosti za poškodbe ali škodo na pečici, do katerih lahko pride, če se ne upoštevajo postopki za električno priključitev.

Spodnji seznam je splošen vodnik, ki vam pomaga izbrati prave potrebščine.

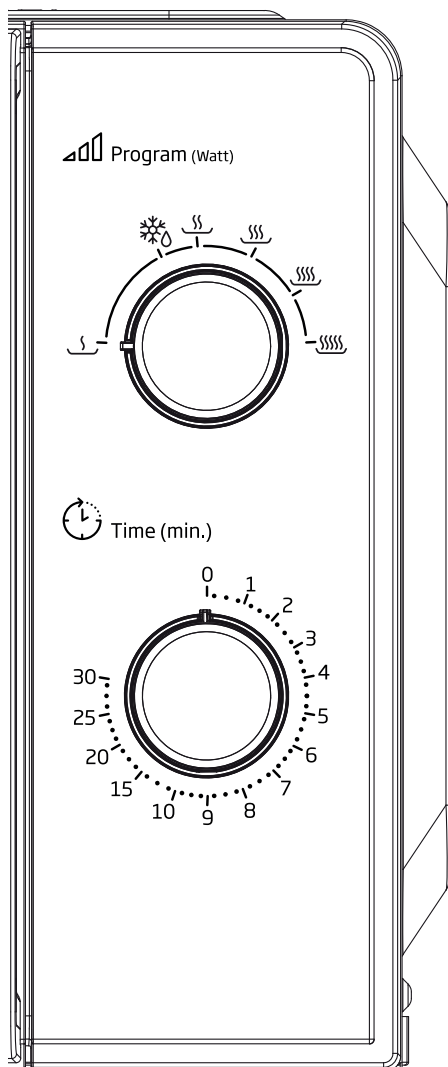
Posoda	Mikrovalovi
Toplotno odporno steklo	Da
Steklo, ki ni toplotno odporno	Ne
Toplotno odporna keramika	Da
Plastična posoda, varna za mikrovalovno pečico	Da
Kuhinjski papir	Da
Kovinski pladenj	Ne
Kovinska mrežica	Ne
Posode iz aluminijaste folije in aluminijasta folija	Ne

### 3.5 Navodila za kuhinjske potrebščine

1. Mikrovalovi ne morejo prodreti v kovino. Uporabljajte samo posodo, ki je primerna za uporabo v mikrovalovni pečici. Med kuhanjem v mikrovalovni pečici niso dovoljene kovinske posode za hrano in pijačo. Ta zahteva ne velja, če proizvajalec določi velikost in obliko kovinskih posod, primernih za kuhanje v mikrovalovni pečici.
2. Mikrovalovi ne morejo prodreti v kovino, zato ne uporabljajte kovinskih pripomočkov ali posode s kovinskimi obrobari.
3. Pri kuhanju v mikrovalovni pečici ne uporabljajte izdelkov iz recikliranega papirja, saj lahko vsebujejo majhne kovinske drobce, ki lahko povzročijo iskre in/ali požar.
4. Priporočljive so okrogle/ovalne posode kot pa kvadratne/podolgovate, saj se hrana v kotih ponavadi prepeče.
5. Ozke trakove aluminijaste folije lahko uporabite za preprečevanje prepečenja v izpostavljenih območjih. Vendar bodite previdni, ne uporabite je preveč in držite razdaljo 1 palca (2,54 cm) med folijo in votlino.

## 4 Delovanje

### 4.1 Nadzorna plošča



Nadzorna plošča je sestavljena iz dveh funkcijskih operaterjev. Eden je gumb za časovnik, drugi pa gumb za vklop.

#### Gumb za vklop

S tem gumbom za vklop izberete stopnjo moči kuhanja. To je prvi korak za začetek kuhanja.

#### Gumb za časovnik

Ponuja vizualne nastavitve časa z enostavnim obračanjem palca, da izberete zeleni čas kuhanja do 30 minut na kuhanje.

#### Kuhanje v mikrovalovni pečici

Za dobro kuhanje v mikrovalovni pečici je na voljo šest stopenj moči, med katerimi lahko izberete eno, ki je najbolj primerna za opravljanje opravila. Raven moči se poveča z vrtenjem gumba v smeri urinega kazalca. Stopnje moči lahko razdelimo na naslednje:

	Izhodna moč	Opis
1	100 %	Visoka
2	88 %	Srednje visoka
3	73 %	Srednja
4	52 %	Srednje nizka
5	42 %	Odtajanje
6	20 %	Nizka

### 4.2 Delovanje

Če želite začeti kuhanje,

1. Postavite hrano v pečico in zaprite vrata.
2. Obrnite gumb za vklop (1), da izberete stopnjo moči.
3. Z gumbom za časovnik (2) nastavite čas kuhanja



Tako, ko obrnete časovnik, pečica začne kuhati. Ko izberete čas za manj kot 2 minuti, zavrtite časovnik za pretekli 2 minuti in se nato vrnite na pravilen čas.



**POZOR:** Vedno vrnite časovnik nazaj v ničelni položaj, če hrano vzamete iz pečice, preden je nastavljen čas kuhanja končan, ali ko pečica ni v uporabi. Če želite pečico med kuhanjem ustaviti, pritisnite gumb za sprostitve vrat ali odprite vrata z kljuko.

## 5 Čiščenje in vzdrževanje

### 5.1 Čiščenje in vzdrževanje



**OPOZORILO:** Za čiščenje naprave ne uporabljajte bencina, topil ali abrazivnih čistil, kovinskih predmetov ali trdih krtač.



**OPOZORILO:** Naprave ali njenega napajalnega kabla nikoli ne potaplajte v vodo ali kakršno koli drugo tekočino.

1. Izklopite napravo in jo izključite iz zidne vtičnice.
2. Počakajte, da se naprava popolnoma ohladi.
3. Naj bo notranjost pečice čista. Ko se hrana ali razlita tekočina prilepi na stene pečice, obrišete z vlažno krpo. Če se pečica resnično umaže, lahko uporabite blago čistilno sredstvo. Izogibajte se uporabi razpršil in drugih agresivnih čistilnih sredstev, saj lahko povzročijo madeže in neprosojnost na površini vratc.
4. Zunanje površine pečice čistite z vlažno krpo. Pazite, da ne pride do vdora vode v prezračevalne odprtine, da ne poškodujete živih delov v notranjosti pečice.
5. Redno brišite obe strani vratc in steklo, tesnila vratc in dele v bližini tesnil z vlažno krpo, da odstranite madeže razlitja. Ne uporabljajte abrazivnih čistilnih sredstev.
6. Parni čistilec se ne uporablja.
7. Pazite, da se upravljalna plošča ne zmoči. Čistite samo z mehko, vlažno krpo. Pustite vratca pečice odprta, da preprečite nenamerno delovanje med čiščenjem upravljalne plošče.
8. Če se znotraj ali okoli vratc pečice nabere para, jo obrišete z mehko krpo. Do tega lahko pride, ko mikrovalovna pečica deluje pod zelo vlažnimi pogoji. To je običajno.
9. V nekaterih primerih boste morali odstraniti stekleni pladenj za čiščenje. Operite pladenj v topli milnici ali v pomivalnem stroju.

10. Ležajni obroč in dno pečice je treba redno čistiti, da se izognemo pretiranemu hrupu. Dovolj je, da spodnjo površino pečice obrišete z blagim čistilnim sredstvom. Ležajni obroč lahko operete v topli milnici ali v pomivalnem stroju. Ko odstranite ležajni obroč iz notranjega dna pečice zaradi čiščenja, bodite pozorni, da ga vrnete v pravilni položaj.
11. Če želite odstraniti neprijetne vonjave v pečici, vanjo postavite globoko posodo, ki je primerna za uporabo v mikrovalovni pečici, vanjo pa dajte kozarec vode, soka in limonin olupek ter pustite pečico delovati 5 minut v načinu mikrovalovne pečice. Nato pa obrišete do suhega z mehko krpo.
12. Ko je treba zamenjati lučko pečice, se obrnite na pooblaščen servis.
13. Redno čistite pečico in iz nje odstranjujte ostanke hrane. Če pečica ni čista, lahko pride do napak na površini, ki lahko vplivajo na življenjski cikel naprave in povzročijo nevarna tveganja.
14. Te naprave ne odlagajte skupaj z gospodinjskimi odpadki; stare pečice je treba odpeljati na posebne zbirne centre, ki jih zagotovijo proizvajalci.
15. Ko se mikrovalovna pečica uporablja v funkciji žara, lahko pride do majhne količine dima in vonja, ki po določenem času uporabe izgine.

### 5.2 Shranjevanje

- Če naprave ne želite uporabljati dlje časa, jo skrbno shranite.
- Prepričajte se, da je naprava izključena iz omrežja, ohlajena in popolnoma suha.
- Napravo hranite na hladnem in suhem mestu.
- Napravo shranjujte izven dosega otrok.



## 5 Čiščenje in vzdrževanje

### 5.3 Ravnanje in transport

- Med rokovanjem in transportom nosite aparat v originalni embalaži. Embalaža aparata ščiti pred fizičnimi poškodbami.
- Na aparat ali embalažo ne postavljajte težkih bremen. Aparat je lahko poškodovan.
- Če aparat pade, bo nedelujoč ali povzročil trajno škodo.

## 6 Odpravljanje težav

Težava	Možna rešitev
Če pečica ne deluje	Preverite, ali je pečica varno priključena. Če ni, izvlecite vtič iz vtičnice, počakajte 10 sekund in ga ponovno varno priključite.
	Preverite, ali je pregorela varovalka ali sprožen glavni odklopnik. Če se zdi, da te delujejo pravilno, preizkusite vtičnico z drugo napravo.
	Preverite, ali je nadzorna plošča pravilno programirana in je časovnik nastavljen.
	Preverite, ali so vrata varno zaprta in vklopite varnostni sistem zaklepanja vrat. V nasprotnem primeru mikrovalovna energija ne bo prišla v pečico.
Če nič od zgoraj navedenega ne odpravi situacije, se obrnite na usposobljenega tehnika. Ne poskušajte sami nastaviti ali popraviti pečice.	

# Molimo Vas, prvo pročitajte uputstvo za upotrebu!





Poštovani korisniče,

Zahvaljujemo Vam za kupovinu ovog Beko uređaja. Nadamo se da ćete dobiti najbolje rezultate od svog uređaja, proizvedenog pomoću najsavremenije tehnologije visokog kvaliteta. Molimo Vas, pažljivo pročitajte celo uputstvo za upotrebu i sve prateće dokumente pre upotrebe uređaja i čuvajte ga u slučaju da Vam zatreba ubuduće.

Ukoliko dajete uređaj nekom drugom, dajte i uputstvo za upotrebu uz uređaj. Poštujte sva upozorenja i informacije iz uputstva.

## Objašnjenje simbola

U uputstvu za upotrebu se koriste naredni simboli:

	Važne informacije i korisni saveti za upotrebu.
	Upozorenje na opasnost po život ili oštećenje imovine.
	Upozorenje na vruće površine.
	Upozorenje na električni udar.



Ovaj uređaj je napravljen najnovijom tehnologijom u uslovima koji nisu štetni po okolinu.

---

# 1 Važna uputstva u vezi sa bezbednošću i zaštitom životne sredine

## Važna bezbednosna uputstva pažljivo pročitajte i sačuvajte za naknadne reference.

### 1.1 Bezbednosna upozorenja

Ovaj odeljak sadrži bezbednosna uputstva koja će vam pomoći da se zaštitite od opasnosti od požara, električnog udara, izlaganja mikrotalasnoj energiji, povreda i oštećenja imovine. Nepoštovanje ovih uputstava poništava odobrenu garanciju.

- Beko mikrotalasne pećnice su u skladu s važećim bezbednosnim standardima; prema tome, u slučaju bilo kakvih oštećenja na uređaju ili kابلu za napajanje, iste treba da popravi ili zameni prodavač, servisni centar ili stručnjak i ovlašćeni servis kako bi se izbegla bilo kakva opasnost. Neispravni ili nekvalifikovani radovi na popravci mogu biti opasni i mogu dovesti do opasnosti za korisnika.
- Ovaj uređaj je namenjen za upotrebu u domaćinstvima i sličnim objektima kao što su:
  - Mala kuhinja za zaposlene u prodavnicama, kancelarijama i drugim radnim okruženjima;

- Seoske kuće.
  - Gosti u hotelima, motelima i drugim stambenim objektima.
  - Za objekte koja nude prenoćište i doručak.
- Nije namenjena za industrijsku upotrebu ili upotrebu u laboratoriji.
  - Ne pokušavajte da uključite pećnicu dok su joj vrata otvorena; u suprotnom možete biti izloženi štetnoj mikrotalasnoj energiji. Sigurnosne brave ne smeju se onemogućavati ili dirati.
  - Mikrotalasna pećnica namenjena je za zagrevanje hrane i pića. Sušenje hrane ili odeće i zagrevanje podmetača za zagrevanje, papuča, sunđera, vlažne krpe i slično može dovesti do opasnosti od povreda, paljenja ili požara.
  - Ne postavljajte nikakve predmete između prednje strane i vrata pećnice. Ne dozvolite da se na površini vrata nakupljaju prljavština ili ostaci sredstva za čišćenje.
  - Bilo koji servisni radovi koji uključuju uklanjanje poklopca koji pruža zaštitu od izlaganja mikrotalasnoj energiji moraju da obavljaju ovlašćena lica/servis. Bilo koji drugi pristup je opasan.

# 1 Važna uputstva u vezi sa bezbednošću i zaštitom životne sredine

- Vaš proizvod je namenjen za kuvanje, grejanje i odmrzavanje hrane kod kuće. Ne sme da se koristi u komercijalne svrhe.
- Vaša pećnica nije dizajnirana za sušenje nijednog živog bića.
- Ne koristite svoj uređaj za sušenje odeće ili kuhinjskih peškira.
- Ne koristite ovaj uređaj na otvorenom, u kupatilima, u vlažnim okruženjima ili na mestima gde se on može navlažiti.
- Ne preuzimamo nikakvu odgovornost niti odštetni zahtjev po osnovu garancije za štete nastale zloupotrebom ili nepravilnim rukovanjem uređajem.
- Nikada ne pokušavajte da rastavite uređaj. Nijesu prihvatljivi odštetni zahtjev po osnovu garancije za štete nastale nepravilnim rukovanjem.
- Koristite samo originalne delove ili delove koje je preporučio proizvođač.
- Ne ostavljajte uređaj bez nadzora dok je u upotrebi.
- Uređaj uvek koristite na stabilnoj, ravnoj, čistoj, suvoj i neklizavoj površini.
- Uređaj ne treba koristiti sa spoljašnjim tajmerom ili zasebnim sistemom daljinske kontrole.
- Pre prve upotrebe uređaja, očistite sve delove. Pogledajte detalje date u odeljku „Čišćenje i održavanje“.
- Upravljajte uređajem prema predviđenoj nameni samo kako je opisano u ovom uputstvu.
- Uređaj postaje veoma vruć dok se koristi. Vodite računa da ne dodirnete vruće delove unutar pećnice.
- Nemojte uređaj uključivati dok je prazan.
- Pribor za kuvanje može se zagrijati zbog topline koja se iz zagrijane hrane prenosi na pribor. Možda će vam biti potrebne rukavice za pećnicu da bi mogli držati pribor.
- Obavezno proverite da li je pribor pogodan za upotrebu u mikrotalasnim pećnicama.
- Ne stavljajte pećnicu na štednjake ili druge aparate koji proizvode toplotu. U suprotnom, može se oštetiti, a garancija postati nevažeća.
- Para može izaći prilikom otvaranja vrata ili folije nakon pripreme hrane.
- Uređaj i njegove pristupne površine mogu biti veoma vruće tokom korišćenja uređaja.
- Vrata i vanjsko staklo mogu biti jako vrući kada se uređaj koristi.
- Vaše mrežno napajanje strujom mora biti u skladu sa informacijama na pločici na uređaju.

# 1 Važna uputstva u vezi sa bezbednošću i zaštitom životne sredine

- Jedini način da isključite uređaj iz napajanja je da uklonite utikač iz utičnice.
- Uređaj koristite samo sa uzemljenom utičnicom.
- Nikada ne koristite uređaj ako je kabl za napajanje ili sam uređaj oštećen.
- Nemojte koristiti uređaj s produžnim kablom.
- Nikada ne dodirujte uređaj ili utikač vlažnim ili mokrim rukama.
- Postavite uređaj na način da utikač bude uvijek dostupan.
- Sprečite oštećenje kabla za napajanje tako što ga nećete stiskati, savijati ili trljati po oštrim ivicama. Držite kabl za napajanje dalje od vrućih površina i izvora plamena.
- Vodite računa da nema opasnosti od toga da neko slučajno povuče kabl za napajanje, ili da se o njega saplete, dok je uređaj u upotrebi.
- Isključite uređaj sa napajanja pre svakog čišćenja i kada uređaj ne koristite.
- Ne povlačite kabl za napajanje uređaja kako biste ga isključili sa napajanja i nikada nemojte da obmotavate kabal oko uređaja.
- Uređaj, kabal za napajanje ili utikač ne potapajte u vodu ili bilo koju drugu tečnost. Ne stavljajte ga pod tekuću vodu.
- Prilikom zagrevanja hrane u plastičnim ili papirnim posudama, nadgledajte mikrotalasnu pećnicu jer postoji mogućnost da se one zapale.
- Sa papirnih ili plastičnih kesa skinite žičane obujmice i/ili metalne drške pre nego što ih stavite u mikrotalasnu pećnicu.
- Ako primetite dim, isključite uređaj ili izvucite utikač sa napajanja, ako se to može uraditi na bezbedan način, i držite vrata zatvorena da biste zagušili eventualni plamen ukoliko postoji.
- Nemojte da koristite prostor u mikrotalasnoj pećnici za čuvanje stvari. Ne ostavljajte papirne predmete, materijal za kuvanje ili hranu u pećnicu kada ista nije u upotrebi.
- Sadržaj flašica i teglica sa hranom za bebe treba da se promeša i promućka i da se proveri temperatura pre konzumiranja da bi se izbegle opekotine.
- Ovaj uređaj je ISM (industrijska, naučna i medicinska) oprema grupe 2 klase B. Grupa 2 sadrži svu ISM (industrijsku, naučnu i medicinsku)

# 1 Važna uputstva u vezi sa bezbednošću i zaštitom životne sredine

opremu u kojoj se radiofrekventna energija namerno generiše i/ili koristi u obliku elektromagnetnog zračenja za obradu materijala, kao i opremu za sprečavanje stvaranja varnica.

- Oprema klase B pogodna je za upotrebu u kućnom okruženju i objektima koji su direktno povezani na mrežu niskog napona.
- e koristite ulje za spremanje hrane u pećnici. Vrelo ulje može oštetiti komponente i materijale pećnice, a može čak i da izazove opekotine na koži.
- Izbockajte hranu koja ima debelu koru kao što su krompir, tikvice, jabuke i kesteni.
- Uređaj mora biti postavljen tako da je zadnja strana okrenuta prema zidu.
- Pre pomeranja uređaja, obezbedite pokretno ležište kako biste sprečili oštećenje.
- Jaja u ljusci i cela tvrdo kuvana jaja ne treba da se zagrevaju u mikrotalasnoj pećnici pošto ona mogu da eksplodiraju, čak i nakon što se zagrevanje u mikrotalasnoj pećnici završi.

**UPOZORENJE:** Ako su vrata ili zapтивke vrata oštećeni, mikrotalasna pećnica ne sme da radi dok je ne popravi stručno lice.

**UPOZORENJE:** Opasno je da nestručna lica sprovode bilo kakve aktivnosti servisiranja ili popravke koje uključuju skidanje obloge koja pruža zaštitu od izlaganja mikrotalasnoj energiji.

**UPOZORENJE:** Tečnosti i druge vrste hrane ne smeju da se zagrevaju u zatvorenim posudama pošto mogu da eksplodiraju.

- Mikrotalasna pećnica treba redovno da se čisti i da se uklanjaju ostaci hrane.
- Treba da se obezbedi najmanje 20 cm slobodnog prostora iznad gornje površine pećnice.
- Nemojte preterano dugo pripremati hranu unutar pećnice; u suprotnom možete izazvati požar.
- Za čišćenje uređaja ne koristite hemikalije i paročištače.
- Savetuje se izuzetna opreznost kada se koristi u blizini dece i osoba sa ograničenim fizičkim, čulnim ili mentalnim sposobnostima.
- Ovaj uređaj mogu koristiti deca u uzrastu od 8 i više godina, kao i osobe sa ograničenim fizičkim, čulnim ili mentalnim sposobnostima ili osobe bez znanja i iskustva, sve dok su pod nadzorom sa ciljem bezbedne upotrebe uređaja, ili su im data adekvatna uputstva

# 1 Važna uputstva u vezi sa bezbednošću i zaštitom životne sredine

odnosno razumiju rizike upotrebe uređaja. Deca ne treba da se igraju s uređajem. Postupke čišćenja i održavanja od strane korisnika ne bi trebalo da obavljaju deca, osim pod nadzorom odrasle osobe.

- **Opasnost od gušenja!** Ambalažu držite van domašaja dece.
- Zbog prekomerne toplote koja nastaje prilikom režima grilovanja i kombinovanog režima, deci treba dozvoliti da ih koriste samo pod nadzorom odrasle osobe.
- Uređaj i kabal za napajanje držite van domašaja dece uzrasta ispod 8 godina.
- Ne spremajte hranu direktno na staklenom plehu. Pre stavljanja u pećnicu, stavite hranu u/na odgovarajuću kuhinjsku posudu.
- Metalne posude za hranu i pića nisu dozvoljene tokom spremanja hrane u mikrotalasnoj pećnici. U suprotnom može doći do stvaranja varnica.
- Ovaj proizvod nije dizajniran za ugradnju. Ne stavljajte proizvod u ormar ili kutiju dok je u upotrebi.

## 1.2 Usaglašenost sa WEEE direktivom i odlaganje otpada:

Ovaj proizvod je usaglašen sa WEEE direktivom Evropske unije (2012/19/EU). Ovaj proizvod nosi simbol klasifikacije za odlaganje električne i elektronske opreme (WEEE).



Ovaj simbol označava da se ovaj proizvod ne sme odlagati zajedno s ostalim kućnim otpadom na kraju njegovog radnog veka. Korišćeni aparat mora se vratiti na službeno sabirno mesto za recikliranje električnih i elektronskih uređaja. Da biste pronašli ove sisteme za sakupljanje, obratite se lokalnim nadležnim telima ili prodavcu gde je proizvod kupljen. Svako domaćinstvo igra važnu ulogu u obnavljanju i recikliranju starog aparata. Odgovarajuće odlaganje korišćenog uređaja pomaže u sprečavanju potencijalnih negativnih posledica po životnu sredinu i zdravlje ljudi.

## 1.3 Usklađenost sa RoHS Direktivom

Proizvod koji ste kupili u saglasnosti je sa RoHS Direktivom Evropske unije (2011/65/EU). On ne sadrži štetne i zabranjene materijale navedene u Direktivi.

## 1.4 Informacije o pakovanju

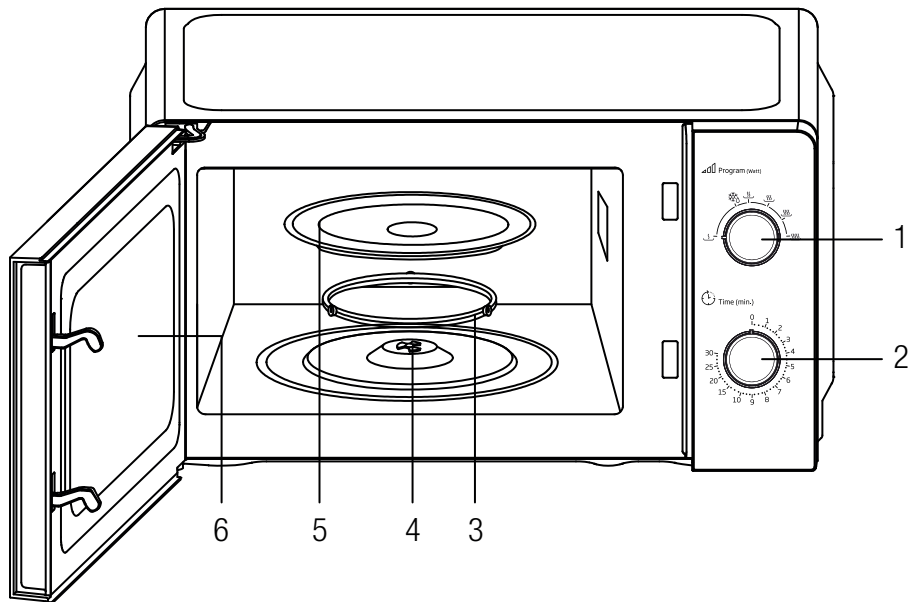


Ambalažni materijali ovog proizvoda su napravljeni od materijala koji mogu da se recikliraju u skladu sa nacionalnim propisima o zaštiti životne sredine.

Ambalažne materijale ne odlagati zajedno sa kućnim ili drugim otpadom. Onesite ih na mesta za prikupljanje ambalažnog materijala određena od strane lokalnih nadležnih tela.

## 2 Vaša mikrotalasna pećnica

### 2.1 Pregled



### Kontrolni instrumenti i delovi

1. Okruglo dugme za uključivanje/isključivanje
2. Okruglo dugme za tajmer
3. Rotirajući prsten
4. Osovina
5. Stakleni pleh
6. Otvor rerne

### 2.2 Tehnički podaci

<b>Nominalni napon</b>	230-240V~,50Hz
<b>Nominalni ulaz</b>	1100W (mikrotalasna)
<b>Nominalni izlaz</b>	700W
<b>Frekvencija mikrotalasne rerne</b>	2450MHz
<b>Nivo snage mikrotalasne rerne</b>	6
<b>Spoljašnje dimenzije (V*Š*D) mm</b>	243*446*340 mm
<b>Stakleni okretni pleh</b>	245 mm
<b>Zapremina rerne</b>	20 l
<b>Neto težina</b>	10 kg
<b>Boja</b>	Bela / crna / srebrna

Zadržavamo prava na tehničke modifikacije i modifikacije u dizajnu.

Oznake na uređaju ili vrednosti navedene u drugim dokumentima koji se isporučuju uz proizvod su vrednosti dobijene u laboratorijskim uslovima prema odgovarajućim standardima. Ove vrednosti mogu da variraju prema upotrebi uređaja i uslovima sredine.



## 3 Ugradnja i povezivanje

### 3.1 Instalacija

1. Uverite se da su svi ambalažni materijali uklonjeni sa unutrašnje strane vrata.



**UPOZORENJE:** Proverite da li rerna ima neka oštećenja, kao što su pogrešno postavljena ili savijena vrata, oštećene zaptivke na vratima i zaptivne površine, slomljene ili labave šarke vrata i zasuni i udubljenja na unutrašnjim površinama ili na vratima. Ako dođe do oštećenja, nemojte uključivati rernu i kontaktirajte kvalifikovano servisno osoblje.

2. Ova mikrotalasna rerna mora biti postavljena na ravnu, stabilnu površinu koja može da drži težinu rerne i najtežu hranu koja će da se sprema u rerni.
3. Ne postavljajte rernu na mesta gde se stvara toplota, vlaga ili gde je visoka vlažnost vazduha ili blizu zapaljivih materijala.
4. Da bi ispravno radila, rerna mora imati dovoljan protok zraka. Ostavite 20 cm prostora iznad rerne, 10 cm iza i 5 cm s obe strane. Nemojte pokrivati niti blokirati otvore na uređaju. Ne skidajte nogice postolja.
5. Nemojte uključivati rernu bez staklenog pleha, nosača valjka i osovine u odgovarajućim položajima.
6. Vodite računa da kabal za napajanje nije oštećen i da nije postavljen ispod rerne ili preko zagrejanih ili oštih površina.
7. Utičnica mora biti lako dostupna tako da se može lako isključiti u hitnim slučajevima.
8. Rernu nemojte koristiti na otvorenom.

### 3.2 Radio smetnje

Rad mikrotalasne rerne može prouzrokovati smetnje na radio uređajima, televizorima i sličnim uređajima.

U slučaju bilo kakvih smetnji, iste se mogu umanjiti ili eliminisati preduzimanjem sledećih mera:

1. Očistite vrata i zaptivnu površinu rerne.

2. Preusmerite prijemnu antenu radija ili televizije.
3. Pomerite mikrotalasnu rernu u odnosu na prijemnik.
4. Postavite mikrotalasnu rernu dalje od prijemnika.
5. Uključite mikrotalasnu rernu u drugu utičnicu tako da mikrotalasna rerna i prijemnik budu na različitim strujnim kolima.

Žice u ovom glavnom kablju su obojene u skladu sa sledećim kodom:

**Zelena i žuta = UZEMLJENJE**

**Plava = NULA**

**Braon = FAZA**

### 3.3 Princip spremanja hrane u mikrotalasnoj pećnici

1. Pažljivo pripremite hranu. Ostatke stavite u posudu van tanjira.
2. Obratite pažnju na vreme kuvanja. Postavite najkraće preporučeno vreme i ako je potrebno nakon toga dodajte više vremena. Prepečena hrana može izazvati pojavu dima ili može izgoriti.
3. Pokrijte hranu tokom kuvanja. Pokrivanjem hrane sprečavate prskanje i hrana se kuva ravnomerno.
4. Okrenite hranu poput živine i hamburgera tokom kuvanja u mikrotalasnoj pećnici kako biste ubrzali kuvanje ove vrste hrane. Veći komadi hrane poput pečenja se moraju okrenuti makar jednom.
5. Hranu poput ćufti okrenite na sredini pečenja i promenite im mesto tako da umesto u sredini leže u spoljašnjem delu tanjira.

### 3.4 Uputstva za uzemljenje

Ovaj uređaj se mora uzemljiti. Pećnica poseduje kabl i utikač sa uzemljenjem. Uređaj se mora priključiti u utičnicu u zidu i pravilno uzemljiti. Sistem uzemljenja omogućava odvod električne enetgije u slučaju kratkog spoja i smanjuje opasnost od strujnog udara. Preporučujemo upotrebu strujnog kola adekvatnog za pećnicu. Rad sa visokim naponom

## 3 Ugradnja i povezivanje

je opasan i može izazvati požar ili druge nezgod koje mogu oštetiti mikrotalasnu pećnicu.



**UPOZORENJE:** Pogrešna upotreba uzemljenog utikača može izazvati strujni udar.



Ako imate pitanja o uzemljenju i električnim instalacijama, molimo Vas, konsultujte se sa kvalifikovanim električarem ili osobljem servisa.



Proizvođač i/ili distributer neće prihvatiti odgovornost za povrede ili štetu koja nastane usled nepoštovanja procedura povezivanja na struju.

Lista u nastavku je opšti vodič koji će vam pomoći da odaberete pravi kuhinjski pribor.

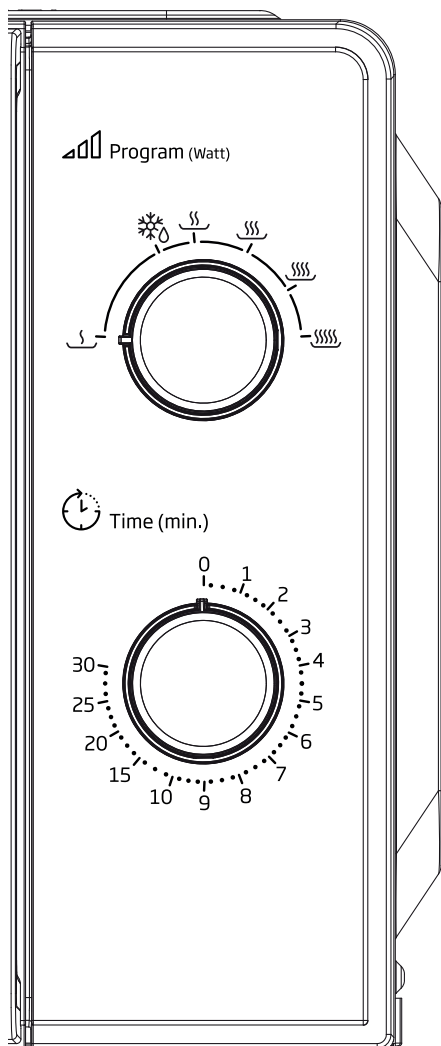
Spremanje hrane u posuđu	Mikrotalasi
Staklo otporno na toplotu	Da
Staklo koje nije otporno na toplotu	Ne
Keramika otporna na toplotu	Da
Plastično posuđe za mikrotalasnu renu	Da
Papir za pečenje	Da
Metalni pleh	Ne
Metalna rešetka	Ne
Aluminijska folija i posude od folije	Ne

### 3.5 Vodič za kuhinjski pribor

1. Mikrotalasna ne može da emituje talase kroz metal. Koristite samo pribor koji je pogodan za upotrebu u mikrotalasnim rearnama. Metalne posude za hranu i pića nisu dozvoljene tokom spremanja hrane u mikrotalasnoj pećnici. Ovaj zahtev nije primenljiv ako proizvođač odredi veličinu i oblik metalnih posuda pogodnih za kuvanje u mikrotalasnoj rearni.
2. Mikrotalasna rearna ne može da emituje talase kroz metal, tako da ne treba koristiti metalni pribor ili posuđe sa metalnim ukrasima.
3. Ne koristite reciklirane papirne proizvode tokom pripreme hrane u mikrotalasnoj rearni jer mogu sadržavati male metalne delove koji mogu izazvati varnice i/ili požar.
4. Preporučuju se okrugle/ovalne posude a ne četvrtaste/duguljaste, jer hrana u uglovima ima tendenciju da se prekuva.
5. Uske trake aluminijumske folije mogu se koristiti da bi se sprečilo prekuvanje na izloženim mestima. Ali budite oprezni, nemojte ih koristiti previše i držite ih na rastojanju od 1 inča (2,54 cm) između folije i unutrašnih površina rearne.

## 4 Rad

### 4.1 Kontrolna tabla



Kontrolna tabla se sastoji od dva funkcijska operatora. Jedno je okruglo dugme za tajmer, a drugo je okruglo dugme za uključivanje/isključivanje.

#### **Okruglo dugme za uključivanje/isključivanje**

Koristite ovo dugme za napajanje da izaberete nivo snage kuvanja. To je prvi korak za početak sesije kuvanja.

#### **Okruglo dugme za tajmer**

Nudi se vizuelno podešavanje vremena jednostavnim okretanjem palca da biste izabrali željeno vreme kuvanja do 30 minuta po sesiji kuvanja.

#### **Spremanje hrane u režimu mikrotalasa**

Za čisto kuvanje u mikrotalasnju rerni, postoji šest nivoa snage od kojih možete izabrati onaj koji vam najbolje odgovara.

Nivo snage se povećava okretanjem okruglog dugmeta u smeru kazaljke na satu. Nivoi snage se mogu klasifikovati na sledeći način:

	<b>Izlazna snaga</b>	<b>Opis</b>
1	100%	Jako
2	88%	Srednje jako
3	73%	Srednje
4	52%	Srednje slabo
5	42%	Odmrzavanje
6	20%	Slabo

### 4.2 Rad

Da biste započeli sesiju kuvanja,

1. stavite hranu u rernu i zatvorite vrata.
2. Okrenite okruglo dugme za uključivanje/isključivanje (1) da biste izabrali nivo snage.
3. Koristite okruglo dugme tajmera (2) da podesite vreme kuvanja



Čim se tajmer okrene, rerna počinje da kuva. Kada izaberete vreme manje od 2 minuta, okrenite tajmer do posle 2 minuta, a zatim se vratite na vreme koje želite.



**OPREZ:** Uvek vratite tajmer na nultu poziciju ako se hrana izvadi iz rerne pre nego što je podešeno vreme kuvanja završeno ili kada rerna nije u upotrebi. Da biste zaustavili rernu tokom procesa kuvanja, pritisnite dugme za otpuštanje vrata ili otvorite vrata pomoću ručke.

# 5 Čišćenje i održavanje

## 5.1 Čišćenje i održavanje



**UPOZORENJE:** Nikada ne koristite benzin, rastvarače, abrazivna sredstva za čišćenje, metalne predmete ili tvrde četke za čišćenje uređaja.



**UPOZORENJE:** Nikada ne uranjajte uređaj ili strujni kabl u vodu ili neku drugu tečnost.

1. Isključite uređaj iz struje i izvucite utikač iz utičnice u zidu.
2. Začekajte da se uređaj potpuno ohladi.
3. Održavajte unutrašnjost pećnice čistom. Brišite vlažnom krpom ako se rasipana hrana ili tečnost zalepe za zidove pećnice. Koristite blag deterdžent ako se pećnica dosta zaprlja. Izbegavajte sprejeve i gruba sredstva za čišćenje jer mogu izazvati fleke, ogrebotine ili tamnjenje površina na vratima.
4. Spoljašnje površine pećnice se moraju čistiti vlažnom krpom. Ne dozvolite da voda proдре u ventilacione otvore kako se delovi pećnice ne bi oštetili.
5. Često brišite obe strane vrata i staklo, gume na vratima i delove uređaja u blizini gume vlažnom krpom, kako biste uklonili fleke od prskanja. Ne koristite abrazivna sredstva za čišćenje.
6. Parni čistač se ne koristi.
7. Ne dozvolite da se kontrolna tabla nakvasi. Čistite je mekom vlažnom krpom. Ostavite otvorena vrata pećnice kako ne biste slučajno uključili neku funkciju dok čistite kontrolnu tablu.
8. Ako se para nakupi unutar ili oko vrata pećnice, obrišite vlagu mekom krpom. To se može desiti kada mikrotalasna pećnica radi u vlažnim uslovima. Ovo je sasvim normalno.
9. U nekim slučajevima ćete morati da skinete stakleni tanjir i očistite ga. Operite tanjir u toploj vodi sa sapunicom ili u mašini za pranje sudova.
10. Prsten i plafon pećnice se moraju redovno čistiti kako se ne bi javljala buka. Dovoljno je obrisati površinu mekom krpom sa blagim deterdžentom. Prsten se može prati u vodi sa sapunicom ili u mašini za pranje sudova. Kada skinete prsten iz pećnice radi čišćenja, proverite dali ste ga pravilno vratili na mesto.
11. Kako biste uklonili neprijatne mirise iz pećnice, stavite čašu vode sa korom i sokom limuna u duboku posudu koja se može koristiti u mikrotalasnoj pećnici i uključite pećnicu na 5 minuta u režimu mikrotalasne pećnice. Dobro obrišite i osušite mekom krpom.
12. Molimo Vas, kontaktirajte ovlašćenog servisera ukoliko je potrebno da se zameni sijalica u pećnici.
13. Pećnica se mora redovno čistiti i potrebno je ukloniti sve ostatke hrane. Ako pećnica nije čista, može doći do oštećenja površina, što može uticati na vek trajanja pećnice i izazvati mogući rizik za korisnika.
14. Molimo Vas, ne bacajte stari uređaj sa običnim otpadom iz domaćinstva; stare pećnice je potrebno odnesti u centre za reciklažu.
15. Kada se mikrotalasna pećnica koristi sa funkcijom grila, može se javiti mala količina dima i mirisa koji će nestati nakon određenog vremena korišćenja.

## 5.2 Čuvanje

- Ako ne planirate da koristite uređaj duže vreme, molimo Vas da ga pažljivo odložite.
- Molimo vas, proverite da li je uređaj isključen, hladan i potpuno suv.
- Ostavite uređaj na suvo i hladno mesto.
- Držite uređaj van domašaja dece.

## 5 Čišćenje i održavanje

### 5.3 Baratanje i transport

- Tokom premeštanja i transporta nosite uređaj spakovan u originalnu ambalažu. Ambalaža štiti uređaj od fizičkih oštećenja.
- Ne stavljajte teret na uređaj ili na ambalažu. Uređaj se može oštetiti.
- Pazite da Vam uređaj ne padne na pod, jer to može izazvati trajna oštećenja i kvar uređaja.

## 6 Pomoć u rešavanju problema

Problem	Moguće rešenje
Ako rena ne radi	Proverite da li je pećnica bezbedno priključena. Ako nije, izvadite utikač iz utičnice, sačekajte 10 sekundi i ponovo ga bezbedno uključite.
	Proverite da li je pregoreo osigurač ili glavni prekidač. Ako se čini da rade ispravno, testirajte utičnicu drugim uređajem.
	Proverite da li je kontrolna tabla pravilno programirana i da je tajmer podešen.
	Proverite da li su vrata dobro zatvorena uključivanjem sigurnosnog zaključavanja vrata. U suprotnom, mikrotalasna energija neće cirkulisati u reni.
Ako ništa od gore navedenog ne popravi situaciju, kontaktirajte kvalifikovanog tehničara. Ne pokušavajte sami da podesite ili popravite pećnicu.	

# Ве молиме прво прочитајте го ова упатство за употреба!

Почитуван кориснику,

Ви благодариме што избравте апарат од марката Веко. Се надеваме дека добро ќе Ви користи овој уред, кој е произведен со висок квалитет и според најнова технологија. За таа цел, Ве молиме внимателно да го прочитате ова упатство за употреба и другите приложени документи пред да го користите производот и чувајте ги во случај на потреба. Ако го дадете производот на друго лице, дајте му го и упатството за употреба. Следете ги препораките со тоа што ќе обрнете внимание на сите информации и предупредувања наведени во ова упатство.

Запамтете, ова упатство за употреба може да важи и за други модели. Разликите меѓу модели се јасно опишани во ова упатство.

## Значења на симболите

Во различни делови од ова упатство се употребени следниве симболи:



Важни информации и корисни совети во врска со користењето на апаратот.



Предупредувања во врска со опасни ситуации поврзани со безбедноста на човечкиот живот и на материјалниот имот.



Предупредување за жешки површини.



Предупредување за струен удар.



РЕЦИКЛИРАНА  
РЕЦИКЛИРАЧКА  
ХАРТИЈА

# 1 Важни упатства за безбедноста и заштитата на околината

## Важни упатства за безбедноста Прочитајте внимателно и чувајте во случај да Ви затреба

### 1.1 Предупредувања за безбедно користење

Овој дел содржи упатства за безбедноста што ќе помогнат да не дојде до пожар, електричен удар, изложеност на пропуштена микробранова енергија, физички повреди или оштетување на материјалниот имот. Ако не се следат овие упатства гаранцијата ќе изгуби важност.

- Производите на Веко се во согласност со важечките стандарди за безбедност; затоа, во случај на оштетување на апаратот или на електричниот кабел, треба да ги поправи или замени продажниот салон, сервисниот центар или некое стручно лице или овластен сервис за да

не се предизвика некаква штета. Поради погрешни или нестручни поправки може да биде доведен во опасност корисникот на уредот.

- Овој уред е наменет за употреба во домаќинството или на места како што се:
  - Чајни кујни за вработените во продавници, канцеларии и други работни простории;
  - Фарми;
  - За посетителите во хотелите и во други објекти за сместување;
  - Пансиони и разни ноќевалишта.
- Не е наменет за индустриска или лабораториска употреба.
- Не се обидувајте да ја вклучите печката додека вратата е отворена; во спротивно може да бидете изложени на штетна микробранова енергија. Функциите за заклучување поради безбедност не треба да се попречуваат или да се расипуваат.

# 1 Важни упатства за безбедноста и заштитата на околината

- Микробрановата печка е наменета за загревање на храна и пијалаци. Сушењето на храна или облека и загревањето на електрични перничиња, папучи, сунѓери, мокри крпи и слично може да доведе до опасност од повреда, запалување или пожар.
- Не ставајте никакви предмети меѓу предната страна и вратата на микропечката. Не дозволувајте никаква нечистотија или остатоци од средства за чистење да се насоберат на површините за затворање.
- Секое сервисирање што вклучува отстранување на капакот што обезбедува заштита од изложеност на микробранова енергија мора да ја извршува овластено лице/сервис. Опасно е некој друг да го прави тоа.
- Овој апарат е наменет за готвење, загревање и одмрзнување на храна дома. Не смее да се користи за комерцијални цели.
- Микропечката не е наменета за сушење на некое живо суштество.
- Не ја користете микропечката за сушење на алишта или кујнски крпи.
- Не ја користете микропечката надвор, во купатила, влажни средини или на места каде што може да се намокри.
- Не сносиме никаква одговорност и гаранцијата нема да важи ако настанат оштетувања поради погрешна употреба или неисправно ракување со апаратот.
- Не се обидувајте да го расклопите апаратот. Гаранцијата нема да важи ако апаратот се оштети поради неисправно ракување.
- Користете ги само оригиналните делови или деловите што ги препорачува производителот.
- Не го оставајте апаратот без надзор додека работи.
- Секогаш користете го апаратот на стабилна, рамна,



# 1 Важни упатства за безбедноста и заштитата на околината

- чиста, сува и нелизгава површина.
- Со апаратот не треба да се управува со надворешен тајмер или со одвоен систем за далечинско управување.
- Пред да го користите апаратот за првпат, исчистете ги сите делови. Видете ги упатствата дадени во делот “Чистење и одржување”.
- Ракувајте со уредот само во склад со неговата намена, како што е опишано во ова упатство.
- Апаратот многу се загрева додека се користи. Внимавајте да не ги допирате жешките делови во микропечката.
- Не работете со микропечката додека е празна.
- Приборот за готвење може да се загрее поради топлината што се пренесува од загреаната храна до приборот. Можеби ќе ви требаат ракавици за рерна за да го факате приборот.
- Треба да се провери дали приборот е погоден за употреба во микробранова печка.
- Не го ставајте апаратот на печка или на други уреди што создаваат топлина. Во спротивно може да се оштети и гаранцијата нема да важи.
- Може да излезе пареа кога ќе се тргне капакот или фолијата по готвењето на храната.
- Апаратот и неговите пристапни површини може да бидат многу жешки додека се користи апаратот.
- Вратата и надворешното стакло може да бидат многу жешки додека се користи апаратот.
- Проверете дали напојувањето од струјната мрежа е во склад со податоците што се наведени на металната етикета на апаратот.
- Единствен начин да се исклучи апаратот од струјната мрежа е да се извади приклучокот од штекерот.

# 1 Важни упатства за безбедноста и заштитата на околината

- Користете го апаратот само со заземјен штекер.
- Не го користете апаратот ако електричниот кабел или самиот апарат се оштетени.
- Апаратот не смее да се користи со продолжен кабел.
- Никогаш не го допирајте апаратот или неговиот приклучок со влажни или мокри раце.
- При поставувањето на уредот водете сметка штекерот секогаш да биде пристапен.
- За да не се оштети електричниот кабел не треба се гмечи, витка или трие од остри рабови. Кабелот треба да биде што подалеку од жешки површини и од отворен пламен.
- Внимавајте некој случајно да не го извлече или стапне електричниот кабел додека работи апаратот.
- Извадете го приклучокот од штекерот пред секое чистење на апаратот и додека не го користите.
- Не го влечете електричниот кабел на апаратот за да го исклучите од електричната мрежа и не го мотајте околу апаратот.
- Не го потопувајте апаратот, електричниот кабел или приклучокот во вода или во некоја друга течност. Не го ставајте под млаз вода.
- Кога загревате храна во пластични или хартиени садови, држете ја на око микрорпечката поради тоа што постои можност да се запали.
- Извадете ги металните жички и/или дршки на хартиените или пластичните ќеси пред да ги ставите во микрорпечката.
- Ако забележите чад, исклучете го апаратот или, ако е безбедно, извадете го приклучокот од штекерот и оставете ја вратата затворена за да се задушат евентуалните пламења.
- Не ја користете микробрановата печка за да чувате нешто во неа.

# 1 Важни упатства за безбедноста и заштитата на околината

Не оставајте хартиени предмети, материјали за готвење или храна во микропечката додека не се користи.

- Содржината на шишенцата и тегличките со бешка храна треба да се измеша или протресе и да им се провери температурата пред конзумирањето за да не дојде до изгореници.
- Овој апарат спаѓа во опрема од Група 2 Класа B ISM. Група 2 ја содржи сета ISM (индустриска, научна и медицинска) опрема во која радиофреквенцијата намерно се создава и/или се користи во облик на електромагнетно зрачење за обработка на материјали и за опрема за ерозија на искра.
- Опремата од Класа B е погодна за употреба во домаќинства и установи кои се директно поврзани со доводна електрична мрежа со низок напон.
- Не користете масло за готвење во микропечката.

Врелото масло може да ги оштети елементите и материјалите на печката, а може да предизвика и изгореници на кожата.

- Избоцкајте ја храната што има тенка лушпа, како што се компирите, тиквичките, јаболката и костените.
- Наместете го апаратот во таква положба што неговата задна страна ќе биде свртена кон ѕидот.
- Пред да го поместувате апаратот, прицврстете ја вртливата плоча за да не се оштети.
- Јајца со лушпа и цели тврдо варени јајца не смеат да се загреваат во микробранови печки бидејќи може да експлодираат, дури и откако микробрановото загревање престанало.

**ПРЕДУПРЕДУВАЊЕ:** Ако вратата или дихтунзите на вратата се оштетени, микропечката не смее да се користи сè додека не ја поправи стручно лице.

**ПРЕДУПРЕДУВАЊЕ:** Опасно е некој друг освен

# 1 Важни упатства за безбедноста и заштитата на околината

стручно лице да извршува некакво сервисирање или поправка што вклучува отстранување на капак што обезбедува заштита од изложеност на микробранова енергија.

## **ПРЕДУПРЕДУВАЊЕ:**

Течности и друга храна не смеат да се загреваат во запечатени садови бидејќи може да експлодираат.

- Микроречката треба редовно да се чисти и сите остатоци од храна треба да се отстрануваат.
- Треба да има најмалку 20 cm слободен простор над горната површина на микроречката.
- Не ја гответе храната премногу долго време бидејќи може да се потпали.
- Не го чистете апаратот со хемикалии и со средства за чистење со помош на параа.
- Потребно е многу да внимавате кога го користите апаратот во близина на деца и лица што имаат намалени физички, сетилни или умствени способности.

- Овој уред може да го користат деца над 8 години, како и лица со намалени физички, сетилни или умствени способности или не се доволно искусни и упатени, но само ако се под нечиј надзор или ако се запознаени со упатствата во врска со безбедното користење на производот и со опасностите што се вклучени притоа. Децата не смеат да си играат со апаратот. Чистењето и одржувањето не треба да го извршуваат деца освен ако не се под надзор на некој возрасен.

- **Опасност од задушвање!** Сите материјали од амбалажата треба да бидат подалеку од деца.

- Поради преголемата топлина што настанува кога микроречката работи на режимот за скара и на комбинираниот режим, децата смеат да ги користат овие режими само под надзор на возрасно лице.

# 1 Важни упатства за безбедноста и заштитата на околината

- Апаратот и неговиот електричен кабел не смеат да бидат пристапни за деца под 8 години.
- Не гответе храна директно на стаклената чинија. Наместете ја храната во соодветен кујнски сад пред да ја ставите во микроречката.
- Не е дозволено во микроречковата печка да се ставаат метални садови за храна и пијалаци. Во спротивно може да се појават искри.
- Микроречковата печка не смее да се намести во плакар што не е во склад со упатствата за инсталирање.

## 1.2. Согласност со Директивата за отпадна електрична и електронска опрема (WEEE) и фрлање на отпадниот производ:

Овој производ е во согласност со Директивата на ЕУ за отпадна електрична и електронска опрема (2012/19/EU). Овој производ има симбол за класификација за отпадна електрична и електронска опрема.



Овој симбол покажува дека производот не смее да се фрла заедно со друг отпад од домаќинството на крајот од неговиот век на траење.

Користениот уред мора да се врати во одреден собирен пункт за рециклирање на електрични и електронски уреди. Прашајте каде има такви собирни пунктови кај локалните надлежни органи или во продавницата од која сте го купиле производот. Секое домаќинство игра важна улога во рециклирањето на стариот апарат. Соодветното фрлање на користениот апарат помага да се спречат потенцијалните негативни последици по околината и по човечкото здравје.

## 1.3 Согласност со Директивата за рестрикција на опасни супстанции (RoHS)

Производот што го купивте е во согласност со Директивата на ЕУ за рестрикција на опасни супстанции (2011/65/EU). Не содржи штетни или забранети материјали наведени во Директивата.

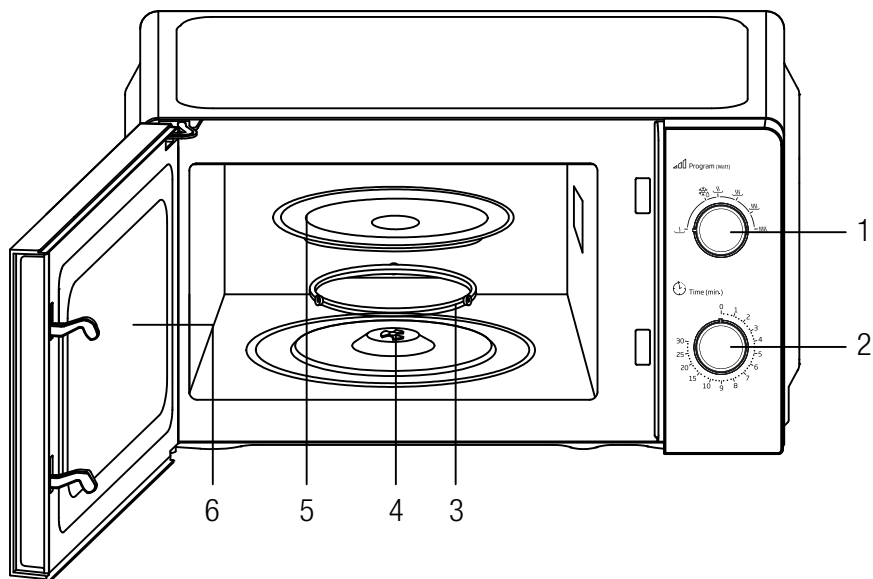
## 1.4 Информации за амбалажата



Материјалите од амбалажата на овој производ се произведени од материјали што може да се рециклираат во склад со државните прописи за заштита на околината. Не ги фрлајте материјалите од амбалажата заедно со отпадот од домаќинството или со друг отпад. Однесете ги во пунктот за собирање материјали од амбалажа одреден од локалните надлежни органи.

## 2 Вашата микробранова печка

### 2.1 Преглед



### Контроли и делови

1. Копче за напојување
2. Копче за тајмер
3. Валец
4. Рачка
5. Стаклена чинија
6. Прозорче на микроречката

### 2.2 Технички податоци

Напон	230-240V~,50Hz
Влез	1100W (микробранови)
Излез	700W
Фреквенција на микробрановата	2450MHz
Ниво на моќност на микробрановата	6
Надворешни димензии (ВxШxД) мм	243*446*340 mm
Стаклена подвижна чинија	245 mm
Капацитет на микроречката	20 L
Нето тежина	10 kg
Боја	Бела / Црна / Сребрена

Го задржуваме правото на технички промени и промени во дизајнот.

Ознаките на апаратот или вредностите наведени во другата документација доставена заедно со производот се вредности добиени во лабораториски услови во склад со важечките стандарди. Овие вредности може да се разликуваат во зависност од начинот на користење на апаратот и од условите во околината во која се користи.

## 3 Инсталација и поврзување

### 3.1 Инсталирање

1. Проверете дали сите материјали за пакување се отстранети од внатрешната страна на вратата.



#### **ПРЕДУПРЕДУВАЊЕ:**

Проверете ја рерната за какви било оштетувања, како што се погрешно поставена или свиткана врата, оштетени заптивки на вратите и површина за запечатување, скршени или лабави шарки на вратата и брави, и вдлабнати ни во внатрешноста или на вратата. Доколку има било каква штета, не користете ја печката и контактирајте го квалификуваниот сервисер.

2. Оваа микробранова печка мора да биде поставена на рамна, стабилна површина за да ја држи нејзината тежина и најтешката храна што би се готвела во неа.
3. Не поставувајте ја печката каде што се создава топлина, влага или висока влажност или во близина на запаливи материјали.
4. За правилно да работи, печката мора да има доволен проток на воздух. Оставете 20 цм простор над рерната, 10 цм одзади и 5 цм од двете страни. Не покривајте го и не блокирајте ги отворите на апаратот. Не отстранувајте ги ногалките.
5. Не работете со печката без стаклената чинија, потпирачот на валецот и рачката да бидат на нивното соодветно место.
6. Погрижете се кабелот за напојување да не е оштетен и да не поминува

под печката или преку топла или остра површина.

7. Приклучокот мора да биде лесно достапен за да може лесно да се исклучи во итен случај.
8. Не користете ја микроречката надвор.

### 3.2 Радио пречки

Употребата на микробрановата печка може да предизвика пречки во радиото, ТВ-уредот или слична опрема.

Кога има пречки, може да се намалат или отстранат со преземање на следниве мерки:

1. Исчистете ја вратата и површината за запечатување на печката.
2. Изменете ја ориентацијата на приемната антена за радио или телевизија.
3. Преместете ја микробрановата печка во однос на приемникот.
4. Поместете ја микробрановата печка подалеку од приемникот.
5. Приклучете ја микробрановата печка во различен штекер, така што микробрановата печка и приемникот да бидат на различни кола.

Жиците во оваа мрежа со кабли се обоени во согласност со следната шифра:

**Зелена и жолта = ЗАЗЕМЈУВАЊЕ**

**Сина = НЕУТРАЛНО**

**Кафена = СТРУЈА**

## 3 Инсталација и поврзување

### 3.3 Принцип на подготвување на храна во микробрановата печка

1. Внимателно подгответе ја храната. Остатоците ставете ги во сад надвор од чинијата.
2. Внимавајте на времето за готвење.
3. Поставете го најкраткото препорачано време и ако е потребно по тоа додадете уште време. Препечената храна може да предизвика појава на чад или може да изгори.
4. Покријте ја храната за време на готвењето. Со покривање на храната спречувате прскање и храната се готви рамномерно.
5. Свртете ја храната како пилешкото или хамбургерот за време на готвењето во микробрановата печка за да се забрза готвењето на овој вид на храна. Поголемите парчиња на храна кои се печат мора да се свртат барем еднаш.
6. Храната како што се кофтињата свртете ја на средината на печењето и заменете им го местото, и тоа наместо на средина да лежат на надворешниот дел на чинијата.

### 3.4 Упатства за заземјување

Овој уред мора да се заземји. Печката поседува кабел и приклучок со заземјување. Уредот мора да се приклучи во сидниот приклучок и правилно да се заземји. Системот на заземјување овозможува одвод на електричната енергија во случај на краток спој и ја намалува опасноста од струен удар. Препорачуваме употреба на струјно коло адекватно за печката. Работата со висок напон е опасна и

може да предизвика пожар или други незгоди кои може да ја оштетат микробрановата печка.



**ПРЕДУПРЕДУВАЊЕ:**  
Погрешната употреба на заземјениот приклучок може да предизвика струен удар.



Ако имате прашања во врска со заземјувањето и електричните инсталации, Ве молиме консултирајте се со квалификуван електричар или со сервисерите.



Производителот и/или дистрибутерот нема да прифати одговорност за повреди или штета создадени поради непочитување на процедурите за поврзување на струја.

### 3.5 Упатства за приборот

1. Микробрановите не пробиваат низ метал. Користете само прибор што е соодветен за употреба во микробранови печки. Не е дозволено во микробрановата печка да се ставаат метални садови за храна и пијалаци. Ова барање не се применува доколку производителот ја одреди големината и обликот на металните садови погодни за готвење во микробранова печка.
2. Микробрановите не пробиваат низ метал, затоа не треба да се користи метален прибор или садови со метална облога.
3. Не користете производи од рециклирана хартија при готвење во микробранова печка, бидејќи тие може



## 3 Инсталација и поврзување

да содржат мали метални фрагменти што може да предизвикаат искри и/или пожари.

4. Се препорачуваат тркалезни / овални садови, а не квадратни/издолжени, бидејќи храната во аглите може да се превари.

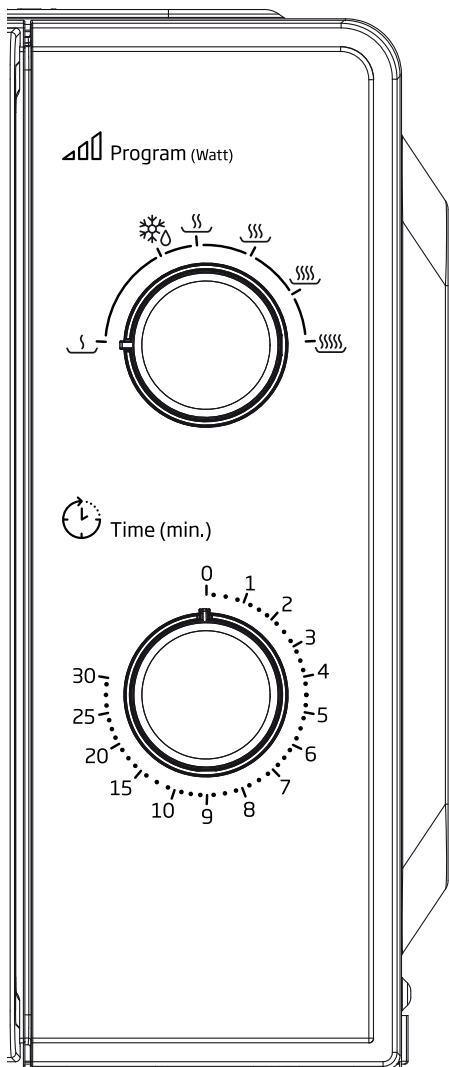
5. Може да се користат тесни ленти од алуминиумска фолија за да се спречи преварување на изложениите места. Но, бидете внимателни, не користете премногу и одржувајте растојание од 1 инч (2,54 цм) помеѓу фолијата и ѕидот на внатрешноста.

Списокот подолу е општо упатство кое ќе Ви помогне да го изберете правилниот прибор.

Садови за готвење	Microwave (Микробранови)
Стакло отпорно на топлина	Да
Стакло неотпорно на топлина	Не
Керамика отпорна на топлина	Да
Пластична чинија безбедна за микробранова печка	Да
Кујнска хартија	Да
Метална чинија	Не
Метална решетка	Не
Алуминиумска фолија и садови од фолија	Не

# 4 Работа на уредот

## 4.1 Контролна табла



Контролната табла се состои од два функционални оператори. Едното е копче за тајмер, а другото копче за напојување.

### Копче за напојување

Ова копче за напојување се користи за избор на нивото на моќност за готвење. Тоа е првиот чекор за да започнете со готвење.

### Копче за тајмер

Нуди визуелни поставки за тајминг со лесно вртење на палецот за да го изберете посакуваното време за готвење до 30 минути.

### Готвење со микробранова

За чисто готвење во микробранова печка, постојат шест нивоа на моќност од кои може да се избере едно кое најдобро одговара за да ја заврши работата.

Нивото на моќност се зголемува со вртење на копчето во насока на стрелките на часовникот. Нивоата на моќност може да се класифицираат како што следува:

	Излезна моќност	Опис
1	100%	Висока
2	88%	Средно висока
3	73%	Средна
4	52%	Средно ниска
5	42%	Одмрзнување
6	20%	Ниска

## 4.2 Употреба

За да започнете со готвење,

1. Ставете ја храната во печката и затворете ја вратата.
2. Завртете го копчето за напојување (1) за да изберете ниво на моќноост.
3. Користете го копчето за тајмер (2) за да поставите време на готвењето

## 4 Работа на уредот



Штом ќе се вклучи тајмерот, печката започнува да готви. Кога избирате време помало од 2 минути, заврте го тајмерот на 2 минути, а потоа вратете на точното време.



**ВНИМАНИЕ:** Секогаш враќајте го тајмерот во нулта положба доколку ја извадите храната од печката пред да заврши поставеното време за готвење или кога печката не се користи. За да ја запрете печката за време на готвењето, притиснете го копчето за ослободување на вратата или отворете ја вратата со рачката.

# 5 Чистење и одржување

## 5.1 Чистење и одржување



### ПРЕДУПРЕДУВАЊЕ:

Никогаш не користете бензин, растворувачи, абразивни средства за чистење, метални предмети или тврди четки за чистење на уредот.



### ПРЕДУПРЕДУВАЊЕ:

Никогаш не потопувајте го уредот или кабелот за струја во вода или во некоја друга течност.

1. Исклучете го уредот од струја и извлечете го приклучокот од ѕидниот приклучок.
2. Почекајте уредот целосно да се излади.
3. Внатрешноста на печката одржувајте ја чиста. Бришете ја со мокра крпа ако храна или течност се залепат за ѕидовите на печката. Користете благ детергент доколку е премногу извалкана печката. Избегнувајте спрејови и груби средства за чистење затоа што може да предизвикаат дамки, гребаници или потемнување на површината на вратата.
4. Надворешните површини на печката мора да се чистат со мокра крпа. Не дозволувајте водата да навлезе во отворите за вентилација за да не се оштетат деловите на печката.
5. Почесто бришете ги двете страни на вратата и стаклото, гумите на вратата и деловите од уредот во близина на гумата со мокра крпа, како би се отстраниле дамките од прскањето. Не користете абразивни средства за чистење.
6. Не се користи чистач на пара.
7. Не дозволувајте контролната табла да се натопи. Чистете ја со мека мокра крпа. Оставете ја отворена вратата од печката за да не вклучите случајно некоја функција додека ја чистите контролната табла.
8. Ако се насобере параа внатре или околу вратата на печката, избришете ја влагата со мека крпа. Тоа може да се случи кога микробрановата печка работи во влажни услови. Ова е сосема нормално.
9. Во некои случаи ќе морате да ја извадите стаклената чинија и да ја исчистите. Измијте ја чинијата во топла вода со сапуница или во машина за миење садови.
10. Прстенот и плафонот на печката мора редовно да се чистат за да не се појави бучава. Доволно е да се избрише површината со мека крпа со благ детергент. Прстенот може да се мие во вода со сапуница или во машина за миење садови. Кога ќе го извадите прстенот од печката поради чистење, проверете дали сте го вратиле правилно на место.
11. За да ги отстраните непријатните мириси од печката, ставете чаша вода со кора и сок од лимон во длабок сад кој може да се користи во микробрановата печка и вклучете ја печката на 5 минути во режимот на микробранова печка. Добро избришете ја и исушете ја со мека крпа.
12. Ве молиме, контактирајте го овластениот сервисер доколку е потребно да се замени сијаличката во печката.
13. Печката мора редовно да се чисти и потребно е да се отстранат сите остатоци од храна. Доколку печката не е чиста, може да дојде до оштетување на површините, тоа

## 5 Чистење и одржување

може да влијае на векот на траење на печката, и да предизвикавозможен ризик за корисникот.

14. Ве молиме, не отстранувајте го стариот уред со обичниот отпад од домаќинството; старите печки потребно е да се однесат во центрите за рециклажа.

15. Кога микробрановата печка се користи со функција пекач, може да се јави мало количество на чад и мирис кои ќе исчезнат по одредено време на користење.

### 5.2 Чување

- Ако не планирате да го користите уредот подолго време, Ве молиме внимателно да го одложите.
- Ве молиме проверете дали е уредот исклучен, ладен и комплетно сув.

- Оставете го уредот на суво и ладно место.

- Чувајте го уредот на места недостапни за деца.

### 5.3 Ракување и транспорт

- За време на преместувањето и транспортот носете го уредот спакуван во оригиналната амбалажа. Амбалажата го заштитува уредот од физички оштетувања.

- Не ставајте терет на уредот или на амбалажата. Може да се оштети уредот.

- Внимавајте уредот да на Ви падне на под, тоа може да предизвика трајни оштетувања и дефект на уредот.

## 6 Чистење и одржување

Проблем	Можно решение
Доколку печката не работи	Проверете дали е добро приклучена во штекер. Доколку не е, извадете го приклучокот од штекерот, почекајте 10 секунди и повторно цврсто приклучете го.
	Проверете дали е запален некој осигурувач или исклучен некој прекинувач. Доколку се чини дека тие работат правилно, тестирајте го штекерот со друг апарат.
	Проверете дали контролната табла е правилно програмирана и дали тајмерот е поставен.
	Проверете дали вратата е цврсто затворена, вклучувајќи го сигурносниот систем за заклучување на вратата. Во спротивно, микробрановата енергија нема да струи низ печката.
Ако ништо од горенаведеното не ја реши ситуацијата, тогаш контактирајте квалификуван техничар. Не обидувајте се да ја приспособите или поправите печката самите.	

# Ju lutemi lexoni në fillim këtë manual përdorimi!



I dashur klient i çmuar,

Faleminderit që keni zgjedhur këtë pajisje Beko. Ne shpresojmë që të merrni rezultatet më të mira nga pajisja juaj, e cila është prodhuar me cilësi të lartë dhe me një teknologji të nivelit më të lartë. Për këtë arsye, lexoni me kujdes të gjithë këtë manual përdorimi dhe të gjitha dokumentet e tjera shoqëruese përpara se të përdorni këtë pajisje dhe mbajeni atë si referencë për ta përdorur në të ardhmen. Nëse ia jepni dikujt tjetër këtë pajisje, jepini edhe manualin e përdorimit. Ndiqni udhëzimet duke treguar vëmendje për të gjitha informacionet dhe paralajmërimet në manualin e përdorimit.

Mos harroni se ky manual përdorimi mund të jetë i vlefshëm edhe për modele të tjera. Diferencat mes modeleve përshkruhen në mënyrë të qartë në manual.

## Kuptimet e simboleve

Simbolet e mëposhtme përdoren në pjesë të ndryshme të këtij manuali përdorimi:

	Informacione të rëndësishme dhe sugjerime të dobishme për përdorimin.
	Paralajmërimë për situata të rrezikshme në lidhje me sigurinë e jetës dhe të pronës.
	Paralajmërim për sipërfaqe të nxehta.
	Paralajmërim për goditje elektrike.



Kjo pajisje është prodhuar në impiante moderne të përshtatshme për mjedisin që nuk e dëmtojnë natyrën.

# 1 Udhëzime të rëndësishme për sigurinë dhe mjedisin

## Udhëzime të rëndësishme për sigurinë Lexojini me kujdes dhe ruajini për t'iu referuar në të ardhmen

### 1.1 Paralajmërime për sigurinë

Kjo pjesë përmban udhëzime për sigurinë që do të ndihmojnë për t'u mbrojtur nga rreziku i zjarrit, goditjet elektrike, ekspozimi ndaj rrjedhjeve të energjisë mikrovalë, lëndimet personale ose dëmtimet e pronës. Mosrespektimi i këtyre udhëzimeve do të bëjë të pavlefshme të gjitha garancitë.

- Furrat me Mikrovalë Beko përputhen me standardet e zbatueshme të sigurisë; prandaj, në rast të çdo dëmtimi në pajisje ose të kabllit elektrik, ato duhen riparuar ose ndërruar nga shitësi, qendra e servisit ose një specialist dhe shërbim i autorizuar i ngjashëm për të shmangur çdo rrezik. Riparimet e gabuara ose të pakualifikuara mund të jenë të rrezikshme dhe të shkaktojnë rrezik për përdoruesin.
  - Kjo pajisje është projektuar për përdorim në shtëpi ose përdorime të ngjashme, si p.sh.:
- Zonat e kuzhinës së personelit në dyqane, zyra dhe ambiente të tjera pune;
  - Në shtëpi në ferma
  - Nga klientët në hotele, dhe ambiente të tjera banimi;
  - Ambiente të tipit të moteleve me mëngjes.
- Ai nuk është i përshtatshëm për përdorim industrial ose laboratorik.
  - Mos u përpiqni ta ndizni furrën kur dera është e mbyllur; përn-dryshe mund të ekspozoheni ndaj energjisë së dëmshme mikrovalë. Bllokuesit e sigurisë nuk duhen çaktivizuar ose manipuluar.
  - Furra me mikrovalë duhet përdorur për të ngrohur ushqime dhe pije. Tharja e ushqimeve ose veshjeve dhe ngrohja e jastëkëve ngrohës, pantoflave, sfungjerëve, leckave të njoma dhe gjëra të ngjashme mund të shkaktojnë rrezik lëndimi, marrje flakë ose zjarr.
  - Mos vendosni ndonjë objekt midis anës ballore dhe derës së furrës. Mos lejoni të krijohen pislleqe ose mbetje agjentësh pastrues në sipërfaqet e mbylljes.
  - Çdo punë shërbimi që përfshin heqjen e kapakut që siguron mbrojtje kundër ekspozimit ndaj

# 1 Udhëzime të rëndësishme për sigurinë dhe mjedisin

- energjisë mikrovalë duhet të kryhet nga personat/shërbimi i autorizuar. Çdo qasje tjetër është e rrezikshme.
- Produkti juaj është për të gatuar, ngrohur dhe shkrirë ushqimin në shtëpi. Ai nuk duhet të përdoret për qëllime tregtare.
  - Furra nuk është projektuar për të tharë ndonjë qenie të gjallë.
  - Mos e përdorni pajisjen për të tharë rroba ose peshqirë kuzhine.
  - Mos e përdorni këtë pajisje jashtë, në banja, në ambiente të lagështa ose në vende ku mund të laget.
  - Nuk duhet të pretendohet asnjë përgjegjësi ose garanci për dëmet që vijnë nga keqpërdorimi ose përdorimi i papërshtatshëm i pajisjes.
  - Kurrë mos u përpiqni ta çmontoni pajisjen. Nuk pranohet asnjë pretendim garancie për dëmet e shkaktuara nga përdorimi i papërshtatshëm.
  - Përdorni vetëm pjesë origjinale ose pjesë të rekomanduara nga prodhuesi.
  - Mos e lini këtë pajisje pa mbikëqyrje kur është në punë.
  - Gjithmonë përdoreni këtë pajisje në një sipërfaqe të qëndrueshme, të sheshtë, të thatë e të pastër dhe të parrëshqitshme.
  - Pajisja nuk duhet vënë në përdorim me një kohëmatës të jashtëm ose sistem tjetër të telekomanduar.
  - Para se ta përdorni pajisjen për herë të parë, pastroni të gjitha pjesët. Ju lutemi shihni detajet që jepen në pjesën “Pastrimi dhe mirëmbajtja”.
  - Përdoreni pajisjen vetëm për qëllimin e duhur siç përshkruhet në këtë manual.
  - Pajisja nxehtet shumë kur është në punë. Kini kujdes të mos prekni pjesët e nxehta brenda furrës.
  - Mos e vini në punë pajisjen kur është bosh.
  - Ena e gatimit mund të nxehtet për shkak të nxehtësisë që përçohet nga ushqimi i nxehtë tek ena. Mund t’ju nevojiten dorashka furre për të mbajtur enën.
  - Enët duhen kontrolluar për t’u siguruar që janë të përshtatshme për t’u përdorur në furrat me mikrovalë.
  - Mos e vendosni furrën mbi vatra ose pajisje të tjera që prodhojnë nxehtësi. Përndryshe, ajo mund të dëmtohet dhe garancia bëhet e pavlefshme.
  - Mund të dalë avull kur hiqni kapakët ose letrën e aluminit pas gatimit të ushqimit.



# 1 Udhëzime të rëndësishme për sigurinë dhe mjedisin

- Pajisja dhe sipërfaqet e saj të aritshme mund të nxehen shumë kur pajisja është në punë.
- Dera dhe xhami i jashtëm mund të nxehen shumë kur pajisja është në punë.
- Sigurohuni që rryma elektrike të jetë në përputhje me informacionet e treguara tek etiketa me të dhënat e pajisjes.
- E vetmja mënyrë për të shkëputur pajisjen nga rryma elektrike është të hiqni spinën nga priza.
- Përdoreni pajisjen vetëm me një prizë me tokëzim.
- Kurrë mos e përdorni pajisjen nëse kabloja e saj ose vetë pajisja është e dëmtuar.
- Mos e përdorni këtë pajisje me një kabëll zgjatues.
- Kurrë mos e prekni pajisjen ose spinën e saj me duar të njoma ose të lagura.
- Vendoseni pajisjen në një mënyrë që spina të jetë gjithmonë e aritshme.
- Parandaloni dëmtimin e kabllos elektrike duke mos e shtypur, përkulur ose fërkuar në cepa të mprehtë. Mbajeni kabllon elektrike larg sipërfaqeve të nxehta dhe flakëve të zjarrit.
- Sigurohuni që të mos ketë asnjë rrezik që kablli elektrik të tërhiqet aksidentalisht ose që të dikush të pengohet mbi të kur pajisja është në përdorim.
- Higieni pajisjen nga priza para se ta pastroni dhe kur pajisja nuk është në punë.
- Mos e tërhiqni kabllin e pajisjes për ta shkëputur atë nga rryma dhe kurrë mos e mbështillni kabllin rrotull pajisjes.
- Mos e zhytni pajisjen, kabllin elektrik ose prizën në ujë a në ndonjë lëng tjetër. Mos lini që të bjerë ujë mbi të.
- Kur e ngrohni ushqimin në enë plastike ose kartoni, mbajini sytë te furra pasi ekziston mundësia që ena të marrë flakë.
- Hiqni lidhëset prej teli dhe/ose dorizat metalike të qeseve prej kartoni ose plastike para se t'i vini qeset në furrë.
- Nëse vëreni tym, është mirë ta fikni ose ta hiqni nga priza pajisjen dhe ta mbani derën mbyllur që të fiken flakët.
- Mos e përdorni furrën me mikrovalë për të magazinuar gjëra. Mos lini sende kartoni, materiale gatimi ose ushqime brenda furrës kur ajo nuk po përdoret.

# 1 Udhëzime të rëndësishme për sigurinë dhe mjedisin

- Përmbajtja e shisheve ushqyese dhe e kavanozave me ushqim të foshnjave duhet trazuar ose shkundur dhe temperatura duhet kontrolluar para konsumimit, për të shmangur djegiet.
  - Kjo është një pajisje ISM e Grupit 2 Klasa B. Në Grupin 2 futen të gjitha pajisjet ISM (Industriale, Shkencore dhe Mjekësore) në të cilat energjia e radio-frekuencave prodhohet dhe/ose përdoret qëllimisht në formën e rrezatimit elektromagnetik për trajtimin e materialeve, dhe pajisjet me erozionin me shkëndijë.
  - Pajisjet e Klasës B janë të përshtatshme për t'u përdorur në ambiente shtëpiake dhe në ambiente të lidhura drejtpërdrejt me një rrjet energjie me voltazh të ulët.
  - Mos përdorni në furrë vaj gatimi. Vaji i nxehtë mund të dëmtojë përbërësit dhe materialet e furrës dhe ai madje mund të shkaktojë djegie në lëkurë.
  - Shpojini ushqimet me lëkurë të trashë si për shembull patatet, kungujt, mollët dhe gështenjat.
  - Pajisja duhet vendosur në atë mënyrë që ana e pasme të jetë nga muri.
  - Para se ta lëvizni pajisjen, fiksojeni platformën rrotulluese që të parandaloni dëmet.
  - Vezët me lëvozhgë dhe vezët e ziera të pacopëtuara nuk duhen ngrohur në furrën me mikrovalë pasi mund të shpërthejnë, madje edhe pasi ngrohja me mikrovalë ka përfunduar.
- PARALAJMËRIM:** Nëse dera ose guarnicioni i derës janë të dëmtuar, furra nuk duhet të vihet në punë derisa ato të jenë riparuar nga një person kompetent.
- PARALAJMËRIM:** Është e rrezikshme për këdo përveç një personi kompetent të bëjë ndonjë veprim shërbimi ose riparimi që përfshin heqjen e kapakut i cili mbron nga ekspozimi ndaj energjisë mikrovalë.
- PARALAJMËRIM:** Lëngjet dhe ushqimet e tjera nuk duhen ngrohur në enë hermetike pasi ato mund të shpërthejnë.
- Furra duhet pastruar rregullisht dhe çdo mbetje ushqimesh duhet hequr.
  - Duhet të ketë të paktën 20 cm hapësirë të lirë mbi sipërfaqen e sipërme të furrës.
  - Mos i gatvani tepër ushqimet, përndryshe, mund të shkaktoni zjarr.

# 1 Udhëzime të rëndësishme për sigurinë dhe mjedisin

- Mos përdorni lëndë kimike dhe pastrues me avull për të pastruar pajisjen.
- Këshillohet kujdes ekstrem kur përdoret pranë fëmijëve dhe personave që kanë kufizime në aftësitë e tyre fizike, ndijore ose mendore.
- Kjo pajisje mund të përdoret nga fëmijët e moshës 8 vjeç e sipër dhe nga personat me kapacitete të kufizuara fizike, ndijore ose mendore, ose me mungesë të përvojës dhe njohurive, për sa kohë mbikëqyren ose udhëzohen në lidhje me përdorimin e sigurt të pajisjes nga një person përgjegjës dhe i kuptojnë rreziqet. Fëmijët nuk duhet të luajnë me pajisjen. Procedurat për pastrimin dhe mirëmbajtjen nuk duhet të kryhen nga fëmijët përveç rastit kur ata janë të mbikëqyrur nga të rritur.
- **Rrezik mbyetje!** Mbajini të gjitha materialet e paketimit larg fëmijëve.
- Për shkak të nxehtësisë së tepërt që krijohet në modalitetet me skarë dhe të kombinuar, fëmijët duhet të lejohen t'i përdorin këto modalitete vetëm nën mbikëqyrjen e një të rrituri.
- Mbajeni produktin dhe kabllin e tij elektrik në atë mënyrë që të mos arrihet nga fëmijët e moshës nën 8 vjeç.
- Mos gatuani ushqim drejtpërdrejt te pjata prej xhami. Vendoseni ushqimin në / mbi enë kuzhine të përshtatshme para se t'i vendosni ato në furrë.
- Enët metalike për ushqimet dhe pijet nuk lejohen gjatë gatimit me mikrovalë. Përndryshe mund të ndodhin shkëndija.
- Furra me mikrovalë nuk duhet vendosur në një mobilie që nuk përputhet me udhëzimet e montimit.

## 1.2 Përputhja me direktivën WEEE dhe hedhja e produktit pas përdorimit:

Ky produkt është në përputhje me Direktivën EU, WEEE (2012/19/EU). Ky produkt ka një simbol klasifikimi për pajisjet elektrike dhe elektronike të përdorura (WEEE).



Ky simbol tregon se ky produkt nuk duhet hedhur me mbeturina të tjera shtëpiake në fund të ciklit të tij të jetës. Pajisja e përdorur duhet rikthyer në pikën zyrtare të grumbullimit për riciklimin e pajisjeve elektrike dhe elektronike. Për këto pika grumbullimi mund të pyesni pranë autoriteteve lokale ose shitësit ku u ble produkti. Çdo familje luan një rol të rëndësishëm për rikuperimin dhe riciklimin e pajisjeve të vjetra. Asgjësimi i duhur i pajisjeve të përdorura parandalon pasojat negative për mjedisin dhe shëndetin e njerëzve.

# 1 Udhëzime të rëndësishme për sigurinë dhe mjedisin

## 1.3 Pajtimi me direktivën RoHS

Produkti që keni blerë është i pajtueshëm me Direktivën EU RoHS (2011/65/EU). Ai nuk përmban materiale të dëmshme dhe të ndaluara të specifikuara në Direktivë.

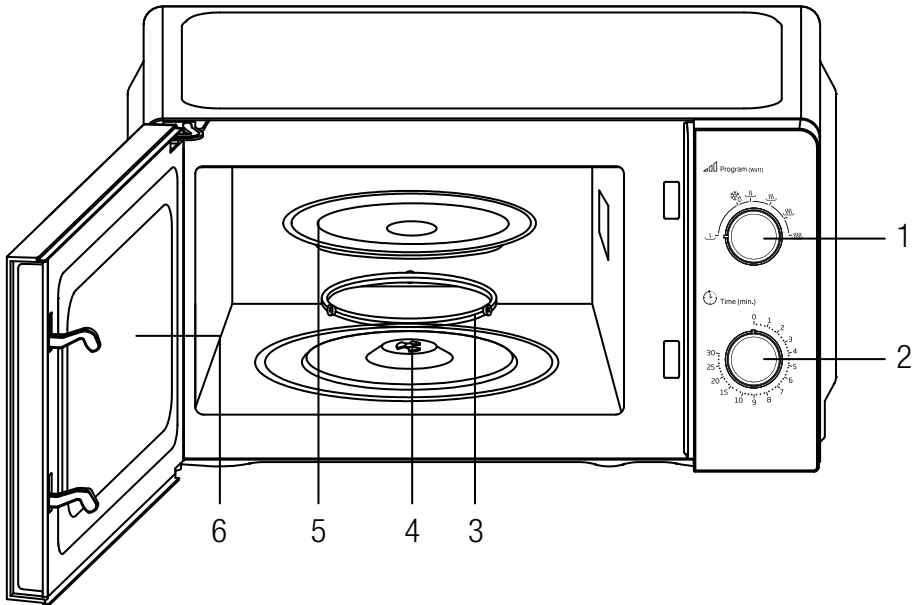
## 1.4 Informacione për ambalazhin



Materialet e paketimit të produktit prodhohen nga materiale të riciklueshme në përputhje me Rregulloret tona Kombëtare për Mjedisin. Mos i hidhni materialet e paketimit bashkë me mbeturinat familjare ose mbeturinat e tjera. Çojini ato te pikat e grumbullimit për materialet e paketimit të përcaktuara nga autoritetet lokale.

## 2 Furra me mikrovalë Juaj

### 2.1 Vështrimi



### Kontrollet dhe pjesët

1. Çelësi i fuqisë
2. Çelësi i kohëmatësit
3. Unaza rrotulluese
4. Boshti
5. Pjata prej xhami
6. Dritarja e furrës

### 2.2 Të dhënat teknike

<b>Tensioni nominal</b>	230-240 V~, 50 Hz
<b>Fuqia hyrëse nominale</b>	1100 W (Mikrovala)
<b>Fuqia dalëse nominale</b>	700W
<b>Frekuenca e mikrovalëve</b>	2450 MHz
<b>Niveli i fuqisë së mikrovalës</b>	6
<b>Përmasat e jashtme (L*Gj*Th) mm</b>	243 x 446 x 340 mm
<b>Pjata rrotulluese e xhamit</b>	245 mm
<b>Kapaciteti i furrës</b>	20 L
<b>Pesha neto</b>	10 kg
<b>Ngjyra</b>	E bardhë / e zezë / argjendi

Të drejtat e modifikimeve teknike dhe të dizajnit janë të rezervuara.

Markat në pajisje ose vlerat e deklaruara në dokumentet e tjera të dhëna bashkë me produktin janë vlera të siguruar në kushte laboratorike në përputhje me standardet përkatëse. Këto vlera mund të ndryshojnë në përputhje me përdorimin e pajisjes dhe kushtet e ambientit.

## 3 Instalimi dhe lidhja

### 3.1 Montimi

1. Sigurohuni që të gjitha materialet e paketimit të hiqen nga pjesa e brendshme e derës.



**PARALAJMËRIM:** Kontrolloni furrën për dëmtime, si p.sh. mospërputhje ose përkulje të derës, dëmtime të gominave të derës dhe të sipërfaqes së guarnicionit, mentesha dhe kapëse të thyera ose të lira të derës dhe goditje brenda hapësirës së brendshme ose në derë. Nëse ka ndonjë dëmtim, mos e përdorni furrën dhe kontaktoni me personelin e kualifikuar të shërbimit.

2. Kjo mikrovalë duhet të vendoset mbi një sipërfaqe të rrafshët dhe të qëndrueshme që mund të mbajë peshën e saj dhe të ushqimeve më të rënda që mund të gatohen në furrë.
3. Mos e vendosni furrën në vende ku mund të ketë nxehtësi, lëngje ose lagështi të lartë, ose pranë materialeve të ndezshme.
4. Për një përdorim të saktë, furra duhet të ketë një qarkullim të mjaftueshëm ajri. Siguroni një hapësirë prej 20 cm mbi furrë, 10 cm në pjesën e pasme dhe 5 cm në të dyja anët. Mos mbulononi apo bllokoni vrimat në pajisje. Mos i hiqni këmbët.
5. Mos e përdorni furrën pa tavën e xhamit, mbështetësen rrotulluese dhe boshtin në pozicionet e tyre përkatëse.
6. Sigurohuni që kordoni elektrik të mos jetë i dëmtuar dhe të mos kalojë poshtë furrës ose mbi ndonjë sipërfaqe të nxehtë ose të mprehtë.
7. Priza duhet të jetë gjithmonë e arritshme që të mund të shkëputet me lehtësi në rast urgjence.
8. Mos e përdorni furrën në ambiente të jashtme.

### 3.2 Interferenca te radiot

Përdorimi i furrës me mikrovalë mund të shkaktojë interferenca te radiot, televizorët ose pajisje të ngjashme.

Kur ka interferenca, kjo mund të reduktohet ose të eliminohet duke marrë masat e mëposhtme:

1. Pastroni sipërfaqen e derës dhe të guarnicionit të furrës.
2. Ridrejtoni antenën marrëse të radios ose televizorit.
3. Ndryshoni pozicionin e furrës me mikrovalë në lidhje me aparatën marrëse.
4. Largojeni furrën me mikrovalë nga aparati marrës.
5. Vendoseni furrën me mikrovalë në një prizë tjetër, në mënyrë që furra me mikrovalë dhe aparati marrës të jenë në qarqe me degëzime të ndryshme.

Telat në këtë kablo elektrike janë me ngjyra sipas kodeve të mëposhtme:

**Jeshile dhe e verdhë = TOKËZIMI**

**Blu = NULI**

**Kafe = FAZA**

### 3.3 Mënyra e përgatitjes së ushqimet në furrën mikrovalë

1. Përgatiteni ushqimin me kujdes. Lijini mbetjet jashtë pjatës.
2. Duhet t'i kushtoni vëmendje kohës së gatimit. Vendoseni kohën më të shkurtër të rekomanduar dhe nëse është e nevojshme pastaj shtoni më shumë kohë. Ushqimi i stërpjekur mund të shkaktojë tym ose mund të djegë.
3. Mbulojeni ushqimit gjatë gatimit. Mbulimi i ushqimit parandalon spërkatje dhe ushqimi gatuhet në mënyrë të barabartë.
4. Rrotullojeni ushqimit të tillë si pula dhe hamburger gjatë gatimit në furrën me mikrovalë për të përshpejtuar gatimin e këtyre ushqimeve. Copa të mëdha të ushqimit të tilla si rosto duhet të rrotullohet të paktën një herë.
5. Ushqime të tilla si qofte mishi duhet të rrotullohet në mes të pjekjes dhe ndryshojeni vendin e tyre duke i vendosur në pjesën e jashtme të pjatës.

## 3 Instalimi dhe lidhja

### 3.4 Udhëzimet për tokëzim

Kjo pajisje duhet tokëzuar. Furra ka kabllon dhe spinën me tokëzimin. Pajisja duhet të futet në prizën në mur dhe të tokëzohet rregullisht. Sistemi i tokëzimit e mundëson kullimin e energjisë elektrike në rast të një qark të shkurtër dhe ul rrizikun e goditjes elektrike. Ne rekomendojmë përdorimin e garkullimin elektrik që është aduekvat për furrën. Punimi me tensionin e lartë është i rrezikshëm dhe mund të shkaktojë zjarr ose aksidente të tjera që mund të dëmtojnë furrën me mikrovalë.



**PARALAJMËRIM:** Përdorimi i pavend të spines së tokëzuar mund të shkaktojë goditje e rrymës



Nëse keni pyetje në lidhje me tokëzimin dhe instalimet elektrike, Ju lutemi të konsultoheni me një elektrikist të kualifikuar ose me personelin nga servisi



Prodhuesi dhe / ose distributori nuk do të pranojë përgjegjësi për lëndime apo dëmtime që do të rezultojnë nga mos-respektimi të procedurave për lidhjen me energji elektrike.

shkaktojnë shkëndija dhe/ose zjarr.

4. Rekomandohen pjata të rrumbullakëta/ovale në vend të pjatave katrorë/drejtëndore, pasi ushqimet në cepa kanë tendencën të gatuhet më shumë.
5. Mund të përdoren shirita të ngushtë flete alumini për të parandaluar gatimin e tepërt për zonat e ekspozuara. Por tregoni kujdes që të mos përdorni shumë nga kjo dhe ruani një distancë prej 2,54 cm (1 inç) mes fletës së aluminit dhe kavitetit të brendshëm.

Lista më poshtë është një udhëzues i përgjithshëm për t'ju ndihmuar të zgjidhni pajisjet e duhura të gatimit.

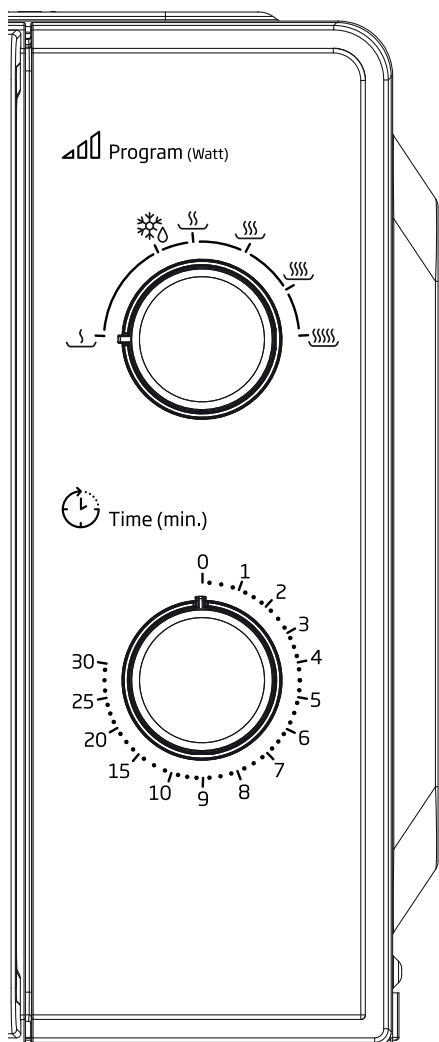
Ena e gatimit	Mikrovala
Xham rezistent ndaj nxehtësisë	Po
Xham jo rezistent ndaj nxehtësisë	Jo
Qeramikë rezistente ndaj nxehtësisë	Po
Pjatë plastike e sigurt për mikrovalë	Po
Letër kuzhine	Po
Tavë metalike	Jo
Raft metalik	Jo
Fletë alumini dhe enë me fletë alumini	Jo

### 3.5 Udhëzimet për pajisjet e gatimit

1. Mikrovalët nuk mund të depërtojnë në metale. Përdorni vetëm pajisje gatimi që janë të përshtatshme për përdorim në furra me mikrovalë. Enët metalike për ushqimet dhe pijet nuk lejohen gjatë gatimit me mikrovalë. Kjo kërkesë nuk është e vlefshme nëse prodhuesi specifikon madhësinë dhe formën e enëve metalike të përshtatshme për gatimin me mikrovalë.
2. Mikrovalët nuk mund t'i depërtojnë metalet, prandaj nuk duhet të përdoren pajisje metalike gatimi ose pjata me elemente metalike.
3. Mos përdorni produkte me letër të ricikluar gjatë gatimit me mikrovalë, pasi ato mund të përmbajnë fragmente të vogla metali që mund të

## 4 Punimi i pajisjes

### 4.1 Paneli i kontrollit



Paneli i kontrollit përfshin dy funksione. Njëri është çelësi i kohëmatësit dhe tjetri është çelësi i fuqisë.

#### Çelësi i fuqisë

Këtë çelës të fuqisë e përdorni për të zgjedhur një nivel të fuqisë së gatimit. Ai është hapi i parë për të nisur seancën e gatimit.

#### Çelësi i kohëmatësit

Siguron parametra vizuale kohore me një rrotullim të lehtë të gishtit për të zgjedhur kohën e dëshiruar të gatimit me deri në 30 minuta për seancë gatimit.

#### Gatimi me mikrovalë

Për gatimin vetëm me mikrovalë, ka gjashtë nivele fuqie nga të cilat mund të zgjidhni atë që është më i përshtatshëm për detyrën aktuale.

Niveli i fuqisë rritet me rrotullimin e çelësit në drejtimin orar. Nivelet e fuqisë mund të klasifikohen si më poshtë:

	Fuqia dalëse	Përshkrimi
1	100%	E lartë
2	88%	Mesatare - e lartë
3	73%	Mesatare
4	52%	Mesatare - e ulët
5	42%	Shkrirje
6	20%	E ulët

### 4.2 Përdorimi

Për të nisur një seancë gatimi.

1. Vendosni ushqimet në furrë dhe mbyllni derën.
2. Rrotulloni çelësin e fuqisë (1) për të zgjedhur një nivel fuqie.
3. Përdorni çelësin e kohëmatësit (2) për të caktuar një kohë gatimi.



Sapo të rrotullohet kohëmatësi, furra fillon gatimin. Kur zgjidhni një kohë më pak se 2 minuta, rrotullojeni kohëmatësin përtej vlerës 2 minuta dhe më pas kthejeni te koha e saktë.



**KUJDES:** Kthejeni gjithmonë kohëmatësin te pozicioni zero nëse ushqimet hiqen nga furra para se të përfundojë koha e gatimit ose kur furra nuk është në përdorim. Për ta ndaluar furrën gjatë procesit të gatimit, shtypni butonin e hapjes së derës ose hapeni derën me anë të dorëzës.



# 5 Pastrimi dhe mirëmbajtja

## 5.1 Pastrimi dhe mirëmbajtja



**PARALAJMËRIM:** Kurrë mos i përdorni benzinë, tratësirë, agjente pastrimi, objekte metalike ose furrça të forta për pastrimin e pajisjes.



**PARALAJMËRIM:** Kurrë mos e zhytni pajisjen ose kabllo elektrike në ujë ose në ndonjë lëng të tjerë.

1. Fikeni pajisjen nga rryma dhe nxirreni spinën nga priza në mur.
2. Pritni që pajisja të ftohet plotësisht.
3. Mbajeni brendësinë e furrës të pastër. Fshini me leckën e lagur nëse uhqimi është i shpërndarur ose lëngje janë të ngjitura në murët e furrës. Përdoreni detergjentin e butë nëse furra është mjaft e pistë . Shmangojini sprejtë dhe mjetet të forta sepse ato mund të shkaktojnë njollat, gërvishtjet ose errësimi i sipërfaqes në derën.
4. Sipërfaqet e jashtme të furrës duhet të pastrohen me një leckë të lagur. Nuk lejoni që ujë të depërtojë në hapjet e ventilimit që të mos dëmtohen pjesët e furrës.
5. Shpesh fshijini të dy anët e derës dhe xhami, gomat në derën dhe pjesët të pajisjes afër gomës me një leckë të lagur për të hequr njollat nga spërkatje. Mos i përdorni preparate pastruese abrazive.
6. Nuk përdoret pastrues me avull.
7. Mos lejoni që paneli i kontrollimit të laget. Pastrojeni me një leckë të butë të lagur. Lijeni derën e furrës të hapur kështu që nuk aktivizoni aksidentalisht ndonjë funksion kur pastroni panelin.
8. Nëse avull akumulohet brenda ose rreth derës së furrës, fshini me një leckë të butë të lagur. Kjo mund të ndodhet kur furra me mikrovalë vepron në kushte të lagësht. Kjo është krejtësisht normale.
9. Në disa raste do të duhet të hiqni pjatën qelqi dhe ta pastroni atë. Lajeni pjatën me ujë të ngrohtë me detergjent ose në makinë pjatëlarëse.

10. Unaza dhe tavan të furrës duhet të pastrohen rregullisht për të shmangur zhurmë. Mjafton të fshini sipërfaqen me një leckë të butë dhe pastrues të butë. Unaza mund të lahen në ujë me detergjent ose në makinë pjatëlarëse. Kur hiqni unazën nga furra për pastrimin, sigurohuni që të keni vendosur atë në vend në mënyrë të rregullt.
11. Për t'ua hequr erat e keqe nga furra, duhet të futni një gotë me ujë me lëvozhgë dhe lëng limoni në një enë të thellë që mund të përdoret në një furrë me mikrovalë dhe ndizeni furrën për 5 minuta në regjimin e furrës me mikrovalë. Fshini dhe thani me një leckë të butë.
12. Ju lutemi, kontaktojeni servisën e autorizuar nëse llamba në furrën duhet të zëvendësohet.
13. Furra duhet të pastrohet gjithmonë dhe në mënyrë të rregullt dhe është e nevojshme të hiqni të gjitha mbetjet e ushqimit. Nëse furra nuk është e pastër, mund të ndodhen dëmtimet e sipërfaqeve, dhe kjo mund të ndikojë në kohën e jetës së saj dhe të shkaktojë një rrezik i mundshëm për përdhories.
14. Ju lutemi, mos e hidhni pajisjen e vjetër me mbeturinën shtëpiake; furrat e vjetra duhet të çohen tek qendrat për riciklim.
15. Kur furra me mikrovalë përdoret me funksionin e skarës, mund të duken një sasi të vogël të tymit dhe erës që do të zhiduken pas një kohë të caktuar të përdorimit.

## 5.2 Ruajtja

- Nëse nuk planifikoni të përdorni pajisjen për një kohë të gjatë, largojeni atë me kujdes.
- Ju lutemi, kontrolloni nëse pajisja është e fikur, e ftohtë dhe e thatë plotësisht.
- Largojeni pajisjen në një vend të thatë dhe të ftohtë ku fëmijët nuk mund ta kapin.

## 5 Pastrimi dhe mirëmbajtja

### 5.3 Trajtimi dhe transporti

- Kur lëvizni apo transportoni pajisjen mabjeni atë e paketuar në ambalazhin origjinal. Ambalazhi e mbron pajisjen nga dëmtimet fizike.
- Mos e vendosni asnjë ngarkesë në pajisjen ose ambalazhin. Pajisja mund të dëmtohet.
- Kini kujdes që pajisja mos të bjerë poshtë, pra kjo mund të shkaktojë dëmtimet e përherëshme dhe mosfunksionimi i pajisjes.

## 6 Ndhma për zgjidhjen e problemeve

Problemi	Zgjidhja e mundshme
Nëse furra nuk punon	Kontrolloni për t'u siguruar që furra është e vendosur në mënyrë të sigurt në prizë. Nëse jo, hiqni spinën nga priza, prisni 10 sekonda dhe vendoseni përsëri në prizë në mënyrë të sigurt.
	Kontrolloni për siguresa të djegura të qarkut elektrik ose ulje të automatit të rrjetit elektrik. Nëse këto duket se punojnë si duhet, testoni prizën me një pajisje tjetër.
	Kontrolloni për t'u siguruar që paneli i kontrollit është programuar si duhet dhe që e keni caktuar kohëmatësin.
	Kontrolloni për t'u siguruar që dera është e mbyllur në mënyrë të sigurt me aktivizimin e bllokimit të sigurisë së derës. Në rast të kundërt, energjia e mikrovalëve nuk do të qarkullojë në furrë.
Nëse asnjë nga më sipër nuk e zgjidh situatën, atëherë kontaktoni me një teknik të kualifikuar. Mos u përpiqni ta rregulloni ose riparoni vetë furrën.	

# Prvo pročitajte ovaj korisnički priručnik!





Poštovani cijenjeni kupci,

Zahvaljujemo vam što ste odabrali ovaj proizvod kompanije Beko. Nadamo se da ćete na najbolji mogući način iskoristiti svoj uređaj koji je napravljen s visokim kvalitetom i vrhunskom tehnologijom. Iz tog razloga, pročitajte ovaj kompletan korisnički priručnik i sve druge prateće dokumente pažljivo prije korišćenja proizvoda i sačuvajte ih za buduću upotrebu. Ako ovaj uređaj predate trećem licu, priložite i ovaj korisnički priručnik. Pratite upute obraćajući pažnju na sve informacije i upozorenja navedena u korisničkom priručniku.

Imajte na umu da je ovaj korisnički priručnik primjenljiv i za druge modele. Razlike između modela izričito su opisane u priručniku.

## Značenje simbola

Sljedeći simboli se koriste u raznim odjeljcima ovog korisničkog priručnika:

	Važne informacije i korisni savjeti za upotrebu.
	Upozorenje na opasnost po život ili oštećenje imovine.
	Upozorenje na vruće površine.
	Upozorenje na strujni udar.



Ovaj uređaj je proizveden u ekološkim modernim postrojenjima bez štetnog uticaja na prirodu.

---

# 1 Važna uputstva i upozorenja za bezbjednost i okolinu

## Pažljivo pročitajte važna uputstva za siguran rad i čuvajte ih za kasnije potrebe

### 1.1 Sigurnosne upute

Ovaj dio sadrži uputstva za siguran rad koja će štiti od opasnosti od požara, strujnog udara, izlaganja slaboj mikrovalnoj energiji, ozljede ili materijalne štete. Zanemarivanje slijedenja ovih uputstava poništava svaku garanciju.

- Mikrovalne pećnice Beko usaglašene su sa aktualnim sigurnosnim standardima; zbog toga, u slučaju bilo kakvog oštećenja aparata ili kabela za napajanje, treba ga popraviti ili zamijeniti distributer, servisni centar ili stručnjak i ovlašteni serviser da bi se izbjegla opasnost. Nepravilni ili nestručni popravci mogu biti opasni i ugroziti korisnika.
- Ovaj aparat je namijenjen isključivo za upotrebu u domaćinstvima i za slične primjene, kao što su:
  - mala kuhinja za
  - zaposlene u trgovinama, uredima i drugim radnim

okruženjima;

- kuće na farmama,
  - potrebe klijenata u hotelima, motelima i drugim stambenim objektima;
  - objekti koji nude prenoćište i doručak.
- Nije namijenjena za komercijalnu upotrebu.
  - Ne pokušavajte uključiti pećnicu kad su joj vrata otvorena; u protivnom možete biti izloženi štetnoj energiji mikrovalne pećnice. Zaštitne brave se ne smiju onemogućavati niti mijenjati.
  - Mikrovalna pećnica namijenjena je zagrijavanju hrane i pića. Sušenje hrane ili odjeće i zagrijavanje jastučića za podgrijavanje, papuča, spužvi, vlažnih krpa i slično može dovesti do opasnosti od ozljeda, paljenja ili požara.
  - Ne stavljajte nikakve predmete između prednje strane i vrata pećnice. Ne dopustite da se na površini zatvarača nakupe prljavština ili ostaci sredstava za čišćenje.

# 1 Važna uputstva i upozorenja za bezbjednost i okolinu

- Sve servisne radove koji uključuju uklanjanje poklopca koji pruža zaštitu od izlaganja mikrovalnoj energiji moraju izvesti ovlaštene osobe/servis. Svaki drugi pristup je opasan.
- Vaš proizvod je namijenjen za kuhanje, zagrijavanje i odmrzavanje hrane kod kuće. Ne smije se koristiti u komercijalne svrhe.
- Vaša pećnica nije dizajnirana za sušenje bilo kojeg živog bića.
- Ne koristite aparat za sušenje veša ili kuhinjskih peškira.
- Ne koristite ovaj aparat na otvorenom, u kupaonicama, u vlažnom okruženju ili na mjestima gdje se može naknasiti.
- Ne preuzimamo nikakvu odgovornost niti dajemo jamstvo u slučaju štete nastale usljed zlouporabe ili nepravilnog rukovanja aparata.
- Nikada ne pokušavajte demontirati aparat. Ne prihvaćaju se jamstveni zahtjevi za oštećenja uzrokovana nepravilnim rukovanjem.
- Koristite samo originalne dijelove ili one dijelove koje preporuča proizvođač.
- Nemojte ostavljati aparat bez nadzora kada se koristi.
- Aparat uvijek koristite na stabilnoj, ravnoj, čistoj, suhoj i neklizajućoj površini.
- Aparat ne treba koristiti s vanjskim tajmerom ili odvojenim sistemom daljinskog upravljanja.
- Prije prve uporabe aparata očistite sve dijelove. Pogledajte detalje navedene u odjeljku „Čišćenje i održavanje”.
- Aparat koristite samo za predviđenu svrhu i u skladu sa opisom u ovom priručniku.
- Aparat se jako zagrijava dok je u upotrebi. Pazite da ne dodirujete vruće dijelove pećnice.
- Ne koristite pećnicu praznu.
- Posuđe za kuhanje može se zagrijati zbog topline koja se iz zagrijane hrane prenosi na posuđe. Za držanje pribora možda će vam trebati toplinski otporne rukavice za uporabu u pećnici.

# 1 Važna uputstva i upozorenja za bezbjednost i okolinu

- Potrebno je provjeriti da li je posuđe prikladno za uporabu u mikrovalnim pećnicama.
- Ne stavljajte pećnicu na peći ili druge aparate koji stvaraju toplinu. U suprotnom se može oštetiti i jamstvo prestaje važiti.
- Prilikom otvaranja poklopca ili folije nakon kuhanja hrane može izlaziti para.
- Aparat i njegove pristupačne površine mogu biti jako vruće dok se aparat koristi.
- Vrata i vanjsko staklo mogu biti jako vrući dok se aparat koristi.
- Uvjerite se da je vaša električna mreža u skladu sa informacijama navedenima na serijskoj pločici aparata.
- Jedini način da isključite aparat iz napajanja je da izvučete utikač iz utičnice.
- Aparat koristite samo sa uzemljenom utičnicom.
- Nikada ne koristite aparat ako je kabel za napajanje ili aparat oštećen.
- Ne koristite ovaj aparat s produžnim kabelom.
- Nikada ne dodirujte aparat ili njegov utikač vlažnim ili mokrim rukama.
- Postavite aparat tako da se utikaču uvijek može lako pristupiti.
- Spriječite da se kabel za napajanje ošteti gnječenjem, savijanjem ili na oštrim rubovima. Kabel za napajanje držite dalje od vrućih površina i otvorenog plamena.
- Uvjerite se da nema opasnosti da bi se električni kabel mogao slučajno povući ili bi se netko mogao spotaknuti o njega dok je aparat u upotrebi.
- Iskopčajte aparat prije svakog čišćenja ili kada se aparat ne koristi.
- Nemojte povlačiti kabel za napajanje aparata da biste ga odvojili od napajanja i nikada nemojte omotati kabel za napajanje oko aparata.
- Nemojte potapati aparat, kabel za napajanje ili utikač u vodu ili bilo koju drugu tekućinu. Ne držite ga pod tekućom vodom.

# 1 Važna uputstva i upozorenja za bezbjednost i okolinu

- Prilikom zagrijavanja hrane u plastičnim ili papirnatim posudama, nadgledajte pećnicu zbog mogućnosti paljenja.
- Uklonite žičane niti i/ili metalne ručke iz papirnih ili plastičnih vrećica prije stavljanja vrećica u pećnicu.
- Ako se primijeti dim, isključite ili istaknite aparat iz utičnice ako to možete učiniti na siguran način, te držite vrata zatvorena kako biste ugušili plamen.
- Ne koristite mikrovalnu pećnicu za skladištenje. Ne ostavljajte papirnate predmete, materijal za kuhanje ili hranu u pećnici dok se ne koristi.
- Sadržaj bočica za hranjenje i staklenki s dječjom hranom treba promiješati ili protresti i provjeriti temperaturu prije konzumiranja, kako bi se izbjegle opekotine.
- Ovaj aparat je ISM oprema Grupe 2 klase B. Grupa 2 sadrži svu ISM (industrijsku, znanstvenu i medicinsku) opremu u kojoj se radiofrekvencijska energija namjerno proizvodi i/ili koristi u obliku elektromagnetskog zračenja za obradu materijala i opremu za eroziju iskrom.
- Oprema klase B pogodna je za uporabu u domaćim ustanovama i objektima koji su direktno povezani na niskonaponsku mrežu za napajanje.
- Ne koristite ulje za pečenje u pećnici. Vruće ulje može oštetiti komponente i materijale pećnice, pa čak može izazvati i opekotine na koži.
- Probodite hranu s debelom korom poput krumpira, tikvica, jabuka i kestena.
- Aparat mora biti postavljen tako da je stražnja strana okrenuta prema zidu.
- Prije premještanja aparata, pričvrstite rotirajuću ploču kako biste spriječili oštećenja.
- Jaja u ljusci i cijela tvrdo kuhana jaja ne smiju se zagrijavati u mikrovalnoj pećnici jer mogu eksplodirati, čak i nakon završetka zagrijavanja u mikrovalnoj pećnici.

# 1 Važna uputstva i upozorenja za bezbjednost i okolinu

**UPOZORENJE:** Ako su vrata ili brtve vrata oštećeni, pećnicu ne smijete koristiti dok je ne popravi stručna osoba.

**UPOZORENJE:** Opasno je za bilo koga osim za stručnu osobu da izvrši bilo kakav servis ili popravku koja uključuje uklanjanje poklopca koji štiti od izlaganja mikrovalnoj energiji.

**UPOZORENJE:** Tekućine i druga hrana ne smiju se zagrijavati u zatvorenim posudama jer mogu eksplodirati.

- Pećnicu treba redovno čistiti i uklanjati sve naslage hrane.
- Iznad gornje površine pećnice treba ostaviti najmanje 20 cm slobodnog prostora.
- Nemojte previše kuhati hranu; u suprotnom možete izazvati požar.
- Nemojte čistiti aparat kemikalijama i sredstvima za čišćenje na bazi pare.
- Savjetuje se krajnji oprez pri upotrebi u blizini djece i osoba ograničenih fizičkih, osjetilnih ili mentalnih sposobnosti.
- Ovaj aparat mogu koristiti djeca koja imaju 8 ili više godina i osobe

koje imaju ograničene fizičke, osjetilne ili mentalne sposobnosti ili nemaju znanja i iskustva, sve dok su pod nadzorom u pogledu sigurne upotrebe proizvoda ili su upućeni na odgovarajući način ili razumiju rizike korištenja proizvoda. Djeca se ne bi trebala igrati s aparatom. Postupci čišćenja i održavanja od strane korisnika ne bi trebala obavljati djeca ukoliko nisu pod nadzorom.

- **Opasnost od gušenja!** Ambalažne materije držite dalje od djece.
- Zbog prekomjerne topline koja nastaje prilikom načina rada gril i kombiniranog načina rada, djeci je dopušteno koristiti ove načine samo pod nadzorom odrasle osobe.
- Držite proizvod i njegov kabel za napajanje tako da im djeca mlađa od 8 godina ne mogu prići.
- Ne kuhajte hranu direktno na staklenom pladnju. Stavite hranu u/na odgovarajuće kuhinjsko posuđe prije nego što ga stavite u pećnicu.

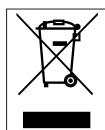


# 1 Važna uputstva i upozorenja za bezbjednost i okolinu

- Metalne posude za hranu i piće nisu dozvoljene tokom kuhanja u mikrovalnoj pećnici. U suprotnom može doći do iskrenja.
- Ovaj proizvod nije dizajniran za ugradnju. Nemojte postavljati
- proizvod u ormariću ili kutiji dok je u upotrebi.

## 1.2 Usaglašenost sa direktivom WEEE i Odlaganje otpadnog proizvoda:

Ovaj proizvod je usklađen s Direktivom EU WEEE (2012/19/EU). Ovaj proizvod nosi simbol klasifikacije za odlaganje električne i elektronske opreme (WEEE).



Ovaj simbol označava da ovaj proizvod ne treba odlagati sa ostalim otpadom iz domaćinstva na kraju vijeka upotrebe. Korišteni aparat mora se vratiti u službeno zbirno mjesto za recikliranje električnih i elektronskih uređaja. Da biste pronašli ove sisteme za prikupljanje, obratite se lokalnim nadležnim organima ili prodavaču kod kojeg je proizvod kupljen. Svako domaćinstvo igra važnu ulogu u obnavljanju i recikliranju starog aparata. Odgovarajuće odlaganje korišćenog aparata pomaže u sprječavanju potencijalnih negativnih posljedica po životnu sredinu i zdravlje ljudi.

## 1.3 Usklađenost sa RoHS direktivom:

Proizvod koji ste kupili je usklađen s Direktivom EU RoHS (2011/65/EU). On ne sadrži štetne i zabranjene materijale navedene u Direktivi.

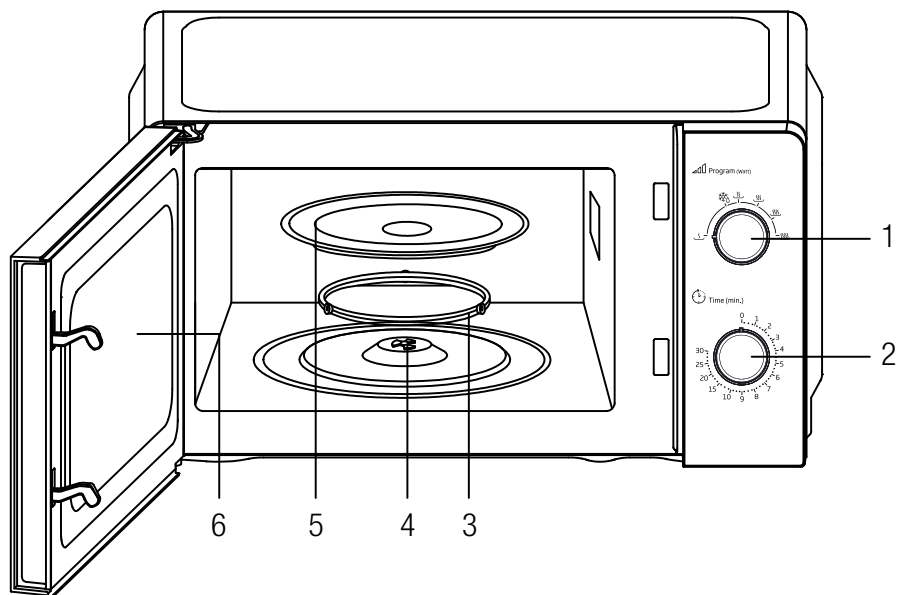
## 1.4 Informacija o ambalaži



Ambalaža proizvoda je proizvedena od sekundarnih sirovina u skladu s našim nacionalnim propisima za zaštitu okoliša. Ne bacajte ambalažu sa kućnim ili drugim otpadom. Onesite je do sabirnih centara za ambalažu koje su odredile lokalne vlasti.

## 2 Vaša mikrovalna pećnica

### 2.1 Pregled



### Kontrole i dijelovi

1. Okruglo dugme za uključivanje/isključivanje
2. Okruglo dugme za tajmer
3. Rotirajući prsten
4. Vratilo
5. Stakleni pladanj
6. Prozor pećnice

### 2.2 Tehnički podaci

<b>Nazivni napon</b>	230-240V~,50Hz
<b>Nazivni ulaz</b>	1100W (mikrovalna)
<b>Nazivni izlaz</b>	700W
<b>Mikrovalna frekvencija</b>	2450MHz
<b>Nivo snage mikrovalne pećnice</b>	6
<b>Vanjske dimenzije (V*Š*D) mm</b>	243*446*340 mm
<b>Stakleni gramofon</b>	245 mm
<b>Kapacitet pećnice</b>	20 L
<b>Neto težina</b>	10 kg
<b>Boja</b>	Bijela / Crna / Srebrna

Prava na tehničke i dizajnerske izmjene su rezervisana.

Oznake na uređaju ili vrijednosti navedene u drugim dokumentima isporučeni sa proizvodom su vrijednosti dobijene u laboratorijskim uslovima prema relevantnim standardima. Ove vrijednosti mogu varirati ovisno o upotrebi aparata i uvjetima okoline.

# 3 Ugradnja i povezivanje

## 3.1 Instalacija

1. Uvjerite se da su svi ambalažni materijali uklonjeni s unutarnje strane vrata.



**UPOZORENJE:** Provjerite da li pećnica ima bilo kakva oštećenja, kao što su vrata koja se ne uklapaju ili su savijena, oštećene zaptivke na vratima i brtvena površina, slomljene ili labave šarke vrata i zasuni i udubljenja u unutarnjim površinama pećnice ili na vratima. Ako postoji bilo kakvo oštećenje, nemojte uključivati pećnicu i obratite se kvalifikovanom serviseru.

2. Ova mikrovalna pećnica mora biti postavljena na ravnu, stabilnu površinu koja može da izdrži njenu težinu i hranu najveće težine koja će se vjerovatno kuhati u pećnici.
3. Ne postavljajte pećnicu na mjesta gdje se stvaraju toplina, vlaga ili visoka vlažnost zraka ili blizu zapaljivih materijala.
4. Za ispravan rad pećnica mora imati dovoljan protok zraka. Ostavite 20 cm prostora iznad pećnice, 10 cm iza i 5 cm s obje strane. Nemojte prekrivati niti blokirati otvore na uređaju. Ne skidajte postolje.
5. Nemojte uključivati pećnicu a da stakleni pladanj, nosača valjka i osovine nisu postavljeni na odgovarajućim pozicijama.
6. Uvjerite se da je kabel za napajanje neoštećen i da ne prolazi ispod pećnice ili preko bilo koje vruće ili oštre površine.
7. Utičnica mora biti lako dostupna tako da se može lako isključiti u hitnim slučajevima.
8. Ne koristite pećnicu na otvorenom.

## 3.2 Ometanje radio signala

Rad mikrovalne pećnice može uzrokovati smetnje vašem radiju, TV-u ili sličnoj opremi.

U slučaju smetnji, ona se može smanjiti ili eliminirati poduzimanjem sljedećih mjera:

1. Očistite vrata i zaptivnu površinu pećnice.
  2. Preusmjerite prijemnu antenu radija ili televizije.
  3. Premjestite mikrovalnu pećnicu u odnosu na prijemnik.
  4. Odmaknite mikrovalnu pećnicu od prijemnika.
  5. Uključite mikrovalnu pećnicu u drugu utičnicu tako da mikrovalna pećnica i prijemnik budu u različitim strujnim kolima.
- Žice u ovom napojnom kabelu su obojene u skladu sa sljedećim kodom:

**Zelena i žuta = UZEMLJENJE**

**Plava = NULA**

**Smeđa = FAZA**

## 3.3 Principi kuhanja u mikrovalnoj pećnici

1. Pažljivo pripremite hranu. Preostale dijelove stavite na vanjsku stranu posude.
2. Obratite pažnju na vrijeme kuhanja. Kuhajte tijekom najkraćeg vremenskog roka a po potrebi vrijeme produžavajte za male vremenske intervale. Prekuhana hrana može uzrokovati dim ili može izgorjeti.
3. Pokrijte hranu tokom kuhanja. Pokrivanje hrane sprječava prskanje i pomaže da se hrana ravnomjerno skuha.
4. Okrenite hranu poput živine i hamburgera dok ih pečete u mikrovalnoj pećnici kako biste ubrzali kuhanje ove vrste hrane. Veća hrana, poput pečenja, mora se okrenuti barem jednom.
5. Usred kuhanja hranu, poput čufti, okrenite i zamijenite njihova mjesta od sredine jela prema van.

## 3.4 Uputstva za uzemljenje

Ovaj aparat mora biti uzemljen. Ova pećnica ima kabel za uzemljenje sa uzemljenim utikačem. Aparat mora biti priključen na zidnu utičnicu pravilno instaliranu i uzemljenu. Sustav uzemljenja dopušta propuštanje žice za električnu struju u slučaju kratkog spoja i smanjuje rizik od strujnog

# 3 Ugradnja i povezivanje

udara. Preporučujemo korištenje električnog kola namijenjenog pećnici. Rad s visokim naponom opasan je i može uzrokovati požar ili druge nesreće koje bi mogle oštetiti pećnicu.



**UPOZORENJE:** Zloupotreba utikača za uzemljenje može uzrokovati električni udar.



Ako imate pitanja o uzemljenju i električnim uputama, obratite se kvalificiranom električaru ili servisnom osoblju.



Proizvođač i/ili prodavac ne preuzimaju nikakvu odgovornost za ozljede ili oštećenja pećnice do kojih može doći ako se ne poštuju procedure električnog povezivanja.

(2,54 cm) između folije i unutarnjih zidova pećnice.

Lista u nastavku je opći vodič koji će vam pomoći da odaberete pravi kuhinjski pribor.

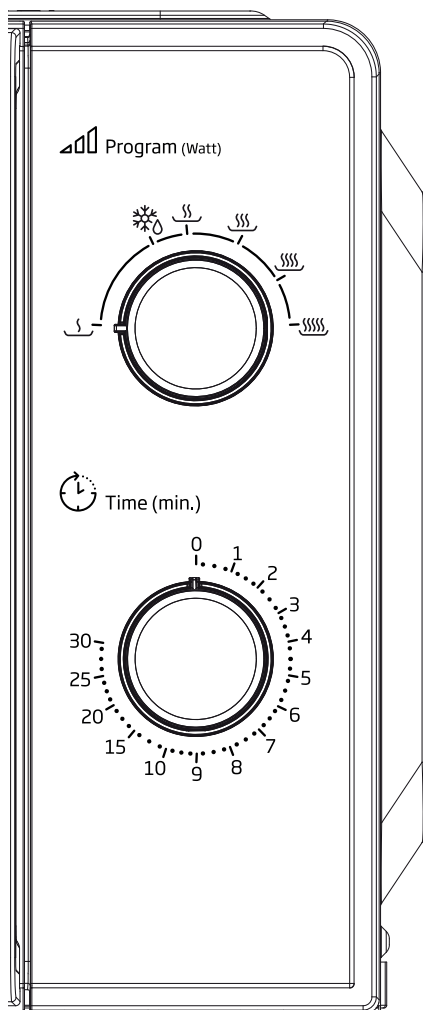
Posuđe	Mikrovalna
Staklo otporno na toplinu	Da
Staklo koje nije otporno na toplinu	Ne
Keramika otporna na toplinu	Da
Plastična posuda sigurna za korištenje u mikrovalnoj pećnici	Da
Papir za pečenje	Da
Metalni pladanj	Ne
Metalni stalak	Ne
Posude od aluminijumske folije i folije	Ne

## 3.5 Vodič za kuhinjski pribor

1. Mikrovalna pećnica ne može prodrjeti u metal. Koristite samo pribor koji je prikladan za upotrebu u mikrovalnim pećnicama. Metalne posude za hranu i piće nisu dozvoljene tokom kuhanja u mikrovalnoj pećnici. Ovaj zahtjev nije primjenjiv ako proizvođač odredi veličinu i oblik metalnih posuda pogodnih za kuhanje u mikrovalnoj pećnici.
2. Mikrovalna pećnica ne može prodrjeti u metal, tako da se ne smije koristiti metalni pribor ili posuđe s metalnim ukrasima.
3. Nemojte koristiti reciklirane papirne proizvode za kuhanje u mikrovalnoj pećnici, jer mogu sadržavati sitne metalne dijelove koji mogu uzrokovati varnice i/ili požar.
4. Preporučuju se okrugle/ovalne posude, a ne četvrtaste/duguljaste, jer hrana u uglovima ima tendenciju da se prekuha.
5. Uske trakaste aluminijumske folije mogu se koristiti kako bi se spriječilo prekuhavanje izloženih područja. Ali vodite računa, nemojte ih koristiti previše i stavite ih na rastojanje od 1 inča

# 4 Rad uređaja

## 4.1 Kontrolna tabla



Kontrolna ploča se sastoji od operatora dvije funkcije. Jedno je dugme za tajmer, a drugo dugme za uključivanje/isključivanje.

### Okruglo dugme za uključivanje/isključivanje

Koristite ovo okruglo dugme za uključivanje/isključivanje da odaberete nivo snage kuhanja. To je prvi korak za početak sesije kuhanja.

### Okruglo dugme za tajmer

Nude se vizualne postavke vremena laganim okretanjem palca kako biste odabrali željeno vrijeme kuhanja do 30 minuta po sesiji kuhanja.

### Kuhanje u mikrovalnoj pećnici

Za potpuno kuhanje u mikrovalnoj pećnici, postoji šest nivoa snage od kojih možete izabrati onaj koji vam najviše odgovara za postizanje željenih rezultata.

Nivo snage se povećava okretanjem okruglog dugmeta u smeru kazaljke na satu. Nivoi snage se mogu klasificirati na sljedeće:

	Izlazna snaga	Opis
1	100%	Visoka
2	88%	Srednje visoka
3	73%	Srednja
4	52%	Srednje niska
5	42%	Odmrzavanje
6	20%	Niska

## 4.2 Rad

Da započnete sesiju kuhanja,

1. stavite hranu u pećnicu i zatvorite vrata.
2. Okrenite okruglo dugme za uključivanje/isključivanje (1) da odaberete nivo snage.
3. Koristite okruglo dugme tajmera (2) da podesite vrijeme kuhanja



Čim se tajmer okrene, pećnica počinje da kuha. Prilikom odabira vremena za manje od 2 minute, okrenite tajmer nakon 2 minute, a zatim se vratite na tačno vrijeme.



**OPREZ:** Uvijek vratite tajmer na nultu poziciju ako se hrana izvadi iz pećnice prije nego što je postavljeno vrijeme kuhanja završeno ili kada pećnica nije u upotrebi. Da biste zaustavili pećnicu tokom procesa kuhanja, pritisnite dugme za otpuštanje vrata ili otvorite vrata pomoću ručke.

# 5 Čišćenje i održavanje

## 5.1 Čišćenje i održavanje



**UPOZORENJE:** Nikada ne koristite benzin, rastvarače, abrazivna sredstva za čišćenje, metalne predmete ili tvrde četke za čišćenje uređaja.



**UPOZORENJE:** Nikada ne uranjajte uređaj ili strujni kabl u vodu ili neku drugu tečnost.

1. Isključite uređaj iz struje i izvucite utikač iz utičnice u zidu.
2. Sačekajte da se uređaj potpuno ohladi.
3. Održavajte unutrašnjost pećnice čistom. Brišite vlažnom krpom ako se rasipana hrana ili tečnost zaljepe za zidove pećnice. Koristite blag deterđent ako se pećnica dosta zaprlja. Izbjegavajte sprejeve i gruba sredstva za čišćenje jer mogu izazvati fleke, ogrebotine ili tamnjenje površina na vratima.
4. Spoljašnje površine pećnice se moraju čistiti vlažnom krpom. Ne dozvolite da voda prodre u ventilacione otvore kako se djelovi pećnice ne bi oštetili.
5. Često brišite obe strane vrata i staklo, gume na vratima i djelove uređaja u blizini gume vlažnom krpom, kako biste uklonili fleke od prskanja. Ne koristite abrazivna sredstva za čišćenje.
6. Parni čistač se ne koristi.
7. Ne dozvolite da se kontrolna tabla nakvasi. Čistite je mekom vlažnom krpom. Ostavite otvorena vrata pećnice kako ne biste slučajno uključili neku funkciju dok čistite kontrolnu tablu.
8. Ako se para nakupi unutar ili oko vrata pećnice, obrišite vlagu mekom krpom. To se može desiti kada mikrovalna pećnica radi u vlažnim uslovima. Ovo je sasvim normalno.
9. U nekim slučajevima ćete morati da skinete stakleni tanjir i očistite ga. Operite tanjir u toploj vodi sa sapunicom ili u mašini za pranje sudova.
10. Prsten i plafon pećnice se moraju redovno čistiti kako se ne bi javljala buka. Dovoljno je obrisati površinu mekom krpom sa blagim deterđentom. Prsten se može prati u vodi sa sapunicom ili u mašini za pranje sudova. Kada skinete prsten iz pećnice radi čišćenja, provjerite da li ste ga pravilno vratili na mjesto.
11. Kako biste uklonili neprijatne mirise iz pećnice, stavite čašu vode sa korom i sokom limuna u duboku posudu koja se može koristiti u mikrovalnoj pećnici i uključite pećnicu na 5 minuta u režimu mikrovalne pećnice. Dobro obrišite i osušite mekom krpom.
12. Molimo Vas, kontaktirajte ovlašćenog servisera ukoliko je potrebno da se zamjeni sijalica u pećnici.
13. Pećnica se mora redovno čistiti i potrebno je ukloniti sve ostatke hrane. Ako pećnica nije čista, može doći do oštećenja površina, što može uticati na vijek trajanja pećnice i izazvati moguć rizik za korisnika.
14. Molimo Vas, ne bacajte stari uređaj sa običnim otpadom iz domaćinstva; stare pećnice je potrebno odneti u centre za reciklažu.
15. Kada se mikrovalna pećnica koristi sa funkcijom grila, može se javiti mala količina dima i mirisa koji će nestati nakon određenog vremena korišćenja.

## 5.2 Čuvanje

- Ako ne planirate da koristite uređaj duže vrijeme, molimo Vas da ga pažljivo odložite.
- Molimo vas, provjerite da li je uređaj isključen, hladan i potpuno suv.
- Ostavite uređaj na suvo i hladno mjesto.
- Držite uređaj van domašaja djece.

## 5 Čišćenje i održavanje

### 5.3 Baratanje i transport

- Tokom premeštanja i transporta nosite uređaj spakovan u originalnu ambalažu. Ambalaža štiti uređaj od fizičkih oštećenja.
- Ne stavljajte teret na uređaj ili na ambalažu. Uređaj se može oštetiti.
- Pazite da Vam uređaj ne padne na pod, jer to može izazvati trajna oštećenja i kvar uređaja.

## 6 Pomoć u rješavanju problema

Problem	Moguće rješenje
Ako pećnica ne radi	Provjerite da li je pećnica sigurno priključena na napajanje električnom energijom. Ako nije, izvadite utikač iz utičnice, pričekajte 10 sekundi i ponovo ga čvrsto uključite.
	Provjerite je li pregorio osigurač ili glavni prekidač. Ako se čini da oni rade ispravno, testirajte utičnicu drugim uređajem.
	Provjerite da li je kontrolna tabla ispravno programirana i da je tajmer podešen.
	Provjerite jesu li vrata dobro zatvorena uključivanjem sigurnosnog zaključavanja vrata. U suprotnom, mikrovalna energija neće se emitovati u pećnicu.
Ako ništa od gore navedenog ne popravi situaciju, kontaktirajte kvalifikovanog tehničara. Ne pokušavajte sami da podesite ili popravite pećnicu.	

Arçelik A.Ş.  
Karaağaç Caddesi No: 2-6, 34445,  
Sütlüce, İstanbul, Türkiye

[www.beko.com](http://www.beko.com)