



Chest Freezer

Instruction of use

Zamrażarka

Instrukcja obsługi

Truhlicová Mraznička

Pokyny pro používání

Pultová Mraznička

Návod na použitie

Фризер Ракла

Инструкции за употреба

Hűtőláda

Használati útmutató



HS221530N

EN-PL-CZ-SK-BG-HU



WARNING!

In order to ensure a normal operation of your refrigerating appliance, which uses a completely environmentally friendly refrigerant the R600a (flammable only under certain conditions) you must observe the following rules:

- ♦ Do not hinder the free circulation of the air around the appliance.
- ♦ Do not use mechanical devices in order to accelerate the defrosting, others than the ones recommended by the manufacturer.
- ♦ Do not destroy the refrigerating circuit.
- ♦ Do not use electric appliances inside the food keeping compartment, other than those that might have been recommended by the manufacturer.

UWAGA!

Aby zapewnić normalną pracę tej, wykorzystującej całkowicie przyjazny środowisku (łatwopalny tylko w pewnych warunkach) środek chłodniczy R600a, chłodziarko-zamrażarki, należy przestrzegać następujących zasad:

- ♦ Nie należy blokować swobodnego przepływu powietrza wokół chłodziarko-zamrażarki.
- ♦ W celu przyspieszenia rozmrażania nie należy używać żadnych innych urządzeń mechanicznych niż zalecane przez producenta.
- ♦ Nie wolno uszkodzić obwodu chłodniczego.
- ♦ Wewnątrz komory przechowywania żywności nie należy używać żadnych innych urządzeń elektrycznych niż ewentualnie zalecanych przez producenta.

VAROVANIE!

Aby sa zabezpečila normálna prevádzka vašej chladničky, ktorá používa úplne ekologické chladivo R 600a (horľavé len pri určitých podmienkach), musíte dodržiavať nasledujúce pravidlá:

- ♦ Nebráňte voľnej cirkulácii vzduchu okolo spotrebiča.
- ♦ Nepoužívajte mechanické prístroje na urýchľovanie rozmrazovacieho procesu, iné ako odporúča výrobca.
- ♦ Neporušujte chladiaci okruh.
- ♦ Nepoužívajte elektrické spotrebiče vo vnútri priestoru na skladovanie potravín, okrem tých, ktoré odporúča výrobca.

UPOZORNĚNÍ!

Pro zajištění normálního provozu chladicího spotřebiče, který používá zcela ekologické chladivo R 600a (hořlavé pouze za určitých podmínek), je třeba dodržet následující pravidla:

- ♦ Nezabraňujte volné cirkulaci vzduchu v okolí spotřebiče.
- ♦ Nepoužívejte jiné mechanické prostředky pro urychlení odmrazování, než doporučuje výrobce.
- ♦ Nepoškodte chladicí okruh.
- ♦ Nepoužívejte jiné elektrické spotřebiče uvnitř potravinového oddělení se signalizací, než doporučuje výrobce.

ВНИМАНИЕ!

Вашия апарат съдържа хладилна течност R600a (запалим само при определени условия) газ от естествен произход който е силно съвместим със изискванията за опазване на околната среда. За да осигурите нормална работа на Вашият уред моля спазвайте следните правила:

- ♦ Осигурете нормална вентилация на уреда.
- ♦ Не използвайте механични устройства за размразяване на уреда, освен тези препоръчни от производителя.
- ♦ Не наранявайте хладилната верига.
- ♦ Не използвайте електрически уреди вътре в апарата.

FIGYELMEZTETÉS!

Az I, R600a (csak bizonyos körülmények között gyúlékony) teljesen környezetberát gázzal működő hűtőberendezés normális működésének eléréséhez, kövesse a következő szabályokat:

- ♦ Ne gátolja a levegő keringését a készülék körül!
- ♦ Ne használjon más mechanikus eszközöket a gyorsabb felolvasztás érdekében, mint amit a gyártó ajánl!
- ♦ Ne szakítsa meg a hűtőközeg keringésrendszerét!
- ♦ Ne használjon más elektromos eszközöket a mélyfagyasztó részben, mint amiket a gyártó javasolhat!

EN**Content**

Advice for recycling of the old appliance /1
Packing Recycling /2
Transport instructions /2
Warnings and special advice /2
Setting up /3
Electric connection /3
Switching off /4
Appliance description /4
Freezer operation /4
Advice for food conservation /5
Defrosting of the appliance /5
Cleaning of the appliance /6
Defects finding guide /6

PL**Spis treści**

Odzysk starego urządzenia /8
Odzysk opakowania /9
Instrukcje transportu i ustawienia /9
Środki ostrożności w trakcie użytkowania /9
Montaż /10
Podłączenie do zasilania /11
Odłączanie /11
Uruchamianie /11
Zapoznaj się z twoim urządzeniem /11
Funkcje zamrażarki /11
Przechowywanie żywności /12
Rozmrażanie /13
Czyszczenie i konserwacja /13
Rozwiązywanie podstawowych problemów /14
Gwarancja jakości /15

SK**Obsag**

Rada pre recyklovanie starého zariadenia /16
Recyklovanie balenia /17
Pokyny pre prepravu /17
Varovania a všeobecné rady /17
Nastavenie /18
Zapojenie do siete /18
Vypínanie /18
Opis zariadenia /19
Rada pre uchovanie jedla /19
Odmrazovanie zariadenia /20
Čistenie zariadenia /20
Príručka odstraňovania závad /21

CZ**Obsag**

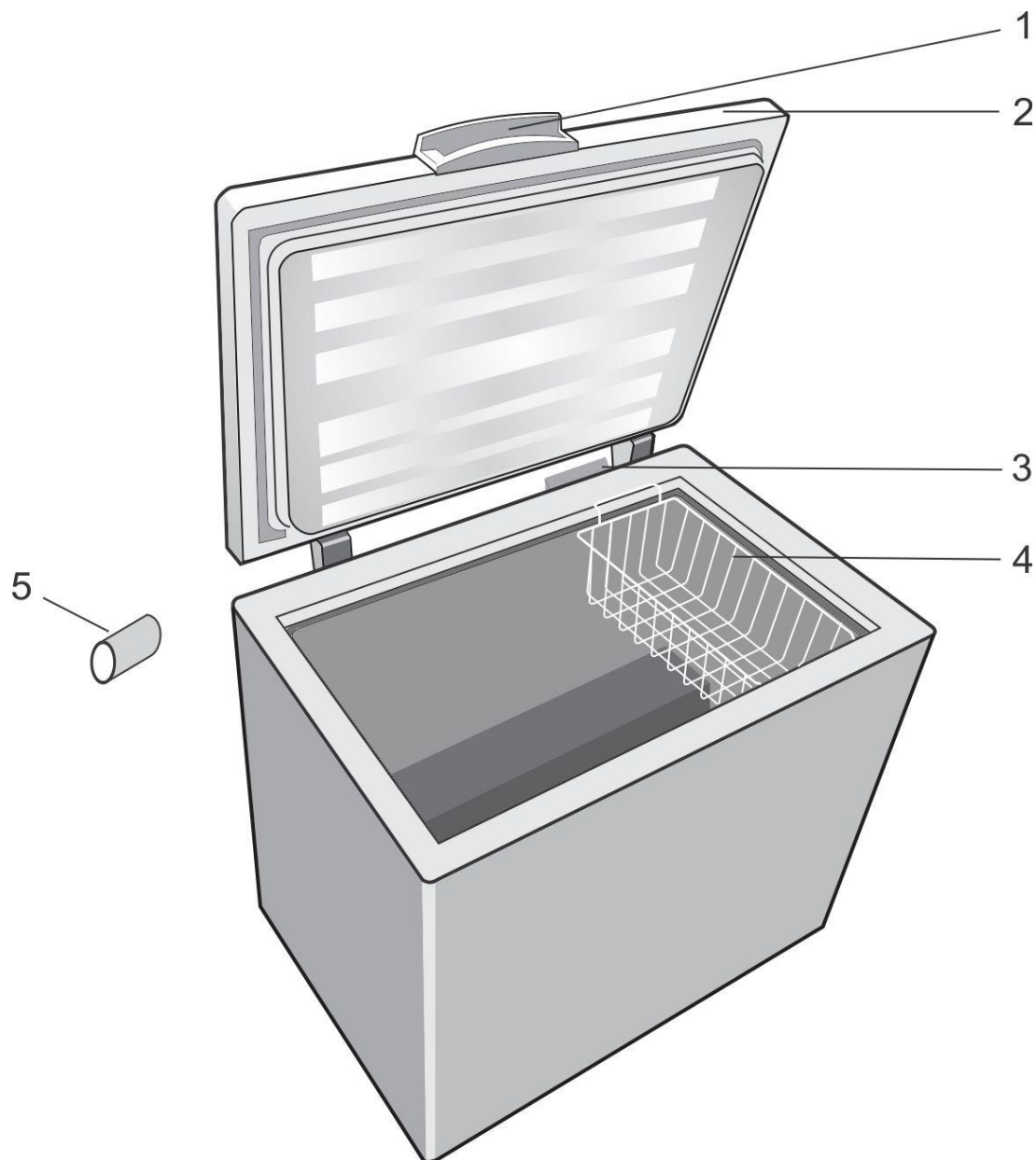
Recyklace starého spotřebiče /22
Recyklace obalu /23
Přepravní pokyny /23
Upozornění a zvláštní rady /23
Nastavení /24
Elektrické zapojení /24
Vypnutí /25
Popis spotřebiče /25
Provoz mrazničky /25
Uchovávání potravin /26
Odmrazování /27
Čištění spotřebiče /27
Odstraňování závad /27

БГ**Съдържание**

Поздравяваме Ви за вашия избор! /29
Ръководство за ползване /30
Инструкции за транспорт /30
Предупреждение и общи съвети /30
Монтаж на уреда /31
Свързване с електрическата мрежа /32
Ръководство за ползване /32
Работа с апарата /32
Описание на уреда /32
Работа с фризера /32
Ръководство за ползване /33
Ръководство за ползване /34
Почистване от вътре /34
Почистване от вън /34
Ръководство за ползване /35
Шум по време на работа на апарата /36

HU**Tartalom**

Tanácsok a régi készülék hasznosításához /37
Csomagolás hasznosítása /38
Szállítási előírások /38
Figyelmeztetések és általános tanácsok /38
Beüzemelés /39
Elektromos csatlakozás /39
Kikapcsolás /39
A készülék leírása /40
A fagyasztó működése /40
Tartósítási tanácsok /40
Leolvasztás /41
Belső tisztítás /42



1

i Figures that take place in this instruction manual are schematic and may not correspond exactly with your product. If the subject parts are not included in the product you have purchased, then it is valid for other models.

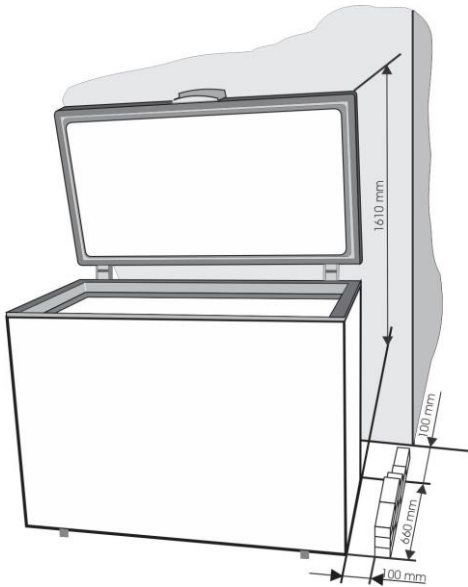
i Rysunki w niniejszej instrukcji to tylko schematy i nie muszą ściśle odpowiadać Waszemu modelowi chłodziarki. Jeśli pewnych części nie ma w Waszej chłodziarce, to znaczy, że odnoszą się do innych modeli.

i Sestava uvedená v tomto manuálu k použití je pouze schematická a nemusí přesně odpovídat Vašemu produktu. Pokud produkt, který jste nakoupil nezahrnuje určité součásti, ty platí pro jiné modely.

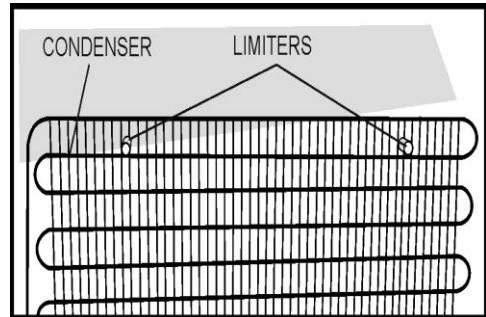
i Obrázky v tejto príručke k obsluhu sú schematické a nemusia sa presne zhodovať s vaším produktom. Ak produkt, ktorý ste si zakúpili, nedisponuje uvádzanými časťami, potom sa to týka iných modelov.

i Фигурите, в настоящето ръководство за употреба, са схематични и може да не отговарят точно на вашия уред. Ако споменатите части липсват във вашия уред, то те важат за други модели.

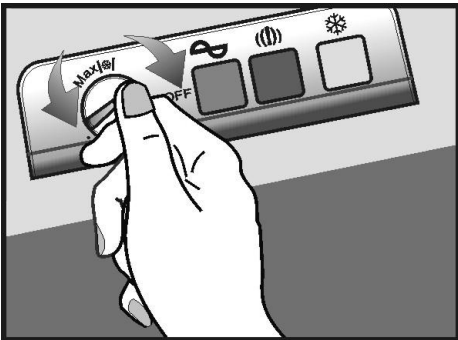
i A használati útmutatóban található képek szemléltető jellegűek, nem a valódi terméket ábrázolják. Amennyiben olyan részeket talál, melyek nem találhatók meg, az Ön által megvásárolt termékben, akkor azok más modellekre vonatkoznak.



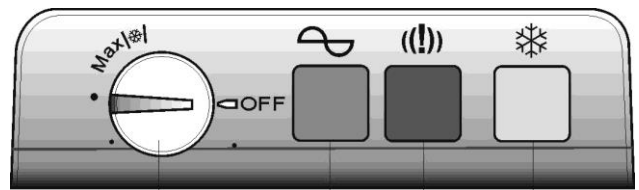
2



3



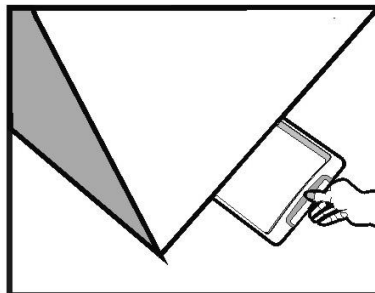
4



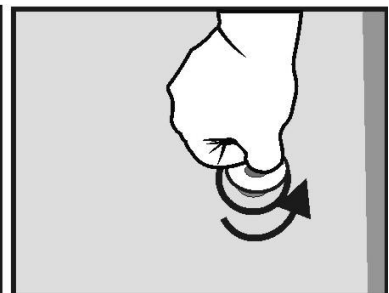
5



1



2



3

6

Congratulations for your choice!

The chest freezer you have purchased is one in the BEKO products range and represents a harmonious joining between the refrigeration technique with the aestetical outlook. It has a new and attractive design and is built according to the European and national standards which guarantee its operation and safety features. At the same time, the used refrigerant, R600a, is environment-friendly and it does not affect the ozone layer.

In order to use the best your freezer, we advise you to read carefully the information in these user instructions.

Advice for recycling your old appliance

If your newly purchased appliance replaces an older appliance, you must consider a few aspects.

The old appliances are not valueless scrap. Their disposal, while preserving the environment, allows the recovery of important raw materials.

Make your old appliance useless :

- disconnect the appliance from the supply;
 - remove the supply cord (cut it);
 - remove the eventual locks on the door to avoid the blocking of children inside, while playing, and the endangering of their lives.
- The refrigerating appliances contain insulating materials and refrigerants which require a proper recycling.

Original Spare parts will be provided for 10 years, following the product purchasing date.

This appliance is not intended for use by person with reduced physical, sensory or mental capabilities or lack of experience and knowledge unless they have been given supervision or instruction concerning use of the appliance by a person responsible for their safety. Children should be supervised to ensure that they do not play with the appliance.

Packing Recycling

WARNING!

Do not allow children to play with the packing or with parts of it. There is the risk of suffocation with parts of corrugated cardboard and with plastic film.

In order to get to you in good condition, the appliance was protected with a suitable packing. All the materials of the packing are compatible with the environment and recyclable. Please help us recycle the packing while protecting the environment !

IMPORTANT!

Before putting the appliance in operation, read carefully and entirely these instructions. They contain important information concerning the setting up, use and maintenance of the appliance.

The manufacturer is free of any responsibility if the information in this document are not observed. Keep the instructions in a safe place in order to reach them easily in case of need. They can also be useful subsequently by another user.

ATTENTION!

This appliance must be used only for its intended purpose, (household use), in suitable areas, far from rain, moisture or other weather conditions.

Transport instructions

The appliance must be transported, as much as possible, only in vertical position. The packing must be in perfect condition during transport.

If during transport the appliance was put in horizontal position (only according to the markings on the packing), it is advised that, before putting it into operation, the appliance is left to rest for 4 hours in order to allow the settling of the refrigerating circuit.

The failure to observe these instructions can cause the breakdown of the motorcompressor and the cancellation of its warranty.

Warnings and general advice

- Do not plug in the appliance if you noticed a failure.
- The repairs must be done only by qualified personel.
- In the following situations please unplug the appliance from the mains:
 - when you defrost completely the appliance;
 - when you clean the appliance.

To unplug the appliance, pull by the plug, not by the cable!

- Ensure the minimum space between the appliance and the wall against which it is placed.
- Do not climb on the appliance.
- Do not allow the children to play or hide inside the appliance.
- Never use electric appliances inside the freezer, for defrosting.
- Do not use the appliance near heating appliances, cookers or other sources of heat and fire.
- Do not leave the freezer door open more than it is necessary to put in or take out the food.
- Do not leave the food in the appliance if it is not working.
- Do not keep inside products containing flammable or explosive gases.
- Do not keep inside fizzy drinks (juice, mineral water, champagne, etc.) in the freezer: the bottle can explode! Do not freeze drinks in plastic bottles.
- Do not eat ice cubes or icecream immediately after having taken them out of the freezer because they may cause „freezer burns”.
- Never touch cold metal parts or frozen food with wet hands because your hands can quickly freeze on the very cold surfaces.
- For the protection of the appliance during warehousing and transport, it is provided with spacers between the door and the cabinet (in the front and rear side). These spacers will be removed before putting the appliance into operation.

- Excess deposit of ice on the frame and the baskets should be removed regularly with the plastic scraper provided. Do not use any metal parts to remove the ice.

The presence of this ice build-up makes impossible to close the door correctly.

- If you do not use your appliance for a few days, it is not advisable to switch it off. If you do not use it for a longer period, please proceed as follows :

- unplug the appliance;
- empty the freezer;
- defrost it and clean it;
- leave the door open to avoid the formation of unpleasant smells.

- If the supply cord is damaged, it must be replaced by the manufacturer, its service agent or similarly qualified persons in order to avoid a hazard.

- If your appliance has a lock, keep it locked and store the key in a safe place, out of the reach of children. If you are discarding an appliance with lock, make sure that, is made ineffective. This is very important so as to avoid children being trapped inside, which may cause their loss of life.

Setting up

This appliance was designed to operate at an ambient temperature between -15°C and $+43^{\circ}\text{C}$. If the ambient temperature is above $+43^{\circ}\text{C}$, inside the appliance the temperature can increase.

Set up the appliance far from any source of heat and fire. Placing it in a warm room, the direct exposure to sunbeams or near a heat source (heaters, cookers, ovens), will increase the energy consumption and shorten the product life.

- Please observe the following minimum distances:

- 100 cm from the cookers working with coal or oil;
- 150 cm from the electric and gas cookers.

- Ensure the free circulation of the air around the appliance, by observing the distances shown in Item 2.

Assemble on the condenser (in the rear side) the supplied spacers. (Item 3).

- Place the appliance in a perfectly even, dry and well ventilated place.

Assemble the supplied accessories.

Electric connection

Your appliance is intended to operate at a single-phase voltage of 220-240V/50 Hz. Before plugging in the appliance, please make sure that the parameters of the mains in your house (voltage, correct type, frequency) comply to the operation parameters of the appliance.

- The information concerning the supply voltage and the absorbed power is given on the marking label placed in the back side of the freezer.

- The electric installation must comply with the law requirements.

- **The earthing of the appliance is compulsory. The manufacturer has no responsibility for any damage to persons, animals or goods which may arise from the failure to observe the specified conditions.**

- The appliance is endowed with a supply cord and a plug (European type, marked 10/16A) with double earthing contact for safety. If the socket is not the same type with the plug, please ask a specialised electrician to change it.

- Do not use extension pieces or multiple adapters.

Switching off

The switching off must be possible by taking the plug out of the socket or by means of a mains two-poles switch placed before the socket.

Operation

Before putting into operation, clean the inside of the appliance (see chapter „Cleaning“). After finishing this operation please plug in the appliance, adjust the thermostat knob to an average position. The green and red LEDs in the signalling block must light. Leave the appliance work for about 2 hours without putting food inside it. The freezing of the fresh food is possible after min. 20 hours of operation.

Appliance description

(Item. 1)

1. Door handle
2. Door
3. Thermostat box
4. Basket
5. Spacer for transport

Freezer operation

Temperature adjustment

The temperature of the freezer is adjusted by means of the knob assembled on the thermostat (item. 4), position „MAX“ being the lowest temperature.

The achieved temperatures can vary according to the conditions of use of the appliance, such as: place of the appliance, ambient temperature, frequency of door opening, extent of filling with food of the freezer. The position of the thermostat knob will change according to these factors. Normally, for an ambient temperature of approx. 32°C, the thermostat will be adjusted on an average position.

The signalling system is placed on the back side of the freezer (Item 5).

It includes:

1. Thermostat adjustment knob – the inside temperature is adjusted.
2. green LED – shows that the appliance is supplied with electric energy.
3. red LED – damage – lights if the temperature in the freezer is too high. The LED will operate 15-45 minutes after the putting into operation of the freezer, then it must go off. If the LED goes on during the operation, this means that defects have occurred.
4. LED Orange– fast freeze function activated – by setting the knob to Superfreeze position the orange led goes on, showing that the appliance entered into the "fast freeze" mode. The exit of this mode is done automatically after 50 hours then the appliance runs in economic mode, and the orange led goes off.

The three LEDs give information about the mode of operation of the freezer.

Advice for food conservation

The freezer is intended to keep the frozen food for a long time, as well as to freeze fresh food.

One of the main elements for a successful food freezing is the packing.

The main conditions that the packing must fulfill are the following: to be airtight, to be inert towards the packed food, to resist to low temperatures, to be proof to liquids, grease, water vapours, smells, to be able to be washed.

These conditions are fulfilled by the following types of packings: plastic or aluminium film, plastic and aluminium vessels, waxed cardboard glasses or plastic glasses.

IMPORTANT!

- For freezing the fresh food please use the supplied baskets of the appliance.
- Do not place into the freezer a too large quantity of food at a time. The quality of the food is best kept if they are deeply frozen as quickly as possible. This is why it is advisable not to exceed the freezing capacity of the appliance specified in the "PRODUCT FICHE".
- The fresh food must not come into contact with the food already frozen.
- The frozen food you have bought can be placed into the freezer without having to adjust the thermostat.
- If the freezing date is not mentioned on the packing, please take into consideration a period of max. 3 months, as a general guide.
- The food, even partially defrosted, cannot be frozen again, it must be consumed immediately or cooked and then refrozen.
- The fizzy drinks will not be kept in the freezer.
- In case of a power failure, do not open the door of the appliance. The frozen food will not be affected if the failure lasts less than 36 hours.

Freezing with Superfrost

- Place the knob to super frost position. The Superfrost lamp comes on.
- Wait 24 hours.
- Place the fresh food in the freezer. In order to achieve fast freezing, food should be in contact with the interior walls when it is placed in the freezer.
- The Superfrost facility automatically switches the fast freezing procedure off after 50 hours.

Important

When you place the knob to Superfrost position, the compressor might not switch on for a few minutes. This is due to the integrated rise-delay switch which is designed to increase the life span of the refrigeration unit.

You should not switch on the Superfrost function:

- when placing frozen food in the freezer;
- when freezing up to approx. 2 kg fresh food daily.

Defrosting of the appliance

- We advise you to defrost the freezer at least twice a year or when the ice layer has an excessive thickness.
 - The ice build-up is a normal phenomenon.
 - The quantity and the rapidity of ice build-up depends on the ambient conditions and on the frequency of the door opening.
 - We advise you to defrost the appliance when the quantity of frozen food is the least.
 - Before defrosting, adjust the thermostat knob to a higher position so that the food stores more cold.
 - Unplug the appliance.
 - Take out the frozen food, wrap it in several sheets of paper and put them in refrigerator or a cool place.
- Use a tray and put it under the freezer in the direction of the dripping tube. Take out the obstructing plug. The water which results will be collected in the tray. After the melting of the ice and the run-off of the water please wipe with a cloth or with a sponge, then dry well. Put the obstruction plug back in its place. (Item. 6) For a fast thaw please leave the door open.

Do not use sharp metal objects to remove the ice.

Do not use hairdriers or other electric heating appliances for defrosting.

Inside cleaning

Before starting the cleaning, unplug the appliance from the mains.

- It is advisable to clean the appliance when you defrost it.
- Wash the inside with lukewarm water where you add some neutral detergent. Do not use soap, detergent, gasoline or acetone which can leave a strong odour.
- Wipe with a wet sponge and dry with a soft cloth.

During this operation, avoid the excess of water, in order to prevent its entrance into the thermal insulation of the appliance, which would cause unpleasant odours.

Do not forget to clean also the door gasket especially the bellow ribs, by means of a clean cloth.

Outside cleaning

- Clean the outside of the freezer by means of a sponge soaked in soapy warm water, wipe with a soft cloth and dry.
- The cleaning of the outside part of the refrigerating circuit (motorcompressor, condenser, connection tubes) will be done with a soft brush or with the vacuum-cleaner. During this operation, please take care not to distort the tubes or detach the cables.

Do not use scouring or abrasive materials !

- After having finished the cleaning, replace the accessories at their places and plug in the appliance.

Defects finding guide

The appliance does not work.

- There is a power failure.
- The plug of the supply cord is not inserted well into the socket.
- The fuse is blown.
- The thermostat is in „OFF” position.

The temperatures are not low enough(red LED on).

- The food prevents the door closing.
- The appliance was not placed correctly.
- The appliance is placed too close to a heat source.
- The thermostat knob is not in the correct position.

Excessive ice build-up

- The door was not closed properly.

The following are not defects

- Possible noddings and cracks coming from the product: circulation of the refrigerant in the system.

Noises during operation

In order to keep the temperature at the value you have adjusted, the compressor of the appliance starts periodically.

The noises which can be heard in such situation are normal.

They are reduced as soon as the appliance reaches the operation temperature.


The humming noise is made by the compressor. It can become a little stronger when the compressor starts.

The bubbling and gurgling noises coming from the refrigerant circulating in the pipes of the appliance, are normal operating noises.

Warning !

Never try to repair yourself the appliance or its electric components. Any repair made by an unauthorised person is dangerous for the user and can result in the warranty cancellation.



The symbol  on the product or on packaging indicates that this product may not be treated as household waste. Instead it shall be handed over to the applicable collection point for the recycling of electrical and electronic equipment. By ensuring this product is disposed of correctly, you will help prevent potential negative consequences for the environment and human health, which could otherwise be caused by inappropriate waste handling of this product. For more detailed information about recycling of this product, please contact your local city office, your household waste disposal service or the shop where you purchased the product.

Gratulujemy dokonania mądrego wyboru!

BEKO to jedna z wiodących marek sprzętu AGD w Europie. Produkty naszej marki to dla konsumentów w ponad 100 krajach synonim funkcjonalności, niezawodności i przystępnej ceny. Obecnie już ponad 250 milionów użytkowników urządzeń BEKO potwierdza, że był to mądry wybór.

Opisana tu zamrażarka jest najnowszym modelem urządzeń chłodniczych wchodzących w skład serii produktów BEKO. Została ona zaprojektowana i wyprodukowana zgodnie z międzynarodowymi normami. Przed przystąpieniem do użytkowania prosimy zapoznać się uważnie z instrukcją obsługi. Zastosowanie się do poniższych zaleceń zagwarantuje uzyskanie optymalnego zużycia energii elektrycznej i zapewnieni bezpieczeństwa eksploatacji oraz uchroni przed powstaniem przypadkowych uszkodzeń.

Oryginalne części zamienne będą dostępne przez 10 lat od daty zakupu produktu.

Używanie urządzenia przez osoby z fizycznymi sensorycznymi lub mentalnymi ograniczeniami powinno odbywać się tylko pod kontrolą osób odpowiedzialnych za ich bezpieczeństwo. Należy dopilnować, aby dzieci nie używały urządzenia do zabawy.

Odzysk starego urządzenia chłodniczego

Jeżeli to urządzenie chłodnicze ma zastąpić urządzenie starsze, to prosimy przeczytać uważnie poniżej podane uwagi.

Stare urządzenia chłodnicze nie są bezużytecznymi odpadkami; usunięcie ich zgodnie z przepisami o ochronie środowiska

naturalnego pozwoli na odzyskanie wielu cenny surowców wtórnych.

Z urządzeniem, którego chcemy się pozbyć należy postąpić w następujący sposób:

- odłączyć je od źródła zasilania;
- odciąć kabel zasilania;
- wymontować wszelkie zamki drzwiowe, aby ochronić dzieci przed zatrzaśnięciem się wewnątrz.

Chłodziarko-zamrażarki zawierają materiały izolacyjne i czynniki chłodnicze, które należy poddać odpowiedniej utylizacji (uzdatnieniu do

ponownego użycia). Urządzenie to zawiera czynnik chłodzący

R600a, który spełnia wymogi norm ochrony środowiska. Prosimy dopilnować tego, aby nie

uszkodzić obiegu chłodniczego i opróżnić z

niego czynnik chłodniczy w sposób zgodny z obowiązującymi przepisami.

Odzysk opakowania

Ostrzeżenie!

Nie należy trzymać opakowań w zasięgu dzieci. Zabawa ze złożonymi kartonami lub arkuszami plastikowymi niesie ze sobą niebezpieczeństwo uduszenia się dziecka. Urządzenie to zostało zapakowane w sposób wystarczający na czas transportu. Wszystkie materiały pakunkowe zostały wyprodukowane zgodnie z przepisami ochrony środowiska i dlatego mogą być poddane odzyskowi. Prosimy o pomoc w ochronie środowiska naturalnego przez umożliwienie ponownego uzdatniania odpadów wszędzie tam, gdzie jest to możliwe.

UWAGA!

To urządzenie jest oznaczone zgodnie z Dyrektywą Europejską 2002/96/WE oraz polską Ustawą o zużytym sprzęcie elektrycznym i elektronicznym symbolem przekreślonego kontenera na odpady.



Takie oznakowanie informuje, że sprzęt ten, po okresie jego użytkowania nie może być umieszczany łącznie z innymi odpadami pochodzącymi z gospodarstwa domowego.

Użytkownik jest zobowiązany do oddania go prowadzącym zbieranie zużytego sprzętu elektrycznego i elektronicznego. Prowadzący zbieranie, w tym lokalne punkty zbiórki, sklepy oraz gminne jednostki, tworzą odpowiedni system umożliwiający oddanie tego sprzętu. Właściwe postępowanie ze zużytym sprzętem elektrycznym i elektronicznym przyczynia się do uniknięcia szkodliwych dla zdrowia ludzi i środowiska naturalnego konsekwencji, wynikających z obecności składników niebezpiecznych oraz niewłaściwego składowania i przetwarzania takiego sprzętu.

WAŻNE!

Przed podłączeniem urządzenia przeczytaj uważnie instrukcję. Zawiera ona niezbędne informacje dotyczące podłączenia, używania oraz pielęgnacji urządzenia. Producent nie podlega odpowiedzialności, jeżeli zasady instrukcji nie są przestrzegane. Trzymaj instrukcję w bezpiecznym i dostępnym miejscu aby w razie potrzeby sięgnąć po nią. Pamiętaj, że może ona później być używana przez kogoś innego.

UWAGA!

Urządzenie może być używane tylko zgodnie z przeznaczeniem, w odpowiednim pomieszczeniu, z dala od deszczu, wilgoci

Instrukcje transportu i ustawiania

Urządzenie musi być transportowane wyłącznie w pozycji pionowej. W trakcie transportu nie wolno naruszać opakowania. Gdyby jednak zdarzyło się, iż urządzenie było transportowane w pozycji poziomej, to przed uruchomieniem należy pozostawić je w pozycji pionowej - nie uruchamiając, przez co najmniej 4 godzin.

Niezastosowanie się do powyższej instrukcji może spowodować uszkodzenie sprężarki i nie uznanie naprawy gwarancyjnej. Przesuwając, ustawiając lub podnosząc urządzenie nie należy tego robić chwytając za rączki lub skraplacz (umieszczony z tyłu lodówki).

Nie zastosowanie się do tej instrukcji może uszkodzić kompresor i utratę gwarancji.

Środki ostrożności w trakcie

Użytkowania

- Nie podłączać urządzenia w przypadku zauważenia usterki.
- Wszelkie naprawy mogą być wykonywane wyłącznie przez autoryzowany serwis.
- Urządzenie należy odłączyć od źródła zasilania podczas odmrażania i czyszczenia. *Urządzenie należy odłączać przez wyjęcie wtyczki z gniazdka. Nigdy nie wolno tego robić przez pociąganie za kabel.*

- Upewnij się czy urządzenie stoi w odpowiedniej odległości od ściany
- Nie należy nigdy wspinać się na urządzenie lub stawać na jego poprzeczce, klapie, czy półkach.
- Zabronić dzieciom wchodzenia bądź chowania się wewnątrz urządzenia
- W urządzeniu nie wolno używać urządzeń elektrycznych
- Trzymać z daleka od źródeł ciepła (ogrzewania, kuchenek)
- Nie wolno zostawiać otwartej klapy urządzenia na dłużej, niż to jest konieczne do wyjęcia lub włożenia żywności.
- Gdy urządzenie nie jest używane, nie należy pozostawiać w nim żywności.
- W urządzeniu nie wolno przechowywać produktów lub pojemników zawierających palne lub wybuchowe gazy.
- Napoje gazowane (np. napoje bezalkoholowe, woda mineralna oraz szampan) nie powinny być przechowywane w zamrażarce; ich butelki mogą tam eksplodować. Nie należy zamrażać plastikowych butelek.
- Nie wolno nigdy dawać dzieciom lodów prosto z zamrażarki; niska temperatura może spowodować urazy.
- Nie należy dotykać zimnych części metalowych lub wewnętrznych ścianek urządzenia, gdyż mogą one spowodować odmrożenia.
- W celu zabezpieczenia tego urządzenia w trakcie magazynowania i transportu zaopatrzone je w rozpórki pomiędzy drzwiczkami a obudową (z przodu i z tyłu). Rozpórki te usuwa się przed uruchomieniem urządzenia.
- Nadmierne osady lodu należy regularnie usuwać z ramy i koszyków dostarczonym wraz z chłodziarką plastikowym skrobakiem. Do usuwania lodu nie należy używać żadnych przedmiotów metalowych. Osady lodu uniemożliwiają prawidłowe zamykanie drzwiczek.

- Jeżeli urządzenie ma pozostać nie używane przez kilka dni, to nie ma potrzeby, żeby odłączyć je od zasilania. Jednak gdy przerwa ta ma trwać dłużej niż kilka dni, należy postępować w sposób następujący:
 - odłączyć urządzenie od sieci zasilającej;
 - opróżnić zamrażarkę;
 - odszronić i wyczyścić wnętrze urządzenia;
 - pozostawić otwartą klapę, aby zapobiec powstaniu nieprzyjemnych zapachów.
- W razie uszkodzenia przewodu zasilającego, aby uniknąć niebezpieczeństwa, musi go wymienić producent, jego agent serwisowy lub podobnie wykwalifikowany personel.
- Jeśli twoje urządzenie ma zamek, zamykaj je i trzymaj klucz w bezpiecznym miejscu, poza zasięgiem dzieci. Pozwoli to na uniknięcie sytuacji zatrzaśnięcia dziecka w środku, co może kosztować je życie.

Montaż

Urządzenie będzie pracować prawidłowo w zakresie temperatur otoczenia od -15°C do $+43^{\circ}\text{C}$. Jeżeli temperatura w pomieszczeniu przekroczy $+43^{\circ}\text{C}$, to wtedy temperatura wewnątrz urządzenia może wzrosnąć. Urządzenie należy umieścić w odpowiedniej odległości od ściany, z dala od grzejników, kuchenek lub innych źródeł ciepła. Będą one powodować niepotrzebne uruchamianie się całego urządzenia, co prowadzi do większego zużycia energii i skrócenia jego czasu eksploatacji.

Jeżeli jest to niemożliwe należy zachować następujące minimalne odległości:

- od kuchni olejnych lub węglowych 100 mm
- od kuchni elektrycznych lub gazowych 150 mm.

Należy zapewnić wolną przestrzeń wokół całego urządzenia w celu uzyskania prawidłowej cyrkulacji powietrza (patrz rys. 2). Dwie poprzeczki dystansowe skraplacza umożliwiające właściwą cyrkulację powietrza należy zamontować w sposób pokazany na rysunku 3 (patrz rys 3).

Podłączenie do zasilania

Urządzenie jest przeznaczone do pracy przy zasilaniu ~220-240V, 50 Hz. Przed podłączeniem urządzenia do sieci należy upewnić się, czy napięcie, rodzaj prądu i częstotliwość w sieci są zgodne z wartościami podanymi na tabliczce znamionowej urządzenia.

- Informacja na temat parametrów elektrycznych jest podana na tabliczce znamionowej.
- Podłączenie elektryczne musi być w zgodzie z obowiązującymi przepisami.

*** Uziemienie urządzenia jest obowiązkowe. Producent nie ponosi odpowiedzialności za obrażenia ludzi, zwierząt lub przedmiotów powstałych w wyniku niezastosowania się do wytycznych podłączenia zamieszczonych w instrukcji.**

- Urządzenie jest zaopatrzone w kabel zasilający i wtyczkę z podwójnym uziemieniem dla bezpieczeństwa. Jeżeli gniazdko nie pasuje do wtyczki, poproś specjalistę o zmianę.
 - Nie należy podłączać urządzenia za pośrednictwem przedłużaczy elektrycznych.

Odłączanie

Urządzenie należy odłączać przez wyjęcie wtyczki z gniazdka. Nigdy nie wolno tego robić przez pociąganie za kabel.

Uruchamianie

Przed uruchomieniem urządzenia należy wyczyścić jego wnętrze (jak podano w rozdziale "Czyszczenie urządzenia"). Po zakończeniu czyszczenia, urządzenie należy podłączyć do sieci zasilającej, następnie otworzyć drzwi (powinna zaświecić się lampka) i ustawić pokrętkę termostatu w pozycji środkowej. Zielona i czerwona dioda (**rys. 5**) na panelu muszą się zaświecić. Pozostawić urządzenie uruchomione, lecz puste, przez około 2 godziny. Świeżą żywność można włożyć i zacząć zamrażać po upływie minimum 20 godzin od włączenia.

Zapoznaj się ze swoim urządzeniem (Rys. 1)

1. Uchwyt drzwi
2. Drzwi
3. Termostat
4. Koszyki
5. Blokada do transportu

Regulacja temperatury

Temperaturę wnętrza należy regulować pokrętką termostatu-Rys. 4 (pozycja „MAX” jest najwyższa). Może się jednak wahać w zależności od takich warunków jego użytkowania, jak: miejsce ustawienia, temperatura w pomieszczeniu, częstość otwierania klapy oraz ilość przechowywanej żywności; zależnie od tych warunków należy odpowiednio ustawiać pokrętkę termostatu. Przy normalnej temperaturze pomieszczenia, czyli poniżej 32°C zaleca się ustawienie pokrętki regulacji termostatu w pozycji środkowej.

Panel (Rys. 5)

1. Pokrętkę termostatu
2. Zielona dioda – sygnalizacja pracy urządzenia.
3. Czerwona dioda – sygnalizacja, iż temperatura wewnątrz zamrażarki jest za wysoka(!). Dioda będzie się świecić od 15 do 45 minut po włączeniu urządzenia do zasilania, a potem powinna się wyłączyć. Następnie, gdy temperatura wewnątrz zamrażarki obniży się odpowiednio, dioda gaśnie.
4. Pomarańczowa dioda LED Orange – aktywowana funkcja szybkiego zamrażania - po ustawieniu pokrętki w pozycji Superfreeze [Szybkie zamrażanie] zapala się pomarańczowa dioda LED, co oznacza, że urządzenie przełączono w tryb "szybkiego zamrażania". Wyjście z tego trybu następuje automatycznie po upływie 50 godzin, po czym urządzenie działa w trybie ekonomicznym, a pomarańczowa dioda gaśnie. Te trzy diody pokazują informację o obecnym trybie zamrażarki.

Porady odnośnie przechowywania zamrożonej żywności

Zamrażarka jest przeznaczona do zamrażania świeżej żywności oraz do przechowywania mrożonek przez dłuższy okres czasu.

Aby osiągnąć najlepsze rezultaty zamrażania, żywność należy szczelnie opakować.

Materiał opakowania powinien: nie przepuszczać powietrza, być obojętny chemicznie w stosunku do opakowanej żywności, odporny na niskie temperatury, nie nasiąkać płynami, tłuszczem, parą wodną i zapachami oraz powinien być zmywalny. Na opakowania odpowiednie są takie materiały jak folie plastikowe i aluminiowe oraz pojemniki plastikowe, aluminiowe.

WAŻNE!

- Świeżą żywność należy wkładać do kosza na produkty.
- Nie należy zamrażać jednocześnie dużych ilości żywności. Najlepsze rezultaty w przechowywaniu żywności są osiągnięte wtedy, gdy jest ona głęboko zamrażana w możliwie jak najkrótszym czasie. Dlatego nie powinno się przekraczać wydajności zamrażania, podanej w charakterystyce technicznej.
- Świeża żywność nie może mieć bezpośredniego kontaktu z żywnością już zamrożoną.
- Produkty spożywcze już zamrożone (gotowe mrożonki) można wkładać od razu do zamrażarki, bez potrzeby regulowania termostatu.
- Jeżeli na opakowaniu nie podano daty zamrożenia, to jako maksymalny okres przechowywania należy ogólnie przyjąć 3 miesiące.

- Nie wolno ponownie zamrażać żadnej rozmrożonej żywności, nawet, gdy jest ona tylko częściowo rozmrożona. Żywność taką należy skosztować niezwłocznie lub ugotować i dopiero wtedy - ponownie zamrozić.
- Gazowanych napojów nie należy trzymać w zamrażarce.
- W razie odcięcia prądu, nie należy otwierać urządzenia. Zamrożona żywność nie ulegnie zepsuciu, jeżeli spadek napięcia potrwa krócej niż 36 godzin.

Zamrażanie z funkcją SuperFrost

- Ustaw pokrętko w pozycji super frost. Zapali się lampka Superfrost.
- Oczekaj 24 godziny.
- Włóż świeżą żywność do zamrażarki. Aby osiągnąć szybkie zamrożenie, żywność po włożeniu do zamrażarki powinna stykać się ze ściankami wewnętrznymi.
- Funkcja Superfrost automatycznie wyłącza szybkie zamrażanie po 50 godzinach.

Uwaga !

Po ustawieniu pokrętki w pozycji SuperFrost sprężarka może się nie załączyć przez kilka minut. Wynika to z działania zintegrowanego przełącznika opóźnienia wzrostu, który służy zwiększeniu trwałości tego urządzenia chłodniczego.

Funkcji SuperFrost nie należy załączać:

- gdy do zamrażarki wkłada się mrożonki;
- gdy zamraża się do ok. 2 kg świeżej żywności na dobę.

Rozmrażanie urządzenia

- Zalecamy rozmrażanie urządzenia przynajmniej 2 razy w roku lub gdy warstwa lodu jest nadmiernie gruba.
 - Niewielki osad z szronu jest normalnym zjawiskiem..
 - Wielkość lodowej pokrywy zależy od otaczających warunków oraz częstotliwości otwierania drzwiczek.
 - Zalecamy rozmrażanie kiedy zawartość urządzenia jest niewielka.
 - Przed rozmrażaniem ustaw termostat na maksymalne mrożenie aby później rozmrażana żywność zachowała więcej zimna.
- Odłącz urządzenie
- Wyjmij zamrożone jedzenie, pozawijaj je osobno w papier i wstaw do lodówki lub połóż w chłodnym miejscu.
Użyj tacy i umieść go pod zamrażarce w kierunku rury kapie. Wyjąć wtyczkę obniżają. Wody, które wyniki zostaną zebrane w zasobniku.
Po stopieniu się lodu i wybraniu całej wody wytrzyj suchą ściereczką wnętrze zamrażarki. Włóż z powrotem wtyczkę zabezpieczającą do rury odpływowej (Rys. 6)
W celu szybszego rozmrożenia zostaw drzwi zamrażarki otwarte.

Nie wolno używać ostrych narzędzi do usówania lodu.

Nie wolno używać suszarki ani innego elektrycznego urządzenia grzewczego w celu rozmrażania.

Czyszczenie wnętrza

Przed rozpoczęciem czyszczenia należy odłączyć urządzenie od sieci elektrycznej. Czyszczenie urządzenia zaleca się wykonywać po każdym jego odszronieniu. Wnętrze urządzenia należy czyścić letnią wodą z dodatkiem sody amoniakalnej (w stężeniu 1 łyżeczka sody na 4 litry wody); nie wolno nigdy używać mydła, detergentów, benzyny lub acetonu, gdyż mają one nieprzyjemny zapach. Do czyszczenia należy używać wilgotnej gąbki, a do suszenia - miękkiej szmatki.
W trakcie czyszczenia nie należy stosować nadmiaru wody, aby nie przedostała się ona do wnętrza izolacji termicznej, gdyż może to spowodować wydzielanie nieprzyjemnego zapachu. W trakcie czyszczenia prosimy pamiętać o dokładnym wytarciu suchą szmatką uszczelek drzwi.

Czyszczenie z zewnątrz

Części zewnętrzne należy czyścić gąbką nasączoną ciepłą wodą z mydłem, a następnie miękką suchą szmatką. Nie należy używać proszków do czyszczenia, silnych detergentów lub narzędzi ściernych.

- Obudowę należy myć gąbką nasączoną ciepłą, namydloną wodą, wycierać miękką i suchą szmatką.
- Po umyciu urządzenia ustawić części na swoim miejscu i podłączyć urządzenie.

Rozwiązywanie podstawowych problemów

Urządzenie nie działa

- Brak zasilania w gniazdku
- Wtyczka nie jest dobrze podłączona
- Przepalony bezpiecznik.
- Termostat jest w pozycji „OFF”

Temperatura nie jest wystarczająco niska (czerwona lampka).

- Jedzenie blokuje domknięcie drzwi.
- Urządzenie zostało nieprawidłowo ustawione
- Urządzenie zostało ustalone w pobliżu źródła ciepła
- Termostat nie jest ustawiony w odpowiedniej pozycji

Nadmierne narastanie lodu

- Drzwiczki nie zostały zamknięte prawidłowo

To nie są problemy:

- Pomrukiwania i trzaski wydobywając się z urządzenia: spowodowane cyrkulacją czynnika chłodniczego.

Dźwięki wydawane podczas operacji

Urządzenie podczas pracy wydaje różne dźwięki – w większości są to normalne dźwięki słyszalne podczas prawidłowego funkcjonowania urządzenia.

Normalne dźwięki

- „Mruczenie” sprężarki podczas pracy. Głośniejszy dźwięk może być słyszany podczas zatrzymywania i uruchamiania się sprężarki.
- Bulgotanie, pomruk lub trzaski - powodowane przez czynnik chłodzący przepływający przez system chłodzenia.
- "Kliknięcie" - może być słyszane podczas włączania lub wyłączenia silnika elektrycznego przez termostat.

Ostrzeżenie !!

Nie wolno nigdy próbować samemu naprawiać urządzeń elektrycznych. Wszelkie naprawy wykonywane (oprócz czynności opisanych poniżej w tabeli) przez osoby nieuprawnione są niebezpieczne dla użytkownika i powodują utratę uprawnień gwarancyjnych.

Gwarancja jakości

Twój produkt marki BEKO posiada gwarancję jakości udzieloną przez Beko S.A z siedzibą w Warszawie ul. Puławska 366, 02-819 Warszawa (dalej Gwarant).

Gwarancja jakości udzielana jest wyłącznie na produkty marki BEKO wprowadzane do obrotu na terytorium Rzeczypospolitej Polskiej przez Gwaranta. Termin gwarancji wynosi 24 miesiące od daty zakupu produktu. Oświadczenie gwarancyjne określające warunki gwarancji znajdziesz na stronie internetowej www.beko.pl w sekcji serwis.

Warunkiem wykonywania uprawnień z gwarancji jest przedstawienie dowodu zakupu produktu lub zarejestrowanie produktu na stronie www.beko.pl w sekcji serwis .

Zarejestruj swój produkt.

Załącz konto oraz zarejestruj teraz swój produkt marki BEKO objęty gwarancją na naszej stronie internetowej www.beko.pl w sekcji serwis. Dzięki temu nie będziesz musiał się martwić w sytuacji gdy zgubisz dowód zakupu. Ponadto będziesz miał możliwość otrzymania oświadczenia gwarancyjnego w postaci „cyfrowej karty gwarancyjnej”.

Obsługa klienta – infolinia 22 250 14 14

W celu zgłoszenia reklamacji lub usterki produktu marki BEKO prosimy o kontakt telefoniczny z infolinią . Nasi konsultanci pomogą ci rozwiązać problem lub skierują do właściwego serwisu BEKO.

Infolinia czynna jest 7 dni w tygodniu od 8.00 do 20:00.

* Koszt połączenia jak za połączenie lokalne (z telefonu stacjonarnego) lub według stawek operatora sieci komórkowej.



Podpis i pieczęć instalatora (z numerem uprawnienia) w przypadku montażu urządzeń gazowych lub płyt i piekarników elektrycznych

Aby otrzymać więcej informacji dotyczących serwisu BEKO np. gdzie kupić części zamienne lub akcesoria należy odwiedzić stronę internetową www.beko.pl i wybrać zakładkę serwis.

Gratulujeme vám k vášmu výberu!

Mraziaci box, ktorý ste si zakúpili, je jeden zo škály produktov firmy BEKO a reprezentuje harmonické spojenie medzi technikou chladenia a estetickým vzhľadom. Má nový a atraktívny dizajn a je vyrobený v súlade s európskymi normami a národnými štandardmi, ktoré garantujú jeho funkčnosť a bezpečnosť. Rovnako, používaná mraziaca zmes R600a je ekologická a neovplyvňuje ozónovú vrstvu. Aby ste svoj mraziaci box používali čo najlepšie, odporúčame vám, aby ste si pozorne prečítali informácie v tomto návode.

Rada pre recyklovanie starého zariadenia

Ak ste kúpili nové zariadenie, je potrebné, aby ste to staré správne recyklovali, musíte si preto zvážiť niekoľko skutočností. Staré zariadenia nie sú len bezcenný odpad. V súlade s princípmi ochrany životného prostredia ich zlikvidujte tak, aby sa dôležité recyklovateľné materiály recyklovali.

Znehodnoťte svoje staré zariadenie :

- odpojte zariadenie zo siete;
- odrežte elektrický kábel (odstrihnite ho);
- poškodte prípadné zámky na dverách, aby ste zabránili uviaznutiu detí vo vnútri počas hry, a aby ste neohrozovali ich životy.

Chladiace spotrebiče obsahujú izolačné materiály a chladiace prostriedky, ktoré vyžadujú správne recyklovanie.

Originálne náhradné súčiastky budú dodávané po dobu 10 rokov od kúpy výrobku.

Tento spotrebič by nemali používať osoby so zníženou fyzickou, senzorickou alebo mentálnou spôsobilosťou alebo s nedostatočnými skúsenosťami a poznatkami. Tieto osoby môžu spotrebič používať len pod dohľadom osoby zodpovednej za ich bezpečnosť, alebo ak ich zodpovedná osoba poučila o správnom používaní spotrebiča.

Deti by mali byť pod dozorom, aby sa nehrali so spotrebičom.

Recyklovanie balenia

VÝSTRAHA!

Zabráňte deťom, aby sa hrali s obalom, alebo s jeho časťami. Hrozí nebezpečenstvo udusenía časťami vlnitej lepenky a plastickou fóliou.

Aby sa k vám výrobok dostal v čo najlepšom stave, zariadenie je ochránené príslušným balením. Všetky tieto materiály sú v súlade s ochranou životného prostredia a sú recyklovateľné. Pomôžte nám recyklovať a tým aj chrániť životné prostredie.

DÔLEŽITÉ!

Predtým, ako uvediete zariadenie do prevádzky, pozorne si prečítajte celý návod na použitie. Obsahuje dôležité informácie týkajúce sa nastavenia, použitia a manipulácie so zariadením. Výrobca nenesie žiadnu zodpovednosť, pokiaľ sa nedodržia nejaké informácie z tohto dokumentu. Uchovajte tento manuál na bezpečnom mieste, aby ste ho mali kedykoľvek po ruke v prípade potreby. Tieto informácie môžu byť samozrejme neskôr využité aj iným používateľom.

POZOR!

Toto zariadenie sa môže používať len na určený účel, (domáce použitie), na vhodnom mieste, mimo dažďa, vlhka alebo iných prírodných podmienok.

Pokyny pre prepravu

Zariadenie sa môže prevážať kedykoľvek, ale vždy len vo vertikálnej polohe. Balenie musí byť počas transportu vo výbornom stave. Ak sa počas transportu dostane zariadenie do horizontálnej polohy (len ako je to na známke na balení), odporúčame, aby bolo pred samotným uvedením do prevádzky zariadenie ponechané na 4 hodín bez činnosti, aby sa ustálil mraziaci obeh.

Nerešpektovanie tohto nariadenia môže spôsobiť zlyhanie motorového kompresoru a následné zrušenie záruky.

Varovania a všeobecné rady

- Nezapájajte zariadenie, ak ste objavili nejakú chybu.
- Opravy smie vykonávať len kvalifikovaný technik.
- Ak sa vyskytnú nasledujúce situácie, vypojte prosím zariadenie zo siete:
 - ak zariadenie kompletne odmrazujete;
 - ak zariadenie čistíte.

Pre vypojenie zariadenia zo siete, potiahnite za hlavicu, nie za kábel!

- Dodržte minimálnu požadovanú vzdialenosť medzi zariadením a stenou, pri ktorej zariadenie je.
 - Nestúpajte na zariadenie.
 - Zabráňte deťom hrať sa, alebo skrývať sa v zariadení.
 - Nikdy nepoužívajte elektrické zariadenie na odmrazovanie vo vnútri zariadenia.
 - Nepoužívajte zariadenie v blízkosti tepelných zdrojov, varičov, alebo iných zdrojov tepla a ohňa.
 - Nenechávajte dvere mraziaceho boxu otvorené viac, ako je to potrebné na vloženie alebo vybratie jedla.
 - Nenechávajte v mraziacom boxe jedlo, pokiaľ je spotrebič mimo prevádzky.
 - Neponechávajte vo vnútri produkty obsahujúce horľavé alebo výbušné plyny.
 - Neponechávajte vo vnútri šumivé nápoje (malinovky, minerálne vody, šampanské, atď.): fľaša by mohla vybuchnúť! Nezamrazujte nápoje v plastových fľašiach.
 - Nejedzte ľad ani zmrzlinu hneď po tom, ako ju vyberiete z boxu, pretože by mohli spôsobiť „popáleniny“.
- Nikdy sa nedotýkajte studených kovových častí alebo zamrazeného jedla, pretože vaše ruky môžu rýchlo primrznúť na veľmi studenom povrchu.
- Zariadenie je z dôvodu jeho ochrany počas skladovania a prepravy vybavené oddeľovačmi dverí a skrine (na prednej a zadnej strane). Tieto oddeľovače odstráňte pred uvedením zariadenia do prevádzky.
 - Nadmernú vrstvu ľadu na ráme zásuvkách by ste mali pravidelne odstraňovať dodanou plastovou škrabkou. Na odstránenie ľadu nepoužívajte žiadne kovové časti.

Prítomnosť nahromadeného ľadu znemožňuje správne zatváranie dverí.

- Ak zariadenie niekoľko dní nepoužívate, nie je potrebné, aby ste ho vypínali. Ak ho však nepoužívate dlhší čas, riadte sa podľa nasledovných informácií:

- vypojte zariadenie;
- vyprázdňte zariadenie;
- odmrázte a vyčistite ho;
- nechajte dvere otvorené, aby ste zabránili vytváraniu nepríjemného zápachu.

- Ak je sieťový kábel poškodený, je potrebné, aby ho vymenil výrobca, servisný agent alebo podobne kvalifikovaná osoba, vyhnite sa tak možnému nebezpečenstvu.

- Ak je váš spotrebič vybavený zámkom, nechajte ju zamknutú a kľúče uschovajte na bezpečnom mieste mimo dosahu detí. Pri likvidácii spotrebiča so zámkom ho poškodte tak, aby bol nefunkčný. Vyhnite sa tak ohrozenia života detí, ktoré pri hraní môžu uviaznuť vo vyradenom spotrebiči.

Nastavenie

Zariadenie bolo navrhnuté tak, aby fungovalo pri okolitej teplote medzi -15°C a $+43^{\circ}\text{C}$. Ak je okolitá teplota viac ako $+43^{\circ}\text{C}$, teplota vo vnútri môže stúpnuť. Umiestnite zariadenie niekam mimo zdrojov tepla a ohňa.

Umiestnenie zariadenia do teplej miestnosti, na priame slnečné svetlo alebo ku zdrojom tepla (radiátor, sporák, rúra) spôsobia zvýšenie spotreby energie a skrátenie životnosti zariadenia.

- Dodržujte prosím aspoň tieto minimálne vzdialenosti::
 - 100 cm od sporákov, ktoré pracujú na uhlie alebo olej;
 - 150 cm od elektrických a plynových sporákov.
- Uistite sa, že je zaručená správna cirkulácia vzduchu okolo zariadenia tak, že dodržíte predpisy v bode 2.

Na kondenzátore (na zadnej strane) namontujte dodané rozpery. (bod 3).

- Umiestnite zariadenie na rovnom, suchom a dobre vetranom mieste.

Zmontujte dodané príslušenstvo.

Zapojenie do siete

Zariadenie je určené na zapojenie do elektrickej siete s jednofázovým prúdom 220-240V/50 Hz. Pred zapojením zariadenia sa uistite, že parametre siete vo vašom dome (napätie, bežný typ, frekvencia) zodpovedajú parametrom fungovania zariadenia.

- Informácie týkajúce sa napätia a príkonu sú uvedené na etikete vzadu dole na pravej strane.

- Zapojenie do siete musí byť v súlade so zákonnými požiadavkami a predpismi.

- **Uzemnenie zariadenia je povinné.**

Výrobca nenesie žiadnu zodpovednosť za zranenie osôb, zvierat alebo tovarov, ktoré môžu nastať z chybného alebo nesprávneho plnenia uvedených podmienok.

- Zariadenie je vybavené elektrickou šnúrou a zástrčkou (európsky typ, značka 10/16A) pre dvojité uzemnenie – pre bezpečnosť. Ak elektrická zásuvka nie je totožná s typom zástrčky, požiadajte špecializovaného elektrikára o výmenu.

- Nepoužívajte predlžovacie káble alebo členité adaptéry (rozdvojky).

Vypínanie

Vypínanie musí byť umožnené tak, že sa vytiahne zástrčka zo zásuvky, alebo tak, že sa vypne dvojpólový vypínač pred zásuvkou.

Fungovanie

Pred samotným uvedením do prevádzky, vyčistite vnútro zariadenia (pozrite kapitolu „Čistenie“).

Po dokončení čistenia, zapojte zariadenie a nastavte gombík termostatu na strednú pozíciu. Zelené a červené LED diódy na kontrolnom paneli musia svietiť.

Nechajte zariadenie pracovať asi na 2 hodiny bez toho, aby ste do vnútra umiestnili jedlo. Mrazenie čerstvého jedla je možné po 20 hodinách fungovania.

Opis zariadenia

(obr. 1)

1. rukoväť veka
2. veko
3. termostat
4. koše
5. rozpera

Používanie

Nastavenie teploty

Teplota sa nastavuje gombíkmi na termostate (obr. 4), poloha „MAX“ je najnižšia teplota. Dosiahnuté teploty sa môžu meniť podľa podmienok použitia zariadenia, ako: umiestnenie zariadenia, okolitá teplota, časté otváranie dvier, miera plnenia mraziaceho boxu jedlom.

Poloha gombíka na termostate sa pri týchto podmienkach zmení.

Pri normálnej okolitej teplote pribl. 32°C, sa termostat nastaví na strednú polohu.

Signalizačná jednotka je umiestnená na zadnej strane mraziaceho boxu (bod 5).

Obsahuje:

1. Gombík nastavenia termostatu – vnútorná teplota je nastavená.
2. zelenú LED diódu – zobrazuje, že zariadenie je pripojené do siete.
3. červenú LED diódu - poruchová kontrolka, ktorá sa rozsvieti, ak je teplota v mraziacom boxe príliš vysoká. Kontrolka bude svietiť 15-45 minút po zapojení zariadenia, potom sa musí vypnúť. Ak kontrolka svieti aj počas fungovania, znamená to, že sa vyskytla chyba.
4. Oranžový indikátor LED – funkcia rýchleho mrazenia aktivovaná – po nastavení voliča do polohy Superfreeze sa rozsvieti oranžový indikátor, ktorý signalizuje, že spotrebič vstúpil do režimu „rýchleho mrazenia“. Spotrebič tento režim automaticky opustí po 50 hodinách a vráti sa do ekonomického režimu. Oranžový indikátor zhasne.

Tieto tri LED diódy: zelená, červená a žltá zobrazujú režim prevádzky mrazničky.

Rada pre uchovanie jedla

Mraziaci box slúži na uchovanie zmrazeného jedla na dlhý čas, ako aj na samotné zamrazovanie jedla.

Jeden z najdôležitejších prvkov úspešného mrazenia je balenie.

Hlavná podmienka, ktorú musí balenie spĺňať je nasledovné: musí byť bez vzduchu, musí byť stabilné voči balenému jedlu, musí byť odolné nízkym teplotám, musí byť odolné tekutinám, tuku, vodným výparom, zápachom a musí sa dať umývať.

Tieto podmienky sú naplnené nasledovnými typmi balení: plastové alebo hliníkové fólie, plastové alebo hliníkové nádoby, voskované kartónové poháre alebo plastové poháre.

DÔLEŽITÉ!

- Pre mrazenie čerstvého jedla použite dodávaný kôš.
- Nevkladajte do mraziaceho boxu naraz veľké množstvo jedla. Kvalita jedla sa najlepšie zachová, ak je hlboko zamrazené čo najskôr. Toto je prečo sa odporúča neprekročiť kapacitu mraziaceho boxu tak, ako je to uvedené v „PRODUKTOVÝ LIST“.
- Čerstvé jedlo nesmie prísť do kontaktu s už zamrazeným jedlom.
- Zamrazené jedlo, ktoré ste kúpili, môže byť umiestnené do mraziaceho boxu, bez toho, aby ste nastavili termostat.
- Čas uchovania zamrznutého jedla môžete sledovať na dverách mraziaceho boxu, ak nie sú údaje uvedené na obale, dodržujte dĺžku mrazenia max. 3 mesiace, odporúčame to ako všeobecné pravidlo.
- Jedlo, dokonca aj keď iba čiastočne rozmrazené, nemôže byť opätovne zamrazené. Musí byť okamžite skonzumované, alebo uvarené a potom zamrazené.
- Šumivé nápoje sa nesmú uchovávať v mraziacom boxe.
- V prípade výpadku elektrickej energie, neotvárajte dvere zariadenia. Zamrznuté jedlo vydrží až do 36 hodín.

Mrazenie s funkciou Superfrost

- Volič uveďte do polohy „Superfrost“.
- Rozsvieti sa indikátor funkcie Superfrost.
- Počkajte 24 hodín.
 - Do mrazničky umiestnite čerstvé potraviny. Na dosiahnutie rýchleho zmrazenia by sa potraviny pri umiestnení do mrazničky mali dotýkať vnútorných stien.
 - Mechanizmus Superfrost automaticky vypne funkciu rýchleho mrazenia po 50 hodinách.

Dôležité upozornenie

Keď volič uvediete do polohy Superfrost, kompresor sa nemusí zapnúť po dobu niekoľkých minút. Je to spôsobené prítomnosťou spínača oneskoreného nárastu, ktorý má za úlohu predĺžiť životnosť chladiacej jednotky.

- Funkciu Superfrost by ste nemali zapínať:
- pri umiestňovaní mrazených potravín do mrazničky,
 - pri dennom mrazení čerstvých potravín s hmotnosťou nepresahujúcou 2 kg.

Odmrazenie zariadenia

- Odporúčame vám, aby ste zariadenie odmrázovali aspoň dvakrát do roka, alebo ak sa zväčší hrúbka ľadu.
- Tvorba ľadu je bežná záležitosť.
- Množstvo a rýchlosť ľadu závisí na vnútorných podmienkach a otváraní veka.
- Odporúčame vám, aby ste zariadenie rozmrazovali, keď je množstvo zamrazeného jedla najnižšie.
- Pred samotným rozmrazovaním, nastavte gombík termostatu na vyššiu polohu, aby bolo jedlo vo väčšom chlade.
- Vypojte zariadenie zo siete.
- Vyberte zamrazené jedlo zabaľte ho do niekoľkých vrstiev papiera a umiestnite ho na chladné miesto.

Čistenie zariadenia

Vyberte oddeľovací panel a umiestnite ho pod mrazničku v smere odkvapkávacej trubičky. Vyberte zadržiavaciu zátku. Odmrazená voda sa zachytí v špeciálnej miske. (oddeľovací panel). Po odmrázení námrazy a odtečení vody spotrebič vytrite handričkou alebo špongiou a vytrite dosucha. Oddeľovací panel umiestnite na svoje miesto (obr. 6)

- Nechajte dvere otvorené pre rýchle rozmrazenie.

Nepoužívajte ostré kovové predmety na odstraňovanie ľadu.

Pri odmrázaní nepoužívajte sušiče na vlasy, ani iné elektrické ohrievače.

Vnútorné čistenie

Pred začatím čistenia, odpojte zariadenie zo siete.

- Odporúča sa, aby ste zariadenie čistili po odmrázaní.
- Umyte vnútro vlažnou vodou s trochou neutrálneho saponátu. Nepoužívajte mydlo, saponát, benzín alebo acetón, ktoré by mohli zanechať silný zápach.
- Pretrite vlhkou špongiou a osušte s jemnou handričkou.

Počas tejto operácie, zabráňte vniknutiu vody do termálnej izolácie zariadenia, ktoré by spôsobilo nepríjemný zápach. Nezabudnite tiež očistiť tesnenie na dverách, hlavne spodné rebrá čistou handričkou.

Vonkajšie čistenie

- Očistite vonkajšok mraziaceho boxu špongiou namočenou v teplej mydlovej vode, pretrite jemnou handričkou a osušte.

- Čistenie vonkajšej časti chladiaceho obehu (kompresoru, kondenzátora, spájacích trubiek) treba robiť jemnou kefkou alebo vysávačom. Počas tejto operácie dávajte pozor, aby ste neskřivili trúbky, alebo neodpojili káble.

Nepoužívajte brúsne a drsné materiály!

- Po dokončení čistenia, umiestnite príslušenstvo na svoje miesto a zapojte zariadenie.

Príručka odstraňovania porúch

Zariadenie nefunguje.

- Výpadok elektrickej energie.
- Zástrčka elektrickej šnúry nie je dobre zapojená do zásuvky.
- Vyhorela poistka.
- Termostat je v **polohe „OFF“** .

Teploty nie sú dostatočne nízke (svieti červená LED dióda).

- Jedlo zabraňuje správne zatvoreniu dverí.
- Zariadenie nebolo správne umiestnené.
- Zariadenie je umiestnené príliš blízko k zdroju tepla.
- Gombík termostatu nie je v správnej polohe.

Veľké množstvo námrazy

- Dvere neboli správne zatvorené.

Nasledujúce javy nie sú poruchy

- Možné kývanie a praskanie vychádzajúce z produktu cirkulácie chladiacej zmesi v systéme.

Zvuky počas prevádzky

V záujme udržiavania nastavenej teploty sa kompresor pravidelne spúšťa. Zvuky, ktoré sprevádzajú činnosť kompresora sú normálne. Zvuky sa stratia po dosiahnutí nastavenej prevádzkovej teploty.


Bzučivý zvuk vydáva kompresor. Pri štarte je zvuk silnejší.

Bublanie a čľapkanie pochádza z pretekania chladiwa cez trubice spotrebiča, ide o bežné prevádzkové zvuky.

Výstraha !

Nikdy sa nepokúšajte sami opravovať zariadenie, alebo jeho elektrické komponenty. Hocijaký zásah vykonaný neoprávnenou osobou je nebezpečný pre ďalšie používanie a môže spôsobiť zánik záruky.



Symbol  na výrobku alebo na balení označuje, že s týmto výrobkom sa nesmie manipulovať ako s odpadom z domácnosti. Namiesto toho by ste ho mali odovzdať na príslušnom zbernom mieste, kde sa zabezpečuje recyklácia elektrických a elektronických zariadení. Zabezpečením správnej likvidácie tohto výrobku pomôžete zabrániť potenciálne nebezpečným negatívnym následkom na životné prostredie a zdravie ľudí, ktoré by inak mohla spôsobiť nevhodná likvidácia tohto výrobku. Ak chcete získať podrobnejšie informácie o recyklácii tohto výrobku, obráťte sa na miestny mestský úrad, na spoločnosť, ktorá sa zaoberá likvidáciou odpadu z domácností, alebo na predajňu, v ktorej ste výrobok kúpili.

Blahopřejeme Vám k Vaší volbě!

Pultová mraznička, kterou jste si zakoupili, je jedním z výrobků řady BEKO představující harmonické spojení chladicí techniky a estetického vzhledu. Má nový atraktivní design a je zkonstruována podle evropských a státních norem, což zajišťuje její kvalitní provoz a bezpečnost. Použité chladivo R600a je přátelské k životnímu prostředí a neničí ozónovou vrstvu.

Pro používání mrazničky co nejlepším způsobem Vám doporučujeme, abyste si pečlivě přečetli informace v tomto uživatelském návodu.

Recyklace starého spotřebiče

Pokud nově zakoupeným spotřebičem nahrazujete starý spotřebič, je třeba zvážit několik aspektů.

Staré spotřebiče nejsou bezcenným odpadem. Při jejich likvidaci lze znovu získat důležité suroviny a přispět tak k zachování životního prostředí.

Zajistěte nepoužitelnost starého spotřebiče:

- odpojte spotřebič od sítě;
- odstraňte (přestříhnete) přívodní šňůru;
- odstraňte případné zámky na dveřích, aby nemohlo dojít k ohrožení života dětí hrajících si uvnitř spotřebiče v případě zablokování dveří.

Mrazničky obsahují izolační materiály a chladiva vyžadující náležitou recyklaci.

Tento spotřebič by neměly používat osoby se sníženou fyzickou, senzorickou nebo mentální způsobilostí a nebo s nedostatečnými zkušenostmi a poznatky. Tyto osoby mohou spotřebič používat jen pod dohledem osoby zodpovědné za jejich bezpečnost, a nebo pokud je zodpovědná osoba poučila o správném používání spotřebiče.

Děti by měly být pod dozorem, aby si nehrály se spotřebičem.

Recyklace obalu

UPOZORNĚNÍ!

Nedovolte dětem, aby si hrály s obalem nebo jeho částí z důvodu nebezpečí udušení částmi vlnité lepenky nebo plastovou fólií.

Aby se k Vám spotřebič dostal v dobrém stavu, je chráněn vhodným obalem. Všechny obalové materiály jsou slučitelné s životním prostředím a recyklovatelné. Prosím, pomozte nám recyklovat obaly a chránit tak životní prostředí!

DŮLEŽITÉ!

Před uvedením spotřebiče do provozu si pečlivě přečtěte celý návod k použití.

Obsahuje důležité informace o nastavení, použití a údržbě spotřebiče.

Výrobce neponese jakoukoliv odpovědnost v případě nedodržení pokynů uvedených v tomto dokumentu. Uložte tento návod na bezpečném místě, aby byl snadno dostupný v případě potřeby. Může být také užitečný pro dalšího uživatele.

POZOR!

Spotřebič se musí používat pouze ke stanovenému účelu (domácí použití), ve vhodných prostorách, mimo dosah deště, vlhkosti nebo jiných klimatických podmínek.

Přepravní pokyny

Spotřebič je třeba přepravovat pokud možno pouze ve svislé poloze. Obal musí být během přepravy v perfektním stavu.

Je-li během transportu spotřebič ve vodorovné poloze (pouze dle značek na obalu), doporučujeme, aby byl spotřebič ponechán v klidu po dobu 4 ti hodin před uvedením do provozu, aby se ustálil chladicí okruh.

Nedodržení těchto pokynů může způsobit poruchu motorkompresoru a zrušení této záruky.

Upozornění a obecné rady

- Nezapojujte spotřebič do zásuvky, pokud jste zpozorovali závadu.
- Opravy může provádět pouze kvalifikovaný personál.
- V následujících situacích prosím odpojte spotřebič od sítě:
 - pokud spotřebič zcela odmrazujete;
 - pokud spotřebič čistíte.

Při odpojování přístroje tahejte za zástrčku, nikoliv za šňůru!

- Zajistěte minimální prostor mezi spotřebičem a zdí, ke které je umístěn.
- Nelezte na spotřebič.
- Nedovolte dětem, aby si hráli nebo se schovávali uvnitř spotřebiče.
- Nikdy nepoužívejte pro rozmrazování uvnitř mrazničky elektrické spotřebiče.
- Neumísťujte spotřebič v blízkosti tepelných spotřebičů, sporáků nebo jiných zdrojů tepla a ohně.
- Nenechávejte dvířka mrazničky otevřená déle, než je nutné pro vložení nebo vyjmutí potravin.
- Nenechávejte potraviny v nefunkčním spotřebiči.
- Nenechávejte uvnitř produkty obsahující hořlavé nebo výbušné plyny.
- Nevkládejte do mrazničky šumivé nápoje (džus, minerální vodu, šampaňské, atd.): láhev může explodovat! Nemrazte nápoje v plastových lahvích.
- Nejezte kostky ledu nebo zmrzlinu ihned po vyjmutí z mrazničky, protože mohou způsobit popáleniny mrazem.
- Nikdy se nedotýkejte studených kovových částí nebo zmrazených potravin mokřýma rukama, protože ruce mohou rychle přimrznout k velice studeným povrchům.
- Pro ochranu při skladování a přepravě je zařízení vybaveno rozpěrkami mezi dveřmi a skeletem (na přední a zadní straně). Tyto rozpěrky odstraňte před tím, než zařízení uvedete do provozu.
- Nadměrný nános ledu na rámu a na koších by měl být pravidelně odstraňován pomocí přiložené plastové škrabky. Nepoužívejte k odstraňování ledu žádné kovové předměty.

Přítomnost takového nánosu ledu může znemožnit správné zavření dveří.

- Nebudete-li mrazničku používat po dobu několika dnů, nedoporučujeme ji vypínat.

Nebudete-li mrazničku používat delší dobu, postupujte prosím následovně:

- vytáhněte přívodní šňůru;
- vyprázdněte mrazničku;
- odmrazte ji a vyčistěte;
- nechejte dvířka otevřená, abyste zabránili tvorbě nepříjemného zápachu.

- V případě poškození napájecího kabelu je nutno jej nechat vyměnit u výrobce, jeho servisního zástupce či podobně kvalifikované osoby, aby se předešlo nebezpečí.

- Má-li spotřebič zámek, nechejte ho uzamčený a klíč uschovejte na bezpečném místě mimo dosah dětí. Pokud likvidujete spotřebič se zámkem, ujistěte se, že je nefunkční. Je to velice důležité, aby se zabránilo uvíznutí dětí uvnitř a případnému ohrožení jejich života.

Nastavení

Tento spotřebič byl zkonstruován pro provoz při teplotě prostředí v rozmezí -15°C až $+43^{\circ}\text{C}$. Je-li teplota prostředí vyšší než $+43^{\circ}\text{C}$, může se teplota v mrazničce zvýšit.

Postavte spotřebič daleko od zdroje tepla a ohně. Umístění v teplé místnosti, u zdroje tepla (topidla, sporáky, trouby) a přímé vystavení slunečnímu svitu zvyšuje spotřebu energie a zkracuje životnost spotřebiče.

- Dodržujte prosím následující minimální vzdálenosti:

- 100 cm od sporáků na uhlí nebo naftu;
- 150 cm od elektrických a plynových sporáků.

- Zajistěte volnou cirkulaci vzduchu kolem spotřebiče dodržením vzdáleností uvedených v bodě 2.

Namontujte na kondenzátor (na zadní stranu) přiložené distanční podložky (bod 3).

- Umístěte spotřebič na dokonale rovné, suché a dobře větrané místo.

Namontujte dodané příslušenství.

Elektrické zapojení

Tento spotřebič je určen pro provoz v jednofázovém napětí 220-240V/50 Hz. Před zapojením spotřebiče do sítě se prosím ujistěte, že parametry sítě v domě (napětí, druh proudu, kmitočet) odpovídají provozním parametrům spotřebiče.

- Informace o napájecím napětí a příkonu jsou uvedeny na štítku na zadní straně mrazničky.

- Elektrická instalace musí odpovídat požadavkům zákona.

- **Uzemnění spotřebiče je povinné. Výrobce nepřebírá odpovědnost za škody způsobené osobám, zvířatům nebo zboží, které vzniknou při nedodržení stanovených podmínek.**

- Spotřebič je vybaven přívodní šňůrou se zástrčkou (evropský typ, označení 10/16A) s dvojitým zemnicím kontaktem z důvodu bezpečnosti. Nebude-li zástrčka stejného typu jako zásuvka, požádejte specializovaného elektrotechnika, aby ji vyměnil.

- Nepoužívejte prodlužovací šňůry nebo rozdvojky.

Vypnutí

Musí být umožněno vypnutí vytažením zástrčky ze zásuvky nebo pomocí dvoupólového síťového vypínače umístěného před zásuvkou.

Provoz

Před uvedením do provozu vyčistěte vnitřní prostor spotřebiče (viz kapitola „Čištění“). Po ukončení této operace připojte spotřebič k síti a nastavte knoflík termostatu do střední polohy. Zelená a červená dioda na signalizačním bloku musí svítit. Nechejte prázdný spotřebič pracovat asi dvě hodiny. Čerstvé potraviny se zmrazí minimálně po 20ti hodinách provozu.

Popis spotřebiče

(Obr. 1)

1. Držadlo dvířek
2. Dvířka
3. Skříňka termostatu
4. Košíky
5. Rozpěrka pro transport

Provoz mrazničky

Nastavení teploty

Teplota mrazničky se nastavuje knoflíkem termostatu (obr. 4), pozice „MAX“ znamená nejnižší teplotu.

Dosažené teploty se mohou lišit podle podmínek použití spotřebiče, například podle umístění spotřebiče, teploty prostředí, frekvence otevírání dvířek a objemu potravin v mrazničce. Podle těchto faktorů se bude měnit poloha knoflíku termostatu. Při teplotě prostředí okolo 32°C se termostat nastaví do střední polohy.

Signalizační systém je umístěn na zadní straně mrazničky (obr. 5).

Obsahuje:

1. Nastavovací knoflík termostatu – pro nastavení teploty uvnitř mrazničky
2. Zelenou diodu – ukazuje, že je spotřebič napájen elektrickou energií
3. Červenou diodu – porucha – svítí, je-li teplota v mrazničce příliš vysoká. Tato dioda svítí 15-45 minut po uvedení mrazničky do provozu, potom musí zhasnout. Pokud červená dioda svítí během provozu, znamená to, že došlo k závadě.
4. Oranžová LED - aktivovaná funkce rychlého mrazení - po nastavení tlačítka do pozice Supermrazení se oranžová kontrolka rozsvítí, čímž se potvrdí, že spotřebič přešel do režimu "rychlého mrazení"..Tento režim se automaticky ukončí po uplynutí 50 hodin, potom se spotřebič přepne do ekonomického režimu a oranžová kontrolka se vypne.

Tyto tři diody poskytují informace o režimu provozu mrazničky.

Uchovávání potravin

Mraznička je určena k dlouhodobému uchovávání mražených potravin a k mrazení čerstvých potravin.

Jedním z hlavních předpokladů úspěšného mrazení potravin je vhodný obal.

Obal musí splňovat tyto hlavní podmínky: musí být vzduchotěsný, inertní vůči baleným potravinám, odolný vůči nízkým teplotám, nepropouštět kapaliny, tuk, vodní páry, zápach, musí být omyvatelný.

Tyto podmínky splňují následující typy obalů: plastové nebo aluminiové fólie, plastové a aluminiové nádoby, voskované kartónové obaly nebo plastové obaly.

DŮLEŽITÉ!

- Pro mrazení čerstvých potravin používejte košíky ve spotřebiči.
- Nevkládejte do mrazničky velké množství potravin najednou. Kvalita potravin se nejlépe zachová, jsou-li co nejrychleji hluboce zmrazeny. Proto se nedoporučuje překračovat zmrazovací výkon spotřebiče uvedenou v oddíle „PRODUKTOVÝ ŠTÍTEK“.
- Čerstvé potraviny nesmějí přijít do styku s již zmrazenými potravinami.
- Zakoupené mrazené potraviny můžete vložit do mrazničky bez nutnosti nastavovat termostat.
- Není-li doba spotřeby mražených potravin uvedena na obalu, předpokládejte obecně maximální dobu 3 měsíců.
- Částečně rozmrazené potraviny nelze znovu zmrazit, je třeba je spotřebovat nebo uvařit a potom znovu zmrazit.
- Neuchovávejte v mrazničce šumivé nápoje.
- V případě výpadku proudu neotevírejte dvířka mrazničky. Zmrazené potraviny se nepoškodí, bude-li výpadek proudu kratší než 36 hodin.

Mrazení s funkcí Superfrost

Ovládání přepněte do pozice super mrazení. Kontrolka Superfrost se rozsvítí.

Počkejte 24 hodin.

Do mrazáku vložte čerstvé jídlo. Abyste dosáhli rychlého mrazení, jídlo musí být po uložení do mrazničky v kontaktu s vnitřními stěnami.

Zařízení Superfrost automaticky vypne super mrazení po uplynutí 50 hodin.

Důležité

Když přepnete kolečko do pozice Superfrost, kompresor se nemusí několik minut sepnout. Je tomu tak z důvodu integrovaného spínače, který je určen ke zvýšení životnosti chladničky.

Funkci Superfrost nesmíte zapnout:

- při vložení zmrazeného jídla do mrazničky,
- při mrazení zhruba 2 kg čerstvých potravin denně.

Odmrazování spotřebiče

- Doporučujeme odmrazovat mrazničku minimálně dvakrát za rok nebo v případě, že vrstva ledu dosáhne nadměrné tloušťky.
 - Tvorba ledu je normální jev.
 - Množství a rychlost tvorby ledu závisí na podmínkách prostředí a na frekvenci otevírání dvířek.
 - Doporučujeme odmrazit spotřebič v době, kdy je množství potravin v něm minimální.
 - Před odmrazováním nastavte knoflík termostatu do vyšší polohy, aby se potraviny uchovaly dlouho zmrazené.
 - Odpojte spotřebič od sítě.
 - Vyjměte zmrazené potraviny, zabalte je do několika archů papíru a vložte do ledničky nebo uložte v chladnu.
- Vezměte separační panel a položte ho pod mrazničku ve směru odtokové trubky. Vyjměte zátku. Voda se bude shromažďovat na speciálním tácku (separačním panelu). Po rozpuštění ledu a vypuštění vody vytřete spotřebič hadříkem nebo houbou a důkladně osušte. Vraťte zátku zpět na místo (obr. 6) Pro rychlé tání nechejte dvířka otevřená.

Neodstraňujte led ostrými kovovými předměty.

Pro rozmrazování nepoužívejte vysoušeč vlasů ani jiné elektrické tepelné spotřebiče.

Vnitřní čištění

Před zahájením čištění odpojte spotřebič od sítě.

- Doporučujeme čistit spotřebič při odmrazování.
- Omyjte vnitřek vlažnou vodou s neutrálním čisticím prostředkem. Nepoužívejte mýdlo, detergent, benzín nebo aceton, které mohou zanechat silný zápach.
- Otřete vlhkou houbou a utřete suchou utěrkou.

Při této činnosti nepoužívejte nadměrné množství vody. Při vniknutí do tepelné izolace spotřebiče by mohla způsobit nepříjemný zápach.

Nezapomeňte otřít čistou utěrkou také těsnění dvířek, především žebra měchové manžety.

Vnější čištění

- Očistěte povrch mrazničky houbou namočenou v teplé mýdlové vodě a otřete dosucha měkkou utěrkou.
 - Vnější části chladicího okruhu (motor-kompresor, kondenzátor, spojovací trubky) očistěte měkkým kartáčem nebo vysavačem. Při této operaci dávejte pozor, abyste nepoškodili trubky a neodpojili kabely.
- Nepoužívejte hrubé a drsné materiály!**
- Po provedení čištění vraťte příslušenství na své místo a zapojte spotřebič do sítě.

Odstraňování závad

Spotřebič nefunguje.

- Výpadek proudu.
- Zástrčka přívodní šňůry není správně zasunuta do zásuvky.
- Spálená pojistka.
- Termostat je v poloze „OFF”.

Teplota není dostatečně nízká (svítí červená dioda).

- Potraviny zabraňují uzavření dvířek.
- Spotřebič není správně umístěn.
- Spotřebič je umístěn příliš blízko tepelného zdroje.
- Knoflík termostatu není ve správné poloze.

Nadměrná tvorba ledu

- Dvířka nejsou správně uzavřena.

Závadou není

- praskání vycházející ze spotřebiče, způsobené cirkulací chladiva v systému.

Hluk při provozu

Pro udržení teploty na nastavené hodnotě se periodicky zapíná kompresor.

Hluk, který je při tom slyšet, je zcela normální. Utichne, jakmile spotřebič dosáhne provozní teploty.

Kompresor vytváří bzučivý hluk. Při zapnutí kompresoru může hluk zesílit.


Bublavé zvuky způsobené chladičem cirkulujícím v trubkách spotřebiče jsou také normální provozní hluk.

Upozornění!

Nikdy se sami nepokoušejte opravit spotřebič nebo jeho elektrické součásti.

Opravy provedené nepovolnými osobami mohou být pro uživatele nebezpečné a mohou mít za následek zrušení záruky.



Symbol  na výrobku nebo na obalu upozorňuje na skutečnost, že spotřebič nepatří do běžného domácího odpadu. Místo toho je třeba jej odevzdat do speciální sběrný odpadu na recyklování elektrických a elektronických zařízení. Vaší podporou správné likvidace pomáháte zabránit potenciálně negativním vlivům na životní prostředí a lidské zdraví, které by jinak nesprávná likvidace výrobku mohla způsobit. Další informace a recyklování tohoto spotřebiče získáte na místním úřadě, ve sběrně odpadu nebo u prodejce, kde jste spotřebič zakoupili.

Поздравяваме Ви за вашия избор!

Фризера ракла който току що закупихте е нашето най-ново постижение от нашата линия от продукти. Той има нов и по-добър дизайн и е изработен в съответствие на Европейските и национални стандарти, които ви гарантират неговата работа и безопасност. Освен това използвания хладилен агент R600a, не замърсява и не е опасен за озоновия слой.

За по-доброто използване на вашия апарат, ние ви препоръчваме даа прочетете внимателно цялата информация съдържаща се в това ръководство на потребителя.

Инструкции за рециклиране на стар апарат

Ако с новия закупен от вас апарат заменят стар уред, ние ви предупреждаваме да вземете в предвид следните неща:

- Стария уред не е толкова ценен като скрап. При неговото изхвърляне ви ще предпазите от замърсяване на околната среда и ще позволите да се рециклират ценни първични материали.
- Вие можете да рециклирате вашия стар уред изпълнявайки следните стъпки:
 - изключете апарата от контакта на електрическата мрежа;
 - свалете охранващия кабел (отрежете го);
 - свалете ключалките от вратата (ако има такива) за да предотвратите затварянето на дете в него докато си играе и това да застраши неговия живот.
- Хладилните апарати съдържат изолационни материали и хладилна течност които изискват по-специално рециклиране.

**Този уред не е предназначен за употреба от хора с физически, сетивни и умствени проблеми както и от хора без опит и познания, освен ако те не са стриктно инструктирани от компетентно лице относно работата и мерките за безопасност.
Не оставяйте децата си да играят с уреда без надзор.**

Ръководство за ползване

Рециклиране на опаковката

ВНИМАНИЕ!

Не позволявайте на децата да си играят със опаковъчните материали или със части от тях. Има опасност от задушаване със огънатите кутии и със пластмасовите пликосе.

За да се предпази уреда от повреда по време на транспорта, всички материали от които са изработени неговата опаковка са изработени в съответствие с изискванията за рециклиране и то от гледна точка за опазване на околната среда.

От гледна точка за опазване на околната среда ние ви съветваме да предоставите опаковъчните материали за рециклиране.

ВАЖНО!

Преди да пуснете апарата в работа прочетете внимателно и изцяло тези инструкции. Те съдържат важна информация отнасяща се до монтажа, използването и поддържането на апарата.

Производителя се освобождава от всякаква отговорност ако информацията в този документ не е взета в предвид и не е са спазени предупрежденията съдържащи се в нея. Моля запазете това ръководство на потребителя на сигурно място за да може то да ви е подръка ако имането е необходимо от информацията съдържаща се в него и го предайте на следващите потребители ако продадете уреда.

ВНИМАНИЕ!

Този уред трябва да бъде използван само за целта за която е предназначен, (за домашно ползване), във подходящо помещение, далеч от дъжд, влага или други атмосферни влияния.

Инструкции за транспорт

Ние ви съветваме транспорта на апарата да се извършва само във исправено вертикално положение. Опаковката трябва да не бъде повредена по време на транспорта. Преди да включите уреда в работа оставете го най-малко 4 часа в исправено положение.

Транспорта на уреда е разрешен и хоризонтално положение в съответствие с маркировката на опаковката. Ако това е направено в това положение препоръчва се да оставите уреда най-малко 12 часа преди да бъде включен за да позволите на хладилния агент в хладилната инсталация да се оттече и успокой.

Ако не спазите тези инструкции това може да даде като резултат повреда на компресора и да направи невалидни вашите права на гаранция.

Предупреждение и общи съвети

- Не включвайте щепсела на апарата, ако вие сте забелязали някаква повреда.

- Поправката на апарата трябва да се извършва само от квалифициран специалист.

- При следните условия и ситуации моля изключвайте апарата от захранващата електрическа мрежа.

- когато обезскрежавате напълно апарата;

- когато вие почиствате апарата.

За да изключете апарата, теглете щепсела, а не захранващия кабел!

- Оставете едно минимално разстояние между апарата и стената там където е вече монтиран.

- Не стъпвайте върху апарата.

- Не разрешавайте на децата да играят или да влизат вътре в апарата.

- Никога не използвайте електрически уреди вътре в апарата за обезскрежаването му.

- Не използвайте апарата близо до нагревателни уреди, кухненски печки или други източници на топлина и до огън.

- Не оставяйте вратите отворени за дълго време, ако това не е необходимо да поставите или извадите храна.

- Не оставяйте храни във апарата когато той не е включен и не работи.

- Не съхранявайте вътре продукти съдържащи възпламеняващи се или експлозивни газове.

- За предпазване на уреда по време на складиране и транспорт, той е осигурен с разделители между вратата и корпуса (в предната и задната част). Тези разделители се свалят преди пускане на уреда в действие.

- Прекомерното натрупване на лед върху рамката или решетките трябва да се отстранява редовно с помощта на предоставената пластмасово стъргало. Не използвайте никакви метални предмети за сваляне на леда.

Наличието на тези наслагвания от лед пречи на правилното затваряне на вратата.

-Не съхранявайте газирани напитки (сокове, минерална вода, шампанско и др.) във фризера: бутилките могат да експлодират! Не замразявайте напитки във пластмасови бутилки.

-Не ядете кубчетата лед или леда веднага когато ги извадите от отделението на фризера защото те може да предизвикат изгаряния от охлаждане.

-Никога не пипайте студените метални части или замразените храни ако вашите ръце да мокри, поради това че вашите ръце бързо ще замръзнат и залепнат по много студените повърхности.

- При повреда в захранващия кабел, той трябва да бъде подменен от производителя, сервизен представител или друг квалифициран специалист с цел да се избегне всякакъв риск.

-Ако вие няма да използвате вашия уред за няколко дни, ние не ви препоръчваме да изключвате хладилника.

Ако вие няма да използвате уреда за дълъг период от време моля извършете следното:

-изключете щепсела от електрическата мрежа;

-изпразнете хладилника и фризера;

-обезскрежете го и го почистете;

-оставете вратата отворена за да избегнете неприятните миризми.

-Захранващия кабел трябва да бъде подменян само от оторизиран специалист.

-Ако вашия апарат има ключалка и се заключва дръжте го заключен и пазете ключа на сигурно място далеч от достъпа на деца. Ако вие депонирате и изхвърляте за рециклиране апарата направете така че ключалката да не може да работи. Това е твърде важно за да се предпазят децата да не се заключат вътре в апарата и да изложат на опасност своя живот.

Монтаж на уреда

Този уред е разработен да работи и достига проектните си параметри (посочени във ръководството за ползване и обозначени на табелката с техническите параметри) във обхвата на околна температура -15 до +43 градуса по Целзий. Ако околната температура превиши +43 градуса по Целзий то във вътрешността на апарата температурата може да нарастне. За тази цел ние ви препоръчваме да поставите уреда във помещение далеч от възможност да го вали дъжд, да бъде подложен на влага или други атмосферни влияния. Уреда трябва да бъде поставен далеч от какъвто и да е източник на топлина или огън.

Монтажа в топла стая, излагането му на директни слънчеви лъчи или поставянето на уреда близо до източник на топлина (нагреватели, готварски печки, фурни), увеличава консумацията на енергия и съкращава неговия живот.

Когато поставяте уреда във вашия дом моля спазете следните минимални разстояния:

-100 см от печки работещи със въглища или нафта;

-150 см от електрически печки и/или газови печки.

Моля осигурете свободна циркулация на въздуха около уреда като спазите разстоянията които са посочени като монтирате доставените части за осигуряване на това разстояние. (Фигура номер 2).

Моля спазете необходимото място за кондензатора (намиращ се отзад). (Фигура номер 3).

- Пода или опората на която ще бъде монтиран апарата трябва да бъде много равен, и мястото да бъде сухо и с добра вентилация.
- Моля поставете доставените принадлежности.

Свързване с електрическата мрежа

Вашия уред е произведен да работи с монофазно напрежение от 220-240/50 Hz. Преди да включите уреда моля уверете се че параметрите на електрическата мрежа във вашия дом (напрежение, тип на тока, честота) отговарят с работните параметри на уреда.

- Информацията отнасяща се до захранващото напрежение и консумираната мощност са посочени на табелката с техническите данни поставена на задната страна на уреда.

- Електрическият монтаж трябва да отговаря на нормативните разпоредби.

- Включването на уреда във електрическата мрежа без да се заземи е нарушение на наредбата за безопасност.

Производителя не носи никаква отговорност за повреди или нараняване на хора, животни или повреда на храни, предизвикани от това че не са били спазени специфицираните условия.

- Уреда е снабден със захранващ кабел и щепсел (Европейски тип, маркиран 10/16 A) с двойни контакти за заземяване (тип Шуко). Ако щепсела не е от същия тип както контакта, моля изискайте специализиран техник да го подмени.

- Ние ви съветваме да не включвате уреда във захранване предоставяно от удължители или адаптори. Ако е необходимо монтирайте по дълъг захранващ кабел който има същите параметри със този който е доставен със продукта.

Ръководство за ползване

Изключване от електрическата мрежа

Изключването може да се извърши като извадите щепсела от контакта или двуполусен изключвател поставен преди електрическия контакт.

Работа с апарата

Преди да пуснете в работа апарата, почистете го отвътре (виж раздела "почистване").

След като завършите тази операция моля включете щепсела в електрическата мрежа и поставете термостата в средно положение. Зеления и червения светодиод (LED) в блока за сигнализация трябва да светнат. Оставете апарата да работи около 2 часа без да поставяте храна във него. Замразяването на прясна храна е възможно да се извършва след минимум 20 часа работа .

Описание на уреда

(фигура номер 1)

- 1 - Дръжка на вратата
- 2 - Врата
- 3 - Термостатна кутия
- 4 - Кошница
- 5 - Транспортно приспособление

Работа с фризера

Настройка на температурата

Температурата на фризера се настройва посредством ръчката на копчето закрепено на термостата (виж фигура номер 4).

Положението "MAX" е за достигане на най-ниската температура.

Достигнатата температура може да се променя в зависимост от условията на ползване на уреда като например: мястото на поставяне на апарата, околната температура, честотата на отваряне на вратата, количеството заредена храна във фризера. Положението на копчето на термостата ще зависи от тези фактори. Нормално за околна температура около 32°C, термостата ще бъде поставен на средно положение.

Системата за сигнализация е монтирана на заден край на фризера (виж фигура номер 5).

Тя включва:

1. Копче за настройка на температурата-настройва се вътрешната температура във фризера.

2. Зелен светодиод (LED) - показва че апарата е захранен с електрическа енергия.

3. Червен светодиод (LED) – повреда – когато този светодиод (LED) свети, то това означава че температурата във фризера е твърде висока. Светодиода (LED) ще свети 15-45 минути след първоначалното включване в работа на фризера и след това ще загасне. Ако светодиода (LED) светне по време на работа на фризера това означава че има дефект.

4. Оранжев бутон - бързо замразяване активирано – когато настроите копчето на позиция „суперзалеждане“ оранжевият индикатор се включва, показвайки че уредът е навлязъл в режим „бързо замразяване“. Прекъсването на този режим става автоматично след 50 часа, при което уредът започва работа в икономичен режим, а оранжевият индикатор изгасва.

Трите светодиоди (LED) дава информация за режима на работа на фризера.

Ръководство за ползване

Предупреждение за съхранение на храната

Фризера е предназначен за съхранение на замразена храна за дълъг период от време, както също и за замразяване на храна.

Един от най-важните елементи за сигурното и успешно замразяване на храна е нейното пакетиране.

Главното условие което пакетирането трябва да изпълнява е следното: да бъде херметично, да изолира и да бъде неутрално към храната която е пакетирана, да издържа на ниски температури, да бъде непроницаемо към течностите, мазнините, водните пари, миризмите и да може да се мие.

Тези условия се изпълняват от следните типове материали за пакетиране:

пластмасово или алуминиево фолио, пластмасови или алуминиеви съдове, восъчни картонени чаши или пластмасови чаши.

ВАЖНО!

-За да замразявате прясна храна моля ползвайте кошниците на апарата.

-Не поставяйте във фризера много голямо количество храна на един път. Качеството на храната се запазва по добре ако е дълбоко замразена и то най-бързо възможно. Ето защо ние ви предупреждаваме да не превишавате капацитета за замразяване на апарата посочен във таблицата с техническата характеристика.

-Пресните храни не трябва да влизат в контакт със вече замразените храни.

-Замразената храна закупена от магазина може да бъде поставена във фризера без да е необходимо да променят настройката на термостата.

-Ако данните за замразяване на са посочени на опаковката моля приемете че периода за съхранение е максимум 3 месеца (като общо правило).

-Която и да е храна даже и частично размразена не трябва да се замразява отново, и трябва да се консумира веднага или сготви и тогава да се замрази отново.

-Газирани напитки не трябва да се поставят във фризера.

-В случай на прекъсване на електрическия ток не отваряйте вратата на уреда.

Замразената храна няма да бъде засегната ако прекъсването на тока е равно или по-късо от 36 часа.

Замразяване с функция Суперзамразяване”

Поставете копчето на позиция "суперзамразяване" Лампичката на функция суперзамразяване светва.

- Изчакайте 24 часа.

- Поставете прясната храна във фризера. За да се получи бързо замразяване, храната трябва да е в контакт с вътрешните стени при поставянето ѝ във фризера.

- Функция „суперзамразяване“ автоматично изключва процеса на бързо замразяване след 50 часа.

Важно

При преместването на копчето на позиция "суперзамразяване", компресорът може да не се включи в следващите няколко минути. Причината е във вградения забавящ превключвател, който има цел удължаваме оперативния живот на хладилника.

Не бива да включвате функция "суперзамразяване":

- при поставяне на замразена храна във фризера;
- при замразяване на количества до 2 кг прясна храна дневно.

Ръководство за ползване

-Ние ви препоръчваме да обезскрежавате отделението на фризера най-малко два пъти в годината или когато образувалия се лед е твърде дебел.

-Натрупването на лед е нормален феномен.

-Количеството и честотата за натрупване на лед зависи от условията на околната среда и от честотата на отваряне на вратата.

-Натрупването на лед и специално във горната част на отделението е природен феномен и това не нарушава добрата работа на уреда.

-Ние ви съветваме да обезскрежавате уреда когато количеството на храната е минимално.

Преди да започнете обезскрежаването поставете термостата за настройка на температурата на най-високото положение така че храната да се охлади колкото се може повече.

-Изключете щепсела на уреда.

-Извадете замразената храна и я опаковайте във няколко пласта листове от хартия и я поставете на студено място.

Използвайте тавата и я поставете под фризера по посока на капещата тръба.

Извадете тапата за затваряне на отвора.

Водата, която води ще се събират в тавата. След като се разтопи леда и премахнете водата, моля подсушете със кърпа или гъба.

Поставете тапата за затваряне на отвора обратно на нейно място. (виж фигура номер 6).

За по-бързото топене на леда моля оставете вратата отворена.

Не използвайте остри метални предмети за да стържете леда, поради това че вие рискувате да пробие изпарителя.

Не използвайте сешуари за коса или други нагревателни електрически уреди за обезскрежаването.

Почистване от вътре

Преди да започнете операцията по почистването извадете щепсела на уреда от контакта.

- Препоръчва се вие да почистите уреда когато той е обезскрежен.
- Измийте вътрешността с хладка вода в която сте разтворили неутрален миеш препарат. Не използвайте сапун, миеш препарати, нафта или ацетон които могат да оставят силна миризма.
- Избършете със влажна гъба и подсушете със суха мека кърпа.

По време на почистването избягвайте да използвате прекалено много вода за да предпазите тя да не попадне във термичната изолация на уреда, което може да предизвика отделянето на неприятни миризми.

Бъдете внимателни да предотвратите вода да попадне във отвора зад лампите!

След като завършите почистването,

включете щепсела на уреда в електрическия контакт.

Не забравяйте да почистите уплътненията и специално уплътняващите повърхности с помощта на чиста кърпа.

Почистване от вън

- Почистете уреда от вън използвайки гъба натопена във топла сапунена вода и след това подсушете със суха мека кърпа.
- Почистването на външните хладилни части (компресор, кондензатор, съединяващите тръби) трябва да се извършва използвайки мека четка или прахосмукачка. По време на тази операция моля вземете мерки да не нараните тръбите или да дърпате навън кабелите.

Не използвайте полираща пудра или абразивни материали!

- След като завършите почистването, приберете принадлежностите на техните места и включете щепсела на уреда в електрическия контакт.

Ръководство за ползване

Ръководство за откриване на повреди
В случай че вашия уред не работи моля проверете дали:

- Няма прекъсване на електрическото захранване.
- Дали щепсела на захранващия кабел не е включен неправилно в електрическия контакт.
- Че предпазителя не е изгорял.
- Че термостата не е поставен на положение изключено ("OFF").

Че температурата не е достатъчно ниска. (червения свето диод светне)

- Че вратата не е затворена правилно.
- Има поставена храна която пречи на вратата да се затвори.
- Уреда не е поставен на неподходящо място.
- Уреда е поставен твърде близо до нагревателен уред.
- Че термостата не е поставен на правилното положение.

Твърде много лед се натрупва във отделението на фризера.

- Вратата не е затворена правилно.

Вратата не може да се затвори плътно поради това че и пречат пакети с храна.

Следното не е са дефекти

- Ако червения свето диод светне за кратко време. Това може да бъде предизвикано от поставянето на храна във отделението на фризера или от топъл въздух поради това че вратата е оставена отворена за дълго време.
- Възможно разклащане или пукане идващо от продукта: следствие от циркулацията на хладилния агент във системата.

Шум по време на работа на апарата

За да се поддържа температурата на стойността която вие сте задали, то компресора на уреда се включва периодично.

Шума който се чува при това е нормално. Това се извършва до тогава докато уреда достигне работната температура.

Бръмчащ шум се създава от компресора. Той може да бъде малко по-силен когато компресора стартира работата си.

Шум от кипене и бълбукане се чува при протичане на хладилния агент по тръбите на уреда, и това са нормални работни шумове.

- Шум от пукане могат да се чуват по време на обезскрежаването, когато стените на уреда се разширяват или свиват от промяната на температурата и това предизвиква този шум.

ВНИМАНИЕ!

Никога не извършвайте поправка на уреда или неговите електрически компоненти сами. Всяка поправка извършена от неквалифициран работник е опасно за потребителя и може да доведе до отпадане на гаранциите.

Правилно изхвърляне на този продукт



Този знак показва, че уредът не може да бъде изхвърлян заедно с другите домакински отпадъци навсякъде в Европейския съюз. За да предотвратим възможни вреди на околната среда или човешкото здраве, причинени от неконтролираното изхвърляне на отпадъци, да ги рециклираме отговорно, за да спомагаме повторната употреба на материалните ресурси. За да върнете използвания си уред, се свържете с търговеца, от който сте го закупили, или с лицензирана компания за рециклиране. Те могат да вземат Вашия уред за съответната безопасна преработка.

Gratulálunk a választásához

Az Ön által megvásárolt hűtőláda a **BEKO** termékcsalád tagja és harmonikusan ötvözi a hűtési technológiát az esztétikus kinézettel. Új, vonzó kialakítással rendelkezik valamint az európai és nemzeti előírások szerint készült, amely garancia a megfelelő működésre és a biztonságosságra. Ugyanakkor a használt hűtőközeg, az R600a környezetbarát és nincs káros hatással az ózonrétegre.

Tanácsok a régi készülék hasznosításához

Ha az újonnan megvásárolt készülék egy régi készülék helyére kerül, néhány szempontot figyelembe kell venni.

A régi készülék nem értéktelen szemét. A megsemmisítése, a környezet megóvásával együtt, segíti a fontos alapanyagok újrahasznosítását.

A régi készülék használhatatlanná tétele:

- Húzza ki a készüléket az elektromos hálózathoz.
- Távolítsa el a hálózati vezeték (vágja el).
- Távolítsa el az ajtón lévő zárat, hogy elkerülje a gyermekek bezáródását és mások életének veszélyeztetését.

A hűtőgépek szigetelőanyagot és hűtőközeget tartalmaznak, amelyek megfelelő újrahasznosítást igényelnek.

Ennek a készüléknek a használata, csökkentett szellemi és fizikai képességekkel rendelkezők számára csak felügyelet mellett tanácsos.

A készülék a gyerekek számára veszélyes, ezért, csak felügyelet mellett használhatják.

A készülék nem játékszer.

Gratulálunk a választásához

Vigyázat!

Ne engedje, hogy a gyermekek játszanak a csomagolással vagy a csomagolás darabjaival.

Fulladás veszélye áll fenn a hullámpapír és a műanyag zacskók miatt.

Azért, hogy a készüléket jó állapotban kapja meg, a készüléket megfelelő csomagolással védjük. A csomagolás minden eleme környezetbarát és újrahasznosítható. Kérjük segítse a környezet megővését a csomagolóanyag újrahasznosításával.

Fontos!

A készülék használatba vétele előtt figyelmesen olvassa át a teljes használati útmutatót. Ezek fontos információkat tartalmaznak a készülék beállításával és karbantartásával kapcsolatban.

A gyártó nem vállal semmilyen felelősséget, ha a használati útmutatóban található információk nem kerülnek betartásra. A használati útmutatót őrizze meg, olyan helyen, ahonnan bármikor elő tudja venni, ha szüksége van rá.

Más felhasználóknak is jól jöhet.

Figyelem!

A készüléket csak arra szabad használni, amire tervezték (háztartásban), a megfelelő helyen, esőtől, nedvességtől és egyéb környezeti ártalmaktól távol.

Szállítási előírások

A készüléket lehetőség szerint függőleges helyzetben kell szállítani. A csomagolás szállítás közben tökéletes állapotban legyen. Ha szállítás közben a készüléket vízszintes helyzetbe tette (csak a csomagoláson feltüntetett jelzés szerint), javasoljuk, hogy használatba vétele előtt a készüléket hagyja 4 órán át pihenni, hogy a hűtőkör leülepedjen.

Ezen előírások benemertartása a motorkompresszor tönkremeneteléhez vezethet és a garancia érvényét veszti.

Figyelmeztetések és általános tanácsok

- Ne csatlakoztassa a készüléket az elektromos hálózathoz, ha hibát észlel rajta.
- A javítást kizárólag szakszerviz végezheti.
- Az alábbi esetekben kérjük, hogy húzza ki a csatlakozót a hálózati aljzatból:
 - Ha a készüléket teljesen leolvasztja.
 - Ha a készüléket tisztítja.

A hálózathoz ne a vezetékhez, hanem a csatlakozónál fogva húzza ki a vezetékét!

- Biztosítsa a fal és a készülék között a minimális távolságot.
- Ne másszon fel a készülékre.
- Ne engedje, hogy a gyermekek a készülékben játszanak vagy oda bújjanak el.
- Soha ne használjon elektromos készülékeket a fagyasztóban a készülék leolvasztásának elősegítésére.
- Ne használja a készüléket fűtőtestek, tűzhelyek vagy egyéb hőforrások közelében.
- Ne hagyja a fagyasztó fedelét a szükségesnél hosszabb időre nyitva.
- Ne hagyja az ételt a készülékben, ha nem működik.
- Ne tartson a fagyasztóban gyúlékony vagy robbanásveszélyes anyagokat.
- Ne tartson a készülékben szénsavas italokat, mert a flakon felrobbanhat! Ne fagyasszon italokat műanyag flakonban.
- Ne egyen jégkrémet vagy jégkockát rögtön azután, hogy kivette a fagyasztóból, mert fagyási sérülést okozhat.
- Ne érjen a hideg fém részekhez vagy a fagyott ételhez nedves kézzel, mert a keze gyorsan odafagyhat a nagyon hideg felülethez.
- A készülékbe a szállítás és raktározás közbeni védelem érdekében merevítőket helyeztek be az ajtó és a tároló rész közé (az első és hátsó oldalra). Ezeket a merevítőket a készülék üzembehelyezése előtt el kell távolítani.
- A rácsra és kosarakra lerakódott jeget rendszeresen el kell távolítani a mellékelt műanyag kaparóval. Ne használjon fémtárgyakat a jég eltávolításához. Ez a jéglerakódás megakadályozza az ajtók megfelelő záródását.

- Ha a készüléket pár napig nem használja, nem javasoljuk, hogy kikapcsolja. Ha hosszabb ideig nem fogja használni, kérjük az alábbiak szerint járjon el:
 - Húzza ki a készüléket a hálózathoz.
 - Ürítse ki a fagyasztót.
 - Olvassza le és tisztítsa ki.
 - Hagyja a fedelét nyitva a kellemetlen szagok kialakulásának megelőzése érdekében.
- Ha az áramellátó zsinór megsérült, annak kicserélését a gyártóval, a gyártó szervizelőjével vagy hasonló képzett szakemberrel kell elvégeztetni a veszély elkerülése érdekében.
- Ha a készüléken van zár, zárja be és a kulcsot biztos helyen tárolja, gyermekek által elérhetetlen helyen. Ha zárral rendelkező készüléket készül kidobni, a zárat tegye használhatatlanná. Ez azért nagyon fontos, mert így a gyermekek nem tudnak bennragadni.

Beüzemelés

A készüléket -15°C és $+43^{\circ}\text{C}$ közötti környezeti hőmérsékleten történő működésre tervezték. Ha a környezeti hőmérséklet $+43^{\circ}\text{C}$ fölött van, a készülék belsejében a hőmérséklet növekedhet.

A készüléket hőforrástól messze helyezze üzembe.

Meleg szobában vagy hőforrások közvetlen közelében üzemeltetve illetve közvetlen napfénynek kitéve az energiafogyasztás növekszik és a termék élettartama csökken.

• Kérjük, vegye figyelembe az alábbi minimális távolságokat:

- Szén vagy olajtűzhelyektől 100 cm.
- Elektromos vagy gáztűzhelyektől 150 cm.
- Biztosítsa a készülék körüli szabad légáramlást a 2. ábra szerinti távolságok betartásával.
- A párologtatókra szerelje rá a készülékhez kapott távtartókat (**3. ábra**).
- A készüléket tökéletesen egyenletes, száraz és jól szellőző helyre tegye.
- Szerelje fel a készülékhez kapott tartozékokat.

Elektromos csatlakozás

A készülék egyfázisú, 220-240V/ 50Hz hálózati áramról működtethető. A készülék elektromos hálózathoz történő csatlakoztatása előtt győződjön meg róla, hogy az elektromos rendszer (feszültség, áram típusa, frekvencia) megfelel a készüléken feltüntetett feszültségeknek.

- A hálózati feszültség és a teljesítmény fel van tüntetve a készülék adatlapján a fagyasztó belsejében.
- Az elektromos hálózatnak meg kell felelnie a hatósági előírásoknak.
- **A készüléket földelni kötelező. A gyártó nem vállal felelősséget személyek vagy állatok sérüléséért vagy anyagi kárért, amelyek a meghatározott feltételek betartásának elmulasztása miatt következnek be.**
- A készülék kettős földelő érintkezővel rendelkező hálózati vezetékkel és csatlakozóval (európai típus, 10/16A jelöléssel) rendelkezik. Ha a hálózati aljzat nem illeszkedik a csatlakozóhoz, kérjen meg egy villanyszerelőt, hogy cserélje ki az aljzatot.
- Ne használjon hosszabbító vezetékot vagy elosztót.

Kikapcsolás

A készüléket úgy lehet kikapcsolni, hogy kihúzza az elektromos hálózati aljzathoz vagy az aljzat előtt található kétállású kapcsolót lekapcsolja.

Használat

Mielőtt a készüléket üzembe helyezi, tisztítsa ki a készülék belsejét (lásd. „Tisztítás” fejezet).

Ezután csatlakoztassa a készüléket az elektromos hálózathoz és állítsa a hőfokszabályzót középső állásba. A zöld és a piros LEDeknek fel kell kapcsolódnuk. Legalább 2 órán keresztül hagyja bekapcsolva a készüléket, mielőtt ételt tesz bele. Friss ételek fagyasztása kb. 20 perc működés után lehetséges.

A készülék leírása

1. ábra

1. Fedél fogantyú
2. Fedél
3. Termosztát doboz
4. Kosár
5. Szállítási távtartó

A fagyasztó működése

Hőmérséklet beállítás

A fagyasztó hőmérsékletét a termosztátra erősített gomb elforgatásával lehet beállítani **(4. ábra)**. A „MAX” a legalacsonyabb hőmérsékletet jelenti.

Az elért hőmérséklet a használati feltételektől függ: a készülék helye, a környezeti hőmérséklet, az ajtónyitás gyakorisága, a benne tárolt étel mennyisége. A termosztát kapcsoló helyzetét ezek alapján változtassa. Normál esetben, 32°C környezeti hőmérséklet esetén a termosztátot középállásba kell állítani.

A jelzőrendszer a fagyasztó hátsó található **(5. ábra)**.

Az alábbiakat tartalmazza:

1. Termosztát szabályzó gomb – a belső hőmérsékletet állítja.
2. Zöld LED – mutatja, hogy a készülék kap elektromos áramot.
3. Piros LED – kár – mutatja, ha a fagyasztóban a hőmérséklet nagyon magas. A LED bekapcsolás után 15-45 percig világít, majd el kell aludnia. Ha a LED továbbra is világít, az hibát jelez.
4. Narancssárga LED – gyorsfagyasztás funkció aktiválva – a gombot Superfreeze (szuperfagyasztás) állásba helyezve, a narancssárga LED kigyullad és jelzi, hogy a készülék „gyorsfagyasztás” üzemmódba került. Ebből az üzemmódból a kilépés 50 óra után automatikusan megtörténik, ezt követően a készülék takarékos üzemmódban működik, a narancssárga LED pedig kialszik.

Ez a három LED nyújt információt a készülék működéséről.

Tartósítási tanácsok

A fagyasztó fagyasztott étel hosszú ideig történő eltartására illetve friss étel lefagyasztására való.

A sikeres fagyasztás egyik kulcseleme a csomagolás.

A csomagolásnak az alábbi alapvető feltételeket kell teljesítenie: légmentes, közömbös az étellel szemben, ellenáll az alacsony hőmérsékletnek, nem ereszti át a folyadékokat, zsírokat, a párákat és a szagokat, valamint tisztítható.

Ezeket a feltételeket az alábbi típusú csomagolások teljesítik: műanyag vagy alufólia, műanyag és alumínium edények. Mázas kartonpoharak vagy műanyag poharak.

Fontos!

- Friss ételek fagyasztásához használja a készülék kosarait.
- Ne tegyen egyszerre túl nagy mennyiségű ételt a fagyasztóba. Az étel minősége akkor marad meg a legjobban, ha a lehető leggyorsabban hűl le. Ezért javasoljuk, hogy ne lépje túl a készülék fagyasztási kapacitását, amelyet a **Termékismertető adatlap** fejezetben találhat meg.
- A friss étel nem érintkezhet a már lefagyasztott étellel.
- A vásárolt mirelit ételek a termosztát átállítása nélkül behelyezhetők a készülékbe.
- Ha a fagyasztási dátum nincs feltüntetve a csomagoláson, általános irányelvként maximum 3 hónapig tárolja.
- Az étel, még ha csak részlegesen olvadt is ki, nem fagyasztható le újra. El kell fogyasztani vagy meg kell főzni illetve sütni.
- Szénsavas italokat ne tartson a fagyasztóban.
- Ha nincs áram, ne nyissa ki a fagyasztó fedelét. A fagyasztott étel nem fog károsodni, ha az áramkimaradás kevesebb, mint 36 órát tart.

Fagyasztás a „Superfrost” segítségével

- Állítsa a gombot szuperfagyasztás állásba. A „Superfrost” lámpa kigyullad.
- Várjon 24 órát.

- Helyezze be a friss ételt a fagyasztóba. A gyors lefagyasztás érdekében az ételnek a fagyasztóba történő behelyezéskor érintkeznie kell a belső falakkal.
- A Superfrost lehetőség 50 óra után automatikusan kikapcsolja a gyorsfagyasztást.

Fontos!

Amikor a gombot Superfrost pozícióba állítja, a kompresszor lehet, hogy néhány percig még nem kapcsol be. Ennek oka a beépített fokozatkésleltető kapcsoló, amelynek célja a hűtőegység élettartamának növelése.

A Superfrost funkciót nem szabad bekapcsolni:

- amikor ételt helyez be a fagyasztóba;
- ha naponta max. kb. 2 kg friss ételt fagyaszt le.

Leolvasztás

- Javasoljuk, hogy évente legalább kétszer olvassza le a fagyasztót vagy ha a jég túl vastag.
- A jegesedés normális jelenség.
- A jég lerakódásának mennyisége és sebessége a környezeti feltételektől és az ajtónyitás gyakoriságától függ.
- Javasoljuk, hogy a leolvasztást akkor végezze, amikor a lehető legkevesebb étel van a fagyasztóban.
- Leolvasztás előtt állítsa a termosztátot magasabb állásra, hogy az étel több hideget tároljon.
- Húzza ki a készüléket a hálózathoz.
- Vegye ki a fagyasztott ételeket, csavarja be jó pár réteg papírba és tegye őket a hűtőszekrénybe vagy hűvös helyre. Vegye ki az elválasztó lapot és tegye a fagyasztó alá a csepegtető cső irányába. Húzza ki a dugót. A víz a különleges tálcában (elválasztó lap) fog összegyűlni. Miután a jég megolvadt és a víz lefolyt, törölje le egy ruhával vagy szivaccsal és alaposan szárítsa meg. Tegye vissza a dugót **(6 ábra)**. A gyors leolvasztás érdekében a fedelet hagyja nyitva.

Ne használjon éles tárgyakat a jég lekaparásához.

Ne használjon hajszárítót vagy egyéb elektromos fűtőkészüléket a leolvasztás gyorsításához.

Belső tisztítás

A tisztítás megkezdése előtt húzza ki a készüléket az elektromos hálózathoz.

- Javasoljuk, hogy leolvasztáskor tisztítsa is ki a készüléket.

- A belső részt kézmeleg vízzel mossa le, amihez tegyen egy kevés semleges tisztítószeret. Ne használjon szappant, mosószeret, benzint vagy acetont, mert ezek erős szagot hagynak maguk után.

- Törölje le nedves szivaccsal és szárítsa meg puha ronggyal.

Eközben ne használjon sok vizet, hogy jusson be a készülék hőszigetelésébe, ami kellemetlen szagot okozhat.

Ne felejtse el letisztítani az ajtó tömítést sem, főleg a bordázat alatt egy tiszta ronggyal.

Külső tisztítás


- A készülék külsejét meleg, szappanos vízbe mártott szivaccsal takarítsa le., majd puha ronggyal törölje le és szárítsa meg.

- A hűtőáramkör külső részeit (kompresszor, párologtató, csatlakozócsövek) puha kefével vagy porszívóval tisztítsa le. Eközben ügyeljen rá, hogy ne hajlítsa el a csöveket és ne húzza szét a vezetékeket.

Ne használjon súroló vagy dörzsölőszereket!

- A tisztítás befejezése után tegye vissza a tartozékokat a helyükre és csatlakoztassa a készüléket az elektromos hálózathoz.



A terméken vagy a csomagoláson található  ábra azt jelzi, hogy a termék nem kezelhető háztartási hulladékként, hanem a megfelelő, az elektromos és elektronikus felszerelések újrahasznosítására létesült begyűjtő pontokban kell leadni. Ha gondoskodik a termék megfelelő leselejtezéséről, segít megelőzni azokat a környezetre és egészségre káros hatásokat, amelyeket a termék nem megfelelő leselejtezése eredményezne. A termék leselejtezésével kapcsolatos további részletekért forduljon a lakóhelyén található háztartási hulladék begyűjtőhöz vagy az áruházhoz, ahol a terméket megvásárolta.

