



Refrigerator-Freezer type I
Kühl-Gefrier-Typ I
Réfrigérateur-Congélateur de type I
Koel-Vriescombinatie type I
Chłodziarko-Zamrażarka typu I
Chladnička-Mrazák typu I
Chladnička-Mraznička typu I

RCSA225K20W

EN Index

Safety first /1
Electrical requirements /2
Transportation instructions /2
Installation instructions /2
Getting to know your appliance /3
Suggested arrangement of food in the appliance /3
Temperature control and adjustment /3
Before operating /3
Storing frozen food /4
Freezing fresh food /4
Making ice cubes /4
Defrosting /4
Replacing the interior light bulb /5
Cleaning and care /5
Repositioning the door /5
Do's and don'ts /5
Energy consumption /6
Information about operating noises /7
Troubleshooting /7

D Inhalt

Wichtige Hinweise für Ihre Sicherheit /8
Elektrischer Anschluss; Transporthinweise /9
Aufstellung des Gerätes /9
Geräteübersicht /10
Allgemeine Einlagerungsempfehlungen /10
Temperaturregelung. Einstellung der Temperatur /10
Bevor der Inbetriebnahme /11
Lagern von tiefgefrorenen Lebensmitteln /11
Einfrieren von frischen Lebensmitteln /11
Abtauen des Gerätes /11
Wechseln des türanschlags /12
Wechsel der Glühlampe /12
Reinigung und Pflege /12
Was Sie tun sollten und was auf keinen fall-einige Hinweise /13
Energieverbrauch /14
Hinweise zu Geräuschen und Vibrationen, die im Betrieb auftreten können /14
Massnahmen bei Betriebsstörung /14

FR Sommaire

Premièrement la sécurité! /16
Avertissements et conseils importants /17
Installation /17
Branchement au réseau /17
Présentation de l'appareil /17
Réversibilité de la porte /18
Mise en fonctionnement /18
Entreposage des produits a conserver /18
Réglage de la température /18
Changement de l'ampoule /18
Congélation des produits frais /18
Conservation des produits congelés /19
Production des cubes des glace /19
Décongélation /19
Dégivrage /19
Nettoyage /20
Consommation énergétique /20
Remarques sur les bruits de fonctionnement /21

NL Index

Veiligheid eerst /22
Elektriciteitsvereisten /23
Transportinstructies /23
Installatie-instructies /23
Uw toestel leren kennen /24
Voorstel voor de schikking van de etenswaren in het toestel /24
Opmeting en regeling van de temperatuur /24
Alvorens de inwerkstelling /25
Diepvriesproducten bewaren /25
Verse etenswaren invriezen /25
Ijsblokjes maken; Ontdooien /25
Het binnenlichtje vervangen /26
Schoonmaak en onderhoud /26
De deur verplaatsen /27
Wel en niet /27
Energieverbruik /27
Informatie over de functiegeluiden /28
Problemen oplossen /28

PL Spis treści

Bezpieczeństwo przede wszystkim /29
Podłączenie do zasilania /30
Instrukcja transportu i ustawienia /30
Montaż /30
Zapoznaj się z Twoim urządzeniem /31
Porady dotyczące przechowywania żywności /31
Regulacja temperatury /31
Uruchamianie /32
Porady dotyczące przechowywania zamrożonej żywności /32
Mrożenie świeżej żywności /32
Jak robić kostki lodu /32
Odmrażanie /32
Wymiana żarówki /33
Czyszczenie urządzenia /33
Zmiana kierunku otwierania drzwi /33
Środki ostrożności w trakcie użytkowania /34
Dźwięki wydawane podczas pracy /34
Usuwanie usterek /34
Rozmieszczenie żywności; Przykłady zastosowań /35
Zalecane ustawienia /35
Odzysk opakowania /36
Odzysk starego urządzenia chłodniczego /36
Zużycie energii /37
Informacja dotycząca odgłosów i drgań /37

CZ Obsah

Bezpečnost především /38
Elektrické požadavky /39
Pokyny pro přepravu /39
Pokyny pro instalaci /39
Seznámení s vaším spotřebičem /40
Doporučené rozložení potravin ve spotřebiči /40
Kontrola a nastavení teploty /40
Před zahájením provozu /40
Skladování zmražených potravin /41
Mražení čerstvých potravin /41
Tvorba kostek ledu /41
Odmrazování /41
Výměna vnitřní žárovky /42
Čištění a péče /42
Výměna dvířek /42
Co dělat a co nedělat /43
Spotřeba energie /44
Informace týkající se hlučnosti /44
Odstraňování potíží /44

SK Obsah

Bezpečnosť nadovšetko /45
Elektrické požiadavky /46
Prepravné pokyny /46
Inštaláčnne pokyny /46
Poznávanie spotrebiča /47
Navrhnuté rozmiestnenie potravín v spotrebiči /47
Riadenie a nastavenie teploty /47
Pred prevádzkou /48
Skladovanie mrazených potravín /48
Mrazenie čerstvých potravín /48
Tvorba kociek ľadu /48
Rozmrazovanie /48
Výmena žiarovky vnútorného svetla /49
Čistenie a údržba /49
Premiestňovanie dverí /50
Čo sa má a čo sa nesmie robiť /50
Spotreba energie /51
Informácie týkajúce sa zvukov a vibrácií /51
Riešenie problémov /51

WARNING!

In order to ensure a normal operation of your refrigerating appliance, which uses a completely environmentally friendly refrigerant the R600a (flammable only under certain conditions) you must observe the following rules:

- ◆ Do not hinder the free circulation of the air around the appliance.
- ◆ Do not use mechanical devices in order to accelerate the defrosting, others than the ones recommended by the manufacturer.
- ◆ Do not destroy the refrigerating circuit.
- ◆ Do not use electric appliances inside the food keeping compartment, other than those that might have been recommended by the manufacturer.

WARNUNG!

Ihr Gerät verwendet ein umweltverträgliches Kältemittel, R600a (nur unter bestimmten Umständen brennbar). Um einen einwandfreien Betrieb Ihres Gerätes sicherzustellen, beachten Sie bitte folgende Vorschriften:

- ◆ Die Luftzirkulation um das Gerät darf nicht behindert sein.
- ◆ Verwenden Sie außer der vom Hersteller empfohlenen, keine mechanischen Hilfsmittel, um den Abtauprozess zu beschleunigen.
- ◆ Der Kältemittelkreislauf darf nicht beschädigt werden.
- ◆ Verwenden Sie im Lebensmittelaufbewahrungsbereich Ihres Gerätes keine elektrischen Geräte, es sei denn, sie sind vom Hersteller empfohlen.

ATTENTION!

Pour assurer un fonctionnement normal de votre appareil qui utilise un agent frigorigère écologique, R600a (inflammable seulement sous certaines conditions) vous devez respecter les règles suivantes:

- ◆ N'empêchez pas la libre circulation de l'air autour de l'appareil.
- ◆ N'utilisez pas des dispositifs mécaniques pour accélérer le dégivrage, autres que ceux recommandés par le fabricant.
- ◆ Ne détruisez pas le circuit frigorigère.
- ◆ N'utilisez pas des appareils électriques à l'intérieur du compartiment pour conserver les aliments, hormis celles qui sont éventuellement recommandés par le fabricant.

WAARSCHUWING!

U moet de volgende regels in acht nemen om de normale werking van uw koelkast, die het volledig milieuvriendelijke koelmiddel R600a gebruikt, te verzekeren:

- ◆ Hinder de vrije luchtcirculatie rond het toestel niet.
- ◆ Gebruik geen andere mechanische toestellen om het ontdooien te versnellen dan de toestellen die door de fabrikant worden aangeraden.
- ◆ Vernietig het koelcircuit niet.
- ◆ Gebruik geen andere elektrische toestellen in de bewaarlade voor etenswaren dan de toestellen die eventueel door de fabrikant worden aangeraden.

UWAGA!

Aby zapewnić normalną pracę tej, wykorzystującej całkowicie przyjazny środowisku (łatwopalny tylko w pewnych warunkach) środek chłodniczy R600a, chłodziarko-zamrażarki, należy przestrzegać następujących zasad:

- ◆ Nie należy blokować swobodnego przepływu powietrza wokół chłodziarko-zamrażarki.
- ◆ W celu przyspieszenia rozmrażania nie należy używać żadnych innych urządzeń mechanicznych niż zalecane przez producenta.
- ◆ Nie wolno uszkodzić obwodu chłodniczego.
- ◆ Wewnątrz komory przechowywania żywności nie należy używać żadnych innych urządzeń elektrycznych niż ewentualnie zalecanych przez producenta.

UPOZORNĚNÍ!

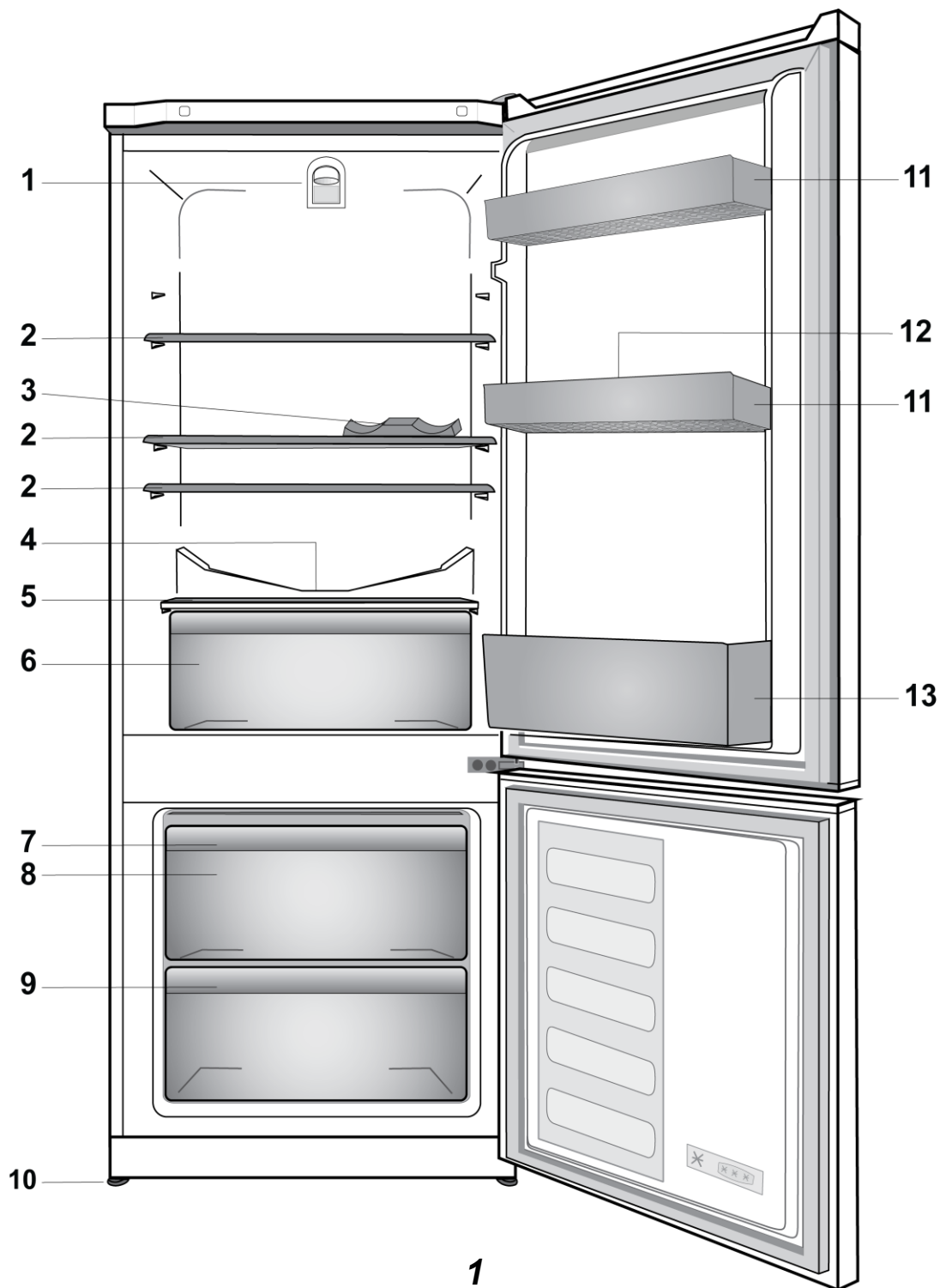
Aby byl zajištěn normální provoz vaší chladničky, která používá pro životní prostředí zcela neškodné chladicí médium R600a (vzňetlivé pouze za určitých podmínek), musíte dodržet následující pravidla:

- ◆ Nebraňte ve volné cirkulaci vzduchu kolem přístroje.
- ◆ Nepoužívejte mechanická zařízení pro zrychlení odmražení kromě těch, která jsou doporučená výrobcem.
- ◆ Nelikvidujte chladicí okruh.
- ◆ Nepoužívejte elektrické spotřebiče uvnitř prostoru pro potraviny kromě těch, která by mohl doporučit výrobce.

VAROVANIE!

Aby sa zabezpečila normálna prevádzka vašej chladničky, ktorá používa úplne ekologicky nezávadné chladivo R 600a (horľavé len pri určitých podmienkach), musíte dodržiavať nasledujúce pravidlá:

- ◆ Nebráňte voľnej cirkulácii vzduchu okolo spotrebiča.
- ◆ Nepoužívajte mechanické prístroje na urýchľovanie rozmrazovacieho procesu, iné ako odporúča výrobca.
- ◆ Neporušujte chladiaci okruh.
- ◆ Nepoužívajte elektrické spotrebiče vo vnútri pípacieho priestoru potravín, iné ako tie, ktoré odporúča výrobca.



1

i Figures that take place in this instruction manual are schematic and may not correspond exactly with your product. If the subject parts are not included in the product you have purchased, then it is valid for other models.

i Abbildungen und Angaben in dieser Anleitung sind schematisch und können etwas von Ihrem Produkt abweichen. Falls Teile nicht zum Lieferumfang des erworbenen Gerätes zählen, gelten sie für andere Modelle.

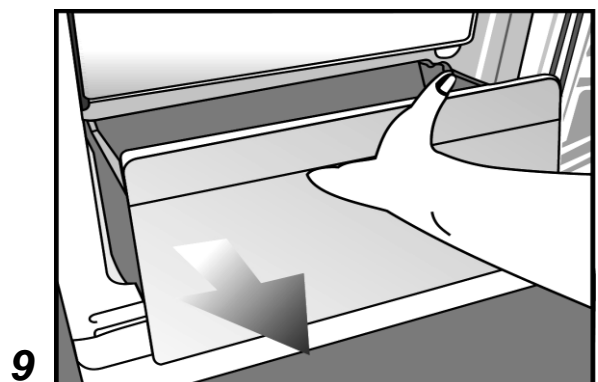
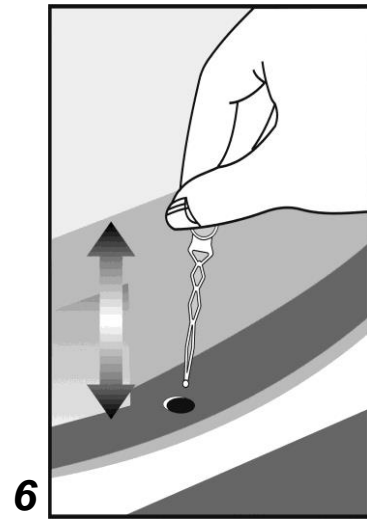
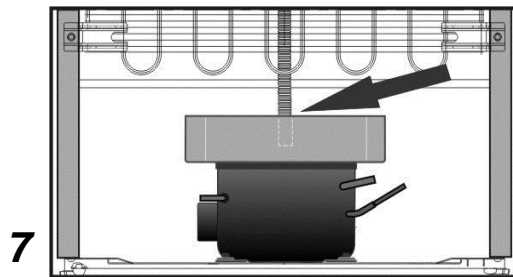
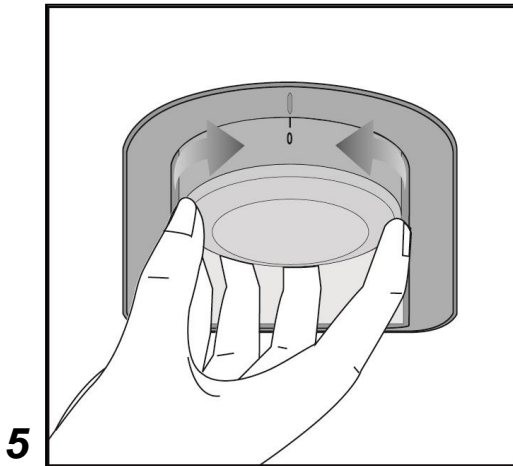
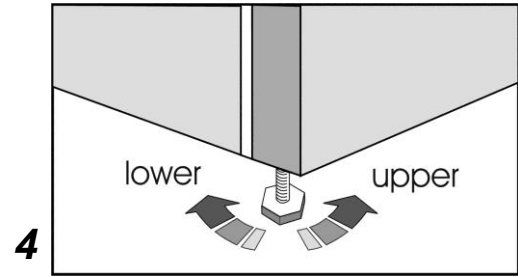
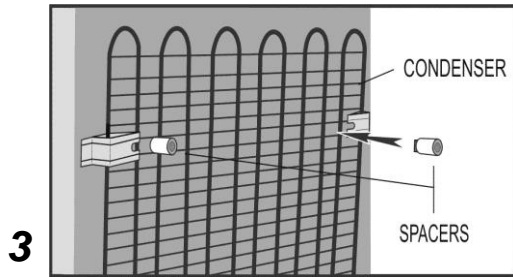
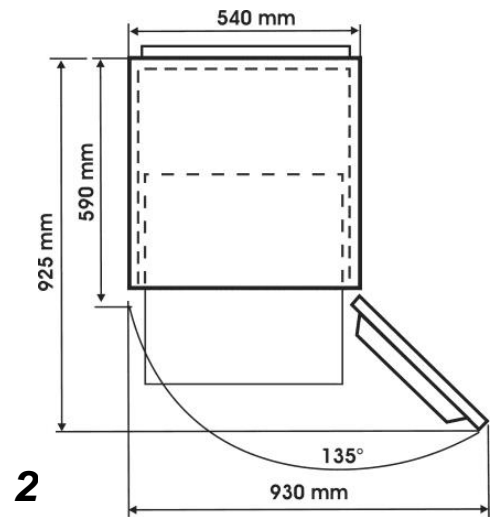
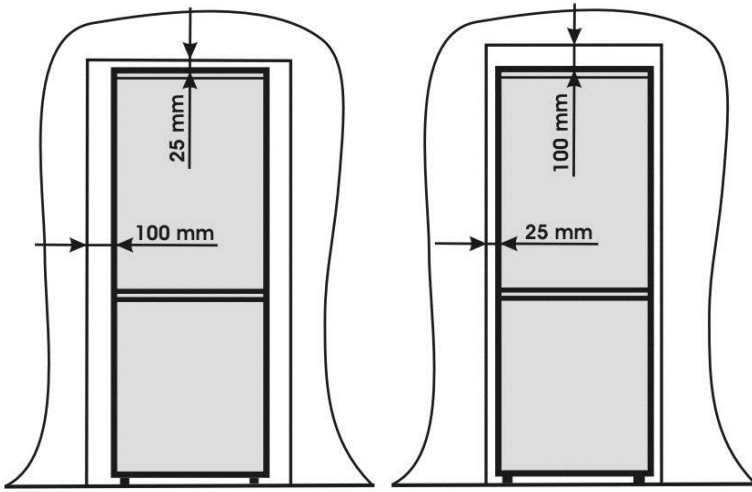
i Les illustrations présentées dans cette notice d'utilisation sont schématiques et peuvent ne pas correspondre exactement à votre produit. Si certains éléments illustrés ne sont pas inclus dans le produit que vous avez acheté, ils concerneront d'autres modèles.

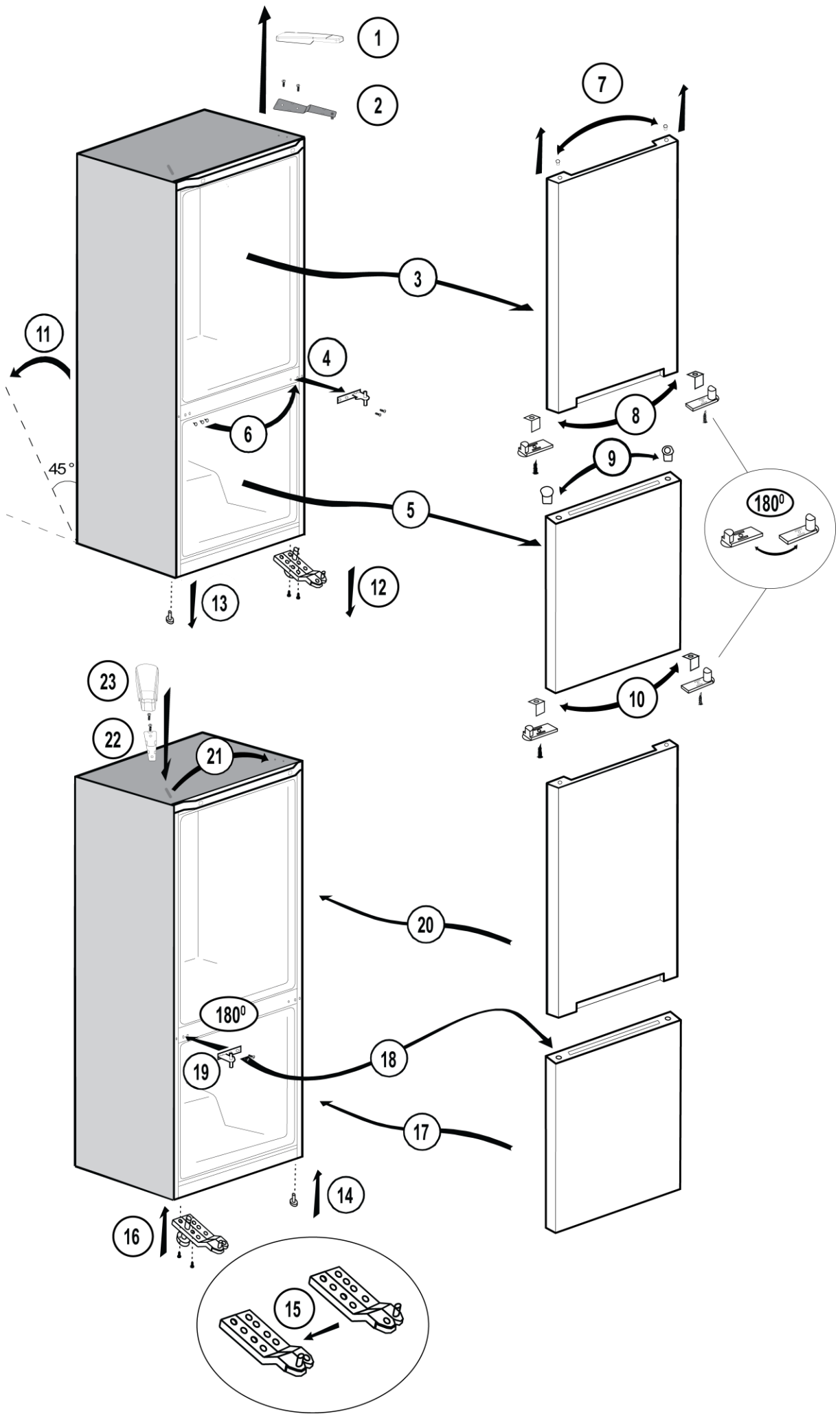
i De afbeeldingen in deze gebruiksaanwijzing zijn schematisch en hoeven niet exact met uw product overeen te komen. Wanneer onderdelen niet tot het product behoren dat u hebt gekocht, gelden deze voor andere modellen.

i Rysunki w niniejszej instrukcji to tylko schematy i nie muszą ściśle odpowiadać Waszemu modelowi chłodziarki. Jeśli pewnych części nie ma w Waszej chłodziarce, to znaczy, że odnoszą się do innych modeli.

i Sestava uvedená v tomto manuálu k použiti je pouzite schematická a nemusí presne odpovídat Vašemu produktu. Pokud produkt, který jste nakoupil nezahrnuje určité součásti, ty platí pro jiné modely.

i Obrázky v tejto príručke k obsluhu sú schematické a nemusia sa presne zhodovať s vaším produktom. Ak produkt, ktorý ste si zakúpili, nedisponuje uvádzanými časťami, potom sa to týka iných modelov.





Congratulations on your choice of a **BEKO** Quality Appliance, designed to give you many years of service.

Safety first!

Do not connect your appliance to the electricity supply until all packing and transit protectors have been removed.

- Leave to stand for at least 4 hours before switching on, to allow compressor oil to settle, if transported horizontally.
- If you are discarding an old appliance with a lock or latch fitted to the door, ensure that it is left in a safe condition to prevent the entrapment of children.
- This appliance must only be used for its intended purpose.
- Do not dispose of the appliance on a fire. Your appliance contains non CFC substances in the insulation which are flammable. We suggest you contact your local authority for information on disposal and available facilities.
- We do not recommend use of this appliance in an unheated, cold room. (e.g. garage, conservatory, annex, shed, out-house etc.)

To obtain the best possible performance and trouble free operation from your appliance it is very important to read these instructions carefully. Failure to observe these instructions may invalidate your right to free service during the guarantee period.

Please keep these instructions in a safe place for easy reference.

Original Spare parts will be provided for 10 years, following the product purchasing date.

**This appliance is not intended for use by person with reduced physical, sensory or mental capabilities or lack of experience and knowledge unless they have been given supervision or instruction concerning use of the appliance by a person responsible for their safety.
Children should be supervised to ensure that they do not play with the appliance.**

Electrical requirements

Before inserting the plug into the wall socket make sure that the voltage and the frequency shown in the rating plate inside the appliance corresponds to your electricity supply.

We recommend that this appliance is connected to the mains supply via a suitably switched and fused socket in a readily accessible position.

Warning! This appliance must be earthed.

Repairs to electrical equipment should only be performed by a qualified technician. Incorrect repairs carried out by an unqualified person are carry risks that may have critical consequences for the user of the appliance.

ATTENTION!

This appliance operates with R600a which is an environmental friendly but flammable gas. During the transportation and fixing of the product, care must be taken not to damage the cooling system. If the cooling system is damaged and there is a gas leakage from the system, keep the product away from open flame sources and ventilate the room for a while.

WARNING - Do not use mechanical devices or other means to accelerate the defrosting process, others than those recommended by the manufacturer.

WARNING - Do not damage the refrigerant circuit.

WARNING - Do not use electrical appliances inside the food storage compartments of the appliance, unless they are of the type recommended by the manufacturer.

WARNING - If the supply cord is damaged, it must be replaced by the manufacturer, its service agent or similarly qualified persons in order to avoid a hazard.

Transportation instructions

1. The appliance should be transported only in an upright position. The packing as supplied must be intact during transportation.

2. If during the transport the appliance, has been positioned horizontally, it must not be operated for at least 4 hours, to allow the system to settle.

3. Failure to comply with the above instructions could result in damage to the appliance, for which the manufacturer will not be held liable.

4. The appliance must be protected against rain, moisture and other atmospheric influences.

Important!

- Care must be taken while cleaning/carrying the appliance not to touch the bottom of the condenser metal wires at the back of the appliance, as this could cause injury to fingers and hands.

- Do not attempt to sit or stand on top of your appliance as it is not designed for such use. You could injure yourself or damage the appliance.

- Make sure that the mains cable is not caught under the appliance during and after moving, as this could damage the cable.

- Do not allow children to play with the appliance or tamper with the controls.

Installation instructions

1. Do not keep your appliance in a room where the temperature is likely to fall below 10 degrees C (50 degrees F) at night and/or especially in winter, as it is designed to operate in ambient temperatures between +10 and +38 degrees C (50 and 100 degrees F). At lower temperatures the appliance may not operate, resulting in a reduction in the storage life of the food.

2. Do not place the appliance near cookers or radiators or in direct sunlight, as this will cause extra strain on the appliance's functions. If installed next to a source of heat or freezer, maintain the following minimum side clearances:

From Cookers 30 mm

From Radiators 300 mm

From Freezers 25 mm

3. Make sure that sufficient room is provided around the appliance to ensure free air circulation (**Item 2**).

- Put the back airing lid to the back of your refrigerator to set the distance between the refrigerator and the wall (**Item 3**).

4. The appliance should be positioned on a smooth surface. The two front feet can be adjusted as required. To ensure that your appliance is standing upright adjust the two front feet by turning clockwise or anti-clockwise, until firm contact is secured with the floor. Correct adjustment of feet prevents excessive vibration and noise (**Item 4**).

5. Refer to "Cleaning and Care" section to prepare your appliance for use.



Getting to know your appliance

(Item 1)

- 1 - Thermostat and lamp housing
- 2 - Adjustable Cabinet shelves
- 3 - Bottle holder
- 4 - Water collector
- 5 - Crisper cover
- 6 - Crisper
- 7 - Compartment for quickly freezing
- 8 - Ice tray
- 9 - Compartment for frozen foods keeping
- 10 - Adjustable foot
- 11 - Shelf for jars
- 12 - Egg tray
- 13 - Shelf for bottles

Suggested arrangement of food in the appliance

Guidelines for obtaining optimum storage and hygiene:

1. The fridge compartment is for the short-term storage of fresh food and drinks.
2. The freezer compartment is  rated and suitable for the freezing and storage of pre-frozen food.
The recommendation for  storage as stated on the food packaging should be observed at all times.
3. Dairy products should be stored in the special compartment provided in the door liner.
4. Cooked dishes should be stored in airtight containers.
5. Fresh wrapped produce can be kept on the shelf. Fresh fruit and vegetables should be cleaned and stored in the crispers.
6. Bottles can be kept in the door section.
7. To store raw meat, wrap in polythene bags and place on the lowest shelf. Do not allow to come into contact with cooked food, to avoid contamination. For safety, only store raw meat for two to three days.
8. For maximum efficiency, the removable shelves should not be covered with paper or other materials to allow free circulation of cool air.
9. Do not keep vegetable oil on door shelves. Keep the food packed, wrapped or covered. Allow hot food and beverages to cool before refrigerating. Leftover canned food should not be stored in the can.

10. Fizzy drinks should not be frozen and products such as flavoured water ices should not be consumed too cold.

11. Some fruit and vegetables suffer damage if kept at temperatures near 0°C. Therefore wrap pineapples, melons, cucumbers, tomatoes and similar produce in polythene bags.

12. High-proof alcohol must be stored upright in tightly closed containers. Never store products that contain an inflammable propellant gas (e.g. cream dispensers, spray cans, etc.) or explosive substances. These are an explosion hazard.

Temperature control and adjustment

Operating temperatures are controlled by the thermostat knob **(Item 5)** and may be set at any position between 1 and 5 (the coldest position).

The average temperature inside the fridge should be around +5°C (+41°F).

Therefore adjust the thermostat to obtain the desired temperature. Some sections of the fridge may be cooler or warmer (such as salad crisper and top part of the cabinet) which is quite normal. We recommend that you check the temperature periodically with a thermometer to ensure that the cabinet is kept to this temperature. Frequent door openings cause internal temperatures to rise, so it is advisable to close the door as soon as possible after use.

Before operating

Final Check

Before you start using the appliance check that:

1. The feet have been adjusted for perfect levelling.
2. The interior is dry and air can circulate freely at the rear.
3. The interior is clean as recommended under "Cleaning and care."
4. The plug has been inserted into the wall socket and the electricity is switched on. When the door is open the interior light will come on.

And note that:

5. You will hear a noise as the compressor starts up. The liquid and gases sealed within the refrigeration system may also make some (noise), whether the compressor is running or not. This is quite normal.

6. Slight undulation of the top of the cabinet is quite normal due to the manufacturing process used; it is not a defect.
7. We recommend setting the thermostat knob midway and monitor the temperature to ensure the appliance maintains desired storage temperatures (See section Temperature Control and Adjustment).
8. Do not load the appliance immediately it is switched on. Wait until the correct storage temperature has been reached. We recommend checking the temperature with an accurate thermometer (see; Temperature Control and Adjustment).

Storing frozen food

Your freezer is suitable for the long-term storage of commercially frozen foods and also can be used to freeze and store fresh food. If there is a power failure, do not open the door. Frozen food should not be affected if the failure lasts for less than 16 hrs. If the failure is longer, then the food should be checked and either eaten immediately or cooked and then re-frozen.

Freezing fresh food

Please observe the following instructions to obtain the best results.

Do not freeze too large a quantity at any one time. The quality of the food is best preserved when it is frozen right through to the core as quickly as possible.

Do not exceed the freezing capacity of your appliance in 24 h.

Placing warm food into the freezer compartment causes the refrigeration machine to operate continuously until the food is frozen solid. This can temporarily lead to excessive cooling of the refrigeration compartment.

When freezing fresh food, keep the thermostat knob at medium position. Small quantities of food up to 1/2 kg. (1 lb) can be frozen without adjusting the temperature control knob.

Take special care not to mix already frozen food and fresh food.

Making ice cubes

Fill the ice - cube tray 3/4 full with water and place it in the freezer. Loosen frozen trays with a spoon handle or a similar implement; never use sharp-edged objects such as knives or forks.

Defrosting

A) Fridge compartment

The fridge compartment defrosts automatically. The defrost water runs to the drain tube via a collection container at the back of the appliance (**Item 6**).

During defrosting, water droplets may form at the back of the fridge compartment where a concealed evaporator is located. Some droplets may remain on the liner and refreeze when defrosting is completed. Do not use pointed or sharp-edged objects such as knives or forks to remove the droplets which have refrozen.

If, at any time, the defrost water does not drain from the collection channel, check that no food particles have blocked the drain tube. The drain tube can be cleared with a pipe-cleaner or similar implement.

Check that the tube is permanently placed with its end in the collecting tray on the compressor to prevent the water spilling on the electric installation or on the floor (**Item 7**).

B) Freezer compartment

Defrosting is very straightforward and without mess, thanks to a special defrost collection basin.

Defrost twice a year or when a frost layer of around 7 (1/4") mm has formed. To start the defrosting procedure, switch off the appliance at the socket outlet and pull out the mains plug.

All food should be wrapped in several layers of newspaper and stored in a cool place (e.g. fridge or larder).

Containers of warm water may be placed carefully in the freezer to speed up the defrosting.

Do not use pointed or sharp-edged objects, such as knives or forks to remove the frost.

Never use hairdryers, electrical heaters or other such electrical appliances for defrosting. Sponge out the defrost water collected in the bottom of the freezer compartment.

After defrosting, dry the interior thoroughly (**Item 8 & 9**). Insert the plug into the wall socket and switch on the electricity supply.

Replacing the interior light bulb

To change the Bulb/LED used for illumination of your refrigerator, call your Authorised Service.

The lamp(s) used in this appliance is not suitable for household room illumination. The intended purpose of this lamp is to assist the user to place foodstuffs in the refrigerator/freezer in a safe and comfortable way.

The lamps used in this appliance have to withstand extreme physical conditions such as temperatures below -20°C.

Cleaning and care

1. We recommend that you switch off the appliance at the socket outlet and pull out the mains plug before cleaning.

2. Never use any sharp instruments or abrasive substances, soap, household cleaner, detergent or wax polish for cleaning.

3. Use luke warm water to clean the cabinet of the appliance and wipe it dry.

4. Use a damp cloth wrung out in a solution of one teaspoon of bicarbonate of soda to one pint of water to clean the interior and wipe it dry.

5. Make sure that no water enters the temperature control box.

6. If the appliance is not going to be used for a long period of time, switch it off, remove all food, clean it and leave the door ajar.

7. We recommend that you polish the metal parts of the product (i.e. door exterior, cabinet sides) with a silicone wax (car polish) to protect the high quality paint finish.

8. Any dust that gathers on the condenser, which is located at the back of the appliance, should be removed once a year with a vacuum cleaner.

9. Check door seals regularly to ensure they are clean and free from food particles.

10. Never:

- Clean the appliance with unsuitable material; eg petroleum based products.
- Subject it to high temperatures in any way,
- Scour, rub etc., with abrasive material.

11. Removal of dairy cover and door tray:

- To remove the dairy cover, first lift the cover up by about an inch and pull it off from the side where there is an opening on the cover.

- To remove a door tray, remove all the contents and then simply push the door tray upwards from the base.

12. Make sure that the special plastic container at the back of the appliance which collects defrost water is clean at all times. If you want to remove the tray to clean it, follow the instructions below:

- Switch off at the socket outlet and pull out the mains plug
- Gently uncrimp the stud on the compressor, using a pair of pliers, so that the tray can be removed
- Lift it up.
- Clean and wipe it dry
- Reassemble, reversing the sequence and operations

13. To remove a drawer, pull it as far as possible, tilt it upwards and then pull it out completely.

Repositioning the door

Proceed in numerical order (**Item 10**).

Do's and don'ts

Do- Clean and defrost your appliance regularly (See "Defrosting")

Do- Keep raw meat and poultry below cooked food and dairy products.

Do- Take off any unusable leaves on vegetables and wipe off any soil.

Do- Leave lettuce, cabbage, parsley and cauliflower on the stem.

Do- Wrap cheese firstly in greaseproof paper and then in a polythene bag, excluding as much air as possible. For best results, take out of the fridge compartment an hour before eating.

Do- Wrap raw meat and poultry loosely in polythene or aluminium foil. This prevents drying.

Do- Wrap fish and offal in polythene bags.

Do- Wrap food with a strong odour or which may dry out, in polythene bags, or aluminium foil or place in airtight container.

Do- Wrap bread well to keep it fresh.

Do- Chill white wines, beer, lager and mineral water before serving.

- Do-** Check contents of the freezer every so often.
- Do-** Keep food for as short a time as possible and adhere to "Best Before" and "Use by" etc. dates.
- Do-** Store commercially frozen food in accordance with the instructions given on the packets.
- Do-** Always choose high quality fresh food and be sure it is thoroughly clean before you freeze it.
- Do-** Prepare fresh food for freezing in small portions to ensure rapid freezing.
- Do-** Wrap all food in aluminium foil or freezer quality polythene bags and make sure any air is excluded.
- Do-** Wrap frozen food immediately after purchasing and put it in to the freezer as soon as possible.
- Do-** Defrost food in the fridge compartment.
- Don't-** Store bananas in your fridge compartment.
- Don't-** Store melon in your fridge. It can be chilled for short periods as long as it is wrapped to prevent it flavouring other food.
- Don't-** Cover the shelves with any protective materials which may obstruct air circulation.
- Don't-** Store poisonous or any dangerous substances in your appliance. It has been designed for the storage of edible foodstuffs only.
- Don't-** Consume food which has been refrigerated for an excessive length of time.
- Don't-** Store cooked and fresh food together in the same container. They should be packaged and stored separately.
- Don't-** Let defrosting food or food juices drip onto food.
- Don't-** Leave the door open for long periods, as this will make the appliance more costly to run and cause excessive ice formation.
- Don't-** Use sharp edged objects such as knives or forks to remove the ice.
- Don't-** Put hot food into the appliance. Let it cool down first.
- Don't-** Put liquid-filled bottles or sealed cans containing carbonated liquids into the freezer, as they may burst.
- Don't-** Exceed the maximum freezing loads when freezing fresh food.
- Don't-** Give children ice-cream and water ices direct from the freezer. The low temperature may cause 'freezer burns' on lips.
- Don't-** Freeze fizzy drinks.
- Don't-** Try to keep frozen food which has thawed; it should be eaten within 24 hours or cooked and refrozen.
- Don't-** Remove items from the freezer with wet hands.

Energy Consumption

Maximum frozen food storage volume is achieved without using the drawers provided in the freezer compartment. Energy consumption of your appliance is declared while the freezer compartment is fully loaded without using the drawers.

Practical advice concerning the reduction of the electricity consumption

1. Make sure that the appliance is located in well-ventilated areas, far from any source of heat (cooker, radiator etc.). At the same time, the location of the appliance must be done in such a way that it prevents it to be under the direct incidence of the sunbeams.
2. Make sure that the food purchased in refrigerated/frozen condition is placed into the appliance as soon as possible, especially during summertime. It is recommended to use thermal insulated bags to transport the food home.
3. We recommend the thawing of the packets taken out from the freezer compartment be done in the refrigerator compartment. For this purpose, the packet which is going to be thawed will be placed in a vessel so that the water resulting from the thawing does not leak in the refrigerator compartment. We recommend you to start the thawing at least 24 hours before the use of the frozen food.
4. We recommend reducing the number of door openings to the minimum.
5. Do not keep the door of the appliance open more than necessary and make sure that after each opening the door is well closed.

Information concerning the noise and the vibrations which might appear during the operation of the appliance

1. The operation noise can increase during the operation.
 - In order to keep the temperatures at the adjusted temperatures, the compressor of the appliance starts periodically. The noise produced by the compressor becomes stronger when it starts and a click can be heard when it stops.
 - The performance and operation features of the appliance can change according to the modifications of the temperature of the ambient environment. They must be considered as normal.
2. Noises like liquids flowing or as being sprayed
 - These noises are caused by the flow of the refrigerant in the circuit of the appliance and comply with the operation principle of the appliance.
3. Other vibrations and noises.
 - The level of noise and vibrations can be caused by the type and the aspect of the floor on which the appliance is placed. Make sure that the floor does not have significant level distortions or if it can yield to the weight of the appliance (it is flexible).
 - Another source of noise and vibrations is represented by the objects placed on the appliance. These objects must be removed from the appliance
 - The bottles and the vessels placed in the refrigerator touching each other. In such cases move the bottles and the vessels so that there is a small distance between them.

Troubleshooting


If the appliance does not operate when switched on, check;

- That the plug is inserted properly in the socket and that the power supply is on. (To check the power supply to the socket, plug in another appliance)
- Whether the fuse has blown/circuit breaker has tripped/main distribution switch has been turned off.
- That the temperature control has been set correctly.
- That the new plug is wired correctly, if you have changed the fitted, moulded plug.

If the appliance is still not operating at all after above checks, contact the dealer from whom you purchased the unit.

Please ensure that above checks have been done, as a charge will be made if no fault is found.



The symbol  on the product or on packaging indicates that this product may not be treated as household waste. Instead it shall be handed over to the applicable collection point for the recycling of electrical and electronic equipment. By ensuring this product is disposed of correctly, you will help prevent potential negative consequences for the environment and human health, which could otherwise be caused by inappropriate waste handling of this product. For more detailed information about recycling of this product, please contact your local city office, your household waste disposal service or the shop where you purchased the product.

Wir danken Ihnen , dass Sie sich für den Kauf eines **BEKO** Produkte entschieden haben. Ihr Gerät genügt hohen Ansprüchen und wurde für eine langjährige Benutzung entworfen.

Wichtige Hinweise für Ihre Sicherheit !

- Entfernen Sie das gesamte Verpackungsmaterial, bevor Sie das Gerät einschalten
- Nachdem Sie das Gerät aufgestellt haben, sollten Sie mit dem Anschliessen und Einschalten mindestens 4 Stunden warten, damit sich das Kältemittel im Kreislauf setzen kann.
- Schnapp-oder Riegelverschluss vom ausgedienten Gerät entfernen oder unbrauchbar machen, damit sich spielende Kinder nicht selbst im alten Gerät einschliessen können.
- Das Gerät ist nur für den Gebrauch im Haushalt bestimmt.
- Werfen Sie das Gerät nicht ins Feuer. Für das in dem Gerät verwendete Kühlmittel und die Gase in der Isolierung sind spezielle Entsorgungsverfahren vorgeschrieben .
Befolgen Sie die Müllverordnungen in Ihrer Region, um das Gerät sicher zu entsorgen.
- Nicht zu empfehlen ist die Verwendung des Gerätes in sehr kalten, unbeheizten Räumen (Garage, Keller, Lagerräume, usw.)

Damit Sie den größtmöglichen Nutzen aus Ihrem Gerät ziehen und es optimal und störungsfrei benutzen können, lesen Sie bitte die Bedienungsanleitung aufmerksam durch. Bewahren Sie sie für den Bedarfsfall sorgfältig auf. Die Nichtachtung dieser Hinweise können zu Sachschäden und zum Verlust der Garantie führen.

Originalersatzteile stehen für einen Zeitraum von 10 Jahren ab Kaufdatum zur Verfügung.

Dieses Gerät ist nicht dafür bestimmt durch Personen (einschließlich Kinder) mit eingeschränkten physischen, sensorischen oder geistigen Fähigkeiten oder mangels Erfahrung und/oder mangels Wissen benutzt zu werden, es sei denn, sie werden durch eine für ihre Sicherheit zuständige Person beaufsichtigt oder erhielten von ihr Anweisungen, wie das Gerät zu benutzen ist.

Elektrischer Anschluss

Bevor Sie das Gerät anschliessen, prüfen Sie unbedingt, ob die auf dem Typenschild angegebene Wechselspannung mit der Netzspannung übereinstimmt. Die elektrischen Anschlüsse müssen den gesetzlichen Vorschriften entsprechen. Schließen Sie das Gerät an eine leicht zugängliche Steckdose an.

Warnung !

Dieses Gerät muss richtig geerdet werden. Reparatur- und Wartungsarbeiten sollten nur von Fachkräften durchgeführt werden. Reparaturen, die von nicht qualifizierten Personen ausgeführt werden, sind eine Gefahrenquelle und können gefährliche Konsequenzen für den Benutzer des Gerätes haben.

Achtung!

Dieses Gerät verwendet das Kühlmittel R600a, ein Gas mit hoher Umweltverträglichkeit, das aber brennbar ist. Achten Sie beim Transportieren und Aufstellen des Geräts darauf, daß keine Teile des Kühlmittelkreislaufs beschädigt werden. Vermeiden Sie bei Beschädigungen offenes Feuer oder Zündquellen, und lüften Sie den Raum, in dem sich das Gerät befindet, mehrere Minuten lang.

Warnung !

Verwenden Sie zur Beschleunigung des Abtauprozesses keine mechanischen oder anderen Hilfsmittel als die vom Hersteller empfohlenen Mittel.

Warnung !

Achten Sie darauf, dass der Kühlmittelkreislauf nicht beschädigt wird.

Warnung !

Keine elektrische Geräte benutzen um den Abtauprozess zu beschleunigen. Verwenden Sie in der Kühl-Gefrier - Kombination keine anderen als die vom Hersteller empfohlenen elektrischen Geräte.

Warnung !

Wenn die Netzanschlussleitung dieses Gerätes beschädigt wird, muss sie durch den Hersteller oder seinen Kundendienst oder eine ähnlich qualifizierte Person ersetzt werden, um Gefährdungen zu vermeiden.

Transporthinweise

1. Während des Transports sollte das Gerät stets aufrecht stehend und in Originalverpackung transportiert werden.
2. Wurde das Gerät waagrecht transportiert, so muß es zur Beruhigung des Kältekreislaufes wenigstens 4 Stunden ruhig lassen, bevor der Inbetriebnahme.
3. Für Schäden infolge Nichtbeachtung haftet der Hersteller nicht.
4. Das Gerät muss vor Regen, Feuchtigkeit oder anderen Witterungsbedingungen geschützt werden

Wichtig !

- Greifen Sie nicht mit der Hand unter das Gerät während der Reinigung oder des Transportes. Sie könnten sich an scharfen Kanten oder an die Rohre auf der Geräterückseite verletzen.
- Setzen Sie sich nicht auf das Gerät. Sie könnten sich verletzen oder Beschädigungen am Gerät bewirken.
- Keine schweren Gegenstände bzw. das Gerät selbst auf das Netzkabel stellen. Das könnte zur Beschädigung des Netzkabels führen.
- Lassen Sie Kinder nicht mit dem Gerät spielen.

Aufstellen

1. Die Umgebungstemperatur hat eine Auswirkung auf den Energieverbrauch und die anwandfreie Funktion des Kühlgerätes. Bei der Standortwahl sollten Sie darauf achten, das Gerät in einem Raum mit einer konstanten Umgebungstemperatur in Betrieb zu setzen die seiner Klimaklasse entspricht, dh. + 10...+38° C. (50...100° F). Ein Raum mit schwankenden Temperaturen (insbesondere nachts oder im Winter unter 10° C) ist zu vermeiden.
2. Bei niedrigen Temperaturen ist es möglich, dass das Gerät nicht funktioniert. Das bewirkt eine Verminderung der Lagerungsdauer von Lebensmitteln, mindert unnötig den Nährwert und im schlechtesten Fall können Lebensmittel frühzeitig verderben. Vermeiden Sie direkte Sonneneinstrahlung, und stellen Sie das Gerät nie in der Nähe einer direkten Wärmequelle auf. (Heizkörper, Herd, Ofen). Die Mindestabstände zu solchen Geräten betragen:

zu Gasherden 300 mm

zu Heizkörper 300 mm

zu Gefriergeräten 25 mm

3. Halten Sie einen Raum um das Gerät, damit die Luft frei zirkulieren kann. **(Abb. 2)**

Lüftungsgitter auf der Geräterückseite einsetzen **(Abb. 3)**

4. Das Gerät muss auf einem festen, ebenen Untergrund stehen. Bodenunebenheiten durch Ein- oder Herausdrehen der beiden Stellfüßen vorne ausgleichen. Vermeiden Sie starke Geräusche durch richtige Ausrichtung **(Abb. 4)**.

5. Lesen Sie Kap. „Reinigung und Instandhaltung“ bevor der Inbetriebnahme.

Geräteübersicht

(Abb. 1)

- 1 - Thermostat und Beleuchtungsarmatur
- 2 - Höhenverstellbare Ablagen
- 3 - Flaschenhalter
- 4 - Tauwasserablauf
- 5 - Deckel für Gemüseschubladen
- 6 - Gemüseschublade
- 7 - Schnellgefrierabteil
- 8 - Eiswürfelschale
- 9 - Gefrierschublade zur Aufbewahrung von tiefgefrorenen Lebensmitteln
- 10 - Höhenverstellbare Füßen
- 11 - Gläserfach
- 12 - Eierbehälter
- 13 - Flaschenfach

Allgemeine

Einlagerungsempfehlungen

1. Im Kühlteil werden frische Lebensmittel und Getränke für kurze Zeit aufbewahrt
2. Im Gefrierfach sind im Handel erhältliche tiefgefrorene Produkte für einen langen Zeitraum aufzubewahren, und außerdem besteht die Möglichkeit frische Lebensmittel einzufrieren und zu lagern. Bei abgepackten Waren auf Haltbarkeits- bzw. Verbrauchsdatum achten und die angegebenen Lagerbedingungen unbedingt einhalten.
3. Bewahren Sie Milchprodukte im speziellen Türfach auf.
4. Gekochte Speisen in dicht schliessenden Gefäßen aufbewahren.
5. Frische Lebensmittel, gut verpackt, können auf den Ablagengittern aufbewahrt werden. Gemüse und Obst werden in den Gemüseschubladen aufbewahrt.

6. Bewahren Sie Flaschen im Türfach auf.

7. Frisches Fleisch, in Polyäthylenbeutel gut verpackt, kann nur für einige Tagen auf die unterste Ablage im Kühlabteil gelagert werden. Vermeiden Sie, dass das Fleisch in Berührung mit den gekochten Speisen kommt.

8. Decken Sie die Ablagegitter nicht mit Papier ab, damit die Luft zirkulieren kann.

9. Kein Pflanzöl im Türfach aufbewahren. Vergewissern Sie sich, daß die Lebensmittel gut verpackt bzw. abgedeckt sind, bevor Sie sie einlagern. Lassen Sie warme Lebensmittel und Getränke abkühlen, bevor Sie sie im Gerät einlagern.

Keine Konserven nach dem Öffnen im Kühlschrank aufbewahren.

10. Glasflaschen mit kohlenensäurehaltigen Sodawasser dürfen nicht im Gefrierabteil aufbewahrt werden.

11. Kälteempfindliche Gemüsearten (Paradeiser, Gurken) und Obst (Ananas, Wassermelonen) mit luftdichter Verpackung aufbewahren.

12. Hochprozentiger Alkohol darf nur aufrecht in fest versiegelten Behältern aufbewahrt werden. Lagern Sie im Kühlschrank keine flüchtigen, explosiven oder brennbaren Stoffe.

Temperaturregelung.

Einstellung der Temperatur

Mit den Thermostat kann die gewünschte Lagertemperatur eingestellt werden **(Abb. 5)**.

Wenn das Gerät die eingestellte Temperatur erreicht hat, schaltet sich der Thermostat automatisch aus, steigt die Temperatur wieder, so schaltet es sich wieder ein.

Stellung „5“ bedeutet die niedrigste Innentemperatur (kälteste Einstellung). Wird der Temperaturregler auf Stufe Mitte zwischen 1 und 5 eingestellt, so wird im Kühlbereich automatisch +5°C (+41°F) erreicht.

Im Kühlschrank gibt es kältere und wärmere Zonen (Gemüseschublade, oberes Teil des Kühlschranks). Jedes Lebensmittel sollte den richtigen Platz bekommen, damit es lange frisch bleibt.

Wir empfehlen, die Temperatur der Raumtemperatur, der Häufigkeit mit der der Kühlschrank geöffnet wird, sowie der Menge der eingelagerten Lebensmittel entsprechend einzustellen.

Die Temperatur im Kühlschrank regelmäßig an verschiedenen Stellen mit einem Thermometer messen. Vermeiden Sie unnötiges und zu langes Öffnen der Tür.

Bevor der Inbetriebnahme

Bevor der Inbetriebnahme prüfen Sie ob :

1. Die Stellfüßen vorne ausgeglichen wurden.
2. Der Innenraum gereinigt wurde und die Luft frei zirkulieren kann
3. Der Innenraum sauber ist (gem. den Empfehlungen im Kap. „Reinigung “)
4. Der Netzstecker richtig eingesteckt ist.

Achtung:

5. Immer wenn das Gerät einschaltet, werden Sie ein Summen hören, das von dem Kompressor des Kühlschranks erzeugt wird Geräusche werden auch vom Kühlmittel der Kühl-Gefrier-Kombination erzeugt. Diese sind normale Betriebsgeräusche.
6. Die leicht gewölbte Form des Kühlschranks, fabrikationsbedingt, ist kein Defekt.
7. Um den korrekten Betrieb des Geräts zu erhalten, den Thermostat auf eine mittlere Position einstellen.
8. Sie können Lebensmittel in das Gerät einräumen, wenn eine geeignete Kühltemperatur erreicht ist. Prüfen Sie die Temperatur im Kühlabteil mit einem Thermometer.

Lagern von tiefgefrorenen Lebensmitteln

Im Gefrierschrank sind im Handel erhältliche tiefgefrorene Produkte für einen langen Zeitraum aufzubewahren.

Sollte der Strom ausfallen, öffnen Sie die Tür nicht. Falls die Unterbrechung nicht mehr als 16 Stunden dauert, werden die Lebensmittel im Gefrierfach nicht beeinträchtigt.

Einmal aufgetaute oder angetaute Produkte sollten sobald wie möglich verzehrt werden und nicht wieder einfrieren, außer sie werden zu einem Fertiggericht weiter verarbeitet.

Einfrieren von frischen Lebensmitteln

Einige Regeln sollten beachtet werden, um Qualitätsverluste zu vermeiden und die Erhaltung von Konsistenz, Geschmack, Nährwert, Vitamineninhalt und Aussehen der Tiefkühlkost zu garantieren:

Frieren Sie nie eine zu große Menge frische Ware auf einmal ein, sonst kann die Ware nicht schnell genug bis zum Kern durchgefroren werden und so können, nach dem Auftauen, Qualität- und Geschmacksverluste auftreten.

Das Gefriervermögen des Gerätes nicht zu überschreiten.

Möglichst schnell einfrieren!

Die einzulegenden Lebensmittel nicht mit den bereits im Fach befindlichen in Berührung zu kommen.

Lassen Sie warme Lebensmittel abkühlen, bevor Sie sie im Gerät einlagern.

Abtauen des Gerätes

A) Kühlabteil

Das Abtauen erfolgt vollautomatisch während der Kompressor von dem Thermostat unterbrochen wird. Keine Eingriffe sind erforderlich.

Das Abtauwasser läuft durch den Tauwasserablauf in die Auffangschale auf dem Kompressor und verdunstet dort durch die Wärme des Kompressors. **(Abb. 6).**

Das Auftreten von Wassertropfen auf der inneren Rückwand des Kühlraums zeigt die automatische Abtauphase an. Nach dem Abtauen sind Reif- bzw. Eisschichtflecken auf der Rückseite des Kühlschranks nicht unüblich. Verwenden Sie keine spitzen Gegenstände wie Messer oder Gabeln, um diese zu entfernen. Die Abflußöffnung regelmäßig mit einem Reinigungsstäbchen reinigen, damit das Tauwasser stetig und zügig abfließen kann.

Halten Sie die Auffangrinne und die Ablauföffnung sauber. Ist diese verstopft, dann lassen sich die Verschmutzungen mit dem gelieferten Werkstück beseitigen **(Abb. 7).**

B) Gefrierteil

Durch den eingebauten Tauwassersammelbehälter gestaltet sich das Abtauen sehr einfach und unkompliziert.

Sie sollten etwa zweimal pro Jahr abtauen, bzw. wenn sich eine Eisschicht von etwa 7 mm (1/4") Stärke gebildet hat. Schalten Sie zum Abtauen das Gerät ggf. an der Steckdose ab und ziehen Sie den Netzstecker. Wickeln Sie die Lebensmittel in mehrere Lagen Zeitungspapier und verstauen Sie dann alles an einem kühlen Ort (z.B. Kühlschrank oder Speisekammer).

Um das Abtauen zu beschleunigen, können Sie vorsichtig Behälter mit warmem Wasser in das Gefrierabteil stellen.

Verwenden Sie zum Entfernen des Eises niemals einen spitzen oder scharfen Gegenstand, wie etwa ein Messer oder eine Gabel.

Verwenden Sie zum Abtauen niemals einen Haartrockner, ein elektrisches Heizgerät oder ähnliche Elektroapparate.

Wischen Sie das Tauwasser auf, das sich am Boden des Gefrierabteils angesammelt hat, und trocknen Sie den Innenraum nach dem Abtauen gründlich ab (**Abb. 8 & 9**).

Verbinden Sie den Netzstecker mit der Steckdose und schalten Sie den Strom wieder an.

Wechseln des türanschlags

Befolgen Sie nacheinander die einzelnen Schritte entsprechend der Numerierung (**Abb. 10**).

Wechsel der Glühlampe

Die Innenbeleuchtung Ihres Kühlschranks sollte ausschließlich vom autorisierten Kundendienst ausgetauscht werden.

Die Glühbirnen für dieses Haushaltsgerät sind für Beleuchtungszwecke nicht geeignet. Die beabsichtigte Aufgabe dieser Lampe ist es den Benutzer zu ermöglichen die Platzierung der Lebensmittel in den Kühlschrank / Eiskühltruhe sicher und bequem vorzunehmen.

Die in diesem Gerät verwendeten Lampen müssen extremen physikalischen Bedingungen, wie z. B. Temperaturen von - 20°C, standhalten.

Reinigung und Pflege

1. Vor der Reinigung empfiehlt es sich, das Gerät ggf. an der Steckdose abzuschalten und den Netzstecker zu ziehen.

2. Verwenden Sie zum Reinigen weder scharfe Gegenstände noch Scheuermittel, Seife, Haushaltsreiniger, andere Putzmittel oder Wachspolitur.

3. Reinigen Sie den Innenraum des Geräts mit lauwarmem Wasser und reiben Sie ihn dann trocken.

4. Befeuchten Sie zum Reinigen ein Tuch in einer Lösung aus einem Teelöffel Natriumbikarbonat (doppeltkohlen-saures Natron) und einem halben Liter Wasser, und wischen Sie den Innenraum damit aus.

5. Achten Sie darauf, daß kein Wasser in die Thermostateinheit gelangt.

6. Wenn das Gerät für eine längere Zeit nicht verwendet werden soll, dann schalten Sie es ab, nehmen Sie sämtliche Lebensmittel heraus, reinigen Sie es, und lassen Sie die Tür leicht geöffnet.

7. Zum Polieren der Metallteile des Geräts (d.h. die Türaußenseite und die seitlichen Außenwände) empfehlen wir die Verwendung eines Wachses auf Silikonbasis (Autopolitur). Auf diese Weise wird die hochwertige Außenlackierung geschützt.

8. Staub, der sich auf dem Kondensator hinter dem Gerät ansammelt, sollte einmal pro Jahr mit einem Staubsauger entfernt werden.

9. Überprüfen Sie die Türdichtung regelmäßig auf Sauberkeit und achten Sie darauf, daß sich keine Reste von Lebensmitteln o.ä. darauf befinden.

10. Vermeiden Sie es in jedem Fall,

- das Gerät mit ungeeigneten Substanzen zu reinigen, wie etwa mit benzinhaltigen Mitteln,
- es allzu hohen Temperaturen auszusetzen,
- es mit scheuernden Substanzen zu putzen, abzureiben o.ä.

11. Ausbau des Deckels des Milchproduktfachs und der Türablage:

- Zum Ausbau den Deckel zunächst 2-3 cm anheben und dann an der Seite abziehen, an der sich im Deckel eine Öffnung befindet.
- Um eine Türablage zu entfernen, zunächst den gesamten Inhalt der Ablage entfernen und dann einfach vom Boden her nach oben drücken.

12. Achten Sie darauf, daß die Plastikscha-le an der Rückseite des Geräts, die zum Sammeln von Tauwasser dient, immer sauber bleibt. Wenn Sie die Schale zum Reinigen ausbauen wollen, dann gehen Sie wie folgt vor:

- Das Gerät ggf. an der Steckdose abschalten und den Netzstecker ziehen.
- Den Stift am Kompressor vorsichtig mit einer Zange zurückbiegen, so daß die Schale freiliegt.
- Die Schale abnehmen.
- Die Schale reinigen und trockenreiben.

•Zum Wiedereinbauen die gleichen Schritte in umgekehrter Reihenfolge ausführen.

13. Stärkere Eisablagerungen sollten regelmäßig mittels ein Eisschabers aus Plastik entfernt werden. Massive Eisablagerungen vermindern die Kühlleistung Ihres Geräts.

Was Sie tun sollten und was auf keinen fall-einige Hinweise

Richtig: Das Gerät regelmäßig reinigen und abtauen (siehe Abschnitt „Abtauen“).

Richtig: Rohes Fleisch und Geflügel tiefer lagern als gekochte Speisen und Molkereiprodukte.

Richtig: Bei Gemüse alles unbrauchbare Blattwerk entfernen und etwaigen Schmutz abwischen.

Richtig: Blattsalat, Kohl, Petersilie und Blumenkohl am Stiel belassen.

Richtig: Käse fest in Butterbrotpapier und dann in einen Beutel aus Polyethylen wickeln, und die Luft soweit als möglich herausdrücken. Käse schmeckt am besten, wenn er eine Stunde vor dem Verzehr aus dem Kühlabteil genommen wird.

Richtig: Rohes Fleisch und Geflügel nicht zu fest in Polyethylen- oder Aluminiumfolie einwickeln, um ein Austrocknen zu verhindern.

Richtig: Fisch und Innereien in Polyethylenbeutel wickeln.

Richtig: Lebensmittel, die einen starken Geruch haben oder nicht austrocknen sollen, in Polyethylenbeutel oder Aluminiumfolie wickeln oder in luftdichten Behältern lagern.

Richtig: Brot gut einwickeln, damit es frisch bleibt.

Richtig: Weißwein, Bier und Mineralwasser vor dem Servieren gut kühlen.

Richtig: Von Zeit zu Zeit den Inhalt des Gefrierabteils überprüfen.

Richtig: Lebensmittel so kurz wie möglich aufbewahren und die Angaben „Mindestens haltbar bis:“ bzw.

Richtig: Handelsübliche Tiefkühlware entsprechend der Hinweise auf der jeweiligen Verkaufsverpackung lagern.

Richtig: Zum Einfrieren nur frische Lebensmittel bester Qualität verwenden und diese vorher gründlich säubern.

Richtig: Einzufrierende Lebensmittel vorher in kleine Portionen zerlegen, damit sie rasch durchfrieren.

Richtig: Lebensmittel zum Einfrieren in Aluminiumfolie oder Gefrierbeutel aus einwandfreiem Polyethylen packen und darauf achten, daß die Luft vollständig herausgedrückt wurde.

Richtig: Tiefkühlware gleich nach dem Einkaufen einwickeln und sobald als möglich in das Gefrierabteil legen.

Richtig: Tiefkühlware zum Auftauen ins Kühlabteil legen.

Falsch: Bananen im Kühlabteil lagern.

Falsch: Melonen im Kühlabteil lagern. - Melonen können allerdings für kurze Zeit gekühlt werden, solange sie eingewickelt werden, so daß sich ihr Aroma nicht auf andere Lebensmittel überträgt.

Falsch: Die Ablagen mit einem schonenden Material bedecken. - Dies würde die Kaltluftzirkulation behindern.

Falsch: Gifte oder Gefahrenstoffe im Gerät lagern. - Das Gerät ist ausschließlich für die Lagerung von Lebensmitteln bestimmt.

Falsch: Lebensmittel verzehren, die zu lange im Gerät gelagert wurden.

Falsch: Gekochte Speisen und frische Lebensmittel zusammen in einen Behälter tun. - Beides sollte getrennt verpackt und gelagert werden.

Falsch: Beim Auftauen Wasser oder Flüssigkeit von Lebensmitteln auf andere Lebensmittel tropfen lassen.

Falsch: Die Tür längere Zeit offenstehen lassen. - Hierdurch wird der Betrieb des Geräts teurer, und die Eisbildung verstärkt sich.

Falsch: Zum Entfernen des Eises spitze oder scharfe Gegenstände verwenden, wie etwa ein Messer oder eine Gabel.

Falsch: Warme Speisen ins Gerät stellen. - Besser zuerst abkühlen lassen.

Falsch: Mit Flüssigkeit gefüllte Flaschen oder ungeöffnete Konserven mit kohlenensäurehaltigen Getränken in das Gefrierabteil stellen. - Diese können zerplatzen.

Falsch: Beim Einfrieren frischer Lebensmittel das maximale Gefriervermögen überschreiten.

Falsch: Kindern Speiseeis oder Eissorbets unmittelbar nach dem Herausnehmen aus dem Gefrierabteil geben. - Die sehr niedrige Temperatur kann zu 'kalten Verbrennungen' an den Lippen führen.

Falsch: Kohlensäurehaltige Getränke einfrieren.

Falsch: Aufgetaute Tiefkühlware weiter aufbewahren. - Statt dessen innerhalb von 24 Stunden verzehren oder kochen und wieder einfrieren.

Falsch: Mit feuchten Händen etwas aus dem Gefrierabteil herausnehmen.

Energieverbrauch

Das maximale TK-Stauvolumen wird ohne Schubladen im Tiefkühlfach erreicht. Der Energieverbrauch Ihres Gerätes wurde bei komplett gefülltem Tiefkühlfach ohne Schubladen ermittelt.

Praktische Tipps zum Energiesparen

1. Sorgen Sie dafür, dass das Gerät an einer gut belüfteten Stelle und nicht in der Nähe von Wärmequellen (Herd, Heizung, usw.) aufgestellt wird. Achten Sie gleichzeitig darauf, dass das Gerät nicht im prallen Sonnenlicht steht.

2. Sorgen Sie dafür, dass gekühlte oder gefrorene Speisen so schnell wie möglich in das Gerät gegeben werden; dies gilt natürlich insbesondere im Sommer. Wir empfehlen, Kühltaschen zum Transport von Lebensmitteln zu verwenden.

3. Geben Sie Speisen zum Auftauen in den Kühlbereich. Vergessen Sie nicht, die Speisen in einen Behälter zu geben, damit kein Tauwasser in den Kühlbereich ausläuft. Beginnen Sie mindestens 24 Stunden im Voraus mit dem Auftauen.

4. Versuchen Sie, die Tür so selten wie möglich zu öffnen.

5. Öffnen Sie die Tür des Gerätes nicht unnötig, achten Sie darauf, dass die Tür anschließend wieder richtig geschlossen wird.

Hinweise zu Geräuschen und Vibrationen, die im Betrieb auftreten können

1. Das Betriebsgeräusch kann im laufenden Betrieb zunehmen.

- Um die vorgegebenen Temperaturen zu halten, springt der Kompressor des Gerätes von Zeit zu Zeit an. Das Betriebsgeräusch kann bei laufendem Kompressor zunehmen, beim Anhalten des Kompressors kann ein Klicken zu hören sein.

- Die Leistung des Gerätes kann sich je nach Temperatureinstellung und unmittelbarer Umgebung ändern. Dies muss als normal betrachtet werden.

2. Geräusche wie fließende Flüssigkeiten oder Spritzer

- Diese Geräusche werden durch den Durchfluss des Kühlmittels im Gerät verursacht; dies ist in Anbetracht der Funktionsweise des Gerätes völlig normal.

3. Sonstige Vibrationen und Geräusche.

- Geräusche und Vibrationen können je nach Typ und Neigung des Untergrundes, auf dem das Gerät aufgestellt wurde, stärker oder schwächer ausfallen. Achten Sie darauf, dass der Boden möglichst eben ist und das Gewicht des Gerätes mühelos tragen kann.

- Weitere Geräusche und Vibrationen können durch auf dem Gerät abgestellte Gegenstände verursacht werden. Nehmen Sie solche Gegenstände vom Gerät herunter.

- Im Gerät gelagerte Flaschen oder andere Behälter berühren einander. Ordnen Sie Flaschen und Behälter so an, dass sich diese nicht berühren können.

Massnahmen bei Betriebsstörungen

Wenn das Gerät nach dem Einschalten nicht funktionieren sollte, dann prüfen Sie, ob

- der Netzstecker richtig in der Steckdose steckt, und daß der Strom angeschaltet ist (zum Prüfen der Stromversorgung können Sie ein anderes Gerät an die Steckdose anschließen);
- ob evtl. die Sicherung durchgebrannt ist / der Sicherungsautomat ausgelöst wurde oder der Hauptschalter auf Aus steht;
- ob der Temperaturwahlschalter richtig eingestellt wurde;
- (falls der angegossene Stecker ersetzt wurde) ob der neu angebrachter Stecker richtig verdrahtet wurde.

Sollte das Gerät nach dieser Überprüfung immer noch nicht funktionieren, dann setzen Sie sich bitte mit dem Händler in Verbindung, bei dem Sie das Gerät erworben haben. Denken bitte Sie daran, daß eine Gebühr fällig wird, wenn am Gerät kein Fehler gefunden werden sollte; prüfen Sie das Gerät daher auf jeden Fall wie oben beschrieben.



Bedeutung des Symbols „Mülltonne“

Schonen Sie unsere Umwelt, Elektrogeräte gehören nicht in den Hausmüll.

Nutzen Sie die für die Entsorgung von Elektrogeräten vorgesehenen Sammelstellen und geben dort Ihre Elektrogeräte ab die Sie nicht mehr benutzen werden.

Sie helfen damit die potenziellen Auswirkungen, durch falsche Entsorgung, auf die Umwelt und die menschliche Gesundheit zu vermeiden.

Sie leisten damit Ihren Beitrag zur Wiederverwertung, zum Recycling und zu anderen Formen der Verwertung von Elektro- und Elektronik-Altgeräten.

Informationen, wo die Geräte zu entsorgen sind, erhalten Sie über Ihre Kommunen oder die Gemeindeverwaltungen.

In vielen Ländern der EU ist die Entsorgung von Elektro- und Elektronik-Altgeräten über den Haus- und/oder Restmüll ab 13.8.2005 verboten.

In Deutschland ab 23.3.2006.

Félicitations pour avoir choisi un appareil **BEKO**, fabriqué dans des usines modernes.

Premièrement la sécurité!

- Ne pas connecter votre appareil au réseau électrique avant d'avoir enlevé tout l'emballage ou pièce de protection pour le transport
- Laissez l'appareil rester pendant au moins 4 heures avant de le mettre en fonction, pour permettre la stabilisation de l'huile du compresseur, si l'appareil a été transporté horizontalement.
- Si vous recyclez un vieil appareil ayant un verrou attaché dans la porte, assurez-vous qu'il ai été laissé en bonne condition pour prévenir l'entrée des enfants.
- L'appareil doit être utilisé exclusivement dans le but pour lequel il a été fabriqué.
- Ne pas jeter l'appareil au feu. Votre appareil contient des substances sans CFC dans l'isolation , qui sont inflammables. Nous vous suggérons de contacter votre autorité locale pour recevoir des informations concernant le recyclage et les centres recommandés.
- Nous ne recommandons pas l'utilisation de l'appareil dans un espace non chauffé, froid. (ex: garage, annexe, etc.)
- Pour obtenir un fonctionnement meilleur et irréprochable de votre appareil il est très important de lire attentivement ces instructions. Si vous ne respectez pas ces instructions votre droit de recevoir service gratuit sera annulé.
- Nous vous prions de garder ces instructions dans une place sûre pour référence rapide.

Les pièces détachées d'origine sont disponibles pendant 10 ans, à compter de la date d'achat du produit.

Cet appareil ne sera pas utilisé par des personnes ayant capacités physiques, sensorielles ou mentales réduites, ou sans expérience concernant l'utilisation de l'appareil, si une personne responsable de leur sécurité ne les a pas instruites pour ce but. Les enfants doivent être surveillés pour avoir la certitude qu'ils ne jouent pas avec l'appareil.

Avertissements et conseils importants

Il est très important que cette notice d'utilisation soit gardée avec l'appareil pour toute future consultation. Si cet appareil devait être vendu ou transféré à une autre personne, assurez-vous que la notice suive l'appareil de façon à ce que le nouvel utilisateur puisse être informé du fonctionnement de celui-ci et des avertissements relatifs. Ces avertissements sont donnés pour votre sûreté et pour celle d'autrui. Nous vous prions donc de bien vouloir les lire attentivement avant d'installer et d'utiliser votre réfrigérateur.

Sûreté

- ◆ Cet appareil a été conçu pour être utilisé par des adultes. Veillez donc à ce que les enfants n'y touchent pas ou qu'ils l'utilisent comme un jouet.
- ◆ Débranchez toujours la prise de courant avant de procéder au nettoyage intérieur et au remplacement de la lampe d'éclairage.
- ◆ Cet appareil est lourd; faites attention lors d'un déplacement.
- ◆ Si le cordon d'alimentation est endommagé, celui-ci doit être remplacé par le fabricant, ses agents agréés ou tout autre agent qualifié afin d'être à l'abri de tout danger.

Service / réparation

- ◆ Il est dangereux de modifier ou d'essayer de modifier les caractéristiques de cet appareil.
- ◆ En cas de panne, n'essayez pas de réparer l'appareil vous-même. Les réparations effectuées par du personnel non qualifié peuvent provoquer des dommages. Contactez le service après vente de votre revendeur et exigez des pièces détachées d'origine.

Utilisation

- ◆ Les réfrigérateurs ménagers sont destinés uniquement à la conservation des aliments et des boissons.

Installation

- ◆ Assurez-vous qu'après avoir installé l'appareil, celui-ci ne repose pas sur le câble d'alimentation.

L'appareil chauffe sensiblement au niveau du condenseur et du compresseur. Veillez à ce que l'air circule librement autour de l'appareil.

- ◆ Une ventilation insuffisante entraînerait un mauvais fonctionnement et une augmentation de la consommation d'électricité.
- ◆ Si l'appareil a été transporté couché, il est recommandé d'attendre environ 4 heures avant de le brancher.

Installation

Si cet appareil, muni d'une fermeture magnétique, doit être employé pour en remplacer une autre muni d'une fermeture à ressort, nous vous conseillons de rendre cette dernière inutilisable avant de mettre l'ancien appareil au rebut. Cela dans le but d'éviter que des enfants puissent s'y enfermer et mettre ainsi leur vie en danger.

Emplacement

- ◆ Placez de préférence votre appareil loin d'une source de chaleur (chauffage, cuisson, rayons solaires trop intenses). Pour le bon fonctionnement de votre appareil, la température ambiante du local doit être comprise entre +10° et +38°C (classe SN-ST). En dehors de ces limites, l'appareil ne fonctionne plus normalement.
- ◆ Veillez à la bonne circulation de l'air à l'arrière de l'appareil. Pour un meilleur rendement de celui-ci, la distance minimale entre le partie supérieure de l'appareil et un éventuel élément de cuisine doit être au moins de 100 mm (**Fig. 2**).
- ◆ Montez les deux entretoises arrière livrés séparément (**Fig. 3**).
- ◆ Mettez l'appareil de niveau en agissant sur les pieds réglables (**Fig. 4**).

Branchement au réseau

Votre appareil est prévu pour fonctionner sous une tension de 220-240 volts monophasée. Il doit être raccordé à une prise murale munie d'un contact de terre. Le fabricant décline toute responsabilité si cette prévention contre les accidents n'est pas respectée.

Présentation de l'appareil (Fig. 1)

- 1 - Thermostat et logement de la lampe
- 2 - Clayettes réglables
- 3 - Porte-bouteille
- 4 - Récupérateur d'eau
- 5 - Couvercle du bac à légumes
- 6 - Bac à légumes
- 7 - Compartiment de congélation rapide
- 8 - Bac à glaçons
- 9 - Compartiment de conservation des denrées surgelées
- 10 - Pied ajustable
- 11 - Balconnet à bœufs
- 12 - Casier à oeufs
- 13 - Balconnet range-bouteilles

Réversibilité de la porte

(Fig. 10)

Procédez suivant l'ordre numérique

Mise en fonctionnement

L'appareil étant convenablement installé, nous vous conseillons de nettoyer l'intérieur avec de l'eau tiède légèrement savonneuse (produit à vaisselle). N'utilisez ni produit abrasif, ni poudre à récurer qui risqueraient d'endommager les finitions.

Entreposage des produits à conserver

Une conservation et une hygiène optimales sont obtenues dans les conditions suivantes :

- ◆ Les denrées à conserver dans le réfrigérateur doivent être fraîches et refroidies à la température ambiante. Elles doivent être emballées dans des récipients hermétiques (boîtes, sachets en polyéthylène, feuille d'aluminium alimentaire) pour qu'elles ne s'impregnent ni ne dégagent d'odeur ou d'humidité.
- ◆ Les produits lactés (œufs, beurre...) sont conservés dans l'étagère supérieure de porte.
- ◆ Les aliments préparés sont conservés sur les clayettes, les fruits et légumes verts dans le bac à légumes. Les bananes ne doivent pas être conservées dans un réfrigérateur.
- ◆ Les viandes crues, poissons et charcuterie doivent être conservés sur les clayettes inférieures (zone la plus froide).

Disposer les aliments de telle sorte que l'air puisse circuler librement tout autour. Ne couvrez pas les clayettes de papier ou d'un plateau.

Réglage de la température

La température intérieure est réglée par le thermostat (Fig. 5).

Les températures obtenues à l'intérieur de l'armoire peuvent varier en fonction des conditions d'utilisation: emplacement, température ambiante, fréquence de l'ouverture des portes, quantité de denrées à l'intérieur.

En général, pour une température ambiante de +25°C, la manette du thermostat sera placée sur une position moyenne. Le thermostat assure aussi le dégivrage automatique de la partie réfrigérateur.

Évitez un réglage qui pourrait provoquer une marche continue: la température intérieure pourrait baisser en dessous de 0°C d'où un risque de prise en glace des boissons et une formation excessive de givre sur les parois ainsi qu'une augmentation de la consommation d'électricité.

Changement de l'ampoule

Pour remplacer la lampe LED du réfrigérateur, veuillez contacter le service après-vente agréé.

La lampe (s) utilisée dans cet appareil ne convient pas pour l'éclairage de la cuisine. Le but visé par cette lampe est d'aider à l'utilisateur de placer les aliments dans le réfrigérateur / congélateur d'une manière sûre et confortable. Les voyants utilisés dans cet appareil doivent résister aux conditions physiques extrêmes telles que des températures inférieures à -20°C.

Congélation des produits frais

- ◆ Congelez exclusivement des produits de première qualité après les avoir nettoyés et préparés si nécessaire.
- ◆ Laissez les plats cuisinés refroidir à la température ambiante avant de les introduire dans le congélateur.
- ◆ Tous les produits à congeler devront être emballés dans des sachets de polyéthylène, des barquettes d'aluminium « spécial congélation », des boîtes en plastique. Ces emballages doivent être hermétiques.
- ◆ Chaque paquet doit être proportionné à l'importance de la consommation familiale de manière à être utilisés en une seule fois. Des paquets de petites dimensions permettent d'obtenir une congélation rapide et uniforme.
- ◆ Ne pas congeler en une seule fois une quantité de produit supérieure à la capacité de congélation de l'appareil indiquée sur la plaque signalétique.
- ◆ Un produit décongelé ne doit jamais être recongelé.
- ◆ Ne pas placer dans le congélateur des bouteilles ou boîtes de boissons gazeuses, elles pourraient éclater.
- ◆ Ne consommez pas les bâtonnets glacés dès leur sortie du congélateur pour éviter les brûlures dues au froid.

Pour congeler des produits frais:

Ne congelez pas en une seule fois plus que la capacité de congélation indiquée sur la plaque signalétique (3 kg/24h) 24 heures avant d'introduire des aliments frais dans le congélateur placez le bouton du thermostat sur une position plus froide sans pour autant que la température intérieure du réfrigérateur descende en dessous de 0°C.

Disposez les paquets à congeler dans le compartiment supérieur.

N'ouvrez pas la porte du congélateur pendant l'opération de congélation

Laissez l'appareil en régime de congélation pendant 24 heures, puis, au bout de ce laps de temps, remplacez le bouton du thermostat en position moyenne. Mettez les produits congelés dans les tiroirs inférieurs.

Conservation des produits congelés

♦ Les produits congelés peuvent être rangés à n'importe quel emplacement de la partie congélateur. Nous vous conseillons cependant de les placer dans les tiroirs inférieurs, si possible, afin de laisser libres l'espace pour la congélation.

♦ Quand vous achetez un produit surgelé, assurez-vous que l'emballage est intact, qu'il ne présente aucune trace d'humidité, qu'il n'est pas gonflé, ce qui serait le signe d'un début de décongélation.

♦ Respectez la durée de conservation indiquée par le fabricant des produits surgelés.

♦ Evitez d'ouvrir trop souvent la porte et ne la laisser ouverte que le temps nécessaire. Une augmentation de la température peut réduire la durée de conservation des aliments.

♦ Après avoir refermé la porte, attendez environ 30 secondes avant de tenter de l'ouvrir à nouveau, le temps que la dépression créée par le froid s'atténue.

Production des cubes de glace

Remplissez le bac à cubes de glace à trois quarts et mettez-la dans le congélateur. Les cubes de glace se détachent plus simplement si vous passez le bac pour quelques secondes sous un jet d'eau froide.

Décongélation

Les viandes, volailles et poissons doivent être décongelés dans le réfrigérateur pour éviter le développement de bactéries.

Les autres produits peuvent être décongelés à l'air ambiant.

Les petites portions peuvent être cuisinées dès leur sortie du congélateur. Beaucoup de plats prêts à cuire peuvent être également cuisinés sans décongélation préalable.

Conformez-vous toujours aux préconisations figurant sur l'emballage.

Le pain et les pâtisseries peuvent être décongelés à four chaud.

Les fours à micro-ondes peuvent être utilisés pour décongeler la plupart des aliments.

Respectez les conseils figurant dans la notice de ces fours.

En cas de coupure de courant, si l'arrêt de fonctionnement ne dépasse pas 16 heures, il n'y a aucun risque d'altération des aliments congelés. Abstenez-vous cependant d'ouvrir la porte (le temps de remontée en température peut sensiblement être diminué si l'appareil est peu chargé). Dès que vous constatez un début de décongélation, les aliments doivent être consommés le plus rapidement possible.

Ne jamais recongeler un aliment un a été décongelé.

Dégivrage**a) partie réfrigérateur**

Le dégivrage de votre réfrigérateur est entièrement automatique et se produit à chaque arrêt du compresseur. Aucune intervention de votre part n'est nécessaire. Pendant le fonctionnement on constate l'apparition de gouttes de condensation ou de glace sur la paroi arrière. Elles seront éliminées pendant le dégivrage automatique. L'eau produite s'écoulera par le trou d'évacuation (**Fig. 6**) elle sera collectée dans le bac situé sur le compresseur d'où elle s'évaporerait.

Important:

Gardez propre le collecteur et le tube d'écoulement de l'eau de dégivrage. Pour cela, utilisez la pièce de défonçage livrée avec l'appareil. Veillez à ce que le tube soit tout le temps avec l'extrémité dans l'intérieur du bac collecteur situé sur le motocompresseur pour prévenir l'écoulement de l'eau sur l'installation électrique ou sur le plancher (**Fig. 7**).

b) partie congélateur

La formation de givre à l'intérieur de l'appareil ne peut être évitée. Le givre se forme quand l'humidité contenue dans l'air vient en contact avec les surfaces froides du congélateur. C'est pourquoi la porte ne doit être ouverte qu'en cas de nécessité. Une mince couche de givre ne nuit pas au fonctionnement de l'appareil.

Quand la couche de givre atteint une dizaine de millimètres, il faut procéder au dégivrage complet. Nous vous conseillons de faire cette opération quand l'appareil est peu chargé.

- ♦ Avant le dégivrage, si l'appareil n'est pas vide, mettez le bouton du thermostat sur une position plus froide pour que les produits soient portés à très basse température.
 - ♦ Débranchez l'appareil.
 - ♦ Sortez les produits congelés et conservez-les dans un endroit frais en les enveloppant dans plusieurs feuilles de papier journal ou mieux dans des emballages isothermes (sacs isothermes, feuilles de plastique à bulles...).
 - ♦ Laissez la porte ouverte.
- N'employer en aucun cas des objets tranchants pour gratter le givre ni d'appareils électriques chauffants (seche-cheveux, radiateurs).*
- ♦ Après la fonte du givre, essuyez et séchez soigneusement l'armoire.

Nettoyage

Avant toute opération de nettoyage, prenez la précaution de débrancher l'appareil.

Nettoyage intérieur:

Il est recommandé de nettoyer le réfrigérateur très régulièrement.

- Retirez tous les accessoires (clayettes, balconnets, bac à légumes...). Lavez-les à l'eau tiède additionnée d'un détergent doux (produit utilisé pour la vaisselle par exemple) ; rincez à l'eau javellisée et séchez soigneusement.
- Lavez les parois intérieures. Soignez les supports de clayettes.
- Lavez le joint de porte sans omettre de nettoyer également sous le joint.

(Fig. 8 et 9).

Nettoyage extérieur:

Lavez l'ensemble de la carrosserie à l'eau tiède légèrement savonneuse. Rincez et séchez.

De temps en temps, dépoussiérez le condenseur avec une brosse douce ou un aspirateur.

Arrêt prolongé

Lorsque l'appareil doit rester à l'arrêt pendant un certain temps: débranchez la prise de courant; videz l'appareil; nettoyez-le à fond; laissez la porte entrouverte pour éviter l'apparition de mauvaises odeurs.

Consommation énergétique

Vous pouvez conserver le maximum d'aliments congelés sans recourir aux étagères centrales et supérieures du compartiment du congélateur. La consommation énergétique de votre appareil est enclenchée alors que le compartiment du congélateur est entièrement chargé sans utiliser les étagères.

Conseil pratique concernant la réduction de la consommation électrique

1. Veillez à ce que l'appareil se trouve dans un espace bien aéré, loin d'une éventuelle source de chaleur (cuisinière, radiateur, etc.). Parallèlement, le choix de l'emplacement de l'appareil doit se faire de façon à éviter qu'il se trouve exposé aux rayons directs du soleil.
2. Veillez à ce que les aliments déjà réfrigérés/congelés au moment de leur achat soient introduites dans l'appareil le plus tôt possible, surtout pendant l'été. Nous vous conseillons d'utiliser des sacs à isolation thermique pour conserver vos aliments d'un réfrigérateur/congélateur à un autre.
3. Nous vous recommandons également de veiller à ce que le dégivrage des emballages sortis du compartiment congélateur se fasse dans le compartiment réfrigérateur. Pour cela, l'emballage à dégivrer sera introduit dans un récipient de sorte que l'eau issue du dégivrage ne connaisse pas de fuite dans le compartiment réfrigérateur. Nous vous conseillons de commencer le processus de dégivrage 24 heures au moins avant l'utilisation de l'aliment congelé.
4. Nous vous recommandons d'ouvrir la porte de la machine le moins de fois possible.
5. Évitez de laisser inutilement la porte de l'appareil ouverte et veillez à ce que celle-ci soit bien fermée après chaque ouverture.

Informations concernant les bruits et les vibrations susceptibles de se produire pendant le fonctionnement de l'appareil

1. Les bruits peuvent augmenter pendant le fonctionnement de l'appareil.

- Afin de maintenir les températures au niveau de la valeur réglée, le compresseur de l'appareil démarre de manière périodique. Les bruits émis par le compresseur deviennent plus importants lorsqu'ils commencent et un clic se fait entendre au moment où ils s'arrêtent.
- Les fonctions de performance et de fonctionnement de l'appareil peuvent varier en fonction des modifications de la température et de l'environnement ambiant. Ces phénomènes sont tout à fait normaux.

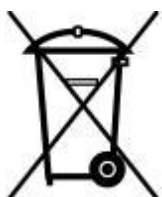
2. Bruits semblables à ceux d'un écoulement ou d'une vaporisation de liquide

- Ces bruits sont provoqués par l'écoulement du réfrigérant à l'intérieur du circuit de l'appareil et sont en conformité avec le principe de fonctionnement de l'appareil.

3. Autres vibrations et bruits.

- Le niveau de bruits et de vibrations peut être provoqué par le type et l'aspect du sol sur lequel l'appareil est installé. Assurez-vous que le sol sur lequel l'appareil est installé est à niveau et peut supporter le poids de l'appareil (flexible).
- Une autre source de bruits et de vibrations peut être constituée par les objets placés sur l'appareil. Ces objets doivent en effet être posés ailleurs que sur l'appareil.
- Les bouteilles et les récipients posés dans le réfrigérateur se touchent. Dans ce cas, déplacez les bouteilles et les récipients de façon à créer un petit écart entre eux.

Recyclage



Ce produit est marqué du symbole du tri sélectif, relatif aux déchets d'équipements électriques et électroniques. Cela signifie que ce produit doit être pris en charge par un système de collecte sélectif conformément à la directive européenne 2002/96/CE, afin de pouvoir être recyclé ou démantelé dans le but de réduire tout impact sur l'environnement. Attention les produits électroniques n'ayant pas fait l'objet d'un tri sélectif sont potentiellement dangereux pour l'environnement et la santé humaine en raison de la présence potentielle de substances dangereuses.

Gefeliciteerd met uw keuze voor een kwaliteitstoestel van **BEKO**, ontwikkeld voor vele jaren dienst.

Veiligheid eerst!

Sluit uw toestel niet op de stroomtoevoer aan totdat alle verpakking en transportbescherming werd verwijderd.

- Laat de koelkast, als ze horizontaal werd vervoerd, minstens 4 uur stilstaan alvorens ze in werking te stellen. Dit dient om de olie van de compressor te laten zakken.

- Als u een oud toestel met een slot of een klink aan de deur vervangt, zorg er dan voor dat het op een veilige manier wordt achtergelaten zodat kinderen er niet in opgesloten kunnen geraken.

- Dit toestel mag enkel worden gebruikt voor het doel waar het voor dient.

- Verbrand uw apparaat niet. Het apparaat bevat bestanddelen zonder C.F.K. in de isolatie. Deze zijn brandbaar. Wij raden u aan om de plaatselijke instanties te contacteren voor informatie over de beschikbare faciliteiten voor het verwijderen van uw toestel.

- Wij raden het gebruik van dit toestel af in een onverwarmde, koude ruimte. (bijv. garage, serre, aanbouw, schuurtje, bijgebouw, enz.)

Het is heel belangrijk deze instructies zorgvuldig te lezen om de best mogelijke en probleemloze werking van uw toestel te bewerkstelligen. Het niet opvolgen van deze instructies kan uw recht op gratis service tijdens de garantieperiode doen vervallen.

Gelieve deze instructies op een veilige plaats te bewaren voor eenvoudige raadpleging.

De originele onderdelen worden beschikbaar gehouden gedurende een periode van 10 jaar vanaf de aankoopdatum.

Dit toestel is niet geschikt voor gebruik door personen met fysische of mentale problemen of met een gebrek aan ervaring of kennis tenzij er toezicht of uitleg over het product gegeven wordt door de persoon die de verantwoordelijkheid over hun veiligheid draagt.

Kinderen moeten onder toezicht staan zodat ze niet met het toestel kunnen spelen.

Elektriciteitsvereisten

Vergewis u ervan, alvorens u de stekker in het stopcontact steekt, dat de voltage en de frequentie op de kwalificatieplaat binnenin het toestel overeenkomen met uw stroomtoevoer. Wij raden u aan dit toestel aan te sluiten op de hoofdtoevoer via een naar behoren aangesloten en verzekerd stopcontact op een onmiddellijk bereikbare plaats.

Waarschuwing! Dit toestel moet worden geaard.

Herstellingen aan de elektrische uitrusting mogen enkel door een gekwalificeerde technicus worden uitgevoerd. Foutieve herstellingen, die werden uitgevoerd door een ongekwalificeerde persoon, houden risico's in die kritieke gevolgen kunnen hebben voor de gebruiker van het toestel.

OPGELET!

Dit toestel werkt op R600a. Dit is een milieuvriendelijk, maar brandbaar gas. Tijdens het transport en de plaatsing van het product moet er zorg voor worden gedragen dat het koelsysteem niet wordt beschadigd. Als het koelsysteem toch wordt beschadigd en er ontstaat een gaslek, houd het product dan verwijderd van open vuurbronnen en verlucht de kamer een tijdje.

WAARSCHUWING - Gebruik geen andere mechanische toestellen of andere middelen om het ontdooiingsproces te versnellen dan die toestellen of middelen die door de fabrikant worden aangeraden.

WAARSCHUWING - Beschadig het koelcircuit niet.

WAARSCHUWING - Gebruik geen elektrische toestellen in de bewaarladen van het toestel, tenzij ze door de fabrikant worden aangeraden.

WAARSCHUWING - Indien het netsnoer beschadigd is, moet dit door de producent, de dealer of een ander gekwalificeerd persoon worden gerepareerd om gevaar te voorkomen.

Transportinstructies

1. Het toestel mag enkel in staande positie worden vervoerd. De oorspronkelijke verpakking moet intact blijven tijdens het transport.

2. Als het toestel tijdens het transport horizontaal werd geplaatst, mag het minstens gedurende 4 uur niet in werking worden gesteld zodat het systeem kan stabiliseren.

3. Het niet naleven van de bovenstaande instructies kan het toestel beschadigen.

Hiervoor kan de fabrikant niet verantwoordelijk worden gehouden.

4. Het apparaat moet worden beschermd tegen regen, vochtigheid en andere weersinvloeden.

Belangrijk!

- Tijdens het schoonmaken/dragen van het toestel dient u ervoor te zorgen dat de metalen draden aan de onderkant van de condensor, die zich aan de achterkant van het toestel bevindt, niet worden aangeraakt. Deze kunnen vingers en handen kwetsen.

- Probeer niet bovenop het toestel te gaan zitten of staan, omdat het daar niet voor werd ontworpen. U zou zichzelf kunnen kwetsen of het toestel beschadigen.

- Zorg ervoor dat de hoofdkabel niet onder het toestel komt vast te zitten tijdens en na het verplaatsen ervan. Dit zou de kabel kunnen beschadigen.

- Laat kinderen niet met het toestel spelen of aan de knoppen komen.

Installatie-instructies

1. Plaats uw toestel niet in een kamer waar de temperatuur 's nachts en/of vooral 's winters lager dan 10°C (50°F) kan worden. Het werd ontworpen voor een werking in een omgevingstemperatuur tussen +10°C en +38°C (50°F en 100°F). Bij lagere temperaturen zou het apparaat mogelijk niet kunnen werken. Dit zou de bewaartijd van de etenswaren verkorten.

2. Plaats het toestel niet in direct zonlicht of in de nabijheid van een fornuis of een radiator.

Dit zou de functies van het toestel extra belasten. Als het toch naast een warmtebron of een diepvriezer wordt geplaatst, neem dan de volgende minimumafstanden in acht:

Van een fornuis 30 mm

Van een radiator 300 mm

Van een diepvriezer 25 mm

3. Zorg voor voldoende ruimte rond het toestel, zodat de lucht er vrij kan circuleren (**Afbeelding 2**).

- Bevestig het verluchtingstokje aan de achterkant van uw koelkast om de afstand tussen de koelkast en de muur te bepalen (**Afbeelding 3**).

4. Het toestel moet op een vlak oppervlak worden geplaatst.

De twee voorste voetjes kunnen naar wens worden aangepast. Draai ze met of tegen de richting van de klok, totdat ze veilig en stevig de grond raken en uw toestel goed recht staat. Het juist afstellen van de voetjes voorkomt overdreven trillingen en lawaai **(Afbeelding 4)**.

5. Raadpleeg het onderdeel "Schoonmaak en Onderhoud" om uw toestel klaar te maken voor gebruik.

Uw toestel leren kennen

(Afbeelding 1)

- 1 - Thermostaat en lampkast
- 2 - Aanpasbare kabinetsschappen
- 3 - Houder fles
- 4 - Watercollector
- 5 - Deksel van de groentelade
- 6 - Groentelade
- 7 - Lade voor snel invriezen
- 8 - Ijsschaal
- 9 - Lade voor het bewaren van ingevroren etenswaren
- 10 - Aanpasbaar voetje
- 11 - Schap voor glazen potten
- 12 - Eierrek
- 13 - Vak voor flessen

Voorstel voor de schikking van de etenswaren in het toestel

Richtlijnen voor het bereiken van een optimale opslagruimte en hygiëne:

1. De koelruimte dient voor het gedurende korte termijn bewaren van vers voedsel en drank.
2. Het diepvriezergedeelte is  gekwalificeerd en is geschikt voor het invriezen en bewaren van diepvriesproducten. De aanbeveling voor -bewaring, zoals vermeld op de verpakking van de diepvriesproducten, moet altijd in acht worden genomen.
3. Melkproducten moeten worden bewaard in het speciale vak voorzien in de deur.
4. Bereide gerechten moeten in luchtdichte containers worden bewaard.
5. Verse ingepakte producten kunnen op het schap worden bewaard. Vers fruit en groeten moeten worden schoongemaakt en worden bewaard in de groentelade.
6. Flessen kunnen in het deurvak worden bewaard.
7. Rauw vlees pakt u in een plastic zakje en bewaart u op het onderste schap. Zorg ervoor dat het niet in contact komt met bereide etenswaren,

zodat besmetting wordt vermeden. Bewaar rauw vlees uit veiligheid niet langer dan twee of drie dagen.

8. Voor maximale efficiëntie mogen de verwijderbare schappen niet worden bedekt met papier of andere materialen, zodat de koele lucht er vrij rond kan circuleren.

9. Bewaar geen plantaardige olie in de deurvakken. Bewaar de etenswaren verpakt, ingepakt of bedekt. Laat warm eten en warme dranken eerst afkoelen, alvorens u ze in de koelkast plaatst. Overschot van ingeblikte etenswaren mag niet in het blik worden bewaard.

10. Bruisende dranken mogen niet worden ingevroren en producten zoals ijslolly's mogen niet te koud worden gegeten.

11. Sommige stukken fruit en groenten worden slecht wanneer ze worden bewaard bij temperaturen rond 0°C. Daarom pakt u ananassen, meloenen, komkommers, tomaten en gelijkaardige producten beter in plastic zakjes in.

12. Sterk alcoholische dranken moeten rechtstaand worden bewaard in veilig gesloten containers. Bewaar nooit producten met een ontvlambaar drijfgas (vb. slagroomverdelers, spuitbussen, enz.) of met explosieve bestanddelen. Zij vormen ontploffingsgevaar.

Opmeting en regeling van de temperatuur

De temperatuur wordt geregeld door de thermostaatknop **(Afbeelding 5)** en mag op eender welke positie tussen 1 en 5 (de koudste positie) worden ingesteld.

De gemiddelde temperatuur in de koelkast zou ongeveer +5°C (+41°F) moeten bedragen.

Regel daarom de thermostaat zo dat de gewenste temperatuur wordt bereikt. Sommige gedeelten van de koelkast kunnen koeler of warmer zijn (zoals de groentelade en het bovenste gedeelte van de koelkast). Dit is normaal. Wij raden u aan om de temperatuur af en toe te controleren met een thermometer, zodat u ervoor kan zorgen dat deze temperatuur blijft behouden. Het frequent openen van de deur doet de inwendige temperatuur stijgen. U wordt daarom aangeraden de deur zo snel mogelijk na gebruik te sluiten.

Alvorens de inwerkingstelling

Laatste controle

Alvorens u het toestel begint te gebruiken, controleer of:

1. De voetjes zo werden geregeld dat de koelkast perfect recht staat.
2. De binnenkant droog is en dat de lucht achteraan vrij kan circuleren.
3. De binnenkant proper is, zoals aanbevolen onder "Schoonmaak en onderhoud".
4. De stekker in het stopcontact zit en de elektriciteit is aangesloten. Wanneer de deur wordt geopend, zal het binnenlichtje aangaan.

Ter informatie:

5. U zult een geluid horen wanneer de compressor opstart. De vloeistof en de gassen die zich in het koelsysteem bevinden, zouden ook wat lawaai kunnen veroorzaken en dit ongeacht of de compressor aan het werken is of niet. Dit is normaal.
6. Een lichte golving van de bovenkant van de koelkast is normaal wegens het gebruikte fabricatieproces; het is geen defect.
7. Wij raden u aan de thermostaatknop halfweg in te stellen en de temperatuur op te volgen, zodat het toestel de vereiste bewaartemperaturen behoudt (Zie onderdeel Opmeting en regeling van de temperatuur).
8. Laad het toestel niet onmiddellijk, nadat het is aangeschakeld. Wacht tot de juiste bewaartemperatuur wordt bereikt. Wij raden u aan de temperatuur op te meten met een accurate thermometer (zie: Opmeting en regeling van de temperatuur).

Diepvriesproducten bewaren

Uw diepvriezer is geschikt voor het langdurige bewaren van commercieel ingevroren etenswaren en kan ook worden gebruikt om verse etenswaren in te vriezen en te bewaren. Open de deur niet in geval van een elektriciteitspanne. De ingevroren etenswaren zouden niet mogen worden aangetast, als de panne minder dan 16 uur duurt. Als ze langer duurt, moeten de etenswaren worden nagekeken en ofwel onmiddellijk worden opgegeten, ofwel worden klaargemaakt en dan opnieuw ingevroren.

Verse etenswaren invriezen

Gelieve de volgende instructies in acht te nemen om de beste resultaten te bereiken. Vries nooit een al te grote hoeveelheid in één keer in.

De kwaliteit van het eten blijft het best geconserveerd wanneer het zo snel mogelijk goed tot in het hart wordt ingevroren.

Overschrijd de vriescapaciteit van uw toestel niet binnen een tijdspanne van 24 uur.

Warm eten in de diepvriezer plaatsen, heeft tot gevolg dat de machine aan één stuk door zal blijven koelen totdat het eten vast is diepgevroren. Dit kan tijdelijk leiden tot een overdreven afkoeling van het koelkastgedeelte.

Houd de thermostaatknop op de middenpositie wanneer u verse etenswaren invriest. Kleine hoeveelheden etenswaren, tot ½ kg. (1 lb.), kunnen worden ingevroren zonder de temperatuurknop te verdraaien. Zorg er goed voor geen diepvriesproducten te mengen met verse etenswaren.

Ijsblokjes maken

Vul de vorm voor ¾ met water en plaats hem in de diepvriezer. Maak aangevoren vormen los met het uiteinde van een lepel of een gelijkaardig instrument; gebruik nooit scherpe voorwerpen, zoals messen of vorken.

Ontdooien

A) Koelkastgedeelte

Het koelkastgedeelte ontdooit automatisch. Het dooiwater loopt naar de afvoerpijp via een verzamelbak aan de achterkant van het toestel (**Afbeelding 6**).

Tijdens het ontdooien kunnen er waterdruppels worden gevormd aan de achterkant van het koelkastgedeelte, waar er zich een verborgen verdampers bevindt. Sommige druppels zouden op de voering kunnen blijven zitten en opnieuw aanvriezen wanneer het ontdooiingproces is afgelopen. Gebruik geen puntige of scherpe voorwerpen, zoals messen of vorken, om de opnieuw aangevoren druppels te verwijderen. Als het dooiwater op een bepaald moment niet afloopt van het verzamelkanaal, controleer dan of er geen etensresten de afvoerpijp hebben geblokkeerd. De afvoerpijp kan met een pijpreiniger of een gelijkaardig instrument worden vrijgemaakt.

Controleer of de slang op permanente wijze met het ene uiteinde in de verzamelbak op de compressor is geplaatst om te voorkomen dat water op de elektrische installatie of op de vloer wordt gemorst (**Afbeelding 7**).

B) Het diepvriesgedeelte

Ontdooien is zeer eenvoudig en zonder vuiligheid, dankzij een speciale verzamelbak voor het dooiwater.

Ontdooi twee keer per jaar of wanneer er zich een ijslaag van ongeveer 7 mm ($\frac{1}{4}$ ") heeft gevormd. Om de ontdooiprocedure te beginnen, schakel het toestel uit aan het stopcontact en trek de hoofdstekker uit. Al de etenswaren moeten in verschillende lagen krantenpapier worden ingepakt en worden bewaard in een koele ruimte (vb. koelkast of provisiekamer).

U mag eventueel kommen met warm water voorzichtig in de diepvriezer plaatsen om het ontdooien te versnellen.

Gebruik geen puntige of scherpe voorwerpen, zoals messen of vorken, om het ijs te verwijderen.

Gebruik nooit haardrogers, elektrische verwarmingstoestellen of andere gelijkaardige elektrische toestellen om te ontdooien. Spons het verzamelde dooiwater op de bodem van het diepvriesgedeelte op. Maak de binnenkant na het ontdooien goed droog (**Afbeelding 8 en 9**). Steek de stekker in het stopcontact en schakel de stroomtoevoer aan.

Het binnenlichtje vervangen

Om de lamp/led voor de binnenverlichting van uw koelkast te vervangen, bel uw bevoegde onderhoudsdienst.

De lamp of lampen voorzien in dit apparaat mogen niet worden gebruikt voor de verlichting van huishoudelijke ruimten. Het beoogde gebruik van deze lamp is de gebruiker te helpen etenswaren op veilige en comfortabele wijze in de koelkast/diepvriezer te plaatsen.

De lampen die in dit apparaat worden gebruikt moeten bestendig zijn tegen extreme fysieke omstandigheden, zoals temperaturen beneden de -20°C .

Schoonmaak en onderhoud

1. Wij raden u aan het toestel uit te schakelen aan het stopcontact en de hoofdstekker uit te trekken voor het schoonmaken.

2. Gebruik nooit scherpe instrumenten of schurende bestanddelen, zeep, huishoudproducten, afwasmiddel of boenwas om te poetsen.

3. Gebruik lauw water om het kabinet van het toestel schoon te maken en wrijf het droog.

4. Gebruik een vochtige doek, uitgewrongen in een oplossing van één koffielepel natriumbicarbonaat voor 50 cl water, om de binnenkant schoon te maken en wrijf vervolgens droog.

5. Zorg ervoor dat er geen water de temperatuurregelaar binnensijpelt.

6. Als het toestel voor een lange periode niet zal worden gebruikt, schakel het dan uit, verwijder al de etenswaren, maak het schoon en laat de deur op een kier staan.

7. Wij raden u aan de metalen onderdelen van het product (d.i. de buitenkant van de deur, de wanden van de kast) op te poetsen met een siliconewas (autoboenwas) om de verfafwerking van hoge kwaliteit te beschermen.

8. Al het stof dat zich op de condensator nestelt, die zich achteraan het toestel bevindt, moet één keer per jaar met een stofzuiger worden verwijderd.

9. Kijk de deurgrendels regelmatig na om u ervan te vergewissen dat ze proper en vrij van etensresten zijn.

10. Nooit doen:

- Maak het toestel nooit schoon met ongeschikt materiaal; vb. producten op basis van petroleum.
- Stel het toestel nooit bloot aan hoge temperaturen op eender welke manier.
- Schrob, wrijf, enz. nooit met schurend materiaal.

11. Verwijdering van de zuivelbeschermer en het deurvak:

- Om de zuivelbeschermer te verwijderen, licht u hem eerst ongeveer enkele centimeters op en trekt u hem dan van de kant waar er een opening is in de beschermer.
- Om een deurvak te verwijderen, neemt u er al de inhoud eerst uit en drukt u het deurvak vervolgens eenvoudigweg naar boven van de basis.

12. Zorg ervoor dat de speciale plastic bak, die achteraan het toestel het dooiwater opvangt, altijd proper is. Als u de bak wilt verwijderen om hem schoon te maken, volg dan de onderstaande instructies:

- Schakel het toestel uit aan het stopcontact en trek de hoofdstekker uit.
- Plooi de nagel op de compressor voorzichtig recht met een tang, zodat de bak kan worden verwijderd.
- Hef de bak op.
- Maak de bak schoon en wrijf hem droog.

• Zet het geheel terug in elkaar door de volgorde van de handelingen om te draaien.

13. Om een lade te verwijderen, trekt u hem zo ver mogelijk uit het toestel, licht u hem op en trekt u hem er vervolgens volledig uit.

De deur verplaatsen

Ga te werk in de volgorde van de getallen (Afbeelding 10).

Wel en niet doen

- Wel-** Uw toestel regelmatig schoonmaken en ontdooien (Zie "Ontdooien")
- Wel-** Rauw vlees en gevogelte bewaren onder klaargemaakte etenswaren en zuivelproducten.
- Wel-** Onbruikbare bladeren van groenten verwijderen en eventuele aarde er afwrijven.
- Wel-** Laat sla, kool, peterselie en bloemkool op hun stengel.
- Wel-** Pak kaas eerst in vetvrij papier in en vervolgens in een plastic zakje. Probeer zo veel mogelijk lucht buiten te sluiten. Voor het beste resultaat neemt u de kaas een uur voor de maaltijd uit de koelkast.
- Wel-** Pak rauw vlees en gevogelte los in plastic of aluminiumfolie in. Dit voorkomt uitdroging.
- Wel-** Pak vis en restafval in plastic zakjes in.
- Wel-** Pak etenswaren met een sterke geur of etenswaren die kunnen uitdrogen in plastic zakjes of aluminiumfolie in of plaats ze in een luchtdichte bak.
- Wel-** Pak brood goed in, zodat het vers blijft.
- Wel-** Koel witte wijn, bier, pils en mineraalwater alvorens op te dienen.
- Wel doen -** Kijk de inhoud van de diepvriezer nu en dan eens na.
- Wel-** Bewaar etenswaren zo kort mogelijk en houdt u aan de vervaldatum.
- Wel-** Bewaar diepvriesproducten volgens de instructies op de verpakking.
- Wel-** Opteer altijd voor verse etenswaren van hoge kwaliteit en zorg ervoor dat ze volledig proper zijn alvorens u ze invriest.
- Wel-** Verdeel in te vriezen verse etenswaren in kleine porties, zodat ze snel kunnen invriezen.
- Wel-** Pak al de etenswaren in aluminiumfolie of plastic diepvrieszakjes in en zorg ervoor dat alle lucht wordt buitengesloten.
- Wel-** Pak diepvriesproducten onmiddellijk in na aankoop en plaats ze zo snel mogelijk in de diepvriezer.
- Wel-** Ontdooi etenswaren in het koelkastgedeelte.

Niet- Bananen bewaren in het koelkastgedeelte.
Niet- Meloen bewaren in uw koelkast. De meloen kan voor korte perioden worden afgekoeld, zolang hij is ingepakt en niet de smaak van andere etenswaren kan bederven.

Niet- De schappen bedekken met beschermend materiaal. Dit zou de luchtcirculatie kunnen hinderen.

Niet- Giftige of gevaarlijke bestanddelen in uw koelkast bewaren. Het toestel werd namelijk enkel ontworpen voor het bewaren van eetbare producten.

Niet- Etenswaren consumeren die overdreven lang in de koelkast hebben gestaan.

Niet- Klaargemaakte en verse etenswaren samen in dezelfde bak bewaren. Zij moeten afzonderlijk worden ingepakt en bewaard.

Niet- Ontdooiende etenswaren of sappen van etenswaren op andere etenswaren laten druppelen.

Niet- De deur voor een lange tijd open laten staan. Dit zal het toestel kostelijker maken en overdreven ijsaanslag veroorzaken.

Niet- Scherpe objecten, zoals messen of vorken, gebruiken om het ijs te verwijderen.

Niet- Warm eten in het toestel plaatsen. Laat het eerst afkoelen.

Niet- Flessen of luchtdichte blikken met koolzuurhoudende vloeistoffen in de diepvriezer plaatsen. Deze zouden namelijk kunnen barsten.

Niet- De maximumlading overschrijden wanneer u verse etenswaren invriest.

Niet- Ijsjes of ijslolly's, die direct uit de diepvriezer komen, aan kinderen geven. De lage temperatuur kan 'vriesbrandwonden' veroorzaken op de lippen.

Niet- Bruisende dranken diepvriezen.

Niet- Ingevroren etenswaren, die zijn ontdooid, proberen te bewaren; zij moeten binnen de 24 uur worden opgegeten of worden klaargemaakt en opnieuw ingevroren.

Niet- Items uit de diepvriezer nemen met natte handen.

Energieverbruik

Een maximaal bruikbaar volume voor het bewaren van diepvriesproducten krijgt u wanneer u de bovenste en middelste lade in het vriesvak niet gebruikt. Het energieverbruik van uw apparaat is gebaseerd op het apparaat met het vriesvak middelste lade en het deksel van de bovenste lade.

Praktisch advies met betrekking tot vermindering van het elektriciteitsverbruik

1. Controleer of het apparaat geplaatst is in een goed geventileerde ruimte, weg van hittebronnen (fornuis, radiator etc.). Tegelijkertijd moet plaatsing van het apparaat zo worden uitgevoerd dat het apparaat niet in direct zonlicht staat.
2. Zorg ervoor dat aangekochte gekoelde/ingevroren levensmiddelen zo snel mogelijk in het apparaat worden geplaatst, met name tijdens de zomerperioden. Het is raadzaam om voor het vervoer van deze levensmiddelen koel- of diepvriestassen (thermische isolatie) te gebruiken.
3. Wij raden aan om de pakketjes die uit de vriezer worden gehaald in de koelkast te ontdooien. Plaats hiervoor het te ontdooien pakketje in een bak zodat het dooiwater niet in het koelgedeelte lekt. Wij raden aan om ingevroren levensmiddelen minimaal 24 uur voor gebruik uit de diepvriezer te halen om ze te laten ontdooien.
4. Wij raden aan om de deur zo min mogelijk te openen.
5. Laat de deur van het apparaat niet langer open staan dan nodig is en controleer na elke opening of de deur weer goed is gesloten.

Informatie met betrekking tot geluid en trillingen die tijdens de werking van uw apparaat kunnen optreden

1. Het werkingsgeluid kan tijdens de werking van het apparaat toenemen.
 - Om de temperatuur op de ingestelde temperatuur te houden, start de compressor van het apparaat regelmatig op. Het geluid dat door de compressor wordt geproduceerd, wordt luider wanneer deze opstart. Als de compressor stopt kunt u een klik horen.
 - De prestatie- en werkingskenmerken van het apparaat kunnen veranderen als gevolg van wijzigingen in de omgevingstemperatuur. Dit is normaal.

2. Geluid van stromende of sproeiende vloeistof
 - Deze geluiden worden veroorzaakt door de stroming van het koelmiddel in het circuit van het apparaat en zijn normaal voor het werkingsprincipe van het apparaat.
3. Ander geluid en andere trillingen.
 - Het geluid- en trillingsniveau kan veroorzaakt worden door het type en de ligging van de vloer waarop het apparaat is geplaatst. Zorg dat er in de vloer geen te grote niveaueverschillen zijn of dat deze kan bezwijken onder het gewicht van het apparaat (vloer die meegeeft).
 - Geluid en trillingen kunnen tevens veroorzaakt worden door voorwerpen die op het apparaat zijn geplaatst. Deze voorwerpen moeten van het apparaat verwijderd worden.
 - Flessen of bakjes die in de koelkast zijn geplaatst kunnen elkaar raken. In dat geval, verplaatst de flessen en bakjes zodat hier enige ruimte tussen ontstaat.

Problemen oplossen

Als het toestel niet werkt wanneer het is aangeschakeld, controleer dan het volgende:

- Of de stekker goed in het stopcontact steekt en of de stroomtoevoer aanstaat. (Om de stroomtoevoer naar het stopcontact te testen, sluit u een ander toestel erop aan)
- Of de zekering is gesprongen / de stroomonderbreker is doorgeslagen / de hoofddistributie werd afgesloten.
- Of de temperatuurregeling juist werd ingesteld.
- Of de nieuwe stekker juist werd aangesloten, als u de aangeleverde standaardstekker heeft vervangen.

Als het toestel nog altijd niet werkt na alle bovenstaande controles, contacteer dan de verdeler van wie u het toestel heeft gekocht. Gelieve ervoor te zorgen dat de bovenstaande controles werden uitgevoerd, aangezien u de verplaatsing zal worden aangerekend als er geen fout wordt vastgesteld.



Het symbool  op het product of op de verpakking geeft aan dat het product niet als huishoudelijke afval kan worden behandeld. In plaats daarvan moet het worden afgegeven in het toepasselijke recyclagecentrum voor het recycleren van elektrische en elektronische apparaten. Door ervoor te zorgen dat dit product op de juiste manier wordt verwijderd, helpt u potentiële negatieve gevolgen te vermijden voor het milieu en de menselijke gezondheid, die anders veroorzaakt zouden kunnen worden door de verkeerde afvalbehandeling van dit product. Voor meer gedetailleerde informatie over het recycleren van dit product, neem contact op met de plaatselijke instanties, uw huishoudafval-verwerkingsdienst of de winkel waar u het product hebt aangekocht.

Gratulujemy dokonania mądrego wyboru!

***BEKO** to jedna z wiodących marek sprzętu AGD w Europie. Produkty naszej marki to dla konsumentów w ponad 100 krajach synonim funkcjonalności, niezawodności i przystępnej ceny. Obecnie już ponad 250 milionów użytkowników urządzeń **BEKO** potwierdza, że był to mądry wybór.*

Bezpieczeństwo przede wszystkim

*Opisana tu chłodziarko-zamrażarka jest najnowszym modelem urządzeń chłodniczych wchodzących w skład serii produktów **BEKO**.*

Została ona zaprojektowana i wyprodukowana zgodnie z międzynarodowymi normami. Przed przystąpieniem do użytkowania prosimy zapoznać się uważnie z instrukcją obsługi. Zastosowanie się do poniższych zaleceń zagwarantuje uzyskanie optymalnego zużycia energii elektrycznej i zapewnieni bezpieczeństwo eksploatacji oraz ochroni przed powstaniem przypadkowych uszkodzeń.

Ostrzeżenie!

Urządzenie to może być użytkowane wyłącznie zgodnie z przeznaczeniem, dla którego zostało wyprodukowane. Urządzenie należy instalować w miejscu o odpowiednich wymiarach oraz nie narażonym na działanie deszczu, wilgoci, itd.

Ważne!

Producent nie będzie ponosić odpowiedzialności za szkody wynikłe z niestosowania się do zaleceń zawartych w instrukcji obsługi. Instrukcję obsługi należy przechowywać w bezpiecznym miejscu tak, aby można było z niej korzystać w razie konieczności. Może być ona przydatna również dla innego użytkownika.

Oryginalne części zamienne będą dostępne przez 10 lat od daty zakupu produktu.

Używanie urządzenia przez osoby z fizycznymi sensorycznymi lub mentalnymi ograniczeniami powinno odbywać się tylko pod kontrolą osób odpowiedzialnych za ich bezpieczeństwo.

Należy dopilnować, aby dzieci nie używały urządzenia do zabawy.

Podłączenie do zasilania

Urządzenie jest przeznaczone do pracy przy zasilaniu ~220-240V, 50 Hz. Przed podłączeniem urządzenia do sieci należy upewnić się, czy napięcie, rodzaj prądu i częstotliwość w sieci są zgodne z wartościami podanymi na tabliczce znamionowej urządzenia.

Nie należy podłączać urządzenia za pośrednictwem przedłużaczy elektrycznych.

Zanim podłączysz kabel do gniazda elektrycznego sprawdź czy nie jest uszkodzony.

Jeżeli kabel ulegnie uszkodzeniu, to powinien być on zastąpiony specjalnym kablem dostępnym w autoryzowanym serwisie.

Ostrzeżenie!

Bezpieczeństwo elektryczne urządzenia jest gwarantowane tylko wtedy, gdy jego gniazdo zasilające jest uziemione zgodnie z obowiązującymi przepisami.

Podłączenie uziemiające jest obowiązkowe!

Nie należy dotykać urządzenia gołymi rękoma będąc boso.

Ostrzeżenie!

Nie wolno nigdy próbować samemu naprawiać urządzeń elektrycznych. Wszelkie naprawy wykonywane (oprócz czynności opisanych w tabeli poniżej) przez osoby nieuprawnione są niebezpieczne dla użytkownika i powodują utratę uprawnień gwarancyjnych.

W razie uszkodzenia przewodu zasilającego, aby uniknąć niebezpieczeństwa, musi go wymienić producent, jego agent serwisowy lub podobnie wykwalifikowany personel.

Podłączenie do zasilania

Ostrzeżenie!

Urządzenie to musi być uziemione

- Należy sprawdzić, czy rodzaj i napięcie zasilania w miejscu ustawienia zamrażarki odpowiadają danym na tabliczce znamionowej w jej wnętrzu,
- Bezpieczeństwo zamrażarki pod względem elektrycznym zapewnione jest tylko wtedy, jeśli domowy system uziemienia zainstalowano zgodnie z przepisami.
- Ustawiając zamrażarkę należy zadbać, aby nie stała na przewodzie zasilającym, co może grozić jego uszkodzeniem.

- Należy zapewnić łatwy dostęp do wtyczki w gniazdku zasilającym. Nie należy stosować ani przedłużaczy ani rozdzielników.

- Parametry elektryczne zamrażarki podano na tabliczce znamionowej umieszczonej w jej wnętrzu.

- Elektryczny przewód zasilający należy ułożyć tak, aby można go było łatwo włączyć i wyłączyć po zakończeniu instalacji.

- Jeśli nie ma dostępu do przewodu zasilającego należy użyć przekładki izolacyjnej (dla modeli do zabudowy).

(!) Urządzenie jest przeznaczone do pracy przy zasilaniu ~220-240V.

Instrukcje transportu i ustawiania

Urządzenie musi być transportowane wyłącznie w pozycji pionowej. W trakcie transportu nie wolno naruszać opakowania. Gdyby jednak zdarzyło się, iż urządzenie było transportowane w pozycji poziomej, to przed uruchomieniem należy pozostawić je w pozycji pionowej - nie uruchamiając, przez co najmniej 4 godzin.

Niezastosowanie się do powyższej instrukcji może spowodować uszkodzenie sprężarki i nie uznanie naprawy gwarancyjnej.

Przesuwając, ustawiając lub podnosząc urządzenie nie należy tego robić chwytając za rączki lub skraplacz (umieszczony z tyłu lodówki).

Montaż

Urządzenie będzie pracować prawidłowo w zakresie temperatur otoczenia od +10°C do +38°C. Jeżeli temperatura w pomieszczeniu przekroczy +38°C, to wtedy temperatura wewnątrz urządzenia może wzrosnąć.

Urządzenie należy umieścić w odpowiedniej odległości od ściany, z dala od grzejników, kuchenek lub innych źródeł ciepła. Będą one powodować niepotrzebne uruchamianie się całego urządzenia, co prowadzi do większego zużycia energii i skrócenia jego czasu eksploatacji.

Jeżeli jest to niemożliwe należy zachować następujące minimalne odległości:

- od kuchni 30 mm
- od grzejników 300 mm
- od zamrażarek 25 mm

Należy zapewnić wolną przestrzeń wokół całego urządzenia w celu uzyskania prawidłowej cyrkulacji powietrza (patrz **rys. 2**).

Dwie poprzeczki dystansowe skraplacza umożliwiające właściwą cyrkulację powietrza należy zamontować w sposób pokazany na rysunku 3 (patrz **rys 3**).

Po ustawieniu urządzenia na równej powierzchni, należy je wypoziomować przez pokręcanie jego nóżek w prawo lub w lewo dotąd, aż wszystkie będą się stykać z podłogą (patrz **rys. 4**). Prawidłowe wyregulowanie nóżek pozwoli uniknąć wibracji i nadmiernego hałasu.

Zapoznaj się z twoim urządzeniem

(Patrz **rys. 1**)

1. Obudowa termostatu i lampy
2. Półki wyjmowane
3. Półka na butelki
4. Rynienka odprowadzająca wodę z odszraniania
5. Pokrywa pojemnika na owoce i warzywa
6. Pojemnik na owoce i warzywa
7. Komora szybkiego zamrażania
8. Pojemnik na kostki lodu
9. Komora zamrożonej żywności
10. Regulowane nożyki
11. Balkonik na słoiki
12. Tacka na jajka
13. Balkonik na butelki

Porady dotyczące przechowywania żywności

Aby efekty i higiena przechowywania były najlepsze:

- Chłodziarka jest przeznaczona do krótkotrwałego przechowywania świeżej żywności i napoi.
- Zamrażarka jest przeznaczona do przechowywania żywności zamrożonej oraz do zamrażania żywności świeżej.
- Produkty gotowane należy przechowywać w szczelnych pojemnikach, przez okres nie dłuższy niż 2-3 dni.
- Produkty świeże w opakowaniach można kłaść na półkach. Świeże warzywa i owoce należy przechowywać w pojemniku na owoce i warzywa (**rys. 1/6**).
- Butelki należy przechowywać w balkoniku na butelki (**rys 1/13**) znajdującym się po wewnętrznej stronie drzwi.
- Aby zachować świeżość chłodzonego mięsa, należy zapakować je do woreczków przeznaczonych do przechowywania żywności. Nie może ono stykać się z żywnością gotową do spożycia. Świeżego mięsa nie należy przechowywać dłużej niż 2 lub 3 dni.

- Aby zapewnić optymalną wydajność chłodzenia, nie należy przykrywać półek papierem lub innym materiałem; umożliwi to swobodną cyrkulację zimnego powietrza.
- Całą żywność należy przechowywać zapakowaną lub przykrytą. Żywność w puszkach konserwowych należy po ich otwarciu przenieść do szczelnego pojemnika przeznaczonego do przechowywania produktów spożywczych.
- Gorącą żywność należy ostudzić przed włożeniem do chłodziarki.
- Aby uniknąć ryzyka eksplozji, napoje z dużą zawartością alkoholu należy przechowywać w pozycji pionowej, w dobrze uszczelnionych pojemnikach.

Regulacja temperatury

Chłodziarka

Temperaturę wnętrza należy regulować pokrętkiem termostatu (**rys 5**). Temperatura wewnątrz urządzenia może się wahać w zależności od takich warunków jego użytkowania, jak: miejsce ustawienia, temperatura w pomieszczeniu, częstotliwość otwierania drzwi oraz ilość przechowywanej żywności; zależnie od tych warunków należy odpowiednio ustawiać pokrętko termostatu. Przy temperaturze pomieszczenia równej 25°C zaleca się ustawienie pokrętkła regulacji termostatu w pozycji środkowej. Termostat zapewnia również automatyczne odszranianie chłodziarki. Podczas odszraniania temperatura wewnątrz chłodziarki może się podnieść do +8°C, lecz w trakcie chłodzenia spada ona do 2-3°C dając średnią temperaturę całego cyklu roboczego około +5°C. Należy unikać ustawiania pokrętkła termostatu na zbyt niską temperaturę, która powoduje ciągłą pracę urządzenia. Efektem tego będzie spadek temperatury poniżej 0°C, co powoduje zamarznięcie napoi i świeżej żywności oraz nadmierne gromadzenie się lodu na wewnętrznych ścianach; wszystko to prowadzi do zwiększenia zużycia energii i spadku wydajności urządzenia. Podczas pracy chłodziarki na tylnej ścianie gromadzi się skroplona woda lub cząsteczki lodu.

Nie jest konieczne usuwanie tego osadu, gdyż ścianka ta jest automatycznie odszraniana. Woda z odszraniania jest odprowadzana przez specjalny odpływ i zbiera się w wanience ściekowej umieszczonej na sprężarce, gdzie ulega odparowaniu. Co jakiś czas należy oczyścić odpływ, aby woda mogła swobodnie spłynąć do wanienki ściekowej.

Zamrażarka

Ustawienie termostatu może mieć również wpływ na temperaturę w zamrażarce. Ogólnie, temperatura ta waha się w granicach od -18°C do -28°C w trakcie całego cyklu roboczego.

Uruchamianie

Przed uruchomieniem urządzenia należy wyczyścić jego wnętrze (jak podano w rozdziale "Czyszczenie urządzenia"). Do czyszczenia nie należy używać produktów ściernych i silnych detergentów.

Po zakończeniu czyszczenia, urządzenie należy podłączyć do sieci zasilającej, następnie otworzyć drzwi (powinna zaświecić się lampka) i ustawić pokrętkę termostatu w pozycji środkowej. Pozostawić urządzenie uruchomione, lecz puste, przez około 2 godziny. Świeżą żywność można włożyć i zacząć zamrażać po upływie minimum 12 godzin od włączenia.

Porady odnośnie przechowywania zamrożonej żywności

Zamrażarka jest przeznaczona do zamrażania świeżej żywności oraz do przechowywania mrożonek przez dłuższy okres czasu.

Aby osiągnąć najlepsze rezultaty zamrażania, żywność należy szczelnie opakować.

Materiał opakowania powinien: nie przepuszczać powietrza, być obojętny chemicznie w stosunku do opakowanej żywności, być odporny na niskie temperatury, nie nasiąkać płynami, tłuszczem, parą wodną i zapachami oraz powinien być zmywalny. Na opakowania odpowiednie są takie materiały jak folie plastikowe i aluminiowe oraz pojemniki plastikowe, aluminiowe przeznaczone do bezpośredniego kontaktu z żywnością. Nie należy przechowywać zamrożonej żywności w szklanych opakowaniach. W przypadku przerwy w dopływie prądu nie należy otwierać drzwi urządzenia.

Jeżeli przerwa w dopływie prądu trwa krócej niż kilka godzin, to nie będzie to mieć szkodliwego wpływu na zamrożoną żywność.

Mrożenie świeżej żywności

- Do zamrażania świeżej żywności należy używać komory oznaczonej 4 gwiazdkami (czyli komory szybkiego zamrażania).
- Nie należy zamrażać jednocześnie dużych ilości żywności. Najlepsze rezultaty w przechowywaniu żywności są osiągane wtedy, gdy jest ona głęboko zamrażana w możliwie jak najkrótszym czasie. Dlatego nie powinno się przekraczać wydajności zamrażania, podanej w charakterystyce technicznej. Ustawienie termostatu należy wtedy tak wyregulować, aby w zamrażarce osiągnąć jak najniższą temperaturę, lecz jednocześnie żeby temperatura w chłodziarce nie spadła poniżej 0°C .
- Produkty spożywcze już zamrożone (gotowe mrożonki) można wkładać od razu do zamrażarki, bez potrzeby regulowania termostatu.
- Jeżeli na opakowaniu nie podano daty zamrożenia, to jako maksymalny okres przechowywania należy ogólnie przyjąć 3 miesiące.
- Nie wolno ponownie zamrażać żadnej rozmrożonej żywności, nawet, gdy jest ona tylko częściowo rozmrożona. Żywność taką należy skosztować niezwłocznie lub ugotować i dopiero wtedy - ponownie zamrozić.

Jak robić kostki lodu

Napełnić wodą pojemnik na lód do $3/4$ wysokości i włożyć go do zamrażarki. Kostki lodu można łatwo wyjąć wstawiając pojemnik z lodem na kilka sekund pod strumień zimnej bieżącej wody.

Odmrażanie

Chłodziarka

Odmrażanie chłodziarki następuje całkowicie samoczynnie za każdym razem, gdy termostat wyłączy sprężarkę. Nie jest przy tym konieczna żadna ingerencja użytkownika. Powstała w wyniku rozmrażania woda zbiera się w wanience ściekowej umieszczonej na sprężarce (**rys 6**) i jest odparowywana przez ciepło wytwarzane przez sprężarkę.

WAŻNE!

Kolektor wodny i wąż odprowadzający należy utrzymywać w czystości, aby umożliwić swobodny odpływ wody powstałej podczas odszraniania. Należy sprawdzać, czy koniec węża odpływowego znajduje się zawsze wewnątrz wanienki ściekowej na sprężarce, aby zapobiec wylewaniu się wody na okablowanie elektryczne lub na podłogę (**rys. 7**). Należy regularnie sprawdzać grubość osadzonego lodu wewnątrz zamrażarki.

Odszranianie należy wykonywać 2 razy w roku lub gdy grubość warstwy lodu osiągnie 6-8 mm (co się zdarza raz lub dwa razy w roku); jest to konieczne, gdyż lód jest izolatorem ciepła i powoduje zmniejszenie wydajności zamrażania, a co za tym idzie zwiększenie zużycia energii elektrycznej.

Przed rozpoczęciem odszraniania należy ustawić pokrętkę termostatu na maksimum, w celu głębokiego zamrożenia żywności.

Następnie należy wyjąć zamrożoną żywność, owinać ją w papier i położyć w zimnym miejscu. Później wyjąć wtyczkę z gniazda sieci zasilającej. Drzwiczki zamrażarki należy pozostawić otwarte, a do jej wnętrza można wstawić pojemnik z gorącą wodą (o temperaturze maks. 80°C); przyspieszy to proces odszraniania.

Nie należy usuwać lodu przy użyciu ostrych przedmiotów metalowych aby nie uszkodzić ścianek zamrażarki.

Nie należy przyspieszać odszraniania przy użyciu suszarek do włosów lub innych urządzeń elektrycznych.

Wodę ze stopionego lodu należy usunąć z pojemnika na ściekającą wodę (**rys 8 i 9**), a następnie wytrzeć go suchą gąbką lub szmatką.

Wymiana żarówki

Aby wymienić lampkę używaną do oświetlenia chłodziarki, prosimy wezwać autoryzowany serwis.

Lampa (lampy) wykorzystywane w tym urządzeniu nie są przeznaczone do oświetlania pomieszczeń. Lampa ta ma pomagać użytkownikowi wygodnie i bezpiecznie umieszczać pożywienie w lodówce/zamrażarce.

Żarówki używane w urządzeniu muszą wytrzymać ekstremalne warunki fizyczne, jak np. temperatury poniżej -20°C.

Czyszczenie urządzenia**Czyszczenie wnętrza**

Przed rozpoczęciem czyszczenia należy odłączyć urządzenie od sieci elektrycznej. Czyszczenie urządzenia zaleca się wykonywać po każdym jego odmrożeniu. Wnętrze urządzenia należy czyścić letnią wodą z dodatkiem sody amoniakalnej (w stężeniu 1 łyżeczka sody na 4 litry wody); nie wolno nigdy używać mydła, detergentów, benzyny lub acetonu, gdyż mają one nieprzyjemny zapach. Do czyszczenia należy używać wilgotnej gąbki, a do suszenia - miękkiej szmatki.

W trakcie czyszczenia nie należy stosować nadmiaru wody, aby nie przedostała się ona do wnętrza izolacji termicznej, gdyż może to spowodować wydzielanie nieprzyjemnego zapachu.

Nie wolno dopuszczać do tego, aby do wnętrza termostatu przedostała się woda. Po zakończeniu czyszczenia należy ponownie podłączyć urządzenie do sieci elektrycznej. W trakcie czyszczenia prosimy pamiętać o dokładnym wytarciu suchą szmatką uszczelek drzwi.

Czyszczenie zewnętrznych powierzchni

Części zewnętrzne należy czyścić gąbką nasączoną ciepłą wodą z mydłem, a następnie miękką suchą szmatką. Nie wolno nigdy używać proszków do czyszczenia, silnych detergentów lub narzędzi ściernych.

Czyszczenie zespołu sprężarka-skraplacz

Przed rozpoczęciem czyszczenia należy wyjąć wtyczkę z gniazda sieci zasilającej. Zespół sprężarki ze skraplaczem (zamontowany z tyłu urządzenia) należy czyścić z kurzu przy użyciu miękkiej szczotki lub odkurzacza.

W trakcie czyszczenia należy uważać, aby nie zgiąć rurek lub nie uszkodzić przewodów elektrycznych. Po zakończeniu czyszczenia wstawić akcesoria na swoje miejsce i ponownie podłączyć urządzenie do sieci elektrycznej.

Zmiana kierunku otwierania drzwi

Należy wykonać kolejno czynności pokazane na **rysunku 10**.

Środki ostrożności w trakcie użytkowania

- Wszelkie naprawy mogą być wykonywane wyłącznie przez autoryzowany serwis.
 - Urządzenie należy odłączyć od źródła zasilania podczas odmrażania i czyszczenia.
- Urządzenie należy odłączać przez wyjęcie wtyczki z gniazdka. Nigdy nie wolno tego robić przez pociąganie za kabel.**
- Nie należy nigdy wspinać się na urządzenie lub stawać na jego poprzeczce, drzwiach, komorach czy półkach.
 - W urządzeniu nie wolno przechowywać produktów lub pojemników zawierających palne lub wybuchowe gazy.
 - Nie wolno zostawiać otwartych drzwi urządzenia na dłużej, niż to jest konieczne do wyjęcia lub włożenia żywności.
 - Gdy urządzenie nie jest używane, nie należy pozostawiać żywności w zamrażarce.
 - Napoje gazowane (np. napoje bezalkoholowe, woda mineralna oraz szampan) nie powinny być przechowywane w zamrażarce; ich butelki mogą tam eksplodować. Nie należy zamrażać plastikowych butelek.
 - Nie wolno nigdy dawać dzieciom lodów prosto z zamrażarki; niska temperatura może spowodować urazy.
 - Nie należy dotykać zimnych części metalowych lub wewnętrznych ścianek urządzenia, gdyż mogą one spowodować odmrożenia.

Usuwanie usterek

Problem	Możliwe przyczyny	Środki zaradcze
1. Lampka nie świeci podczas pracy urządzenia.	Żarówka jest spalona.	Aby wymienić lampkę używaną do oświetlenia chłodziarki, prosimy wezwać autoryzowany serwis.
2. Woda gromadzi się w dolnej części chłodziarki.	Zatkany kanał odpływowy wody.	Wyczyścić kanał i rurę odprowadzania wody.
3. Urządzenie chłodnicze uruchamia się zbyt często i pracuje przez dłuższe niż normalnie okresy czasu.	- Drzwiczki urządzenia są zbyt często otwierane. - Wokół urządzenia nie ma swobodnego przepływu powietrza.	- Należy unikać niepotrzebnego otwierania drzwiczek. - Umożliwić swobodny przepływ powietrza wokół urządzenia.
4. Urządzenie nie chłodzi.	- Urządzenie zostało unieruchomione lub odłączone od zasilania elektrycznego. - Termostat ustawiony w pozycji "0" .	- Sprawdzić, czy jest prąd w sieci elektrycznej, czy nie są spalone bezpieczniki oraz czy kable wtyczki są podłączone prawidłowo. - Zmienić pozycję pokrętła termostatu z "0" na inną.

- Jeżeli urządzenie ma pozostać nie używane przez kilka dni, to nie ma potrzeby, żeby odłączyć je od zasilania. Jednak gdy przerwa ta ma trwać dłużej niż kilka dni, należy postępować w sposób następujący:
 - odłączyć urządzenie od sieci zasilającej;
 - opróżnić chłodziarkę i zamrażarkę;
 - odszronić i wyczyścić wnętrze urządzenia;
 - pozostawić drzwi otwarte, aby zapobiec powstaniu nieprzyjemnych zapachów.

W przypadku zauważenia...

- Wibracji krtek lub półek: należy sprawdzić, czy są one wstawione całkowicie do oporu, na swoje miejsce.
- Hałasy powodowane przez stykające się butelki lub pojemniki; należy pozostawić między nimi niewielki odstęp.

Dźwięki wydawane podczas pracy

Normalne dźwięki

- „Mruczenie” sprężarki podczas pracy. Głośniejszy dźwięk może być słyszany podczas zatrzymywania i uruchamiania się sprężarki.
- Bulgotanie, pomruk lub trzaski - powodowane przez czynnik chłodzący przepływający przez system chłodzenia.
- "Kliknięcie" - może być słyszane podczas włączania lub wyłączenia silnika elektrycznego przez termostat.

Rozmieszczenie żywności

Półki w komorze zamrażalnika	Różne mrożonki, np. mięso, ryby, lody, warzywa, itp.
Taca na jajka	Jajka
Półki komory chłodniczej	Potrawy w garnkach, na talerzach z pokrywkami i w zamkniętych pojemnikach
Balkoniki w drzwiczkach komory chłodniczej	Niewielkie zapakowane potrawy lub napoje (np. mleko, soki owocowe, piwo)
Pojemnik na świeże warzywa	Warzywa i owoce

Przykłady zastosowań

Białe wino, piwo i woda mineralna	schłodzić przed użyciem
Banany	nie przechowywać w chłodziarce
Ryby lub podroby	przechowywać wyłącznie w woreczkach polietylenowych
Ser	użyć pojemników hermetycznych lub woreczków polietylenowych; najlepiej wyjąć z chłodziarki na godzinę przed spożyciem.
Melony	przechowywać tylko przez krótki okres czasu, użyć hermetycznego pojemnika/ opakowania
Surowe mięso i drób	nie przechowywać razem z żywnością delikatną, taką jak potrawy gotowane lub mleko

Zalecane ustawienia

Pozycja pokrętki termostatu	Objaśnienia
2 ½	Jest to ustawienie normalne i zalecane.
1	Najniższa intensywność chłodzenia/mrożenia
5	Najwyższa intensywność chłodzenia/mrożenia
1-5	Jeśli użytkownik uważa, że w komorze chłodzenia nie jest dostatecznie zimno z powodu wysokiej temperatury otoczenia lub częstego otwierania i zamykania drzwiczek.

Odzysk opakowania

Ostrzeżenie!

Nie należy trzymać opakowań w zasięgu dzieci. Zabawa ze złożonymi kartonami lub arkuszami plastikowymi niesie ze sobą niebezpieczeństwo uduszenia się dziecka. Urządzenie to zostało zapakowane w sposób wystarczający na czas transportu. Wszystkie materiały pakunkowe zostały wyprodukowane zgodnie z przepisami ochrony środowiska i dlatego mogą być poddane odzyskowi. Prosimy o pomoc w ochronie środowiska naturalnego przez umożliwienie ponownego uzdatniania odpadów wszędzie tam, gdzie jest to możliwe.

Odzysk starego urządzenia chłodniczego

Jeżeli to urządzenie chłodnicze ma zastąpić urządzenie starsze, to prosimy przeczytać uważnie poniżej podane uwagi.

Stare urządzenia chłodnicze nie są bezużytecznymi odpadkami; usunięcie ich zgodnie z przepisami o ochronie środowiska naturalnego pozwoli na odzyskanie wielu cennych surowców wtórnych.

Z urządzeniem, którego chcemy się pozbyć należy postąpić w następujący sposób:

- odłączyć je od źródła zasilania;
- odciąć kabel zasilania;
- wymontować wszelkie zamki drzwiowe, aby ochronić dzieci przed zatrzaśnięciem się wewnątrz.

Chłodziarko-zamrażarki zawierają materiały izolacyjne i czynniki chłodnicze, które należy poddać odpowiedniej utylizacji (uzdatnieniu do ponownego użycia).

Urządzenie to zawiera czynnik chłodzący R600a, który spełnia wymogi norm ochrony środowiska. Prosimy dopilnować tego, aby nie uszkodzić obiegu chłodniczego i opróżnić z niego czynnik chłodniczy w sposób zgodny z obowiązującymi przepisami.

UWAGA!

To urządzenie jest oznaczone zgodnie z Dyrektywą Europejską 2002/96/WE oraz polską Ustawą o zużytych sprzęcie elektrycznym i elektronicznym symbolem przekreślonego kontenera na odpady.



Takie oznakowanie informuje, że sprzęt ten, po okresie jego użytkowania nie może być umieszczany łącznie z innymi odpadami pochodzącymi z gospodarstwa domowego. Użytkownik jest zobowiązany do oddania go prowadzącym zbieranie zużytego sprzętu elektrycznego i elektronicznego. Prowadzący zbieranie, w tym lokalne punkty zbiórki, sklepy oraz gminne jednostki, tworzą odpowiedni system umożliwiający oddanie tego sprzętu. Właściwe postępowanie ze zużyтым sprzętem elektrycznym i elektronicznym przyczynia się do uniknięcia szkodliwych dla zdrowia ludzi i środowiska naturalnego konsekwencji, wynikających z obecności składników niebezpiecznych oraz niewłaściwego składowania i przetwarzania takiego sprzętu.

Zgodność z dyrektywą RoHS:

Niniejszy wyrób jest zgodny z dyrektywą Parlamentu Europejskiego i Rady RoHS (Ograniczenie użycia substancji niebezpiecznych) (2011/65/ WE). Nie zawiera szkodliwych i zakazanych materiałów, podanych w tej dyrektywie.

Zużycie energii

Maksymalną ilość przechowywanych mrozonek można osiągnąć nie używając środkowej i górnej szuflady umieszczonych w komorze zamrażania. Zużycie energii przez chłodziarkę określono przy całkowicie wypełnionej komorze zamrażania i nie używając środkowej i górnej szuflady.

Rady praktyczne jak zmniejszyć zużycie energii elektrycznej

1. Upewnij się, że chłodziarka stoi w dobrze wentylowanym miejscu, z dala od źródeł ciepła (kuchenka, kaloryfer, itp.). Jednocześnie chłodziarka powinna stać tam, gdzie nie będzie narażona na bezpośrednie działanie promieni słonecznych.
2. Dbaj o to, aby żywność kupowana w stanie schłodzonej/ zamrożonej wkładać do chłodziarki możliwie najprędzej, zwłaszcza latem. Zaleca się używanie izolowanych termicznie toreb do przenoszenia żywności do domu.
3. Zalecamy rozmrażanie w komorze chłodzenia paczek wyjętych z komory zamrażalnika. W tym celu paczkę, która ma zostać rozmrożona, umieszcza się w naczyniu, aby powstała przy tym woda nie wyciekła do komory chłodzenia. Zalecamy rozpocząć rozmrażanie zamrożonej żywności na co najmniej 24 godziny przez jej użyciem.
4. Zalecamy otwierać drzwiczki najrzadziej, jak to możliwe.
5. Nie należy trzymać drzwiczek otwartych dłużej niż to konieczne i dbać o to, aby po każdym otwarciu starannie je zamykać.

Informacja dotycząca odgłosów i drgań, które mogą wystąpić przy pracy chłodziarki

1. Odgłos ten może się nasilić w trakcie pracy.
 - Aby utrzymać nastawioną temperaturę, co jakiś czas uruchamia się sprężarka chłodziarki. Odgłos sprężarki nasila się, gdy się uruchamia, zaś kiedy się wyłącza może być słychać kliknięcie.
 - Wydajność i własności użytkowe chłodziarki mogą się zmieniać wraz ze zmianami temperatury otoczenia. Jest to zupełnie normalne.
2. Odgłosy przepływu lub rozpylania płynu.
 - Odgłosy te powoduje przepływ chłodziwa w obwodzie chłodziarki i są zgodne z zasadą jej działania.
3. Inne drgania i odgłosy
 - Pewne odgłosy i drgania może powodować rodzaj i powierzchnia podłogi, na której stoi chłodziarka. Upewnij się, że podłoga jest równa i płaska oraz że nie ugina się pod ciężarem chłodziarki (jest sztywna).
 - Kolejnym źródłem odgłosów i drgań mogą być przedmioty ustawione na chłodziarce. Należy je z niej zdjąć.
 - Butelki i naczynia ustawione w chłodziarce stykają się ze sobą. W takich przypadkach przesunąć butelki i naczynia tak, aby zachować między nimi niewielki odstęp.

Blahopřejeme k výběru kvalitního spotřebiče BEKO, který je určen pro mnoho let služby.

Bezpečnost především!

Nezapojte spotřebič do napájecí sítě, dokud neodstraníte všechny obalové a přepravní materiály.

- Před zapnutím nechte nejméně 4 hodin stát, aby se usadil olej v kompresoru po přepravě v horizontální poloze.
- Pokud likvidujete starý spotřebič s zámkem nebo západkou na dveřích, ujistěte se, že je v bezpečném stavu a dětem nehrozí uvíznutí uvnitř.
- Tento spotřebič musí být používán pro stanovený účel.
- Neodkládejte spotřebič do ohně. Váš spotřebič obsahuje v izolační vrstvě látky bez CFC, které jsou hořlavé. Doporučujeme kontaktovat místní úřady pro informace o likvidaci a dostupných zařízeních.
- Nedoporučujeme používat tento spotřebič v nevytápěné chladné místnosti. (např. garáž, sklad, přístavba, kůlna, hospodářské stavení atd.)

Pro co nejlepší výkonnost a bezporuchovou službu vašeho spotřebiče je velmi důležité pozorně si přečíst tyto pokyny. Nedodržením těchto pokynů se vystavujete riziku zrušení možnosti bezplatného servisu po dobu záruční lhůty.

Uschovejte tyto pokyny na bezpečném místě pro snadné vyhledání.

Tento spotřebič by neměly používat osoby se sníženou fyzickou, senzorickou nebo mentální způsobilostí a nebo s nedostatečnými zkušenostmi a poznatky. Tyto osoby mohou spotřebič používat jen pod dohledem osoby zodpovědné za jejich bezpečnost, a nebo pokud je zodpovědná osoba poučila o správném používání spotřebiče.

Děti by měly být pod dozorem, aby si nehrály se spotřebičem.

Elektrické požadavky

Před zasunutím zásuvky do sítě se ujistěte, že napětí a kmitočet (na štítku uvnitř spotřebiče) odpovídají vašemu zdroji. Doporučujeme připojit tento spotřebič do sítě přes vhodně vypínanou a zajištěnou zásuvku na snadno dostupném místě.

Upozornění! Tento spotřebič musí být uzemněn.

Opravy elektrického vybavení by měl provádět jen kvalifikovaný technik. Nesprávné opravy provedené nekvalifikovanou osobou představují riziko, které by mohlo mít kritické dopady pro uživatele spotřebiče.

POZOR!

Tento spotřebič používá R 600a, což je plyn, který je šetrný k životnímu prostředí, ale je hořlavý. Během přepravy a upevňování výrobku je třeba dbát zvýšené opatrnosti, aby nedošlo k poškození chladicí soustavy. Pokud je chladicí soustava poškozená a ze systému uniká plyn, udržte výrobek mimo otevřený oheň a nějakou dobu v místnosti větrejte.

UPOZORNĚNÍ – Nepoužívejte mechanické nástroje nebo jiné prostředky k urychlení procesu odmrazení s výjimkou těch, které doporučuje výrobce.

UPOZORNĚNÍ – Nepoškozujte chladicí obvod.

UPOZORNĚNÍ – Nepoužívejte elektrické spotřebiče uvnitř prostor na skladování potravin spotřebiče, pokud se nejedná o typy doporučené výrobcem.

UPOZORNĚNÍ – V případě poškození napájecího kabelu je nutno jej nechat vyměnit u výrobce, jeho servisního zástupce či podobně kvalifikované osoby, aby se předešlo nebezpečí.

Pokyny pro přepravu

1. Spotřebič se smí přenášet jen ve svislé pozici. Obaly musí zůstat během přepravy neporušené.
2. Pokud byl spotřebič během přepravy umístěn vodorovně, nesmí být používán po vybalení nejméně 4 hodin, aby se systém mohl ustálit.
3. Nedodržení výše uvedených pokynů by mohlo vést k poškození spotřebiče, za které výrobce nezodpovídá.

4. Spotřebič je třeba chránit proti dešti, vlhku a jiným atmosférickým vlivům.

Důležité upozornění!

- Při čištění/přenášení spotřebiče se nedotýkejte spodní části kovových kabelů kondenzátoru na zadní straně spotřebiče, mohlo by dojít k poranění prstů a rukou.
- Nepokoušejte se stoupat nebo sedat na horní okraj spotřebiče, jelikož na toto není určen. Mohli byste se zranit nebo poškodit spotřebič.
- Ujistěte se, že napájecí kabel není zachycen pod spotřebičem během a po přesouvání, mohlo by to poškodit kabel.
- Nedovolte dětem hrát si se spotřebičem nebo manipulovat s ovladači.

Pokyny pro instalaci

1. Nepřechovávejte spotřebič v místnosti, kde může teplota klesnout pod 10°C v noci a/nebo zejména v noci, jelikož je určen na provoz v teplotách mezi +10 a +38 stupni Celsia. Při nižších teplotách nemusí spotřebič fungovat, čímž poklesne doba skladovatelnosti potravin.
2. Neumisťujte spotřebič do blízkosti sporáků nebo radiátorů nebo na přímé sluneční světlo, dojde tím ke zvýšenému napětí funkcí spotřebiče. Při instalaci v blízkosti zdroje tepla nebo mrazničky udržujte minimální odstupy po stranách:
 - Od sporáků 30 mm
 - Od radiátorů 300 mm
 - Od mrazniček 25 mm
3. Ujistěte se, že kolem spotřebiče je dostatečný odstup tak, aby se zaručil volný oběh vzduchu (**Položka 2**).
 - Umístěte zadní odvětrávací víko na zadní stranu vaší chladničky, abyste viděli vzdálenost mezi chladničkou a stěnou (**Položka 3**).
4. Spotřebič by měl být umístěn na hladkém povrchu. Obě přední nožky lze nastavit dle potřeby. Abyste měli jistotu, že váš spotřebič stojí vzpřímeně, nastavte obě přední nožky tak, že jimi otočíte doprava nebo doleva, dokud není zajištěn pevný kontakt s podlahou. Správným nastavením nožek předejdete přílišným vibracím a hluku (**Položka 4**).
5. Informace pro přípravu spotřebiče na použití naleznete v oddíle „Čištění a údržba“.

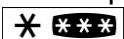

Seznámení s vaším spotřebičem

(Položka 1)

- 1 - Umístění termostatu a světla
- 2 - Nastavitelné poličky
- 3 - Police na lahve
- 4 - Kolektor vody
- 5 - Kryt přihrádek na čerstvé potraviny
- 6 - Přihrádek na čerstvé potraviny
- 7 - Prostor pro rychlé zmrazení
- 8 - Podnos na led
- 9 - Přihrádek pro uchovávání zmražených potravin
- 10 - Nastavitelná nožka
- 11 - Polička na nádoby
- 12 - Tácek na vejce
- 13 - Polička na lahve

Doporučené rozložení potravin ve spotřebiči

Návody pro optimální uskladnění a hygienu:

1. Prostor chladničky je pro krátkodobé ukládání čerstvých potravin a nápojů.
2. Prostor mrazničky je  vhodný a určený pro mrazení a skladování před-mražených potravin.
Doporučení pro  skladování dle informací na obalu potraviny by měly být vždy dodržovány.
3. Mléčné výrobky by měly být skladovány ve zvláštním prostoru ve dveřích.
4. Vařené potraviny by se měly skladovat ve vzduchotěsných nádobách.
5. Čerstvé balené výrobky lze skladovat na polici. Čerstvé ovoce a zeleninu je třeba očistit a skladovat v přihrádkách na čerstvou zeleninu.
6. Láhve lze uchovat ve dveřní části.
7. Chcete-li skladovat syrové maso, zabalte je do polyetylenových sáčků a umístěte na nejnižší polici. Nenechte je přijít do kontaktu s vařenými potravinami, aby nedošlo ke kontaminaci. Z bezpečnostních důvodů skladujte syrové maso jen dva až tři dny.
8. Pro maximální účinnost by se neměly výsuvné police překrývat papírem nebo jinými materiály, aby studený vzduch mohl volně proudit.
9. Neskladujte rostlinný olej na policích ve dveřích. Potraviny uchovávejte zabalené, chráněné nebo překryté. Teplé potraviny a nápoje nechte před zchlazením vychladnout.

Zbývající potraviny z konzerv by se neměly skladovat v konzervách.

10. Šumivé nápoje by se neměly zmrazovat a výrobky jako ochucený led do vody by se neměly konzumovat příliš studené.

11. Některé ovoce a zelenina se může poškodit, pokud se skladuje v teplotách kolem 0°C. Ananasy, melouny, okurky, rajčata a podobné produkty balte do polyetylenových sáčků.

12. Silný alkohol se musí skladovat ve vzpřímené pozici a pevně uzavřených nádobách. Nikdy neskladujte výrobky s obsahem vznětlivého pohonného plynu (např. šlehačku ve spreji, plechovky spreje atd.) nebo výbušné látky. Představují riziko výbuchu.

Kontrola a nastavení teploty

Provozní teploty kontroluje tlačítko termostatu

(Položka 5) a lze jej nastavit na jakoukoli pozici mezi 1 a 5 (nejchladnější pozice).

Průměrná teplota uvnitř chladničky by měla být kolem +5°C.

Nastavte tedy termostat tak, abyste dosáhli požadované teploty. Některé části chladničky mohou být chladnější či teplejší (např. přihrádka na uchovávání čerstvého salátu a horní část chladničky), což je naprosto normální. Doporučujeme vám kontrolovat teplotu pravidelně teploměrem, abyste měli jistotu, že chladnička stále zachovává tuto teplotu. Častým otevíráním dveří stoupnou vnitřní teploty, takže doporučujeme zavírat dvířka co nejdříve po použití.

Před zahájením provozu

Poslední kontrola

Než začnete používat spotřebič, zkontrolujte, zda:

1. Nožky byly seřízeny pro ideální rovnováhu.
2. Vnitřek je suchý a vzduch může vzadu volně cirkulovat.
3. Vnitřek je čistý dle doporučení v oddíle „Čištění a údržba“.
4. Zásuvka byla zasunuta do sítě a elektřina je zapnutá. Po otevření dvířek se rozsvítí vnitřní osvětlení.

A nezapomeňte, že:

5. Uslyšíte hluk při startování kompresoru. Kapalina a plyny uzavřené v chladicí soustavě mohou dělat další hluk, ať je kompresor v chodu, nebo není. Je to zcela normální.
6. Nepatrné zvlnění horní části chladničky je zcela normální a je způsobeno použitým výrobním procesem; nejedná se o závadu.
7. Doporučujeme nastavovat tlačítko termostatu na střed a sledovat teplotu, abyste zajistili, že spotřebič udržuje požadovanou teplotu skladování (viz oddíl Kontrola a nastavení teploty).
8. Nezaplňujte spotřebič ihned po jeho zapnutí. Počkejte na dosažení správné skladovací teploty. Doporučujeme kontrolovat teplotu přesným teploměrem (viz: Kontrola a nastavení teploty).

Skladování zmražených potravin

Vaše mraznička je vhodná na dlouhodobé uchování běžně dostupných zmražených potravin a lze ji též použít na zmrazení a uskladnění čerstvých potravin.

Dojde-li k výpadku elektrické energie, neotvírejte dveře. Zmrzlé potraviny by měly zůstat nepoškozeny, pokud závada trvá necelých 16 hodin. Pokud je výpadek delší, pak by měly být potraviny zkontrolovány a buď ihned upraveny, nebo uvařeny a pak znovu zmrazeny.

Mražení čerstvých potravin

Pro dosažení nejlepších výsledků prosím dodržujte následující pokyny. Nezmrázujte příliš velké množství najednou. Množství potravin se nejlépe uchovává, pokud se zmrazí hloubkově a co nejrychleji. Nepřekračujte mrazicí kapacitu vašeho spotřebiče na 24 hodin. Umístěním teplých potravin do mrazničky uvedete chladicí zařízení do nepřetržitého chodu, dokud nejsou potraviny zcela zmrzlé. Může tím dojít k dočasnému přílišnému zchlazení chladicího prostoru. Při zmrazování čerstvých potravin nastavte tlačítko termostatu na střední pozici. Malé množství potravin až do ½ kg lze zmrazit bez nastavování ovládacího tlačítka termostatu. Dávejte zvýšený pozor, abyste nesmísili již zmrzlé a čerstvé potraviny.

Tvorba ledových kostek

Zaplňte podnos na kostky ledu ze ¾ vodou a umístěte jej do mrazničky. Zmrzlé podnosy uvolněte koncem lžičky nebo podobným nástrojem; nepoužívejte ostré předměty, jako jsou nože nebo vidličky.

Odmrazování**A) Prostor chladničky**

Prostor chladničky se odmrazuje automaticky. Odmražená voda stéká do odčerpávací trubice přes sběrnou nádobu na zadní straně spotřebiče (**Položka 6**).

Během odmrzování se mohou na zadní stěně prostoru chladničky vytvořit kapky vody v místech, kde je umístěn odpařovač. Několik kapek může zůstat na obvodu, ty zmrznou po skončení odmrzování. Znovu zmrzlé kapky neodstraňujte špičatými nebo ostrými předměty, jako jsou nože nebo vidličky.

Pokud se kdykoli odmrážená voda neodčerpává ze sběrného kanálu, zkontrolujte, zda odčerpávací trubici neblokuje částí potravin. Odčerpávací trubici lze vyčistit čističem potrubí nebo podobným nástrojem. Zkontrolujte, zda je hadice neustále umístěná koncem v sběrném tácu na kompresoru, aby nedošlo k rozlití vody na elektrickou instalaci nebo zem (**položka 7**).

B) Prostor mrazničky

Odmrazování je velmi jednoduché a bez nečistot díky zvláštní nádržce pro sběr odmrážené vody.

Odmrazujte dvakrát ročně nebo tehdy, když se vytvoří vrstva námrazy asi 7 mm. Pro spuštění procesu odmrzování vypněte přístroj ze sítě.

Všechny potraviny zabalte do několika vrstev novinového papíru a uskladněte na chladném místě (např. chladnička nebo spíž).

Nádoby s teplou vodou lze umístit opatrně do mrazničky, urychlí se tím odmrzování.

Námrazu neodstraňujte špičatými nebo ostrými předměty, jako jsou nože nebo vidličky.

Nepoužívejte sušiče na vlasy, elektrické radiátory nebo jiné elektrické spotřebiče na odmrážení.

Odmraženou vodu setřete houbičkou ze dna prostoru mrazničky. Po odmražení pečlivě vnitřek vysušte (**Položky 8 a 9**). Zasuňte zásuvku do sítě a zapněte přívod elektrické energie.

Výměna vnitřní žárovky

Za účelem výměny žárovky osvětlení v chladničce prosím kontaktujte Autorizovaný servis.

Lampa (y) použité v tomto přístroji nejsou vhodné pro osvětlení místnosti domácnosti.

Zamýšlený účel tohoto svítidla je pomoci uživateli umístit potraviny do chladničky / mrazničky bezpečně a pohodlně.

Žárovky použité v tomto spotřebiči musí vydržet extrémní fyzické podmínky, např. teploty pod -20°C.

Čištění a péče

1. Doporučujeme vypnout přístroj ze sítě a vyjmout hlavní zásuvku, než přistoupíte k čištění.

2. Nikdy nepoužívejte ostré předměty či brusné látky, mýdlo, domovní čistič, odmašťovač či voskové čisticí.

3. Používejte vlažnou vodu pro vyčištění skříně a otřete ji pak dosucha.

4. Používejte vlhký hadřík namočený do roztoku jedné čajové lžičky sody bikarbony na půl litru vody na vyčištění vnitřku, pak jej dosucha otřete.

5. Ujistěte se, že do skříně pro kontrolu teploty nepronikne žádná voda.

6. Pokud spotřebič delší dobu nebudete používat, vypněte jej, vyjměte všechny potraviny, vyčistěte jej a nechte dveře otevřené.

7. Doporučujeme vyčistit kovové součásti výrobku (např. vnější část dvířek, posuvné části) silikonovým voskem (autoleštidlem) pro ochranu vysoce kvalitního povrchového nátěru.

8. Prach, který se usadí na kondenzátoru, který je umístěn na zadní straně spotřebiče, by měl být jednou ročně odstraněn vysavačem.

9. Pravidelně kontrolujte těsnění dvířek, abyste zajistili jejich čistotu a nezanesení částečkami potravin.

10. Nikdy:

- Nečištějte spotřebič nevhodnými materiály; tzn. výrobky na bázi petroleje.
- Nevystavujte spotřebič vysokým teplotám.
- Nedrhňte, nebruste atd. brusnými materiály.

11. Odstranění krytu mléčných výrobků a dveřního podnosu:

- Pro odstranění krytu mléčných výrobků nejprve zvedněte kryt asi o 2,5 cm nahoru a vytáhněte jej ze strany, kde je v krytu otvor.
- Pro odstranění dveřního podnosu odstraňte všechny obsah a pak jen zvedněte dveřní podnos vzhůru ze základny.

12. Ujistěte se, že zvláštní plastová nádoba na zadní straně spotřebiče, která shromažďuje odmraženou vodu, je neustále čistá. Pokud chcete odstranit podnos a vyčistit jej, postupujte podle níže uvedených pokynů:

- Vypněte přístroj a odpojte napájecí kabel.
- Jemně odpojte čep na kompresoru pomocí kleští, aby bylo možné táč vyjmout.
- Zvedněte jej.
- Očistěte jej a otřete.
- Při montáži postupujte v opačném pořadí.

13. Pro vyjmutí zásuvky ji vytáhněte co nejdále, nadzvedněte ji a pak ji zcela vytáhněte ven.

Výměna dvířek

Postupujte v číselném pořadí (**Položka 10**).

Co dělat a co nedělat

- Ano-** Pravidelně čistěte a odmrazujte spotřebič (viz „Odmrazování“)
- Ano-** Syrové maso a drůbež skladujte pod vařenými potravinami a mléčnými výrobky.
- Ano-** Otrhávejte ze zeleniny nepoužitelné lístky a otírejte přebytečnou zeminu.
- Ano-** Nechte salát, zelí, petržel a květák na stonku.
- Ano-** Sýr balte do nepropustného papíru a pak do polyetylénového sáčku tak, aby uvnitř zůstalo co nejméně vzduchu. Nejlepší je jej vyjmout z chladničky asi hodinu před podáváním.
- Ano-** Obalte syrové maso těsně do polyetylénu nebo alobalu. Zabráníte tím vysušení.
- Ano-** Balte ryby a vnitřnosti do polyetylénových sáčků.
- Ano-** Balte potraviny se silným aroma nebo ty, které by mohly vyschnout, do polyetylénových sáčků, alobalu nebo je ukládejte do vzduchotěsných nádob.
- Ano-** Chléb dobře zabalte, aby zůstal čerstvý.
- Ano-** Bílé víno, pivo, ležák a minerální vodu před podáváním vychladte.
- Ano-** Průběžně kontrolujte obsah mrazničky.
- Ano-** Uchovávejte potraviny co nejkratší dobu a dodržujte jejich lhůtu spotřeby atd.
- Ano-** Již zmrazené potraviny skladujte v souladu s instrukcemi uvedenými na jejich obalech.
- Ano-** Vždy si vybírejte kvalitní čerstvé potraviny a před jejich zmrazením se ujistěte, zda jsou zcela čisté.
- Ano-** Připravte čerstvé potraviny na zmrazení v malých částech, abyste zajistili rychlé zmrazení.
- Ano-** Zabalte všechny potraviny do alobalu nebo polyetylénových sáčků vhodných pro mrazení potravin a ujistěte se, že uvnitř není žádný vzduch.
- Ano-** Zmrazené potraviny obalte ihned po zakoupení a co nejrychleji je vložte do mrazničky.
- Ano-** Potraviny rozmrazujte v chladničce.
- Ne-** skladujte banány v chladničce.
- Ne-** skladujte melouny v chladničce. Lze je zchladit na krátkou dobu, dokud jsou zabaleny, aby nemohly ovlivnit svým aroma jiné potraviny.
- Ne-** zakrývejte police ochrannými materiály, které by mohly bránit v cirkulaci vzduchu.
- Ne-** skladujte ve spotřebiči jedovaté nebo nebezpečné látky. Byl určen na skladování jen jedlých potravin.
- Ne-** konzumujte potraviny, které byly zmrazeny po příliš dlouhou dobu.
- Ne-** skladujte vařené a čerstvé potraviny společně ve stejné nádobě. Měly by být zabaleny a uskladněny zvlášť.
- Ne-** nechte rozmrazované potraviny nebo šťávy potravin kapat na potraviny.
- Ne-** nechte dveře otevřené delší dobu, provoz spotřebiče se tím prodraží a dojde k nadbytečné tvorbě ledu.
- Ne-** používejte ostré předměty jako nože nebo vidličky na odstranění ledu.
- Ne-** vkládejte do spotřebiče teplé potraviny. Nechte je nejprve vychladnout.
- Ne-** vkládejte lahve s kapalinou nebo zavřené plechovky s perlivými kapalinami do mrazničky, mohly by explodovat.
- Ne-** překračujte maximální náplň mrazničky při zmrazování čerstvých potravin.
- Ne-** dávejte dětem zmrzlinu a led do vody přímo z mrazničky. Nízká teplota může způsobit na rtech „popáleniny od mrazu“.
- Ne-** zmrazujte šumivé nápoje.
- Ne-** snažte se uchovat zmrzlé potraviny, které rozmrzly; měli byste je sníst do 24 hodin, nebo uvařit a znovu zmrazit.
- Ne-** odstraňujte předměty z mrazničky mokřýma rukama.

Spotřeba energie

Maximální objem pro mražené potraviny dosáhnete bez použití střední přihrádky a krytu horní police v prostoru mrazničky. Spotřeba energie vašeho spotřebiče je uváděna za situace, kdy je prostor mrazničky plně naplněn bez použití střední přihrádky a krytu horní police.

Praktické rady ohledně snižování spotřeby elektřiny.

1. Zajistěte, aby byl spotřebič umístěn na řádně odvětraném místě, mimo zdroje tepla (sporák, radiátor, atd.). Současně musí být umístění spotřebiče provedeno tak, aby nebyl na přímém slunečním světle.
2. Zajistěte, aby potraviny, které zakoupíte v chlazeném/zmrazeném stavu, byly umístěny do spotřebiče co nejdříve, zejména v létě. Doporučujeme používat tepelně izolované tašky pro přepravu potravin domů.
3. Doporučujeme rozmrazovat balíčky vytažené z mrazničky v prostoru chladničky. Přitom umístěte balíček, který chcete rozmrazit, do nádoby tak, aby voda z rozmrazení neunikala do prostoru chladničky. Doporučujeme zahájit rozmrazování nejméně 24 hodin před použitím zmražené potraviny.
4. Snižte otevírání dveří na minimum.
5. Nenechávejte dvířka spotřebiče otevřená déle než nezbytně dlouho a zajistěte, aby byla dvířka po každém otevření řádně uzavřena.

Informace týkající se hlučnosti a vibrací, které se mohou objevit při provozu spotřebiče

1. Provozní hluk se může při provozu zvýšit.
 - Aby teplota zůstala na nastavených hodnotách, kompresor spotřebiče se spouští pravidelně. Hluk od kompresoru je hlasitější, když se spustí, a po jeho zastavení je slyšet cvaknutí.
 - Výkon a provozní vlastnosti spotřebiče se mohou měnit podle úprav teploty okolního prostředí. Musejí být považovány za normální.
2. Hluky připomínající tekoucí kapalinu nebo postřik
 - Tyto zvuky způsobuje proudění chladicího média v obvodu spotřebiče a jsou v souladu s provozními zásadami spotřebiče.

3. Další vibrace a zvuky.
 - Intenzita zvuku a vibrací může být ovlivněna typem a stavem podlahy, na které je spotřebič umístěn. Zkontrolujte, zda na podlaze nejsou značné výkyvy v úrovni, nebo zda unese hmotnost spotřebiče (je pružná).
 - Dalším zdrojem hluku a vibrací jsou předměty umístěné na spotřebiči. Tyto předměty je nutno ze spotřebiče odstranit
 - Lahve a nádoby v chladničce se dotýkají. V tomto případě rozmístěte lahve a nádoby tak, aby mezi nimi byla malá vzdálenost.

Odstraňování potíží


Pokud spotřebič po zapnutí nefunguje, zkontrolujte;

- Zda je zásuvka správně zasunutá do sítě a je zapnutý přívod elektrické energie. (Pro kontrolu napětí v zásuvce do ní zapojte další spotřebič).
- Zda není vyhozená pojistka/se neaktivoval přerušovač obvodu/hlavní jistič není vypnutý. Zda byla správně nastavena funkce ovládání teploty.
- Zda je nová zásuvka správně propojená, pokud jste změnili osazenou tvarovanou zásuvku.

Pokud spotřebič po provedení těchto kontrol stále nefunguje, kontaktujte prodejce, u něhož jste přístroj zakoupili.

Proveďte prosím všechny výše uvedené kontroly, v případě nezjištění závady bude kontrola zpoplatněna.



Symbol  na výrobku nebo na obalu upozorňuje na skutečnost, že spotřebič nepatří do běžného domácího odpadu. Místo toho je třeba jej odevzdat do speciální sběrný odpadu na recyklování elektrických a elektronických zařízení. Vaší podporou správné likvidace pomáháte zabránit potenciálně negativním vlivům na životní prostředí a lidské zdraví, které by jinak nesprávná likvidace výrobku mohla způsobit. Další informace a recyklování tohoto spotřebiče získáte na místním úřadě, ve sběrně odpadu nebo u prodejce, kde jste spotřebič zakoupili.

Blahoželáme k Vášmu výberu BEKO kvalitného spotrebiča, navrhnutého tak, aby Vám slúžil veľa rokov.

Bezpečnosť nadovšetko!

Nezapájajte spotrebič do elektrickej siete, kým nie sú odstránené baliace a ochranné prostriedky.

- Nechajte spotrebič stáť minimálne 4 hodiny pred tým, ako ho zapnete, aby sa olej v kompresore usadil, ak bol prepravovaný horizontálne.

- Ak znehodnocujete starý spotrebič, jeho zámok alebo závoru uspošobení k dverám, uistite sa, že sú odstránené bezpečným spôsobom, aby ste predišli tomu, že sa dnu zamknú deti.

- Tento spotrebič musí byť výlučne použitý pre navrhnutý účel.

- Nevystavujte spotrebič ohňu. Spotrebič neobsahuje CFC substancie v izolácií, ktoré sú horľavé. Navrhujeme vám kontaktovať miestne úrady pre informácie na disponovanie a využitie zariadenia.

- Neodporúčame využívať toto zariadenie v nevykurovanej, studenej miestnosti. (napr.: garáž, sklad, prístavba, prístrešok, na vonku, atď...)

Aby ste dosiahli najlepší možný výkon a bezproblémový chod spotrebiča, je veľmi dôležité podrobne si prečítať tento návod. Nedodržanie týchto pokynov môže zrušiť vaše právo na bezplatný servis počas záručnej doby.

Uchovajte tieto pokyny na bezpečnom mieste pre ľahšie použitie.

Originálne náhradné súčiastky budú dodávané po dobu 10 rokov od kúpy výrobku.

Tento spotrebič by nemali používať osoby so zníženou fyzickou, sensorickou alebo mentálnou spôsobilosťou alebo s nedostatočnými skúsenosťami a poznatkami. Tieto osoby môžu spotrebič používať len pod dohľadom osoby zodpovednej za ich bezpečnosť, alebo ak ich zodpovedná osoba poučila o správnom používaní spotrebiča.

Deti by mali byť pod dozorom, aby sa nehrali so spotrebičom.

Elektrické požiadavky

Pred zasunutím zástrčky do zásuvky v stene sa uistite, že napätie a frekvencia uvedené na výkonovom štítku zodpovedajú zásobovaniu elektrickou energiou.

Odporúčame aby toto zariadenie bolo zapojené do elektrickej sústavy cez vhodnú zásuvku so spínačom v ľahko dostupnej pozícii.

Varovanie! Tento spotrebič musí byť uzemnený.

Opravy tohto zariadenia by mal vykonávať kvalifikovaný technik. Nesprávne opravy vykonané nekvalifikovanou osobou prinášajú riziko nepriaznivých následkov pre užívateľa zariadenia.

POZOR!

Tento spotrebič pracuje s plynom R 600a, ktorý je ekologicky nezávadný, ale horľavý. Počas prepravy a zostavovania produktu dbajte na to, aby ste nepoškodili chladiaci systém. Ak je poškodený chladiaci systém a unikol zo systému plyn, držte zariadenie mimo otvoreného ohňa a na chvíľu vyvetrajte miestnosť.

VAROVANIE – Nepoužívajte mechanické prístroje alebo iné prostriedky na urýchľovanie rozmrazovacieho procesu, inak ako odporúča výrobca.

VAROVANIE – Nepoškodte chladiaci okruh.

VAROVANIE – Nepoužívajte elektrické zariadenia vo vnútri priestoru na potraviny, iba ak ide o typy odporúčané výrobcom.

VAROVANIE – Ak je sieťový kábel poškodený, je potrebné, aby ho vymenil výrobca, servisný agent alebo podobne kvalifikovaná osoba, vyhnite sa tak možnému nebezpečenstvu.

Prepravné pokyny

1. Spotrebič musí byť prepravovaný výlučne vo vertikálnej polohe. Obal musí počas prepravy ostať neporušený.

2. Ak bol spotrebič počas prepravy v horizontálnej polohe, nesmiete ho uvádzať do prevádzky najbližšie 4 hodiny, aby sa systém ustálil.

3. Nedodržanie vyššie uvedených pokynov by mohlo mať za následok poškodenie spotrebiča, za ktoré výrobca nebude niesť zodpovednosť.

4. Spotrebič musí byť chránený proti dažďu, vlhkosti a iným poveternostným vplyvom.

Dôležité!

- Kladte dôraz na opatrnosť počas čistenia/údržby spotrebiča, nedotýkajte sa spodku chladiacich kovových vedení na zadnej strane spotrebiča, mohlo by vám to spôsobiť úraz prstov a rúk.
- Nepokúšajte sa sadieť alebo stáť na vrch zariadenia, pretože nie je navrhnuté pre takéto použitie. Mohli by ste sa poraniť alebo poškodiť zariadenie.
- Uistite sa, že elektrický kábel nie je pricviknutý pod zariadením počas presúvania a po presunutí, mohlo by to poškodiť kábel.
- Nedovoľte deťom hrať sa so zariadením alebo s ovládačmi.

Inštalčné pokyny

1. Nedržte spotrebič v miestnosti, kde teplota v noci pravdepodobne klesne pod 10 stupňov C (50 stupňov F) a/alebo hlavne v zime, pretože je navrhnutý na prevádzku pri vonkajších teplotách medzi +10 až +38 stupňov C (50 až 100 stupňov F). Pri nižších teplotách spotrebič nemusí fungovať, čoho dôsledkom je zníženie doby skladovania potravín.

2. Neumiestnite spotrebič blízko pri sporákoch alebo radiátoroch alebo pri priamom slnečnom svetle, pretože to spôsobí mimoriadne poškodenie funkcií spotrebiča. Ak je nainštalovaný pri zdroji tepla alebo mrazničke, zachovajte nasledujúce minimálne bočné vôle:

Od sporákov 30 mm

Od radiátorov 300 mm

Od mrazničiek 25 mm

3. Uistite sa, že okolo spotrebiča je dostatočný priestor na zabezpečenie voľnej cirkulácie vzduchu (**Položka 2**).

• K zadnej časti chladničky položte zadný vetrací kryt na nastavenie vzdialenosti medzi chladničkou a stenou (**Položka 3**).

4. Spotrebič by sa mal umiestniť na hladký povrch. Dve predné nohy sa dajú nastaviť podľa požiadaviek. Aby ste zabezpečili, že váš spotrebič stojí rovno, nastavte dve predné nohy otočením v smere alebo proti smeru hodinových ručičiek, kým sa nezabezpečí pevný kontakt s podlahou.

Správne nastavenie nôh bráni nadmernej vibrácii a hluku (**Položka 4**).

5. Odkazujeme na časť „Čistenie a údržba“, kde nájdete popis, ako pripraviť spotrebič na používanie.

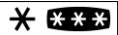

Poznávanie spotrebiča

(Položka 1)

- 1 - Termostat a kryt svetidla
- 2 - Nastaviteľné poličky
- 3 - Držiak fliaš
- 4 - Zberač vody
- 5 - Kryt priehradky
- 6 - Priehradok
- 7 - Priestor pre rýchle zmrazovanie
- 8 - Tácka na ľad
- 9 - Priestory pre uchovávanie mrazených potravín
- 10 - Nastaviteľná noha
- 11 - Polička pre nádoby
- 12 - Držiak na vajička
- 13 - Polička pre fľaše

Navrhnuté rozmiestnenie potravín v spotrebiči

Pokyny na dosiahnutie optimálneho skladovania a hygieny:

1. Priestor chladničky je pre krátkodobé skladovanie čerstvých potravín a nápojov.
2. Priestor mrazničky je  predpísaný a vhodný na mrazenie a skladovanie predmrazených potravín. Odporúčanie pre  skladovanie uvedené na obale potravín, by sa malo vždy dodržať.
3. Mliekarenské výrobky by sa mali skladovať v špeciálnej priehradke vo vložke dvier.
4. Varené jedlá by sa mali skladovať vo vzduchotesných nádobách.
5. Čerstvé zabalené výrobky sa môžu uchovávať na poličke. Čerstvé ovocie a zelenina by sa mali umyť a uskladniť v špeciálnych priehradkách.
6. Fľaše sa môžu držať v časti dvier.
7. Surové mäso zabaľte do polyetylénových vreciek a položte na najspodnejšiu poličku. Zabráňte kontaktu s varenými potravinami, aby ste sa vyhli kontaminácii. Z bezpečnostných dôvodov skladujte surové mäso len dva až tri dni.

8. Pre maximálnu účinnosť by odnímateľné poličky nemali byť pokryté papierom, či iným materiálom, aby sa umožnila voľná cirkulácia chladného vzduchu.

9. Na dverových poličkách neskladujte rastlinný olej. Potraviny skladujte zabalené alebo zakryté. Horúce potraviny a nápoje pred vložením do chladničky ochlaďte. Zvyšné konzervované potraviny by sa nemali skladovať v konzerve.

10. Šumivé nápoje by sa nemali zmrazovať a výrobky ako ochutené vodové zmrzliny by sa nemali konzumovať príliš studené.

11. Niektoré druhy ovocia a zeleniny sa poškodia, ak sa uchovávajú pri teplotách blížiacich sa 0°C. Preto baľte ananásy, melóny, uhorky, paradajky a podobné produkty do polyetylénových sáčkov.

12. Vysokostupňový alkohol sa musí uskladňovať vo vertikálnej polohe v tesno uzavretých nádobách. Nikdy neskladujte produkty, ktoré obsahujú horľavý stlačený plyn (napr. dávkovače šľahačky, postrekovacie konzervy, atď.) alebo výbušné látky. Predstavujú nebezpečenstvo výbuchu.

Riadenie a nastavenie teploty

Prevádzkové teploty sa riadia ovládačom termostatu (**položka 5**) a môžu sa nastaviť do akejkoľvek polohy medzi 1 a 5 (najchladnejšia poloha).

Priemerná teplota vo vnútri chladničky by mala byť okolo +5°C (+41°F).

Nastavte preto termostat tak, aby ste dosiahli požadovanú teplotu. Niektoré časti chladničky môžu byť chladnejšie alebo teplejšie (ako napríklad priehradka na šalát a vrchná časť vitríny), čo je celkom normálne. Odporúčame vám, aby ste pravidelne kontrolovali teplotu teplomerom. Tak zabezpečíte, že vitrina sa udržiava pri tejto teplote. Časté otváranie dvier spôsobuje zvýšenie vnútornej teploty, preto sa odporúča zatvoriť dvere čo možno najskôr po použití.

Pred prevádzkou**Záverečná kontrola**

Pred začatím používania spotrebiča skontrolujte, či:

1. Sú nohy nastavené do úplného vyrovnaní.
2. Vnútro je suché a vzduch môže voľne cirkulovať vzadu.
3. Vnútro je čisté podľa odporúčania v časti „Čistenie a údržba“.
4. Zástrčka je vsunutá do zásuvky v stene a elektrina je zapnutá. Keď sa otvoria dvere, vnútorné svetlo sa zapne.

A všimnite si, že:

5. Budete počuť zvuk pri zapnutí kompresora. Aj kvapalina a plyny utesnené v chladiacom systéme môžu vydávať nejaký zvuk, či kompresor je alebo nie je v prevádzke. To je dosť normálne.
6. Mierne zvlhnenie na vrchu vitríny je normálne a spôsobené použitým výrobným procesom, nie je to chyba.
7. Odporúčame nastavenie ovládača termostatu do stredu a monitorovať teplotu, aby sa zaistilo, že spotrebič udržiava požadovanú teplotu skladovania (Pozri časť Riadenie a nastavenie teploty).
8. Nenaplňte spotrebič hneď po zapnutí. Počkajte, kým sa nedosiahne správna teplota skladovania. Odporúčame skontrolovať teplotu presným teplomerom (Pozri časť Riadenie a nastavenie teploty)

Skladovanie mrazených potravín

Vaša mraznička je vhodná na dlhodobé skladovanie komerčne zmrazených potravín a môže sa použiť aj na mrazenie a skladovanie čerstvých potravín.

Ak došlo k výpadku prúdu, neotvárajte dvere. Mrazené potraviny by sa nemali poškodiť, ak výpadok trvá menej ako 16 hodín. Ak je výpadok dlhší, potraviny by sa mali skontrolovať a buď okamžite zjesť alebo uvariť, a potom znova zmraziť.

Mrazenie čerstvých potravín

Dodržiavajte nasledujúce pokyny, aby ste dosiahli najlepšie výsledky.

Nemrazte príliš veľké množstvo naraz. Kvalita potravín sa najlepšie zachová, keď sa mrazia správne až do vnútra čo možno najrýchlejšie.

Neprekračujte zmrazovací výkon vášho spotrebiča v 24 h.

Vloženie teplých potravín do priestoru mrazničky spôsobuje, že chladiaci stroj funguje neustále, až kým potraviny nie sú pevne zmrazené. To môže dočasne viesť k nadmernému chladeniu priestoru chladničky.

Pri zmrazovaní čerstvých potravín udržiajte termostatu v strednej polohe. Malé množstvá potravín do 3 kg sa môžu mraziť bez nastavenia riadenia teploty.

Buďte zvlášť opatrní a nemiešajte mrazené a čerstvé potraviny.

Tvorba kociek ľadu

Naplňte podnos na kocky ľadu vodou a vložte ho do mrazničky. Zamrznuté podnosy uvoľnite rúčkou lyžice alebo podobným nástrojom; nikdy nepoužívajte predmety s ostrými hranami, ako nože alebo vidličky.

Rozmrazovanie**A) Priestor mrazničky**

Priestor mrazničky rozmrazuje automaticky. Odmrazená voda steká do výtokového potrubia cez zbernú nádrž na zadnej strane spotrebiča (**Položka 6**).

Počas rozmrazovania sa môžu vytvárať kvapky vody na zadnej strane priestoru chladničky, kde sa nachádza skrytý výparník. Niektoré kvapky môžu zostať na vložke a znovu zamrznúť, keď sa rozmrazovanie dokončí. Na odstraňovanie kvapiek, ktoré znovu zamrzli, nepoužívajte špicaté predmety ani predmety s ostrou hranou, ako nože alebo vidličky.

Ak sa, kedykoľvek, odmrazená voda nevypustí zo zberného kanála, skontrolujte, či čiastočky potravín neupchali výtokové potrubie. Výtokové potrubie môžete vyčistiť čističom trubiek alebo podobným nástrojom. Skontrolujte, či je trubka permanentne umiestnená koncom v zbernom podnose na kompresore, aby sa zabránilo rozliatiu vody na elektroinštaláciu alebo na podlahu (**Položka 7**).

B) Priestor mrazničky

Rozmrazovanie je veľmi priamočiare a bez zmätkov vďaka špeciálnej rozmrazovacej zbernej miske.

Rozmrazovanie dvakrát do roka alebo keď sa vytvorila namrznutá vrstva asi 7 (1/4") mm. Pri začatí rozmrazovacieho postupu vypnite spotrebič zo zásuvky a vytiahnite zástrčku. Všetky potraviny by mali byť zabalené do niekoľkých vrstiev novín a skladované na chladnom mieste (napr. v chladničke alebo v komore).

Nádrže teplej vody sa môžu opatrne položiť do mrazničky na urýchlenie rozmrazovania.

Na odstránenie námrazy nepoužívajte špicaté predmety ani predmety s ostrou hranou, ako nože alebo vidličky.

Na rozmrazovanie nikdy nepoužívajte sušiče vlasov, elektrické ohrievače alebo iné elektrické spotrebiče.

Odsajte rozmrazenú vodu zhromaždenú na dne priestoru mrazničky. Po rozmrazení starostlivo osušte interiér (**Položka 8 a 9**).

Vložte zástrčku do zásuvky v stene a zapnite dodávku elektriny.

Výmena žiarovky vnútorného svetla

Ak chcete vymeniť lampu použitú na osvetlenie vašej chladničky, zavolajte do autorizovaného servisu.

Lampa(y) použité v tomto prístroji nie sú vhodné pre osvetlenie miestnosti domácnosti.

Zamýšľaný účel tohto svietidla je pomôcť užívateľovi umiestniť potraviny do chladničky/mrazničky bezpečne a pohodlne.

Žiarovky použité v tomto spotrebiči musí vydržať extrémne fyzické podmienky, napr. teploty pod -20°C.

Čistenie a údržba

1. Pred čistením odporúčame vypnúť spotrebič zo zástrčky a odtiahnuť elektrickú šnúru.

2. Nikdy na čistenie nepoužívajte žiadne ostré predmety alebo brúsne látky, mydlo, domáce čistidlá, detergenty alebo voskové politúry.

3. Použite teplú vodu na čistenie spotrebiča a vytrite ho do sucha.

4. Použite sacie plátno a rozmiešajte roztok jednej čajovej lyžičky sódy bikarbóny a pol litra vody. Umyte interiér a vytrite do sucha.

5. Uistite sa, či sa do krytu termostatu nedostala voda.

6. Ak sa spotrebič nechystáte používať dlhšie obdobie, vypnite ho, odstráňte všetky potraviny, vyčistite ho a nechajte dvere pootvorené.

7. Odporúčame vyleštiť kovové časti interiéru (napr.: dvere, mriežky...) so silikónovým voskom (leštidlo na karosériu) na ochranu farbených častí.

8. Všetok prach, ktorý sa nazbiera na chladiči, ktorý je umiestnený na zadnej strane spotrebiča, by sa mal odstrániť vysávačom raz ročne.

9. Skontrolujte tesnenie dverí či je čisté a zbavené čiastočiek potravín.

10. Nikdy :

- Nečistite spotrebič s nevhodnými materiálmi; ako sú ropné produkty.
- Nepodrobujte ho vysokým teplotám,
- Neleštite, neutierajte atď. s brúsnyimi materiálmi.

11. Odstránenie mliečneho krytu a zásobníka dvier:

- Ak chcete odstrániť mliečny kryt, najprv zdvihnite kryt do výšky asi jedného palca a stiahnite ho zo strany, kde je otvor na kryte.
- Ak chcete odstrániť zásobník dvier, vyberte celý obsah, a potom jednoducho posuňte zásobník dvier hore z podkladu.

12. Uistite sa, či je špeciálna plastická nádoba na zadnej strane spotrebiča, ktorá zbiera vodu po rozmrazovaní, stále čistá. Ak chcete vybrať nádobu a vyčistiť ju, postupujte podľa nasledujúcich pokynov:

- Vypnite spotrebič zo zásuvky a odtiahnite elektrický kábel.
- Jemne vytiahnite spojovací prvok na kompresore, použitím klieští tak, že sa nádoba bude dať vybrať
- Zdvihnite ju hore.
- Vyčistite a utrite do sucha

• Podobne postupujte pri spätnej operácii

13. Ak chcete odstrániť zásuvku, vytiahnite ju tak ďaleko, ako je to možné, nakloňte ju nahor, a potom úplne vytiahnite.

Premiestnenie dvier

Vysvetlené v poradí (Položka 10).

Čo sa má a čo sa nesmie robiť

Urobte- Pravidelne čistite a odmrázajte váš spotrebič (Pozri „Rozmrazovanie“)

Urobte- Skladujte surové mäso a hydinu pod varenými potravinami a mliekarenskými výrobkami.

Urobte- Odstráňte nepoužiteľné listy na zelenine a odstráňte zem.

Urobte- Nechajte šalát, kapustu, petržlen a karfiol na stonke.

Urobte- Syr najprv zabaľte do papiera odolného voči tukom, a potom do polyetylénového sáčku, pričom odstráňte čo možno najviac vzduchu. Pre najlepšie výsledky vyberte z priestoru chladničky hodinu pred jedením.

Urobte- Zabaľte surové mäso a hydinu voľne do polyetylénovej alebo hliníkovej fólie. Zabraňuje to vysušeniu.

Urobte- Ryby a omrvinky zabaľte do polyetylénových sáčkov.

Urobte- Potraviny so silnou vôňou alebo tie, ktoré môžu vyschnúť, zabaľte do polyetylénových sáčkov alebo hliníkovej fólie alebo ich uložte do vzduchotesnej nádoby.

Urobte- Chlieb dobre zabaľte, aby sa udržal čerstvý.

Urobte- Biele vína, pivo, svetlé pivo a minerálku pred podávaním vychladte.

Urobte- Často kontrolujte obsah chladničky.

Urobte- Uchovávajúce potraviny čo najkratší čas a dodržujte dátumy "Spotrebovať pred" a „Použiť do“, atď.

Urobte- Skladujte komerčne zmrazené potraviny v súlade s pokynmi uvedenými na obale.

Urobte- Vždy si vyberajte vysokokvalitné čerstvé potraviny a uistite sa, že sú pred mrazením starostlivo čisté.

Urobte- Pripravujte čerstvé potraviny na mrazenie v malých porciách, aby sa zabezpečilo rýchlo mrazenie.

Urobte- Baľte všetky potraviny do hliníkovej fólie alebo kvalitných mraziarenských polyetylénových sáčkov a uistite sa, že je vylúčený akýkoľvek vzduch.

Urobte- Zabaľte mrazené potraviny okamžite po nákupe a vložte ich čo najskôr do mrazničky.

Urobte- Potraviny rozmrazujte v priestore chladničky.

Nerobte- Neskladujte banány v priestore chladničky.

Nerobte- V chladničke neskladujte melón. Môže sa schladiť na krátky čas, pokiaľ je zabalený, aby sa zabránilo páchnutiu iných potravín.

Nerobte- Neprikrývajte poličky žiadnymi ochrannými materiálmi, ktoré môžu zabrániť cirkulácii vzduchu.

Nerobte- V spotrebiči neskladujte jedovaté alebo iné nebezpečné látky. Spotrebič bol navrhnutý len na skladovanie jedlých potravín.

Nerobte- Nekonzumujte potraviny, ktoré boli v chladničke nadmerne dlhý čas.

Nerobte- Neskladujte varené a čerstvé potraviny spolu v tej istej nádobe. Mali by byť oddelene zabalené a uskladnené.

Nerobte- Nenechajte rozmrazené potraviny alebo šťavy odkvapkávať na ostatné potraviny.

Nerobte- Nenechávajte dvere otvorené dlhý čas, pretože to spôsobí drahšiu prevádzku spotrebiča a nadmernú tvorbu ľadu.

Nerobte- Na odstránenie ľadu nepoužívajte predmety s ostrými hranami, ako nože alebo vidličky.

Nerobte- Nevkladajte do spotrebiča horúce potraviny. Najprv ich nechajte vychladnúť.

Nerobte- Do mrazničky nevkladajte fľaše s kvapalinami alebo uzavreté konzervy obsahujúce sódové kvapaliny, pretože môžu vybuchnúť.

Nerobte- Neprekračujte maximálne mraziace nosnosti pri mrazení čerstvých potravín.

Nerobte- Nedávajte deťom zmrzlinu a vodové zmrzliny priamo z mrazničky. Nízka teplota môže spôsobiť omrzliny na perách.

Nerobte- Nezmrazujte šumivé nápoje.

Nerobte- Nepokúšajte sa skladovať mrazené potraviny, ktoré sa rozpustili, mali by sa zjesť do 24 hodín alebo uvariť a znovu zmraziť.

Nerobte- Nevyberajte tovar z mrazničky mokrymi rukami.

Spotreba energie

Maximálny úložný objem mrazených potravín dosiahnete ak vyberiete strednú a hornú zásuvku nachádzajúcu sa v priečinku mrazničky. Spotreba energie vášho spotrebiča sa deklaruje pri úplnom naplnení priečinka mrazničky bez použitia strednej a hornej zásuvky.

Praktické rady týkajúce sa zníženia spotreby elektrickej energie

1. Ubezpečte sa, že sa spotrebič nachádza v dobre vetranej oblasti, ďaleko od akýchkoľvek zdrojov tepla (sporák, radiátor a pod.) Poloha spotrebiča musí zároveň zabraňovať priamemu kontaktu so slnečným žiarením.
2. Ubezpečte sa, že potraviny zakúpené v chladenom/zamrazenom stave do spotrebiča umiestnite čo možno najskôr, najmä v lete. Na prenos potravín domov odporúčame použitie tepelne izolovaných tašiek.
3. Rozmrazovanie balíkov vybratých z priečinka mrazničky vám odporúčame vykonávať v priečinku chladničky. Pre tento účel umiestnite balíček určený na rozmrazenie do nádoby, z ktorej voda vzniknutá následkom rozmrazovania nevytečie do priečinka chladničky. Rozmrazovanie vám odporúčame začať najmenej 24 hodín pred použitím zmrazenej potraviny.
4. Počet otvorení dverí vám odporúčame znížiť na minimum.
5. Dvere spotrebiča nenechávajte otvorené dlhšie, ako je potrebné a po otvorení dverí sa ubezpečte, že sú dobre zatvorené.

Informácie týkajúce sa zvukov a vibrácií, ku ktorým môže dôjsť počas prevádzky spotrebiča

1. Prevádzkový hluk sa môže počas prevádzky zvýšiť.
 - Kompresor spotrebiča sa bude pravidelne spúšťať kvôli uchovaniu teplôt na nastavených hodnotách. Hluk vytváraný kompresorom zosilnie po jeho spustení a po jeho zastavení môžete počuť cvaknutie.
 - Výkonové a prevádzkové vlastnosti spotrebiča sa môžu zmeniť podľa zmien teploty okolitého prostredia. Musíte ich považovať za normálne.

2. Zvuky podobné prúdiacim alebo rozstrekovaným kvapalinám.

- Tieto zvuky sú spôsobené prúdením chladiacej zmesi v obvode spotrebiča a sú v súlade s prevádzkovým princípom spotrebiča.

3. Iné vibrácie a zvuky.

- Úroveň zvuku a vibrácií môže byť spôsobená typom a stavom podlahy, na ktorej je spotrebič umiestnený. Ubezpečte sa, že podlaha neobsahuje veľké množstvá deformácií a tiež, že unesie hmotnosť spotrebiča (ak je flexibilná).
- Ďalší zdroj zvuku a vibrácií predstavujú predmety umiestnené na spotrebiči. Tieto predmety musíte zo spotrebiča odstrániť.
- Fľaše a nádoby umiestnené v chladničke sa dotýkajú. V takýchto prípadoch premiestnite fľaše a nádoby tak, aby bol medzi nimi malý priestor.


Riešenie problémov

Ak spotrebič nefunguje, keď je zapnutý, skontrolujte,

- či je zástrčka správne vložená do zásuvky a či je zapnutý napájací zdroj. (Ak chcete skontrolovať napájací zdroj k zásuvke, pripojte iný spotrebič)
- Či poistka vyhorela/sa prerušovač rozpojil/sa hlavný rozvodový spínač vypol.
- Či bolo riadenie teploty nastavené správne.
- Či je nová zástrčka správne zapojená, ak ste vymenili namontovanú, lisovanú zástrčku.

Ak spotrebič po tom všetkom stále nepracuje, kontaktujte servisného technika. Zabezpečte vykonanie vyššie uvedených kontrol, pretože, ak sa nezistí žiadna chyba, môže sa to spoplatniť.



Symbol  na výrobku alebo na balení označuje, že s týmto výrobkom sa nesmie manipulovať ako s odpadom z domácnosti. Namiesto toho by ste ho mali odovzdať na príslušnom zbernom mieste, kde sa zabezpečuje recyklácia elektrických a elektronických zariadení. Zabezpečením správnej likvidácie tohto výrobku pomôžete zabrániť potenciálne nebezpečným negatívnym následkom na životné prostredie a zdravie ľudí, ktoré by inak mohla spôsobiť nevhodná likvidácia tohto výrobku. Ak chcete získať podrobnejšie informácie o recyklácii tohto výrobku, obráťte sa na miestny mestský úrad, na spoločnosť, ktorá sa zaoberá likvidáciou odpadu z domácností, alebo na predajňu, v ktorej ste výrobok kúpili.

4578337002/AA
EN,D,FR,NL,PL,CZ,SK