

beko



Refrigerator
Chlodziarka
Chladnička
Chladnicka

RDSA180K21W

Please read this user manual first!

Dear Customer,

We hope that your product, which has been produced in modern plants and checked under the most meticulous quality control procedures, will provide you an effective service.

Therefore, read this entire user manual carefully before using the product and keep it as a reference. If you handover the product to someone else, give the user manual as well.

The user manual will help you use the product in a fast and safe way.


- Read the manual before installing and operating the product.
- Make sure you read the safety instructions.
- Keep the manual in an easily accessible place as you may need it later.
- Read the other documents given with the product.

Remember that this user manual is also applicable for several other models. Differences between models will be identified in the manual.

Explanation of symbols

Throughout this user manual the following symbols are used:

 Important information or useful tips.

 Warning against dangerous conditions for life and property.

 Warning against electric voltage.

CONTENTS

1 Your refrigerator **3**

2 Important Safety Warnings **4**

| | |
|--|---|
| Intended use | 4 |
| General safety | 4 |
| For products with a water dispenser; .. | 6 |
| Child safety..... | 6 |
| Compliance with the WEEE Regulation and Disposing of the Waste Product.. | 6 |
| Package information..... | 6 |
| HCA warning..... | 7 |
| Things to be done for energy saving.. | 7 |

3 Installation **8**

| | |
|--|----|
| Points to be paid attention to when the relocation of the refrigerator | 8 |
| Before you start the refrigerator,..... | 8 |
| Disposing of the packaging | 9 |
| Disposing of your old refrigerator | 9 |
| Placing and Installation | 9 |
| Adjusting the legs | 9 |
| Replacing the interior light bulb | 9 |
| Reversing the doors | 10 |

4 Preparation **11**

5 Using your refrigerator **12**

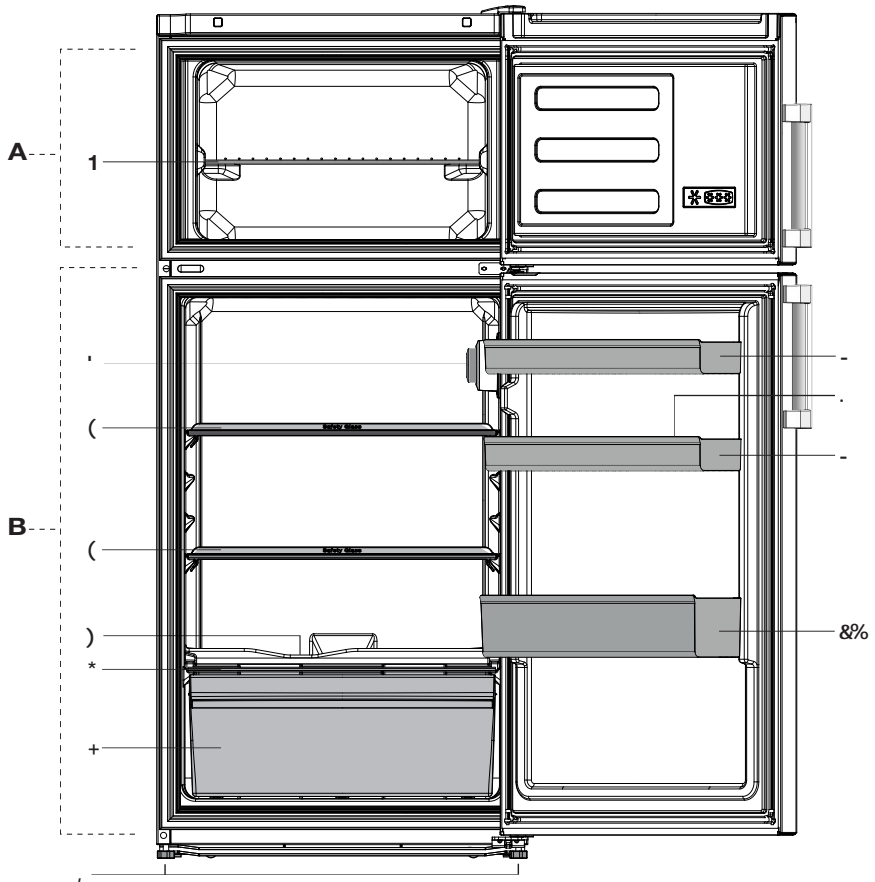
| | |
|--------------------------------|----|
| Thermostat setting button..... | 12 |
| Defrost | 12 |
| Making ice..... | 13 |
| Stopping your product..... | 13 |

6 Maintenance and cleaning **14**

| | |
|--------------------------------------|----|
| Protection of plastic surfaces | 14 |
|--------------------------------------|----|

7 Troubleshooting **15**

1 Your refrigerator



A- Freezer compartment

B- Fridge compartment

1- Freezer shelf

2- Thermostat and lamp housing

3- Fridge compartment shelves

4- Defrost water collection channel - drain tube

5- Crisper cover

6- Salad crisper

7- Adjustable front feet

8- Door shelves

9- Egg tray

10- Bottle shelf

i Figures that take place in this instruction manual are schematic and may not correspond exactly with your product. If the subject parts are not included in the product you have purchased, then it is valid for other models.

2 Important Safety Warnings

Please review the following information. Failure to observe this information may cause injuries or material damage. Otherwise, all warranty and reliability commitments will become invalid.

Original Spare parts will be provided for 10 years, following the product purchasing date

Intended use

This product is intended to be used

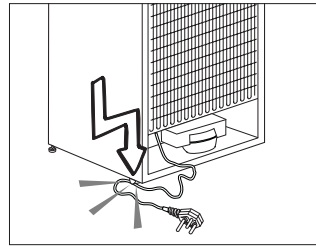
- indoors and in closed areas such as homes;
- in closed working environments such as stores and offices;
- in closed accommodation areas such as farm houses, hotels, pensions.
- It should not be used outdoors.

General safety

- When you want to dispose/scrap the product, we recommend you to consult the authorized service in order to learn the required information and authorized bodies.
- Consult your authorized service for all your questions and problems related to the refrigerator. Do not intervene or let someone intervene to the refrigerator without notifying the authorised services.
- For products with a freezer compartment; Do not eat cone ice cream and ice cubes immediately after you take them out of the freezer compartment! (This may cause frostbite in your mouth.)
- For products with a freezer compartment; Do not put bottled and canned liquid beverages in the freezer compartment. Otherwise, these may burst.
- Do not touch frozen food by hand; they may stick to your hand.
- Unplug your refrigerator before cleaning or defrosting.
- Vapor and vaporized cleaning materials should never be used in cleaning and defrosting processes of your refrigerator. In such cases, the vapor may get in contact with the electrical parts and cause short circuit or electric shock.
- Never use the parts on your refrigerator such as the door as a means of support or step.
- Do not use electrical devices inside the refrigerator.
- Do not damage the parts, where the refrigerant is circulating, with drilling or cutting tools. The refrigerant that might blow out when the gas channels of the evaporator, pipe extensions or surface coatings are punctured causes skin irritations and eye injuries.
- Do not cover or block the ventilation holes on your refrigerator with any material.
- Electrical devices must be repaired by only authorised persons. Repairs performed by incompetent persons create a risk for the user.
- In case of any failure or during a maintenance or repair work, disconnect your refrigerator's mains supply by either turning off the relevant fuse or unplugging your appliance.
- Do not pull by the cable when pulling off the plug.
- Place the beverage with higher proofs tightly closed and vertically.
- Never store spray cans containing flammable and explosive substances in the refrigerator.

- Do not use mechanical devices or other means to accelerate the defrosting process, other than those recommended by the manufacturer.
- This product is not intended to be used by persons with physical, sensory or mental disorders or unlearned or inexperienced people (including children) unless they are attended by a person who will be responsible for their safety or who will instruct them accordingly for use of the product
- Do not operate a damaged refrigerator. Consult with the service agent if you have any concerns.
- Electrical safety of your refrigerator shall be guaranteed only if the earth system in your house complies with standards.
- Exposing the product to rain, snow, sun and wind is dangerous with respect to electrical safety.
- Contact authorized service when there is a power cable damage to avoid danger.
- Never plug the refrigerator into the wall outlet during installation. Otherwise, risk of death or serious injury may arise.
- This refrigerator is intended for only storing food items. It must not be used for any other purpose.
- Label of technical specifications is located on the left wall inside the refrigerator.
- Never connect your refrigerator to electricity-saving systems; they may damage the refrigerator.
- If there is a blue light on the refrigerator, do not look at the blue light with optical tools.

- For manually controlled refrigerators, wait for at least 5 minutes to start the refrigerator after power failure.
- This operation manual should be handed in to the new owner of the product when it is given to others.
- Avoid causing damage on power cable when transporting the refrigerator. Bending cable may cause fire. Never place heavy objects on power cable.
- Do not touch the plug with wet hands when plugging the product.



- Do not plug the refrigerator if the wall outlet is loose.
- Water should not be sprayed on inner or outer parts of the product for safety purposes.
- Do not spray substances containing inflammable gases such as propane gas near the refrigerator to avoid fire and explosion risk.
- Never place containers filled with water on top of the refrigerator; in the event of spillages, this may cause electric shock or fire.
- Do not overload the refrigerator with food. If overloaded, the food items may fall down and hurt you and damage refrigerator when you open the door.

- Never place objects on top of the refrigerator; otherwise, these objects may fall down when you open or close the refrigerator's door.
- As they require a precise temperature, vaccines, heat-sensitive medicine and scientific materials and etc. should not be kept in the refrigerator.
- If not to be used for a long time, refrigerator should be unplugged. A possible problem in power cable may cause fire.
- The plug's tip should be cleaned regularly with a dry cloth; otherwise, it may cause fire.
- Refrigerator may move if adjustable legs are not properly secured on the floor. Properly securing adjustable legs on the floor can prevent the refrigerator to move.
- When carrying the refrigerator, do not hold it from door handle. Otherwise, it may be snapped.
- When you have to place your product next to another refrigerator or freezer, the distance between devices should be at least 8cm. Otherwise, adjacent side walls may be humidified.

For products with a water dispenser;

Pressure of water mains should be minimum 1 bar. Pressure of water mains should be maximum 8 bars.

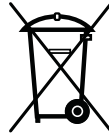
- Use only potable water.

Child safety

- If the door has a lock, the key should be kept away from reach of children.
- Children must be supervised to prevent them from tampering with the product.

Compliance with the WEEE Regulation and Disposing of the Waste Product

This product does not contain harmful and forbidden materials described in the "Regulation on the Control of the Waste Electrical and Electronic Equipment" issued by the T.R. Ministry of Environment and City Planning. Complies with the WEEE Regulation.



This product has been manufactured with high quality parts and materials which can be reused and are suitable for recycling.

Therefore, do not dispose the product with normal domestic waste at the end of its service life. Take it to a collection point for the recycling of electrical and electronic equipment. Please consult your local authorities to learn the nearest collection point. Help protect the environment and natural resources by recycling used products. For children's safety, cut the power cable and break the locking mechanism of the door, if any, so that it will be non-functional before disposing of the product.

Package information

Packaging materials of the product are manufactured from recyclable materials in accordance with our National Environment Regulations. Do not dispose of the packaging materials together with the domestic or other wastes. Take them to the packaging material collection points designated by the local authorities.

Do not forget...

Any recycled substance is an indispensable matter for nature and our national asset wealth. If you want to contribute to the re-evaluation of the packaging materials, you can consult to your environmentalist organizations or the municipalities where you are located.

HCA warning

If your product's cooling system contains R600a:

This gas is flammable. Therefore, pay attention to not damaging the cooling system and piping during usage and transportation. In the event of damage, keep your product away from potential fire sources that can cause the product catch a fire and ventilate the room in which the unit is placed.

Ignore this warning if your product's cooling system contains R134a.

Type of gas used in the product is stated in the type label which is on the left wall inside the refrigerator. Never throw the product in fire for disposal.

Things to be done for energy saving

- Do not leave the doors of your refrigerator open for a long time.
 - Do not put hot food or drinks in your refrigerator.
 - Do not overload your refrigerator so that the air circulation inside of it is not prevented.
 - Do not install your refrigerator under direct sunlight or near heat emitting appliances such as ovens, dishwashers or radiators. Keep your refrigerator at least 30cm away from heat emitting sources and at least 5cm from electrical ovens.
- Pay attention to keep your food in closed containers.
 - For products with a freezer compartment; You can store maximum amount of food items in the freezer when you remove the shelf or drawer of the freezer. Energy consumption value stated for your refrigerator has been determined by removing freezer shelf or drawer and under maximum load. There is no harm to use a shelf or drawer according to the shapes and size of food to be frozen.
 - Thawing frozen food in fridge compartment will both provide energy saving and preserve the food quality.

3 Installation

⚠ In case the information which are given in the user manual are not taken into account, manufacturer will not assume any liability for this.

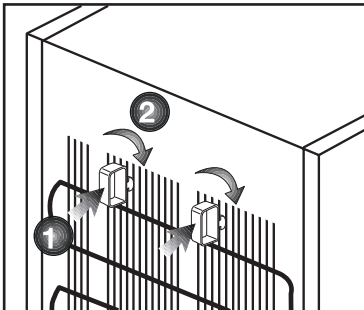
Points to be paid attention to when the relocation of the refrigerator

1. Your refrigerator should be unplugged. Before transportation of your refrigerator, it should be emptied and cleaned.
2. Before it is re-packaged, shelves, accessories, crisper, etc. inside your refrigerator should be fixed with adhesive tape and secured against impacts. Package should be bound with a thick tape or sound ropes and the transportation rules on the package should be strictly observed.
3. Original packaging and foam materials should be kept for future transportations or moving.

Before you start the refrigerator,

Check the following before you start to use your refrigerator:

1. Attach 2 plastic wedges as illustrated below. Plastic wedges are intended to keep the distance which will ensure the air circulation between your refrigerator and the wall. (The picture is drawn up as a representation and it is not identical with your product.)



2. Clean the interior of the refrigerator as recommended in the “Maintenance and cleaning” section.

3. Connect the plug of the refrigerator to the wall socket. When the fridge door is opened, fridge internal lamp will turn on.

4. When the compressor starts to operate, a sound will be heard. The liquid and gases sealed within the refrigeration system may also give rise to noise, even if the compressor is not running and this is quite normal.

5. Front edges of the refrigerator may feel warm. This is normal. These areas are designed to be warm to avoid condensation.

6. Electrical connection

Connect your product to a grounded socket which is being protected by a fuse with the appropriate capacity.

Important:

The connection must be in compliance with national regulations.

- The power plug must be easily accessible after installation.
- Electrical safety of your refrigerator shall be guaranteed only if the earth system in your house complies with standards.
- The voltage stated on the label located at left inner side of your product should be equal to your network voltage.
- **Extension cables and multi plugs must not be used for connection.**

⚠ A damaged power cable must be replaced by a qualified electrician.

⚠ Product must not be operated before it is repaired! There is the risk of electric shock!

Disposing of the packaging

The packing materials may be dangerous for children. Keep the packing materials out of the reach of children or dispose of them by classifying them in accordance with the waste instructions stated by your local authorities. Do not throw away with regular house waste, throw away on packaging pick up spots designated by the local authorities. The packing of your refrigerator is produced from recyclable materials.

Disposing of your old refrigerator

Dispose of your old refrigerator without giving any harm to the environment.

- You may consult your authorized dealer or waste collection center of your municipality about the disposal of your refrigerator.

Before disposing of your refrigerator, cut out the electric plug and, if there are any locks on the door, make them inoperable in order to protect children against any danger.

Placing and Installation

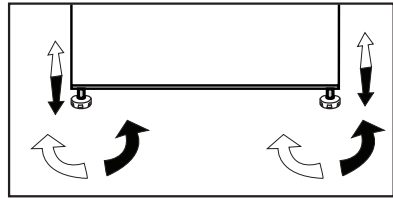
⚠ If the entrance door of the room where the refrigerator will be installed is not wide enough for the refrigerator to pass through, then call the authorized service to have them remove the doors of your refrigerator and pass it sideways through the door.

1. Install your refrigerator to a place that allows ease of use.
2. Keep your refrigerator away from heat sources, humid places and direct sunlight.
3. There must be appropriate air ventilation around your refrigerator in order to achieve an efficient operation. If the refrigerator is to be placed in a recess in the wall, there must be at least 5 cm distance with the ceiling and at least 5 cm with the wall. Do not place your product on the materials such as rug or carpet.

4. Place your refrigerator on an even floor surface to prevent jolts.
5. Do not keep your refrigerator in ambient temperatures under 10°C.

Adjusting the legs

If your refrigerator is unbalanced; You can balance your refrigerator by turning its front legs as illustrated in the figure. The corner where the leg exists is lowered when you turn in the direction of black arrow and raised when you turn in the opposite direction. Taking help from someone to slightly lift the refrigerator will facilitate this process.



Replacing the interior light bulb

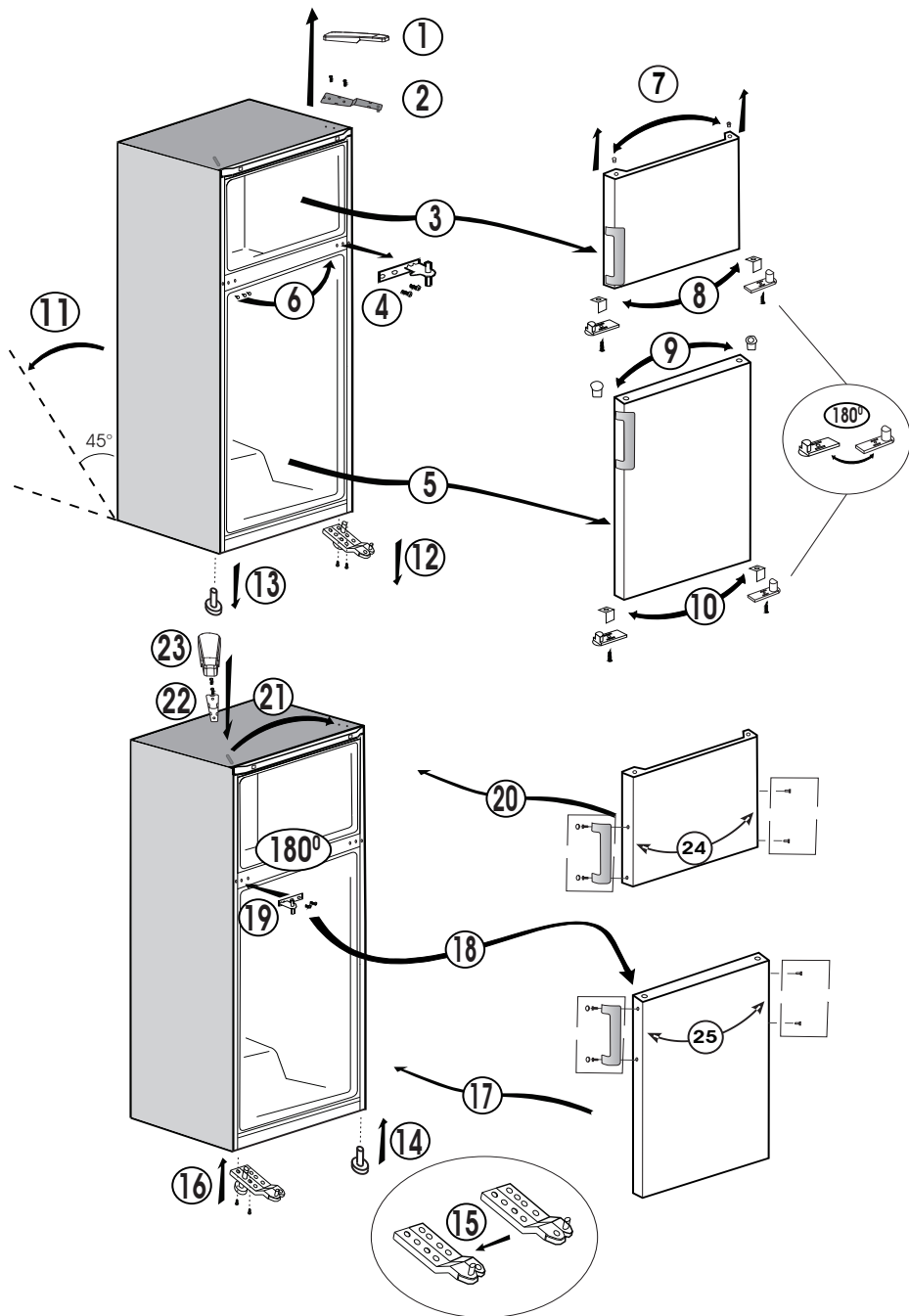
To change the Bulb/LED used for illumination of your refrigerator, call your AuthorisedService.

The lamp(s) used in this appliance is not suitable for household room illumination. The intended purpose of this lamp is to assist the user to place foodstuffs in the refrigerator/freezer in a safe and comfortable way.

The lamps used in this appliance have to withstand extreme physical conditions such as temperatures below -20°C.

Reversing the doors

Proceed in numerical order.

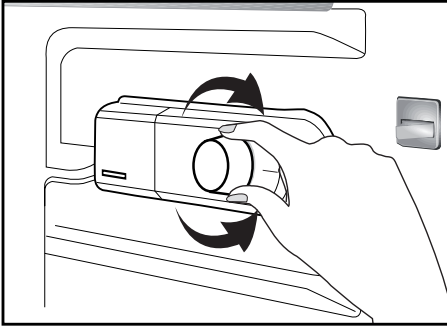


4 Preparation

- Your refrigerator should be installed at least 30 cm away from heat sources such as hobs, ovens, central heater and stoves and at least 5 cm away from electrical ovens and should not be located under direct sunlight.
- The ambient temperature of the room where you install your refrigerator should at least be 10°C. Operating your refrigerator under cooler conditions is not recommended with regard to its efficiency.
- Please make sure that the interior of your refrigerator is cleaned thoroughly.
- If two refrigerators are to be installed side by side, there should be at least 2 cm distance between them.
- When you operate your refrigerator for the first time, please observe the following instructions during the initial six hours.
- The door should not be opened frequently.
- It must be operated empty without any food in it.
- Do not unplug your refrigerator. If a power failure occurs out of your control, please see the warnings in the “Recommended solutions for the problems” section.
- Original packaging and foam materials should be kept for future transportations or moving.

5 Using your refrigerator

Thermostat setting button



The interior temperature of your refrigerator changes for the following reasons:

- Seasonal temperatures.
- Frequent opening of the door and leaving the door open for long periods.
- Food put into the refrigerator without cooling down to the room temperature.
- The location of the refrigerator in the room (e.g. exposing to sunlight).
- You may adjust the varying interior temperature due to such reasons by using the thermostat. Numbers around the thermostat button indicates the cooling degrees.
- If the ambient temperature is higher than 32°C, turn the thermostat button to maximum position.
- If the ambient temperature is lower than 25°C, turn the thermostat button to minimum position.

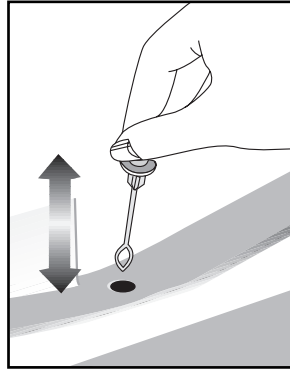
Defrost

A) Fridge compartment

Fridge compartment performs full-automatic defrosting.

Water resulting from the defrosting passes from the water collection groove and flows into the evaporator through the drain pipe and evaporates here by itself.

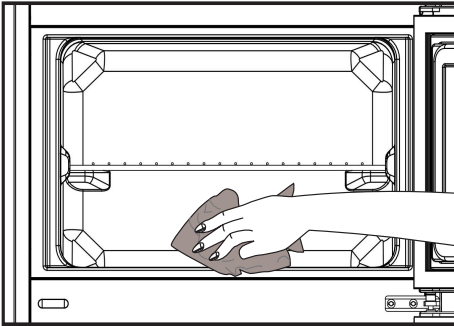
- Check regularly to see if the drain pipe is clogged or not and clear it with the stick in the hole when necessary.



B) Freezer compartment

- Deep freezer compartment does not perform automatic defrosting in order to prevent decaying of the frozen food.
- Frost formation in the freezer compartment must be defrosted every 6 months. It is recommended to defrost the ice when the deep freezer compartment is not filled too much or is empty.
- To do this, wrap the frozen food by paper and keep them in the coolest place possible or in another refrigerator if available.

- Stop your refrigerator by means of the temperature setting button or unplug the power cord from the outlet.
- You can place a container filled with hot water into the freezer compartment or leave the door of the freezer compartment open in order to hasten the defrosting.
- Remove the water that accumulates in the lower container of the freezer compartment with an absorbent cloth or sponge.
- Dry the freezer compartment completely and return the temperature setting button to its previous position.
- Operate your refrigerator for 2 hours while it is empty and its doors are closed before replacing your food into the deep freezer.



Making ice

Fill the ice container with water and place it into the freezer compartment. Your ice will be ready approximately in two hours.

You can remove the ice in the ice container by removing it from the freezer and twisting it.

Stopping your product

If your thermostat is equipped with “0” position:

- Your product will stop operating when you turn the thermostat button to “0” (zero) position. Your product will not start unless to you turn the thermostat button to position “1” or one of the other positions again.

If your thermostat is equipped with “min” position:

- Unplug your product to stop it.

6 Maintenance and cleaning

- ⚠ Never use gasoline, benzene or similar substances for cleaning purposes.
- ⚠ We recommend that you unplug the appliance before cleaning.
- ⚠ Never use any sharp abrasive instrument, soap, household cleaner, detergent and wax polish for cleaning.
- ℹ Use lukewarm water to clean the cabinet of your refrigerator and wipe it dry.
- ℹ Use a damp cloth wrung out in a solution of one teaspoon of bicarbonate of soda to one pint of water to clean the interior and wipe it dry.
- ⚠ Make sure that no water enters the lamp housing and other electrical items.
- ⚠ If your refrigerator is not going to be used for a long period of time, unplug the power cable, remove all food, clean it and leave the door ajar.
- ℹ Check door seals regularly to ensure they are clean and free from food particles.
- ⚠ To remove door racks, remove all the contents and then simply push the door rack upwards from the base.

- ⚠ Never use cleaning agents or water that contain chlorine to clean the outer surfaces and chromium coated parts of the product. Chlorine causes corrosion on such metal surfaces.

Protection of plastic surfaces

- ℹ Do not put the liquid oils or oil-cooked meals in your refrigerator in unsealed containers as they damage the plastic surfaces of your refrigerator. In case of spilling or smearing oil on the plastic surfaces, clean and rinse the relevant part of the surface at once with warm water.

7 Troubleshooting

Please review this list before calling the service. It will save your time and money. This list includes frequent complaints that are not arising from defective workmanship or material usage. Some of the features described here may not exist in your product.

The refrigerator does not operate.

- The plug is not inserted into the socket correctly. >>>Insert the plug into the socket securely.
- The fuse of the socket which your refrigerator is connected to or the main fuse have blown out. >>>Check the fuse.

Condensation on the side wall of the fridge compartment (MULTIZONE, COOL CONTROL and FLEXI ZONE).

- Ambient is very cold. >>>Do not install the refrigerator in places where the temperature falls below 10 °C.
- Door has been opened frequently. >>>Do not open and close the door of refrigerator frequently.
- Ambient is very humid. >>>Do not install your refrigerator into highly humid places.
- Food containing liquid is stored in open containers. >>>Do not store food with liquid content in open containers.
- Door of the refrigerator is left ajar. >>>Close the door of the refrigerator.
- Thermostat is set to a very cold level. >>>Set the thermostat to a suitable level.

• Compressor is not running

- Protective thermic of the compressor will blow out during sudden power failures or plug-out plug-ins as the refrigerant pressure in the cooling system of the refrigerator has not been balanced yet. The refrigerator will start running approximately after 6 minutes. Please call the service if the refrigerator does not startup at the end of this period.
- The fridge is in defrost cycle. >>>This is normal for a full-automatically defrosting refrigerator. Defrosting cycle occurs periodically.
- The refrigerator is not plugged into the socket. >>>Make sure that the plug is fit into the socket.
- Temperature settings are not made correctly. >>>Select the suitable temperature value.
- There is a power outage. >>>Refrigerator returns to normal operation when the power restores.

The operation noise increases when the refrigerator is running.

- The operating performance of the refrigerator may change due to the changes in the ambient temperature. It is normal and not a fault.

The refrigerator is running frequently or for a long time.

- New product may be wider than the previous one. Larger refrigerators operate for a longer period of time.
- The room temperature may be high. >>>It is normal that the product operates for longer periods in hot ambient.
- The refrigerator might be plugged in recently or might be loaded with food. >>>When the refrigerator is plugged in or loaded with food recently, it will take longer for it to attain the set temperature. This is normal.
- Large amounts of hot food might be put in the refrigerator recently. >>>Do not put hot food into the refrigerator.
- Doors might be opened frequently or left ajar for a long time. >>>The warm air that has entered into the refrigerator causes the refrigerator to run for longer periods. Do not open the doors frequently.
- Freezer or fridge compartment door might be left ajar. >>>Check if the doors are closed completely.
- The refrigerator is adjusted to a very low temperature. >>>Adjust the refrigerator temperature to a warmer degree and wait until the temperature is achieved.
- Door seal of the fridge or freezer may be soiled, worn out, broken or not properly seated. >>>Clean or replace the seal. Damaged/broken seal causes the refrigerator to run for a longer period of time in order to maintain the current temperature.

Freezer temperature is very low while the fridge temperature is sufficient.

- The freezer temperature is adjusted to a very low value. >>>Adjust the freezer temperature to a warmer degree and check.

Fridge temperature is very low while the freezer temperature is sufficient.

- The fridge temperature is adjusted to a very low value. >>>Adjust the fridge temperature to a warmer degree and check.

Food kept in the fridge compartment drawers is frozen.

- The fridge temperature is adjusted to a very high value. >>>Adjust the fridge temperature to a lower value and check.

Temperature in the fridge or freezer is very high.

- The fridge temperature is adjusted to a very high value. >>>Fridge compartment temperature setting has an effect on the temperature of the freezer. Change the temperatures of the fridge or freezer and wait until the relevant compartments attain a sufficient temperature.
- Doors are opened frequently or left ajar for a long time. >>>Do not open the doors frequently.
- Door is ajar. >>>Close the door completely.
- The refrigerator is plugged in or loaded with food recently. >>>This is normal. When the refrigerator is plugged in or loaded with food recently, it will take longer for it to attain the set temperature.
- Large amounts of hot food might be put in the refrigerator recently. >>>Do not put hot food into the refrigerator.

| |
|--|
| <ul style="list-style-type: none"> • Vibrations or noise. |
| <ul style="list-style-type: none"> • The floor is not level or stable. >>> If the refrigerator rocks when moved slowly, balance it by adjusting its feet. Also make sure that the floor is strong enough to carry the refrigerator, and level. • The items put onto the refrigerator may cause noise. >>>Remove the items on top of the refrigerator. |
| There are noises coming from the refrigerator like liquid flowing, spraying, etc. |
| <ul style="list-style-type: none"> • Liquid and gas flows occur in accordance with the operating principles of your refrigerator. It is normal and not a fault. |
| Whistle comes from the refrigerator. |
| <ul style="list-style-type: none"> • Fans are used in order to cool the refrigerator. It is normal and not a fault. |
| Condensation on the inner walls of refrigerator. |
| <ul style="list-style-type: none"> • Hot and humid weather increases icing and condensation. It is normal and not a fault. • Doors are opened frequently or left ajar for a long time. >>>Do not open the doors frequently. Close them if they are open. • Door is ajar. >>>Close the door completely. |
| Humidity occurs on the outside of the refrigerator or between the doors. |
| <ul style="list-style-type: none"> • There might be humidity in the air; this is quite normal in humid weather. When the humidity is less, condensation will disappear. |
| Bad odour inside the refrigerator. |
| <ul style="list-style-type: none"> • No regular cleaning is performed. >>>Clean the inside of the refrigerator regularly with a sponge, lukewarm water or carbonate dissolved in water. • Some containers or package materials may cause the smell. >>>Use a different container or different brand packaging material. • Food is put into the refrigerator in uncovered containers. >>>Keep the food in closed containers. Microorganisms spreading out from uncovered containers can cause unpleasant odours. • Remove the foods that have expired best before dates and spoiled from the refrigerator. |
| The door is not closing. |
| <ul style="list-style-type: none"> • Food packages are preventing the door from closing. >>>Replace the packages that are obstructing the door. • The refrigerator is not completely even on the floor. >>>Adjust the feet to balance the refrigerator. • The floor is not level or strong. >>>Make sure that the floor is level and capable to carry the refrigerator. |
| Crispers are stuck. |
| <ul style="list-style-type: none"> • The food is touching the ceiling of the drawer. >>>Rearrange food in the drawer. |

Prosimy najpierw przeczytać tę instrukcję obsługi!

Drodzy Klienci,

Mamy nadzieję, że nasz wyrób, wyprodukowany w nowoczesnym zakładzie i sprawdzony według najbardziej drobiazgowych procedur kontroli jakości, będzie Wam dobrze służył.

Dlatego zalecamy, aby uważnie przeczytać całą instrukcję obsługi tego wyrobu przed jego uruchomieniem i zachować ją do wglądu w przyszłości.

Instrukcja niniejsza

- Pomoże używać tego urządzenia sprawnie i bezpiecznie.
- Przeczytajcie tę instrukcję przed zainstalowaniem i uruchomieniem lodówki.
- Postępujcie zgodnie z tymi wskazówkami, zwłaszcza dotyczącymi bezpieczeństwa.
- Przechowujcie tę instrukcję w łatwo dostępnym miejscu, bo może się przydać później.
- Prosimy przeczytać także inne dokumenty dostarczone wraz z lodówką.

Instrukcja ta może odnosić się także do innych modeli.

Symbole i ich znaczenie

Niniejsza instrukcja obsługi zawiera następujące symbole:

 Ważne informacje lub przydatne wskazówki użytkownika.

 Ostrzeżenie przed zagrożeniem życia i mienia.

 Ostrzeżenie przed porażeniem elektrycznym.

Utylizacja



Wyrób ten nosi symbol selektywnego sortowania odpadów urządzeń elektrycznych i elektronicznych (WEEE).

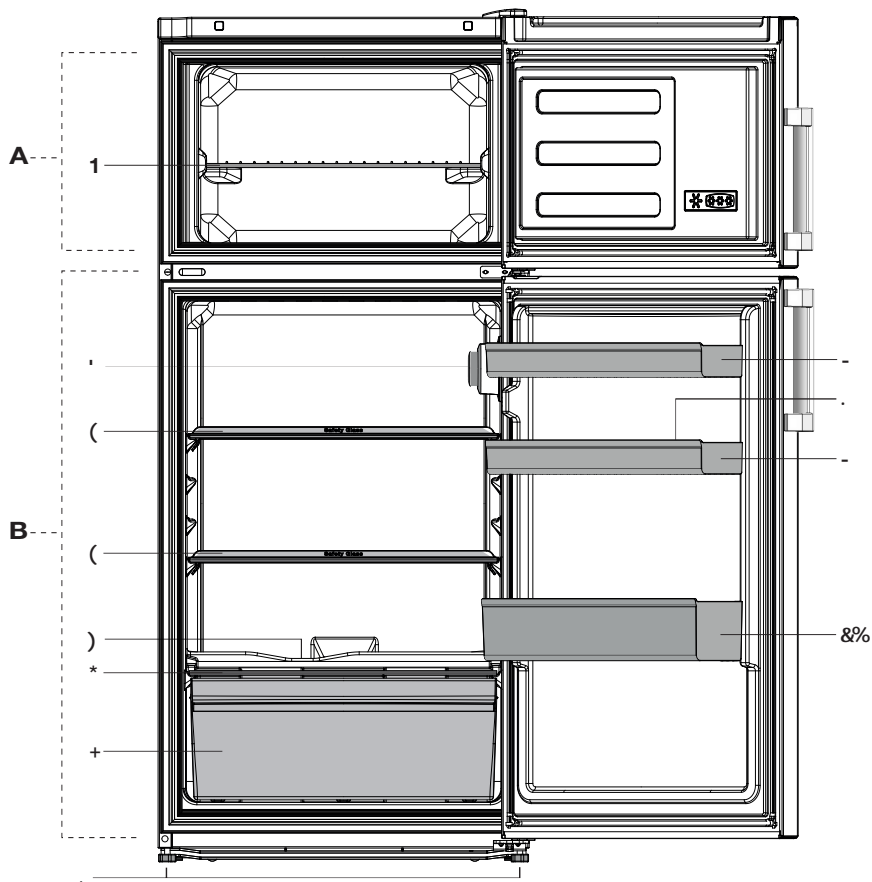
Znaczy to, że w celu zminimalizowania oddziaływania na środowisko naturalne wyrób ten należy poddać utylizacji lub rozebrać zgodnie z Dyrektywą Europejską 2002/96/WE. Bliższe informacje uzyskać można od władz lokalnych lub regionalnych.

Ze względu na zawartość substancji szkodliwych wyroby elektroniczne nie poddane procesowi selektywnego sortowania mogą być niebezpieczne dla środowiska naturalnego i zdrowia ludzi.

SPIS TREŚCI

| | | | |
|--|----------|---|-----------|
| 1 Zakupiona chłodziarka | 3 | 4 Przygotowanie | 10 |
| 2 Ważne ostrzeżenia dot. bezpieczeństwa | 4 | 5 Obsługa chłodziarki | 11 |
| Zamierzone przeznaczenie | 4 | Przycisk nastawiania termostatu | 11 |
| Ogólne zasady bezpieczeństwa..... | 4 | Rozmrażanie | 11 |
| Bezpieczeństwo dzieci | 6 | Hokej na co | 12 |
| Ostrzeżenie HCA | 6 | Zatrzymywanie urządzenia | 12 |
| Co robić, aby oszczędzać energię..... | 6 | | |
| 3 Instalacja | 7 | 6 Konserwacja i czyszczenie | 13 |
| W razie potrzeby ponownego transportu chłodziarki należy przestrzegać następujących wskazówek: | 7 | Zabezpieczenia powierzchni plastikowych | 13 |
| Przed uruchomieniem chłodziarki | 7 | | |
| Połączenia elektryczne | 7 | 7 Zalecane rozwiązania problemów | 14 |
| Usuwanie opakowania..... | 8 | Gwarancja | 17 |
| Utylizacja starej chłodziarki | 8 | | |
| Ustawienie i instalacja..... | 8 | | |
| Regulacja nóżek | 8 | | |
| Wymiana żarówki oświetlenia wewnętrznego | 8 | | |
| Przekładanie drzwi | 9 | | |

1 Zakupiona chłodziarka



A- Komora zamrażalnika

B- Komora chłodziarki

1- Półka zamrażarki

2- Obudowa termostatu i lampy

3- Półki komory chłodniczej

4- Kanał zbierania wody z rozmrażania –
rurka ściekowa

5- Pokrywa pojemnika na świeże warzywa

6- Pojemnik na warzywa

7- Nastawiane nóżki przednie

8- Półki w drzwiach

9- Tacka na jajka

10- Balkonik na butelki

i Rysunki w niniejszej instrukcji to tylko schematy i nie muszą ściśle odpowiadać Waszemu modelowi chłodziarki. Jeśli pewnych części nie ma w nabytej chłodziarce, to znaczy, że odnoszą się do innych modeli.

2 Ważne ostrzeżenia dot. bezpieczeństwa

Prosimy przeczytać następujące ostrzeżenia. Ich nieprzestrzeganie grozi obrażeniami lub uszkodzeniem mienia. W takim przypadku tracą ważność wszelkie gwarancje i zapewnienia niezawodności.

Oryginalne części zamienne będą dostępne przez 10 lat od daty zakupu produktu.

Zamierzone przeznaczenie

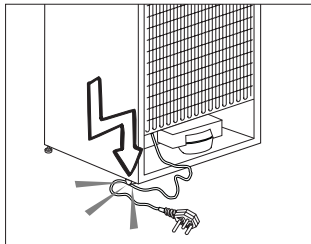
- Urządzenie można używać wyłącznie w gospodarstwie domowym oraz:
- na zapleczu kuchennych personelu w sklepach, biurach i w innych miejscach pracy;
- w kuchniach wiejskich i przez gości hotelowych, w motelach i innych tego rodzaju miejscach;
- w pensjonatach serwujących nocleg ze śniadaniem;
- cateringu i w innych tego rodzaju zastosowaniach niedetalicznych.
- Nie należy używać jej na dworze. Nie nadaje się do użytkowania na dworze, nawet w miejscach zadaszonych.

Ogólne zasady bezpieczeństwa

- Gdy zechcecie pozbyć się tego urządzenia/ złomować je, zalecamy skonsultowanie się z autoryzowanym serwisem, aby uzyskać potrzebne informacje i poznać kompetentne organa.
- Konsultujcie się z Waszym autoryzowanym serwisem w sprawach wszelkich pytań i problemów związanych z tą lodówką. Bez powiadomienia autoryzowanego serwisu nie wolno samemu ani innym osobom naprawiać chłodziarki.
- Nie jedzcie lodów ani lodu bezpośrednio po wyjęciu ich z zamrażalnika! (Może to spowodować odmrożenia w ustach).

- Nie wkładajcie do zamrażalnika napojów w puszkach ani w butelkach. Mogą wybuchnąć.
- Nie dotykajcie palcami mrożonej żywności, bo może do nich przylgnąć.
- Do czyszczenia i rozmrażania lodówki nie wolno stosować pary ani środków czyszczących w tej postaci. W takich przypadkach para może zetknąć się z częściami urządzeń elektrycznych i spowodować zwarcie albo porażenie elektryczne.
- Nie wolno używać żadnych części lodówki, takich jak drzwiczki, jako podpory ani stopnia.
- Wewnątrz lodówki nie wolno używać urządzeń elektrycznych.
- Nie wolno uszkadzać obwodu chłodzącego, w którym krąży środek chłodzący, narzędziami do wiercenia i cięcia. Środek chłodzący, który może wybuchnąć skutkiem przedziurawienia przewodów gazowych parownika, przedłużer rur lub powłok powierzchni, może spowodować podrażnienia skóry lub obrażenia oczu.
- Nie przykrywajcie żadnym materiałem ani nie blokujcie otworów wentylacyjnych w lodówce.
- Urządzenia elektryczne naprawiać mogą tylko wykwalifikowani fachowcy. Naprawy wykonywane przez osoby niekompetentne mogą powodować zagrożenie dla użytkowników.
- W razie jakiegokolwiek awarii, a także w trakcie prac konserwacyjnych lub napraw, odłączcie lodówkę od zasilania z sieci albo wyłączając odnośny bezpiecznik, albo wyjmując wtyczkę z gniazdka.
- Wyjmując przewód zasilający z gniazdka należy ciągnąć za wtyczkę, nie za przewód.

- Napoje o wyższej zawartości alkoholu wkładajcie do lodówki w ściśle zamkniętych naczyniach i w pozycji pionowej.
- W urządzeniu nie należy przechowywać substancji wybuchowych ani pojemników z łatwopalnymi gazami pędnymi.
- W celu przyspieszenia procesu rozmrażania lodówki nie należy używać żadnych urządzeń mechanicznych ani innych środków poza zalecanymi przez jej producenta.
- Urządzenie to nie jest przeznaczone do obsługi przez osoby (w tym dzieci) z ograniczoną sprawnością fizyczną, zmysłową lub umysłową, czy bez odpowiedniego doświadczenia i umiejętności, o ile nie zapewni się im nadzoru lub instrukcji jego użytkowania ze strony osoby odpowiedzialnej za ich bezpieczeństwo.
- Nie uruchamiajcie lodówki, jeśli jest uszkodzona. W razie wątpliwości należy się skonsultować z serwisem.
- Bezpieczeństwo elektryczne tej lodówki gwarantuje się tylko jeśli system uziemienia Waszej instalacji domowej spełnia wymogi norm.
- Wystawianie tego urządzenia na działanie deszczu, śniegu, słońca i wiatru zagraża jego bezpieczeństwu elektrycznemu.
- W razie uszkodzenia przewodu zasilającego itp. skontaktujcie się z autoryzowanym serwisem, aby nie narażać się na zagrożenie.
- W trakcie instalowania chłodziarki nigdy nie wolno włączać wtyczki w gniazdko w ścianie. Może to zagrażać śmiercią lub poważnym urazem.
- Chłodziarka ta służy wyłącznie do przechowywania żywności. Nie należy jej używać w żadnym innym celu.
- Etykieta z danymi technicznymi chłodziarki umieszczona jest po lewej stronie w jej wnętrzu.
- Nie przyłączaj tej chłodziarki do systemu oszczędzania energii, ponieważ może to ją uszkodzić.
- Jeśli chłodziarka wyposażona jest w niebieskie światło, nie patrz na nie poprzez przyrządy optyczne.
- Jeśli od ręcznie nastawianej chłodziarki odłączy się zasilanie, prosimy odczekać co najmniej 5 minut, zanim ponownie się je załączy.
- Jeżeli zmieni się właściciel tej chłodziarki, niniejszą instrukcję obsługi należy przekazać wraz z nią nowemu właścicielowi.
- Przy przesuwaniu chłodziarki uważaj, żeby nie uszkodzić przewodu zasilającego. Aby zapobiec pożarowi nie wolno skręcać tego przewodu. Nie ustawiać na przewodzie żadnych ciężkich przedmiotów. Gdy wtyczka chłodziarki jest wsadzona do gniazdka nie wolno jej dotykać wilgotnymi dłońmi.



- Nie wsadzaj wtyczki chłodziarki do obłuzowanego gniazdka.
- Ze względów bezpieczeństwa nie przyskaj wodą bezpośrednio na zewnętrzne ani na wewnętrzne części chłodziarki.
- Ze względu na zagrożenie pożarem i wybuchem nie rozpylaj łatwopalnych materiałów, takich jak gaz propan itp., w pobliżu chłodziarki.

- Nie stawiaj na chłodziarce przedmiotów wypełnionych wodą, ponieważ grozi to porażeniem elektrycznym lub pożarem.
- Nie przeciążaj chłodziarki nadmierną ilością żywności. Nadmiar żywności może wypaść, gdy otwiera się drzwiczki, narażając użytkownika na obrażenia ciała lub uszkodzenie chłodziarki. Nie wolno stawiać żadnych przedmiotów na chłodziarce, ponieważ mogą spaść przy otwieraniu lub zamykaniu drzwiczek.
- W chłodziarce nie należy przechowywać żadnych materiałów, które wymagają utrzymania w pewnej temperaturze, takich jak szczepionki, lekarstwa wrażliwe na temperaturę, materiały do badań naukowych itp.
- Jeśli chłodziarka ma być nieużywana przez dłuższy czas, należy wyjąć jej wtyczkę z gniazdka. Uszkodzenie izolacji elektrycznej przewodu zasilającego może spowodować pożar.
- Czubek wtyczki elektrycznej należy regularnie czyścić, w przeciwnym razie może spowodować pożar.
- Czubki wtyczki należy regularnie czyścić suchą ściereczką, w przeciwnym razie mogą spowodować pożar.
- Jeśli nastawialne nóżki nie stoją pewnie na podłodze, chłodziarka może się przesuwać. Prawidłowa regulacja nóżek chłodziarki zapewnia jej stabilność na podłodze.
- Jeśli chłodziarka ma klamkę w drzwiach nie należy ciągnąć za nią, gdy przesuwa się chłodziarkę, ponieważ można w ten sposób odłączyć ją od chłodziarki.
- Jeśli musisz ustawić chłodziarkę obok innej chłodziarki lub zamrażarki, odległość między tymi urządzeniami musi wynosić co najmniej 8 mm. W przeciwnym razie na ich ustawionych naprzeciw siebie bocznych ścianach może skraplać się wilgoć.
- Ciśnienie wody w instalacji wodociągowej musi wynosić co najmniej 1 bar. Ciśnienie wody w instalacji wodociągowej nie może przekraczać 8 bar.
- Używaj wyłącznie wody pitnej.

Bezpieczeństwo dzieci

- Jeśli drzwiczki zamykane są na klucz, należy go chronić przez dostępem dzieci.
- Należy zapewnić opiekę dzieciom, aby nie bawiły się lodówką.

Ostrzeżenie HCA

Jeśli chłodziarka ta wyposażona jest w system chłodniczy zawierający R600a:

Gaz ten jest łatwopalny. Należy zatem uważać, aby w trakcie jego użytkowania i transportu nie uszkodzić systemu i przewodów chłodzenia. W razie uszkodzenia, należy trzymać chłodziarkę z dala od potencjalnych źródeł ognia, które mogą spowodować jej pożar i należy wietrzyć pomieszczenie, w którym jest umieszczona.

Prosimy zignorować to ostrzeżenie, jeśli chłodziarka ta wyposażona jest w system chłodniczy zawierający R134a.

Oznaczenie gazu zastosowanego w danej chłodziarce można odczytać z tabliczki znamionowej umieszczonej z lewej strony w jej wnętrzu. Nie należy złomować chłodziarki przez jej spalanie.

Co robić, aby oszczędzać energię.

- Nie zostawiajcie drzwiczek lodówki otwartych na dłużej.
- Nie wkładajcie do lodówki gorących potraw ani napojów.
- Nie przeladowujcie lodówki tak, aby przeszkadzało to w krążeniu powietrza w jej wnętrzu.
- Nie instalujcie lodówki tam, gdzie narażona będzie na bezpośrednie działanie słońca ani w pobliżu urządzeń wydzielających ciepło takich jak piecyki, zmywarki do naczyń lub grzejniki.
- Pamiętajcie, aby żywność przechowywać w zamkniętych pojemnikach.
- Po wyjęciu półki lub szuflady z komory zamrażalnika można do niego włożyć maksymalną ilość żywności. Deklarowane zużycie energii przez chłodziarkę określono przy półce lub szufladzie wyjętej z komory zamrażania i przy maksymalnym wypełnieniu żywnością. Używanie półki lub szuflady odpowiednio do kształtów i rozmiarów zamrażanej żywności jest bezpieczne.

3 Instalacja

- 1** Należy pamiętać, że producent nie ponosi odpowiedzialności, jeśli są ignorowane informacje podane w niniejszej instrukcji.

W razie potrzeby ponownego transportu chłodziarki należy przestrzegać następujących wskazówek:

1. Przed transportem należy chłodziarkę opróżnić i oczyścić.
2. Przed ponownym zapakowaniem chłodziarki, półki, akcesoria, pojemnik na warzywa itp. należy przymocować taśmą klejącą zabezpieczając je przed wstrząsami.
3. Opakowanie należy obwiązać grubą taśmą i silnymi sznurkami i przestrzegać reguł transportu wydrukowanych na opakowaniu.

Prosimy pamiętać...

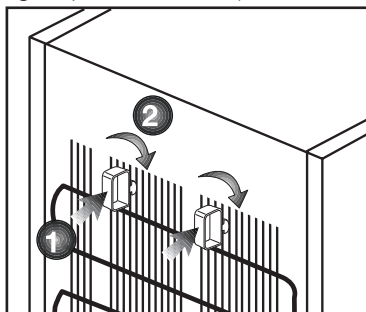
Wszystkie surowce wtórne stanowią niezbywalne źródło oszczędności zasobów naturalnych i krajowych. Osoby pragnące przyczynić się do wtórnego wykorzystania materiałów opakunkowych, mogą uzyskać dodatkowe informacje od instytucji ochrony środowiska lub władz lokalnych.

Przed uruchomieniem chłodziarki

Przed rozpoczęciem użytkowania chłodziarki, należy sprawdzić:

1. Czy wnętrze chłodziarki jest suche i czy powietrze może swobodnie krążyć za chłodziarką?
2. Oczyścić wnętrze chłodziarki, zgodnie z zaleceniami podanymi w rozdziale „Konserwacja i czyszczenie”.
3. Włączyć wtyczkę chłodziarki w gniazdko w ścianie. Po otwarciu drzwiczek chłodziarki zapali się światło we wnętrzu jej komory chłodzenia.

4. Po uruchomieniu sprężarki słyszalny będzie jej szum. Płyiny i gazy zawarte w systemie chłodzenia także mogą powodować szumy, nawet jeśli nie działa sprężarka i jest to zupełnie normalne.
5. Przednie krawędzie chłodziarki mogą się nagrzewać. Jest to całkiem normalne. Te miejsca mogą się nagrzewać, zapobiegając skraplaniu się pary.
6. Dwa plastikowe klipy zakłada się tak, jak pokazano na rysunku. Klipy plastikowe zapewniają odstęp pomiędzy chłodziarką a ścianą wymagany do umożliwienia krążenia powietrza. (Na ilustracji tej pokazano jedyny przykład i nie musi ona dokładnie odpowiadać Waszemu egzemplarzowi lodówki.)



Połączenia elektryczne

Lodówkę przyłącza się do gniazdko z uziemieniem, zabezpieczonego bezpiecznikiem o odpowiedniej wydajności. Ważne:

- Przyłączenie lodówki musi być zgodne z przepisami krajowymi.
- Po instalacji wtyczka zasilania musi być łatwo dostępna.
- Podane tam napięcie musi być równe napięciu w Waszej sieci zasilającej.
- Do przyłączenia nie można używać przedłużaczy, ani przewodów z wieloma wtyczkami.

⚠ Uszkodzony przewód zasilający musi wymienić upoważniony i wykwalifikowany elektryk.

⚠ Nie można ponownie uruchomić produktu przed jego naprawieniem! Grozi to porażeniem elektrycznym!

Usuwanie opakowania

Materiały opakunkowe mogą być niebezpieczne dla dzieci. Należy chronić materiały opakunkowe przed dostępem dzieci, albo usunąć je zgodnie z instrukcją odpowiednią dla odpadków ich kategorii. Nie można pozbywać się ich w taki sam sposób, jak innych odpadków domowych. Opakowanie tej chłodziarki wyprodukowano z surowców wtórnych.

Utylizacja starej chłodziarki

Starą chłodziarkę należy utylizować tak, aby nie zaszkodzić środowisku naturalnemu.

- W sprawie złomowania lodówki możecie skonsultować się z autoryzowanym sprzedawcą lub punktem zbiórki surowców wtórnych w swojej miejscowości.

Przed złomowaniem lodówki należy odciąć wtyczkę zasilania elektrycznego, a jeśli w drzwiczkach są jakieś zamki, należy je trwale uszkodzić, aby zapobiec zagrożeniu dzieci.

Ustawienie i instalacja

⚠ Jeśli drzwiczki wejściowe do pomieszczenia, w którym ma być zainstalowana chłodziarka, są zbyt wąskie, aby chłodziarka mogła przez nie przejść, należy wezwać autoryzowany serwis, który zdemontuje z niej drzwiczki i przeniesie ją bokiem przez drzwi.

1. Chłodziarkę należy zainstalować w miejscu, w którym łatwo będzie ją używać.
2. Chłodziarka musi stać z dala od źródeł ciepła, miejsc wilgotnych i bezpośrednio nastłonecznionych.

3. Aby uzyskać wydajną pracę chłodziarki, należy zapewnić odpowiednią wentylację wokół niej.

Jeśli chłodziarka ma stanąć we wnęce w ścianie, należy zachować co najmniej 5 cm odstęp od sufitu i ściany.

Jeśli podłoga pokryta jest wykładziną dywanową, chłodziarka musi stać 2,5 cm ponad powierzchnią podłogi.

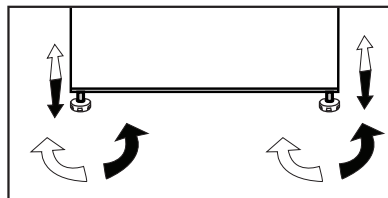
4. Aby uniknąć wstrząsów, chłodziarkę należy ustawić na równej powierzchni podłogi.

5. Temperatura w otoczeniu chłodziarki nie może spadać poniżej 10°C.

Regulacja nóżek

Jeśli chłodziarka nie stoi równo;

Można wyrównać jej ustawienie obracając przednie nóżki, tak jak pokazano na rysunku. Narożnik lodówki obniża się obracając nóżkę w tym narożniku w kierunku czarnej strzałki, lub podnosi obracając nóżkę w przeciwnym kierunku. Takie działanie ułatwi lekkie uniesienie chłodziarki z pomocą innej osoby.

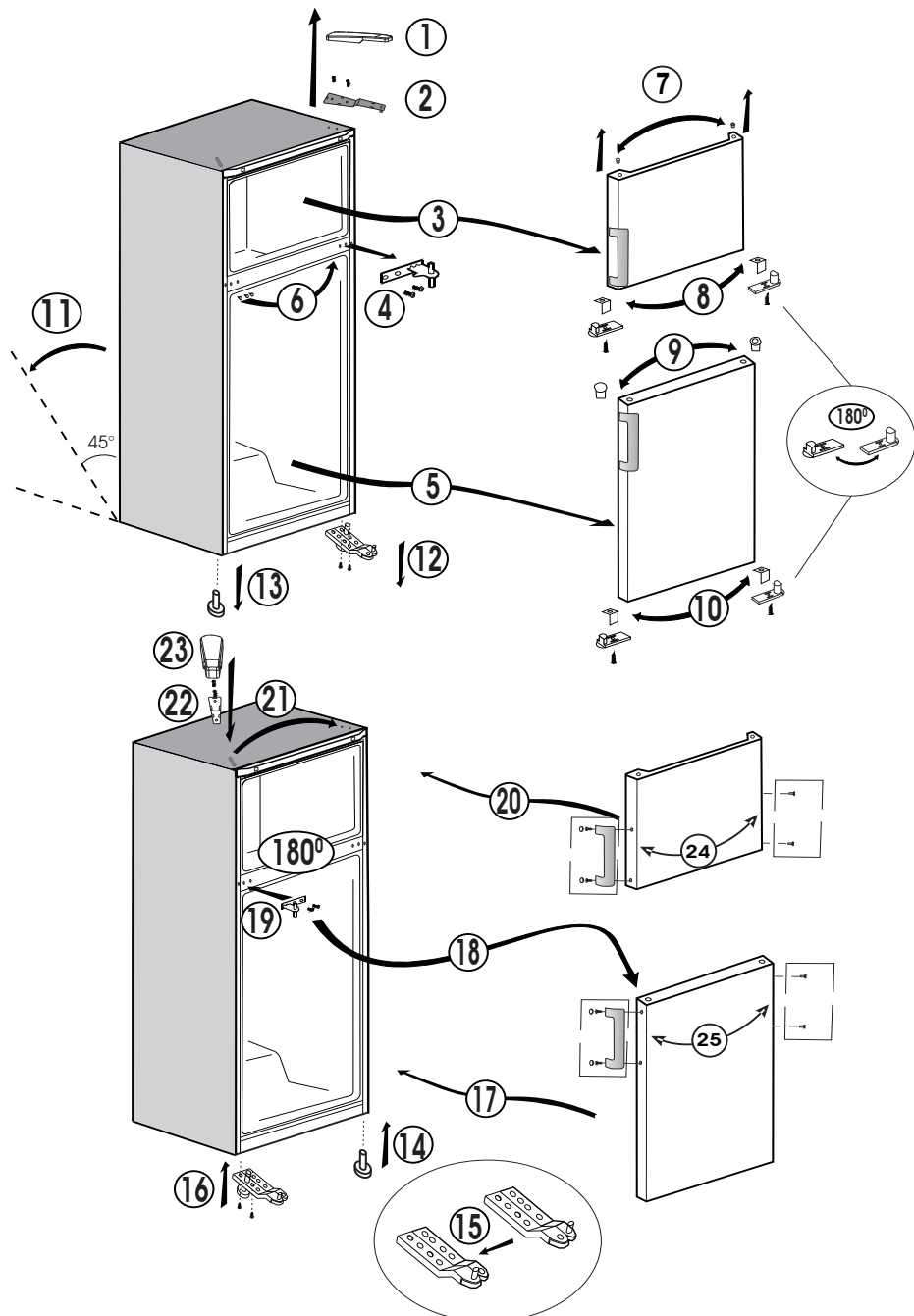


Wymiana żarówki oświetlenia wewnętrznego

Aby wymienić lampkę używaną do oświetlenia chłodziarki, prosimy wezwać autoryzowany serwis. Lampa (lampy) wykorzystywane w tym urządzeniu nie są przeznaczone do oświetlania pomieszczeń. Lampa ta ma pomagać użytkownikowi wygodnie i bezpiecznie umieszczać pożywienie w lodówce/zamrażarce. Żarówki używane w urządzeniu muszą wytrzymywać ekstremalne warunki fizyczne, jak np. temperatury poniżej -20°C.

Przekładanie drzwi

Postępuj w kolejności zgodnej z numeracją.

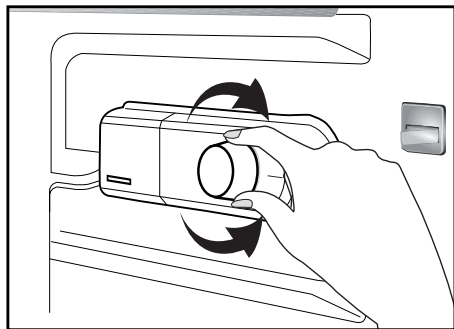


4 Przygotowanie

- i** Chłodziarkę tę należy zainstalować przynajmniej 30 cm od źródeł ciepła takich jak kuchenka, kaloryfer lub piec, i przynajmniej 5 cm od piecyka elektrycznego, a także że należy chronić ją przez bezpośrednim działaniem słońca.
- i** Temperatura otoczenia w pomieszczeniu, gdzie instaluje się chłodziarkę, powinna wynosić co najmniej 10°C. Ze względu na wydajność chłodziarki nie zaleca się użytkowania jej niższych temperaturach.
- i** Prosimy upewnić się, że wewnątrz chłodziarki zostało dokładnie oczyszczone.
- i** Jeśli zainstalowane mają być dwie chłodziarki obok siebie, należy zachować co najmniej 2 cm odstęp między nimi.
- i** Przy pierwszym uruchomieniu chłodziarki prosimy przez pierwsze sześć godzin przestrzegać następujących instrukcji.
 - Nie należy zbyt często otwierać drzwiczek.
 - Należy uruchomić ją pustą, bez żadnej żywności we wnętrzu.
 - Nie należy wyłączać wtyczki chłodziarki z gniazdka. W przypadku awarii zasilania, której nie można samemu naprawić, prosimy zastosować się do ostrzeżenia z rozdziału „Zalecane rozwiązania problemów”.
- i** Oryginalne opakowanie i elementy z pianki należy zachować do przyszłego transportu lub przewodzących.

5 Obsługa chłodziarki

Przycisk nastawiania termostatu



Temperatura wewnątrz lodówki zmienia się z następujących powodów:

- Różnice temperatur w różnych porach roku.
- Częste otwieranie drzwiczek i niezamykanie ich przez dłuższy czas.
- Wkładanie do lodówki żywności bez uprzedniego ochłodzenia jej do temperatury pokojowej.
- Umieszczenie lodówki w pokoju (np. bezpośrednie oddziaływanie słońca).
- Zmieniającą się z tych powodów temperaturę we wnętrzu lodówki można regulować przy pomocy termostatu. Liczby wokół przycisku termostatu odpowiadają różnej intensywności chłodzenia.
- Jeśli temperatura otoczenia przekracza 32°C, należy przekręcić przycisk termostatu do pozycji maksymalnej.
- Jeśli temperatura otoczenia jest niższa od 25°C, należy przekręcić przycisk termostatu do pozycji minimalnej.

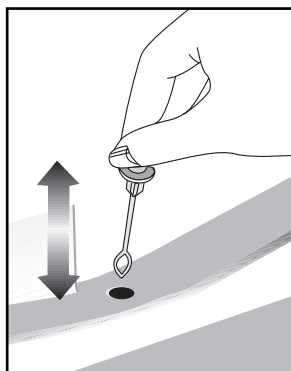
Rozmrażanie

A) Komora chłodziarki

Komora chłodzenia rozmraża się w pełni automatycznie.

Woda z rozmrażania spływa rowkiem zbierania wody i dalej rurką ściekową do parownika, skąd sama odparowuje.

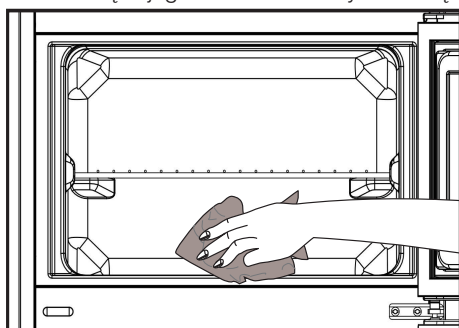
- Sprawdzajcie regularnie, czy rurka ściekowa nie zatkala się, i w razie potrzeby przetykajcie ją drążkiem.



B) Komora zamrażalnika

- W komorze głębokiego zamrażania nie ma automatycznego rozmrażania, aby zapobiec psuciu się zamrożonej żywności.
- Rozmrażaj dwa razy w roku, lub jeśli powstanie warstwa szronu ok. 7 mm grubości.
- Aby rozpocząć procedurę rozmrażania wyłącz zasilanie elektryczne gniazdka i wyjmij z niego wtyczkę chłodziarki.
- Cała żywność powinna być zawinięta w kilka warstw papieru gazetowego i złożona w chłodnym miejscu (chłodni lub spiżarni).
- Aby przyspieszyć rozmrażanie można do zamrażalnika ostrożnie wstawić naczynia z ciepłą wodą.

- Do usuwania szronu nie używaj ostro zakończonych przedmiotów takich jak noże lub widelce. Do rozmrażania nie używaj suszarek do włosów, grzejników elektrycznych, ani żadnych innych urządzeń elektrycznych.
- Użyj gąbki do usunięcia rozmrożonej wody zbierającej się na dnie komory zamrażalnika. Po rozmrażaniu starannie wytrzyj wnętrze komory do sucha.
- Włóż wtyczkę do gniazdka w ścianie i włącz jego zasilanie elektrycznością.



Hokey na co

Napełnij pojemnik na lód wodą i włóż do obudowy. Lód będzie gotowy za ok. dwie godziny.

Lód łatwo wyjąć lekko skręcając pojemnik.

Zatrzymywanie urządzenia

Jeśli termostat ma pozycję „0”:

- Urządzenie zatrzyma się po ustawieniu termostatu w pozycji ‘0’ (zero). Urządzenia nie da się uruchomić o ile ponownie nie ustawi się termostatu w pozycji „1” lub dowolnej innej pozycji.

Jeśli termostat ma pozycję „min”:

- Aby zatrzymać urządzenie wyjmij wtyczkę przewodu zasilającego z gniazdka.

6 Konserwacja i czyszczenie

- ⚠ Do czyszczenia chłodziarki nie wolno używać benzyny, benzenu, ani podobnych substancji.
- ⚠ Zaleca się wyłączenie wtyczki chłodziarki z gniazdka przed jej czyszczeniem.
- ⚠ Do czyszczenia nie wolno stosować żadnych szorstkich narzędzi ani mydła, domowych środków czystości, detergentów, ani wosku do polerowania.
- ℹ Umyj obudowę chłodziarki letnią wodą i wytrzyj ją do sucha.
- ℹ Wnętrze należy czyścić ściereczką zamoczoną i wyjętą w roztworze jednej łyżeczki do herbaty sody oczyszczonej w 0,5 litra wody, a następnie wytrzeć do sucha.
- ⚠ Zadbać, aby do obudowy lampki i innych urządzeń elektrycznych nie dostała się woda.
- ⚠ Jeśli chłodziarka ma być nieużywana przez dłuższy okres czasu, należy ją wyłączyć i całkowicie opróżnić z żywności, oczyścić i pozostawić z uchylonymi drzwiczkami.
- ℹ Regularnie sprawdzać, czy uszczelki w drzwiczkach są czyste i nie osadzają się na nich cząstki żywności.
- ⚠ Aby wyjąć półki z drzwiczek, opróżnić je z zawartości, a potem po prostu nacisnąć od podstawy ku górze.

- ⚠ Do czyszczenia powierzchni zewnętrznych i chromowanych części produktu nie należy używać ani środków czyszczących, ani wody z zawartością chloru. Chlor powoduje korozję takich powierzchni metalowych.

Zabezpieczenia powierzchni plastikowych

- ℹ Nie wkładać do chłodziarki oleju ani potraw smażonych na oleju w nieszczelnych pojemnikach, ponieważ może to uszkodzić jej plastikowe powierzchnie. W razie rozlania się lub rozsmarowania oleju na plastikowej powierzchni, od razu oczyścić i oplukać ciepłą wodą jej zabrudzoną część.

7 Zalecane rozwiązania problemów

Prosimy zapoznać się z tym wykazem przed wezwaniem serwisu. Może to oszczędzić Wasz czas i pieniądze. Wykaz ten zawiera częste kłopoty, które nie wynikają z wadliwego wykonania ani zastosowania wadliwych materiałów. Niektóre z opisanych tu funkcji mogą nie występować w tym modelu urządzenia.

Chłodziarka nie działa.

- Czy jest prawidłowo przyłączona do zasilania? Włożyć wtyczkę do gniazdka.
- Czy nie zadziałał bezpiecznik gniazdka, do którego jest przyłączona albo bezpiecznik główny? Sprawdzić bezpiecznik.

Skropliny na bocznej ścianie komory chłodzenia (MULTIZONE, COOL CONTROL oraz FLEXI ZONE).

- Bardzo niska temperatura otoczenia. Częste otwieranie i zamykanie drzwiczek. Znaczna wilgoć w otoczeniu. Przechowywanie żywności zawierającej płyny w otwartych pojemnikach. Pozostawienie uchylonych drzwiczek. Przełączyć termostat na niższą temperaturę.
- Otwierać drzwiczki na krócej albo rzadziej.
- Nakrywać żywność przechowywaną w otwartych pojemnikach odpowiednim materiałem.
- Wycierać skropliny suchą ściereczką i sprawdzać, czy nadal się utrzymują.

Sprężarka nie działa

- Zabezpieczenie termiczne sprężarki zadziała w trakcie nagłego zaniku zasilania lub załącza się i wyłącza, ponieważ nie wyrównało się jeszcze ciśnienie w systemie chłodzącym chłodziarki. Chłodziarka zacznie działać po ok. 6 minutach. Jeśli po upływie tego czasu chłodziarka nie zacznie działać, prosimy wezwać serwis.
- Chłodziarka jest w cyklu rozmrażania. Ton normalne dla chłodziarki z całkowicie automatycznym rozmrażaniem. Cykl rozmrażania następuje okresowo.
- Chłodziarka nie jest włączona do gniazdka. Upewnij się, że wtyczka jest prawidłowo włożona do gniazdka.
- Czy temperatura jest właściwie nastawiona?
- Być może w sieci nie ma prądu.

Chłodziarka pracuje często lub przez zbyt długi czas.

| |
|---|
| <ul style="list-style-type: none"> • Nowa chłodziarka jest szersza od poprzedniej. Jest to całkiem normalne. Duże chłodziarki działają przez dłuższy czas. • Zbyt wysoka temperatura otoczenia. Jest to całkiem normalne. • Chłodziarka została niedawno załączona lub jest przeładowana żywnością. Całkowite ochłodzenie chłodziarki może potrwać o parę godzin dłużej. • Ostatnio włożono do chłodziarki znaczne ilości gorącej żywności. Gorące potrawy powodują dłuższą pracę chłodziarki zanim osiągnie temperaturę przechowywania. • Zbyt często otwierano drzwiczki lub na dłużej pozostawiano je uchylone. Ciepłe powietrze, które weszło do chłodziarki, powoduje, że działa ona dłużej. Rzadziej otwierać drzwiczki. • Pozostawiono uchylone drzwiczki komory chłodzenia lub zamrażania. Sprawdzić, czy drzwiczki są szczelnie zamknięte. • Chłodziarka jest nastawiona na bardzo niską temperaturę. Nastawić chłodziarkę na wyższą temperaturę i odczekać, aż zostanie ona osiągnięta. • Uszczelka w drzwiczkach chłodziarki lub zamrażalnika jest zabrudzona, uszkodzona, pęknięta lub nieprawidłowo włożona. Oczyszczyć lub wymienić uszczelkę. Uszkodzona/pęknięta uszczelka powoduje, że chłodziarka pracuje przez dłuższy czas, aby utrzymać bieżącą temperaturę. |
| Temperatura zamrażalnika jest bardzo niska, a temperatura chłodzenia jest wystarczająca. |
| <ul style="list-style-type: none"> • Chłodziarka jest nastawiona na bardzo niską temperaturę zamrażania. Nastawić chłodziarkę na wyższą temperaturę zamrażania i sprawdzić. |
| Temperatura chłodzenia jest bardzo niska, a temperatura zamrażania jest wystarczająca. |
| <ul style="list-style-type: none"> • Chłodziarka nastawiona jest na bardzo niską temperaturę chłodzenia. Nastawić chłodziarkę na wyższą temperaturę chłodzenia i sprawdzić. |
| Żywność przechowywana w szufladach komory zamraża. |
| <ul style="list-style-type: none"> • Chłodziarka nastawiona jest na bardzo niską temperaturę chłodzenia. Nastawić chłodziarkę na wyższą temperaturę chłodzenia i sprawdzić. |
| Bardzo wysoka temperatura w chłodziarce lub zamrażalniku. |
| <ul style="list-style-type: none"> • Chłodziarka nastawiona jest na bardzo wysoką temperaturę chłodzenia. Nastawienia chłodziarki wpływają na temperaturę w zamrażalniku. Zmienić temperaturę w chłodziarce lub zamrażalniku aż osiągnie odpowiedni poziom. • Zbyt często otwierano drzwiczki lub na dłużej pozostawiano je uchylone, należy je rzadziej otwierać. • Drzwiczki pozostawiono uchylone, należy je dokładnie zamknąć. • Ostatnio włożono do chłodziarki znaczne ilości gorącej żywności. Odczekać, aż temperatura w chłodziarce lub zamrażalniku osiągnie właściwy poziom. • Chłodziarkę załączono niedawno. Całkowite chłodzenie chłodziarki trochę potrwa. |
| Gdy chłodziarka pracuje, poziom hałasu wrasta. |
| <ul style="list-style-type: none"> • Z powodu zmian temperatury otoczenia zmieniły się charakterystyki eksploatacyjne chłodziarki. Jest to stan normalny, nie zaś awaria. |
| Drgania lub hałas. |

| |
|--|
| <ul style="list-style-type: none"> Nierówna lub słaba podłoga. Chłodziarka podskakuje, gdy porusza się ją powoli. Sprawdź, czy podłoga jest równa i wytrzymuje ciężar chłodziarki. Hałas powodują rzeczy położone na chłodziarce. Należy usunąć przedmioty ustawione na chłodziarce. |
| Z chłodziarki dochodzą odgłosy przelewania się i syczenia płynu. |
| <ul style="list-style-type: none"> Zgodnie z zasadą funkcjonowania chłodziarki następują przepływy płynu lub gazu. Jest to stan normalny, nie zaś awaria. |
| Odgłos jakby szumu wiatru. |
| <ul style="list-style-type: none"> Do ochłodzenia chłodziarki użyto wentylatorów. Jest to stan normalny, nie zaś awaria. |
| Skropliny na wewnętrznych ściankach chłodziarki. |
| <ul style="list-style-type: none"> Ciepła i wilgotna pogoda sprzyja oblodzeniu i skraplaniu. Jest to stan normalny, nie zaś awaria. Drzwiczki mogą być uchylone, upewnij się, że są całkowicie zamknięte. Zbyt często otwierano drzwiczki lub na dłużej pozostawiano je uchylone, należy je rzadziej otwierać. |
| Na zewnątrz chłodziarki, lub pomiędzy drzwiczkami pojawia się wilgoć. |
| <ul style="list-style-type: none"> Być może w powietrzu jest wilgoć; to całkiem normalne przy wilgotnej pogodzie. Gdy wilgoć w powietrzu ustąpi, skropliny znikną. |
| Nieprzyjemna woń wewnątrz chłodziarki. |
| <ul style="list-style-type: none"> Trzeba oczyścić wewnątrz chłodziarki. Oczyść wewnątrz chłodziarki gąbką namoczoną w ciepłej lub gazowanej wodzie. Woń powodują jakieś pojemniki lub materiały opakowaniowe. Używać innych pojemników lub materiałów opakowaniowych innej marki. |
| Drzwiczki są niezamknięte. |
| <ul style="list-style-type: none"> W zamknięciu drzwiczek przeszkadzają paczki z żywnością. Przełożyć paczki przeszkadzające zamknięciu drzwiczek. Chłodziarka nie stoi całkiem pionowo na podłodze i kiwa się przy lekkim poruszeniu. Wyregulować wysokość nóżek. Podłoga nie jest równa lub dość wytrzymała. Sprawdzić, czy podłoga jest równa i wytrzymuje ciężar chłodziarki. |
| Szuflady do przechowywania świeżych warzyw się zatęrzyły. |
| <ul style="list-style-type: none"> Żywność dotyka sufitu szuflady. Zmienić ułożenie żywności w szufladzie. |

Gwarancja jakości

Twój produkt marki BEKO posiada gwarancję jakości udzieloną przez Beko S.A z siedzibą w Warszawie ul. Puławska 366, 02-819 Warszawa (dalej Gwarant). Gwarancja jakości udzielana jest wyłącznie na produkty marki BEKO wprowadzane do obrotu na terytorium Rzeczypospolitej Polskiej przez Gwaranta. Termin gwarancji wynosi 24 miesiące od daty zakupu produktu. Oświadczenie gwarancyjne określające warunki gwarancji znajdziesz na stronie internetowej www.beko.pl w sekcji serwis.

Warunkiem wykonywania uprawnień z gwarancji jest przedstawienie dowodu zakupu produktu lub zarejestrowanie produktu na stronie www.beko.pl w sekcji serwis.

Zarejestruj swój produkt.

Załącz konto oraz zarejestruj teraz swój produkt marki BEKO objęty gwarancją na naszej stronie internetowej www.beko.pl w sekcji serwis. Dzięki temu nie będziesz musiał się martwić w sytuacji gdy zgubisz dowód zakupu. Ponadto będziesz miał możliwość otrzymania oświadczenia gwarancyjnego w postaci „cyfrowej karty gwarancyjnej”.

Obsługa klienta – infolinia 22 250 14 14

W celu zgłoszenia reklamacji lub usterki produktu marki BEKO prosimy o kontakt telefoniczny z infolinią . Nasi konsultanci pomogą ci rozwiązać problem lub skierują do właściwego serwisu BEKO.

Infolinia czynna jest 7 dni w tygodniu od 8.00 do 20:00.

* Koszt połączenia jak za połączenie lokalne (z telefonu stacjonarnego) lub według stawek operatora sieci komórkowej.



Podpis i pieczęć instalatora (z numerem uprawnień) w przypadku montażu urządzeń gazowych lub płyt i piekarników elektrycznych

Aby otrzymać więcej informacji dotyczących serwisu BEKO np. gdzie kupić części zamienne lub akcesoria należy odwiedzić stronę internetową www.beko.pl i wybrać zakładkę serwis.

Nejprve si přečtěte tento návod!

Vážený zákazníku,

Doufáme, že výrobek, který byl vyroben v moderních závodech a kontrolován v souladu s nejpřísnějšími postupy kontroly kvality, vám zajistí účinný provoz.




Proto vám doporučujeme pozorně si přečíst celý návod k výrobku, než jej použijete, a uskladnit je v dosahu pro budoucí použití.

Tento návod

- Pomůže vám s použitím spotřebiče rychle a bezpečně.
 - Návod si přečtěte dříve, než produkt nainstalujete a zapnete.
 - Dodržujte pokyny, zejména ty, které se týkají bezpečnosti.
 - Návod uschovejte na snadno přístupném místě, možná jej budete později potřebovat.
 - Kromě toho si přečtěte i další dokumenty dodané s výrobkem.
- Nezapomeňte, že tento návod může platit i pro jiné modely.

Symbyly a jejich popis

Tento návod obsahuje následující symbyly:

-  Důležité informace nebo užitečné tipy k použití.
-  Varování před nebezpečnými situacemi pro život a majetek.
-  Varování na elektrické napětí.

OBSAH

1 Vaše chladnička 3

2 Důležitá bezpečnostní upozornění 4

| | |
|--|---|
| Určené použití | 4 |
| Obecná bezpečnost | 4 |
| U výrobků s dávkovačem vody; | 6 |
| Bezpečnost dětí | 6 |
| Dodržování směrnice WEEE a o likvidaci odpadů: | 6 |
| Dodržování směrnice RoHS:..... | 6 |
| Informace o balení | 6 |
| Upozornění HCA | 7 |
| Postup pro úsporu energie | 7 |

3 Instalace 8

| | |
|---|----|
| Body ke zvážení při přepravě chladničky | 8 |
| Než chladničku zapnete..... | 8 |
| Zapojení do sítě..... | 8 |
| Likvidace obalu..... | 9 |
| Likvidace vaší staré chladničky | 9 |
| Umístění a instalace..... | 9 |
| Nastavování nožek | 9 |
| Výměna vnitřní žárovky | 9 |
| Změna dvířek | 10 |

4 Příprava 11

5 Používání chladničky 12

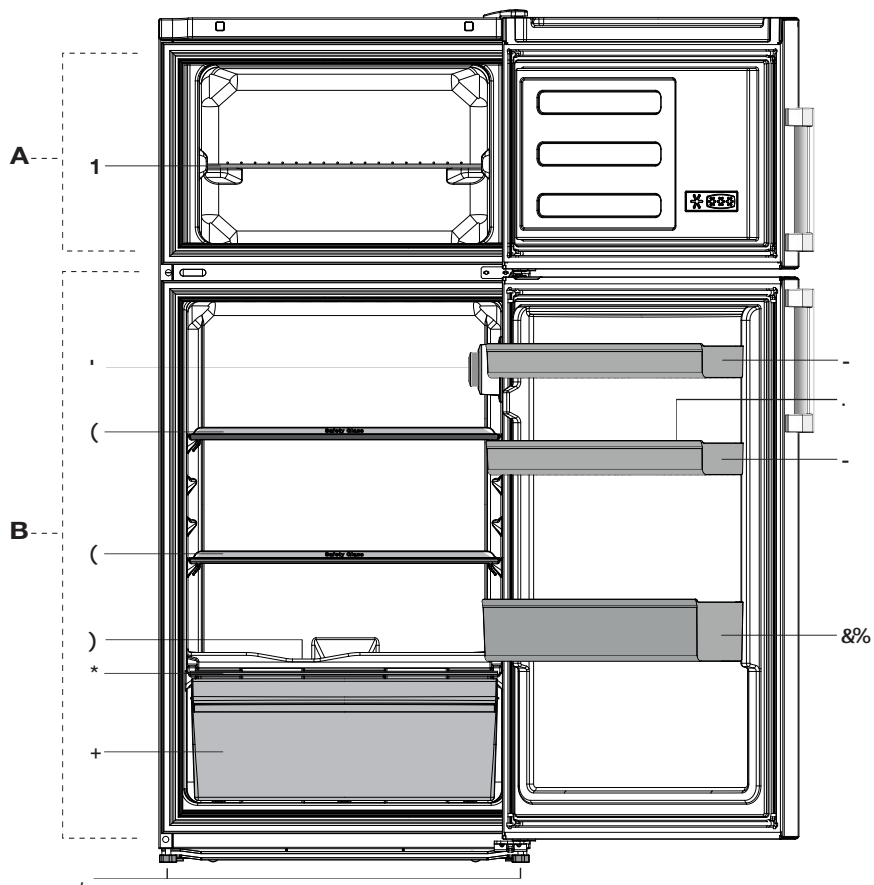
| | |
|-------------------------------------|----|
| Tlačítko nastavení termostatu | 12 |
| Odmrazení..... | 12 |
| Výroba ledu | 13 |
| Vypínání výrobku | 13 |

6 Údržba a čištění 14

| | |
|--------------------------------|----|
| Ochrana plastových ploch | 14 |
|--------------------------------|----|

7 Doporučená řešení problémů 15

1 Vaše chladnička



- A- Prostor mrazničky
- B- Prostor chladničky
- 1- Police mrazničky
- 2- Umístění termostatu a světla
- 3- Nastavitelné poličky
- 4- Kanál pro sběr odmrážené vody – odčerpávací trubice
- 5- Kryt prostoru pro čerstvé potraviny
- 6- Prostor pro křehký salát
- 7- Nastavitelné přední nožky
- 8- Poličky ve dveřích
- 9- Táček na vejce
- 10- Police na lahve

i Obrázky uvedené v tomto návodu k použití jsou schematické a nemusí přesně korespondovat s vaším výrobkem. Pokud zobrazené části nejsou obsaženy v produktu, který jste zakoupili, jde o součásti jiných modelů.

2 Důležitá bezpečnostní upozornění

Prostudujte si následující informace. Nedodržení těchto informací může vést ke zraněním nebo škodám na majetku. Jinak neplatí záruka ani jiné závazky.

Určené použití

Tento výrobek je určen pro použití

- uvnitř a v uzavřených oblastech, jako jsou domy;
- v uzavřených pracovních prostředích, jako jsou obchody a kanceláře;
- v uzavřených obytných oblastech, jako jsou farmy, hotely, penziony.
- Nepoužívejte přístroj venku.

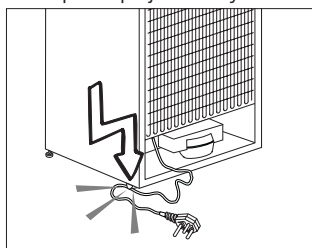
Obecná bezpečnost

- Když chcete výrobek zlikvidovat/ sešrotovat, doporučujeme kontaktovat autorizovaný servis, kde zjistíte nezbytné informace a autorizované orgány.
- Veškeré otázky a problémy související s chladničkou vám pomůže vyřešit autorizovaný servis. Nezasahujte do chladničky a nikomu toto nedovolte bez upozornění autorizovaného servisu.
- U výrobků s prostorem mrazničky; Nejezte zmrzlinu a kostky ledu bezprostředně poté, co je vyjmete z prostoru mrazničky! (Může dojít k omrznutí úst.)
- U výrobků s prostorem mrazničky; Nevkládejte do prostoru mrazničky nápoje v lahvích a plechovkách. Jinak by mohlo dojít k jejich explozi.

- Nedotýkejte se mražených potravin rukou; mohou se vám přilepit k ruce.
- Odpojte chladničku, než ji vyčistíte nebo odmrazíte.
- Výpary a páni čisticí materiály nikdy nepoužívejte při čištění a odmrazování chladničky. V těchto případech by se totiž výpary mohly dostat do styku s elektrickými součástmi a způsobit zkrat či zásah elektrickým proudem.
- Nikdy nepoužívejte součásti na chladničce, jako je ochranná deska, jako dvířka nebo podprěru nebo schůdek.
- Nepoužívejte elektrická zařízení uvnitř chladničky.
- Nepoškozujte součásti, kde obíhá chladicí médium, vrtáním nebo řezáním. Chladicí médium by mohlo vytéct v místech porušení plynových kanálů výparníku, prodloužených trubek nebo povrchových vrstev a způsobit podráždění kůže a zranění očí.
- Nezakrývejte a neblokuje větrací otvory na chladničce žádným materiálem.
- Elektrické spotřebiče musejí opravovat jen autorizované osoby. Opravy provedené nekompetentními osobami mohou vést k ohrožení uživatele.
- V případě poruchy nebo při údržbě či opravách odpojte napájení chladničky buď vypnutím příslušné pojistky nebo odpojením spotřebiče.
- Netahujte za kabel – tahejte za zástrčku.
- Nápoje umísťujte zavřené a ve svislé poloze.

- Nikdy neskladujte nádoby s hořlavými spreji a výbušnými látkami v chladničce.
- Nepoužívejte mechanické nástroje nebo jiné prostředky k urychlení procesu odmrazení s výjimkou těch, které doporučuje výrobce.
- Tento výrobek by neměly používat osoby s tělesnými, smyslovými nebo duševními poruchami či nezkušené nebo nepoučené osoby (včetně dětí), pokud jsou bez dohledu osoby, která bude odpovídat za jejich bezpečnost nebo která jim poskytne náležitě školení k používání výrobku
- Nepoužívejte poškozenou chladničku. V případě jakýchkoli pochybností kontaktujte servisního zástupce.
- Elektrická bezpečnost chladničky je zaručena pouze tehdy, pokud systém uzemnění ve vašem domě splňuje patřičné normy.
- Vystavení výrobku dešti, sněhu, slunci a větru je nebezpečné z hlediska elektrické bezpečnosti.
- Pokud dojde k poškození napájecího kabelu, kontaktujte autorizovaný servis.
- Během instalace nikdy nezapojte chladničku k zásuvce. Jinak může dojít k ohrožení zdraví s následkem smrti.
- Tato chladnička je určena jen k uchování potravin. Neměla by být používána k žádnému jinému účelu.
- Štítek s technickými parametry se nachází na levé stěně uvnitř chladničky.
- Nikdy nepřipojujte chladničku k systémům pro úsporu elektřiny; mohly by chladničku poškodit.
- Pokud na chladničce svítí modré světlo, nedívejte se do něj optickými nástroji.

- U manuálně ovládaných chladniček počkejte nejméně 5 minut, než chladničku po výpadku energie znovu spustíte.
- Tento návod k použití předejte novému majiteli v případě prodeje výrobku.
- Při přepravě chladničky nepoškozujte napájecí kabel. Ohnutím kabelu může dojít k požáru. Na napájecí kabel nikdy nestavte těžké předměty. Nedotýkejte se zástrčky mokřima rukama při zapojování výrobku.



- Nezapojte chladničku, pokud je zásuvka uvolněna.
- Nestříkejte vodu přímo na vnitřní či vnější části výrobku z bezpečnostních důvodů.
- Do blízkosti chladničky nestříkejte látky s hořlavými plyny, jako je propan, aby nedošlo k požáru a výbuchu.
- Na horní stranu chladničky nikdy nestavte nádoby naplněné vodou, jinak by mohlo dojít k zásahu elektrickým proudem nebo k požáru.
- Do chladničky nevkládejte přílišná množství potravin. Při přeplnění mohou potraviny spadnout dolů a poranit vás a poškodit chladničku při otevření dveří. Na horní stranu chladničky nic nestavte; tyto předměty by jinak mohly spadnout, až otevřete nebo zavřete dvířka chladničky.

- Jelikož vakcíny, léky citlivé na teplo a vědecké materiály atd. vyžadují přesnou teplotu, neskladujte je tedy v této chladničce.
- Pokud chladničku delší dobu nebudete používat, odpojte ji. Možný problém napájecího kabelu by mohl způsobit požár.
- Konec zástrčky pravidelně čistěte; jinak by mohl způsobit požár.
- Konec zástrčky pravidelně čistěte suchým hadříkem; jinak by mohl způsobit požár.
- Chladničku se může pohybovat, pokud její nožky nejsou řádně upevněny na podlaze. Správným nastavením nožek na podlaze předejdete pohybu chladničky.
- Při přenášení chladničky ji nedržte za kliku dvířek. Jinak by se mohla odlomit.
- Když musíte postavit tento výrobek vedle jiné chladničky nebo mrazničky, vzdálenost mezi zařízeními by měla být nejméně 8 cm. Jinak by mohlo dojít k provlhnutí sousedních stěn.

U výrobků s dávkovačem vody;

- Tlak vody by měl být minimálně 1 bar. Tlak vody by měl být maximálně 8 barů.
- Používejte jen pitnou vodu.

Bezpečnost dětí

- Pokud mají dvířka zámek, měli byste skladovat klíč mimo dosah dětí.
- Děti je nutno kontrolovat, aby nezasahovaly do součástí výrobku.

Dodržování směrnice WEEE a o likvidaci odpadů:



Tento produkt splňuje směrnici EU WEEE (2012/19/EU). Tento výrobek nese symbol pro třídění, platný pro elektrický a elektronický odpad (WEEE).

Tento produkt byl vyroben z vysoce kvalitních součástí a materiálů, které lze znovu použít a které jsou vhodné pro recyklaci. Produkt na konci životnosti nevyhazujte do běžného domácího odpadu. Odveďte ho do sběrného místa pro recyklaci elektrických a elektronických zařízení. Informace o těchto sběrných místech získáte na místních úřadech.

Dodržování směrnice RoHS:

Produkt, který jste zakoupili splňuje směrnici EU RoHS (2011/65/EU). Neobsahuje žádné škodlivé ani zakázané materiály, které jsou směrnicí zakázané.

Informace o balení

Balící materiály jsou vyrobeny z recyklovatelných materiálů v souladu s našimi národními směrnicemi na ochranu životního prostředí. Balící materiály nevyhazujte do domácího nebo jiného odpadu. Odveďte je na sběrné místo balícího materiálu, které má pověření místních orgánů.

Upozornění HCA

Pokud chladicí systém vašeho výrobku obsahuje R600a:

Tento plyn je hořlavina. Dávejte tedy pozor, abyste nepoškodili systém chlazení a potrubí během použití a přepravy. V případě poškození udržujte výrobek mimo potenciální zdroje hoření, které mohou způsobit vznícení výrobku, a vyvětrejte místnost, v níž je přístroj umístěn.

Ignorujte toto upozornění, pokud chladicí systém vašeho výrobku obsahuje R134a.

Typ plynu použitý ve výrobku je uveden na typovém štítku na levé stěně uvnitř chladničky.

Výrobek nikdy nevhazujte do ohně.

Postup pro úsporu energie

- Nenechávejte dvířka chladničky otevřená delší dobu.
- Nevkládejte do chladničky horké potraviny nebo nápoje.
- Nepřepíňujte chladničku, abyste nebránili oběhu vzduchu uvnitř.
- Neinstalujte chladničku na přímé sluneční světlo nebo do blízkosti tepelných spotřebičů, jako je trouba, myčka nebo radiátor.
- Dávejte pozor, abyste nechávali potraviny v uzavřených nádobách.
- U výrobků s prostorem mrazničky; Maximální množství potravin v mrazničce můžete uskladnit, pokud vyjmete polici nebo zásuvku mrazničky. Hodnota spotřeby energie udaná pro vaši chladničku byla stanovena při vyjmuté polici nebo zásuvce mrazničky a při maximální náplni. Nehrozí riziko při používání police nebo zásuvky podle tvarů a rozměrů potravin, které chcete mrazit.
- Rozmrazování zmražených potravin v prostoru chladničky zajistí úsporu energie a zachová kvalitu potravin.

3 Instalace

⚠ Nezapomeňte, že výrobce neodpovídá za nedodržení informací uvedených v návodu k použití.

Body ke zvážení při přepravě chladničky

1. Chladničku je nutno vyprázdnit a vyčistit před jakoukoli přepravou.
2. Police, příslušenství, prostor pro čerstvé potraviny atd. v chladničku je nutno řádně upoutat lepicí páskou, aby nedocházelo k vibracím.
3. Obaly je nutno upevnit silnými páskami a lany a je nutno dodržovat pravidla pro přepravu vytištěná na obalu.

Nezapomeňte...

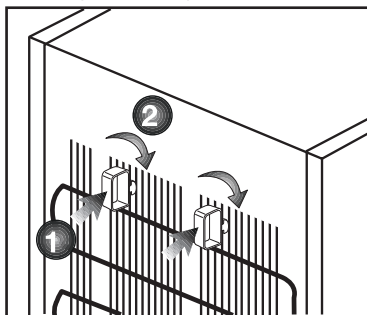
Každý recyklovaný materiál je nezbytný zdroj pro přírodu a naše národní zdroje. Pokud chcete přispět k recyklaci obalových materiálů, další informace získáte od orgánů ochrany životního prostředí nebo místních úřadů.

Než chladničku zapnete

Než začnete používat chladničku, zkontrolujte následující:

1. Je vnitřek chladničky suchý a může za ní volně obíhat vzduch?
2. Vyčistíte vnitřek chladničky podle kapitoly „Údržba a čištění“.
3. Zapojte chladničku do sítě. Po otevření dvířek se rozsvítí vnitřní osvětlení prostoru chladničky.
4. Uslyšíte hluk při startování kompresoru. Kapalina a plyn v chladicí soustavě mohou také vydávat zvuky, i když kompresor neběží, což je poměrně normální.
5. Přední kraje chladničky mohou být teplé. Je to zcela normální. Tyto oblasti mají být teplé, aby nedocházelo ke kondenzaci.

6. Oba plastové klínky můžete nainstalovat podle obrázku. Plastové klínky zajistí potřebnou vzdálenost mezi vaší chladničkou a zdí, aby se zajistilo proudění vzduchu. (Uvedený obrázek je jen příklad a neshoduje se přesně s vaším výrobkem.)



Zapojení do sítě

Připojte výrobek k uzemněné zásuvce, která je chráněna pojistkou vhodné kapacity.

Důležité:

- Spojení musí být v souladu s národními předpisy.
 - Napájecí kabel musí být po instalaci snadno dostupný.
 - Specifikované napětí musí být rovné napětí v síti.
 - K připojení nepoužívejte prodlužovací kabely a vícecestné zásuvky.
- ⚠ Poškozený napájecí kabel musí vyměnit kvalifikovaný elektrikář.
- ⚠ Výrobek nesmíte používat, dokud není opraven! Hrozí riziko zásahu elektrickým proudem!

Likvidace obalu

Obalové materiály mohou být pro děti nebezpečné. Udržujte materiály mimo dosah dětí nebo je zlikvidujte v souladu s pokyny zpracování odpadů. Nelikvidujte je s běžným domovním odpadem.

Balení chladničky je z recyklovatelných materiálů.

Likvidace vaší staré chladničky

Starý přístroj zlikvidujte tak, abyste neohrozili životní prostředí.

- Informace o likvidaci chladničky získáte u autorizovaného prodejce nebo odpadového odboru vašeho města.

Před likvidací vaší chladničky odřízněte zástrčku a v případě, že jsou na dveřích zámky, zneškodněte je, aby nedošlo k ohrožení dětí.

Umístění a instalace

⚠ Pokud nejsou vstupní dveře do místnosti, v níž chladničku nainstalujete, dostatečně široké, aby chladnička prošla, kontaktujte autorizovaný servis a nechte sejmut dveře chladničky a protáhněte je bokem.

1. Chladničku umístěte na místo, které umožňuje snadnou obsluhu.
2. Chladničku umístěte mimo zdroje tepla, vlhka a přímé světlo.
3. Kolem chladničky musí být dostatečný prostor pro ventilaci, aby se zajistila účinnost provozu.

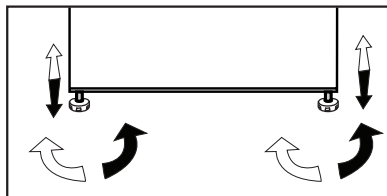
Pokud máte chladničku umístit do výklenku, musí být nejméně 5 cm od stropu a 5 cm od stěn.

Pokud je na podlaze koberec, musíte zvednout produkt o 2,5 cm nad zem.

4. Umístěte chladničku na rovnou podlahu, aby nedocházelo ke kymácení.
5. Neskladujte chladničku při teplotách pod 10°C.

Nastavování nožek

Pokud je vaše chladnička nevyvážená; Chladničku vyrovnáte tak, že otáčíte předními nožkami podle obrázku. Roh, kde jsou umístěny nožky, se sníží, když otáčíte ve směru černé šipky, zvedne se, když otáčíte opačným směrem. Pokud vám někdo pomůže nadzvednout chladničku, proces se usnadní.



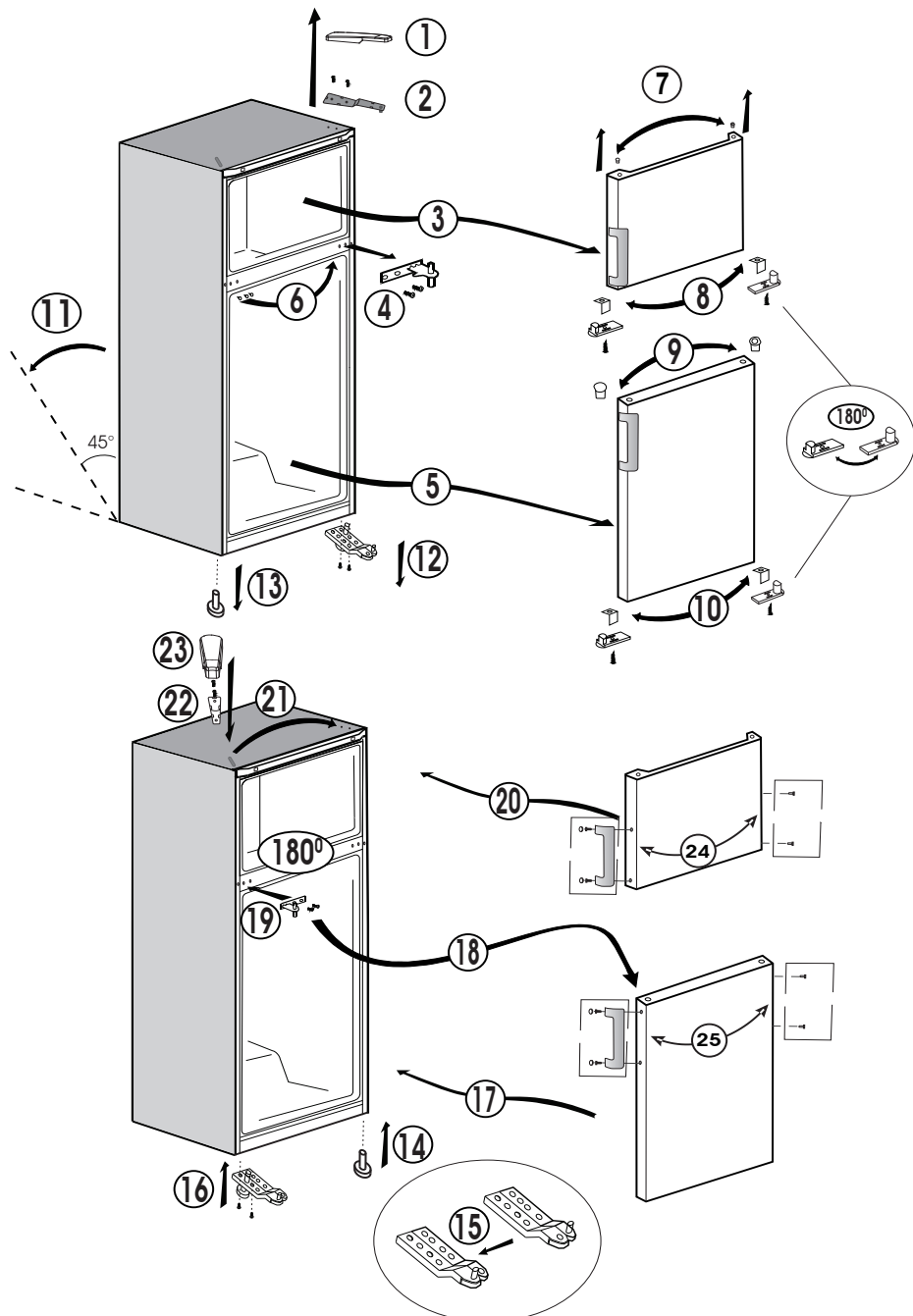
Výměna vnitřní žárovky

Za účelem výměny žárovky osvětlení v chladničce prosím kontaktujte Autorizovaný servis. Lampa (y) použité v tomto přístroji nejsou vhodné pro osvětlení místnosti domácnosti. Zamýšlený účel tohoto svítidla je pomoci uživateli umístit potraviny do chladničky / mrazničky bezpečně a pohodlně.

Žárovky použité v tomto spotřebiči musí vydržet extrémní fyzické podmínky, např. teploty pod -20°C.

Změna dvířek

Postupujte podle pořadí.

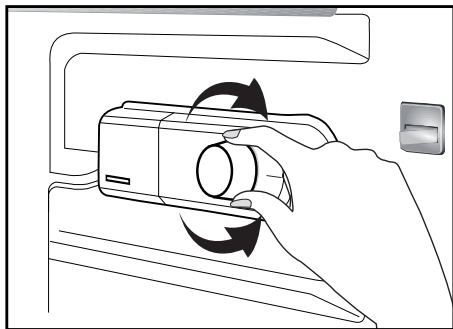


4 Příprava

- i** Chladničku instalujte nejméně 30 cm od zdrojů tepla, jako jsou varné desky, trouby, ústřední topení a sporáky a nejméně 5 cm od elektrických trub, neumísťujte ji na přímé sluneční světlo.
- i** Teplota prostředí v místnosti, kde instalujete chladničku, by měla být nejméně 10 °C. Používání chladničky za chladnějších podmínek se nedoporučuje vzhledem k její účinnosti.
- i** Zajistěte, aby byl vnitřek vaší chladničky důkladně vyčištěn.
- i** Pokud vedle sebe instalujete dvě chladničky, měl by mezi nimi být rozestup nejméně 2 cm.
- i** Když spustíte chladničku poprvé, dodržujte následující pokyny během prvních šesti hodin.
 - Dveře neotevírejte často.
 - Musí běžet prázdná bez vkládání potravin.
 - Neodpojujte chladničku. Pokud dojde k výpadku energie, prostudujte si varování v kapitole „Doporučená řešení problémů“.
- i** Původní obaly a pěnové materiály uschovejte pro budoucí přepravu či přesun.

5 Používání chladničky

Tlačítko nastavení termostatu



Vnitřní teplota chladničky se mění z následujících důvodů:

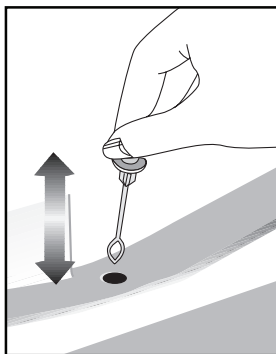
- Teploty podnebí.
- Časté otevírání dveří a nechávání dveří dlouho otevřených.
- Vložené jídlo do chladničky bez ochlazení na pokojovou teplotu.
- Umístění chladničky v místnosti (např. na slunci).
- Můžete upravit teplotu uvnitř z těchto důvodů pomocí termostatu. Čísla kolem tlačítka termostatu označují stupně chlazení.
- Pokud je teplota vyšší než 32°C, otočte tlačítko termostatu na maximum.
- Pokud je teplota nižší než 25°C, otočte tlačítko termostatu na minimum.

Odmrazení

A) Prostor chladničky

V prostoru chladničky dochází k plně automatickému odmrazení. Voda po odmrazení stéká do drážky pro sběr vody a teče do výparníku odvodňovací trubící, kde se sama vypařuje.

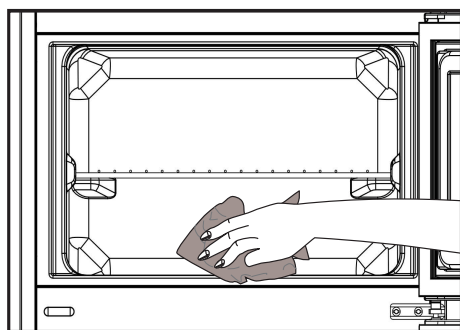
- Pravidelně kontrolujte průchodnost odvodňovací trubice a podle potřeby ji čistěte.



B) Prostor mrazničky

- Prostor mrazničky se automaticky neodmrazuje, aby nedošlo ke snížení kvality zmrazených potravin.
- Odmrazujte dvakrát ročně nebo tehdy, když se utvoří vrstva námrazy asi 7 mm.
- Pro spuštění procesu odmrazování vypněte přístroj ze sítě.
- Všechny potraviny zabalte do několika vrstev novinového papíru a uskladněte na chladném místě (např. chladnička nebo spíž).
- Nádoby s teplou vodou lze umístit opatrně do mrazničky, urychlí se tím odmrazování.

- Námrazu neodstraňujte špičatými nebo ostrými předměty, jako jsou nože nebo vidličky. Nepoužívejte sušiče na vlasy, elektrické radiátory nebo jiné elektrické spotřebiče na odmražení.
- Odmraženou vodu setřete houbičkou ze dna prostoru mrazničky. Po odmražení vnitřek pečlivě vysušte.
- Zasuňte zásuvku do sítě a zapněte přívod elektrické energie.



Výroba ledu

Naplňte nádobu na led vodou a uložte na místo. Příprava ledu trvá cca dvě hodiny.

Led snadno vyjmete nepatrným nakroucením nádoby na led.

Vypínání výrobku

Pokud je termostat vybaven pozicí "0":

- Zařízení přestane fungovat, když otočíte tlačítko termostatu do pozice „0“ (nula). Výrobek se nespustí, dokud neotočíte tlačítko termostatu do pozice "1" nebo jedné z dalších pozic.

Pokud je termostat vybaven pozicí "min":

- Výrobek vypnete odpojením napájecího kabelu.

6 Údržba a čištění

- ⚠ Nikdy na čištění nepoužívejte benzín, technický benzín a podobné materiály.
- ⚠ Doporučujeme odpojit přístroj od sítě, než jej začnete čistit.
- ⚠ Nikdy nepoužívejte brusné nástroje, mýdlo, domovní čistič, odmašťovač či voskové čisticí.
- i** Použijte vlažnou vodu pro vyčištění skříně a otřete ji pak dosucha.
- i** Použijte vlhký hadřík namočený do roztoku jedné čajové lžičky sody bikarbony na půl litru vody na vyčištění vnitřku, pak jej dosucha otřete.
- ⚠ Zajistěte, aby do krytu světla a jiných elektrických prvků nepronikla voda.
- ⚠ Pokud chladničku delší dobu nebudete používat, odpojte napájecí kabel, vyjměte všechny potraviny, vyčistěte jej a nechte dveře otevřené.
- i** Pravidelně kontrolujte těsnění dvířek, abyste zajistili jejich čistotu a nezanesení částicemi potravin.
- ⚠ Pro odstranění polic ve dveřích odstraňte všechny obsah a pak jen zvedněte dveřní polici vzhůru ze základny.

⚠ K čištění vnějších povrchů a chrómem potažených součástí produktu nikdy nepoužívejte čisticí prostředky nebo vodu, která obsahuje chlór. Chlór způsobuje korozi takových kovových povrchů.

Ochrana plastových ploch

i Nevkládejte tekuté oleje nebo pokrmy s obsahem oleje do chladničky v neuzavřených nádobách, jelikož poškodí plastovou plochu vaší chladničky. V případě rozlití nebo rozetření oleje na plastové ploše vyčistěte a opláchněte příslušnou část plochy teplou vodou.

7 Doporučená řešení problémů

Než zavoláte do servisu, projděte si tento seznam. Možná vám ušetří čas a peníze. Tento seznam obsahuje časté stížnosti, které nejsou způsobeny vadným zpracováním či použitými materiály. Některé zde uvedené funkce nemusejí být přítomny na vašem výrobku.

Chladnička nefunguje.

- Je chladnička řádně zapojena? Zasuňte zástrčku do sítě.
- Není vypálena pojistka zásuvky, do níž je chladnička zapojena, nebo hlavní pojistka? Zkontrolujte pojistku.

Kondenzace na boční stěně prostoru chladničky (MULTIZONE, COOL CONTROL a FLEXI ZONE).

- Velmi nízká teplota prostředí. Časté otevírání a zavírání dveří. Vysoká vlhkost v prostředí. Skladování potravin s obsahem kapalin v otevřených nádobách. Nechání otevřených dveří. Přepnutí termostatu na nižší teplotu.
- Snížení času otevřených dveří nebo méně časté použití.
- Zakrytí potravin v otevřených nádobách vhodným materiálem.
- Otřete kondenzaci suchým hadrem a ověřte, zda je stále přítomna.

Kompresor neběží

- Tepelná pojistka kompresoru se zapne během náhlého výpadku energie nebo odpojení a zapojení, jelikož tlak chladicího média v chladicí soustavě chladničky není dosud vyvážen. Vaše chladnička začne fungovat asi po 6 minutách. Kontaktujte servis, pokud se chladnička nespustí ani po této době.
- Chladnička je v režimu odmrazování. Toto je normální pro chladničku s plně automatickým odmrazováním. Cyklus odmražení probíhá pravidelně.
- Chladnička není zapojena do zásuvky. Ověřte, zda je zástrčka řádně zasunuta do zásuvky.
- Je správně nastavena teplota?
- Možná je odpojeno napájení.

Chladnička často běží nebo běží dlouhodobě.

- Nový výrobek může být širší než předchozí. Je to zcela normální. Větší chladničky fungují delší dobu.
- Okolní teplota v místnosti je možná vysoká. Je to zcela normální.
- Chladnička možná byla nedávno zapojena nebo byla naplněna potravinami. Ochlazování chladničky může trvat o pár hodin déle.
- V nedávné době jste do chladničky vložili velké množství teplých pokrmů. Horké pokrmy způsobují delší fungování chladničky až do dosažení bezpečné teploty pro uchování.
- Dveře se mohly otevírat častěji nebo byly ponechány dlouhou dobu otevřené. Teplý vzduch, který pronikl do chladničky, způsobil dlouhodobější chod chladničky. Otevírejte dveře méně často.
- Mraznička nebo dveře chladničky zůstaly dokořán. Zkontrolujte, zda jsou dveře pevně zavřeny.
- Chladnička je nastavena na velmi nízkou teplotu. Upravte teplotu chladničky na vyšší hodnotu a počkejte na dosažení této teploty.
- Těsnění dveří chladničky nebo mrazničky může být ušpiněno, opotřebené, prasklé nebo nesprávně usazené. Vyčistěte nebo vyměňte těsnění. Poškození/prasklé těsnění způsobuje dlouhodobý chod chladničky pro udržení správné teploty.

Teplota mrazničky je velmi nízká, zatímco teplota v chladničce je dostatečná.

- Teplota mrazničky je nastavena na velmi nízkou teplotu. Upravte teplotu mrazničky na vyšší hodnotu a zkontrolujte ji.

Teplota chladničky je velmi nízká, zatímco teplota v mrazničce je dostatečná.

- Teplota chladničky může být nastavena na velmi nízkou teplotu. Upravte teplotu chladničky na vyšší hodnotu a zkontrolujte ji.

Jídlo v chladničce začíná mrznout.

- Teplota chladničky může být nastavena na velmi nízkou teplotu. Upravte teplotu chladničky na vyšší hodnotu a zkontrolujte ji.

Teplota v mrazničce nebo chladničce je velmi vysoká.

- Teplota chladničky může být nastavena na velmi vysokou teplotu. Nastavení chladničky má vliv na teplotu v mrazničce. Změňte teplotu chladničky nebo mrazničky, dokud teplota v chladničce nebo mrazničce nedosáhne dostatečné hodnoty.
- Dveře se mohly otevřít častěji nebo byly ponechány dlouhou dobu otevřené; otevírejte je méně často.
- Možná jste nechali nedovřená dvířka; zavírejte je úplně.
- V nedávné době jste do chladničky vložili velké množství teplých pokrmů. Počkejte, až chladnička nebo mraznička dosáhne požadované teploty.
- Chladnička byla nedávno zapojena. Úplné ochlazení chladničky trvá nějakou dobu.

Provozní hluk se zvyšuje, když je chladnička zapnutá.

| |
|--|
| <ul style="list-style-type: none"> • Provozní vlastnosti chladničky se mohou změnit podle výkyvů okolní teploty. Je to normální, nejde o poruchu. |
| Vibrace nebo hluk. |
| <ul style="list-style-type: none"> • Podlaha není rovná nebo je slabá. Chladnička se při pohybu kymácí. Ověřte, zda je podlaha dostatečně pevná pro chladničku a zda je rovná. • Hluk mohou způsobovat předměty vkládané na chladničku. Předměty na horní straně chladničky sejměte. |
| Ozývá se zvuk z chladničky jako rozlévání kapaliny nebo stříkání. |
| <ul style="list-style-type: none"> • Proudění kapalin a plynu se může objevit v souladu s provozními zásadami vaší chladničky. Je to normální, nejde o poruchu. |
| Ozývá se hluk jako kvílení větru. |
| <ul style="list-style-type: none"> • Jsou v provozu ventilátory pro ochlazení chladničky. Je to normální, nejde o poruchu. |
| Kondenzace na vnitřních stěnách chladničky. |
| <ul style="list-style-type: none"> • Horké a vlhké počasí zvyšuje tvorbu ledu a kondenzace. Je to normální, nejde o poruchu. • Možná zůstala nedovřená dvířka; zajistěte úplné uzavření dveří. • Dveře se mohly otevřít častěji nebo byly ponechány dlouhou dobu otevřené; otevírejte je méně často. |
| Vlhkost na vnější straně chladničky nebo mezi dveřmi. |
| <ul style="list-style-type: none"> • Ve vzduchu může být vlhkost; toto je ve vlhkém počasí poměrně normální. Po poklesu vlhkosti kondenzace zmizí. |
| Nepříjemný zápach v chladničce. |
| <ul style="list-style-type: none"> • Vnitřek chladničky je nutno vyčistit. Vyčistěte vnitřek chladničky houbičkou, vlažnou vodou nebo karbonovou vodou. • Některé nádoby či obalové materiály mohou způsobit zápach. Použijte odlišnou nádobu nebo obalový materiál jiné značky. |
| Dvířka se nezavírají. |
| <ul style="list-style-type: none"> • Zabalené potraviny mohou bránit v zavírání dveří. Vyměňte obaly, které brání v chodu dveří. • Chladnička nestojí zcela svise na podlaze a při pohybu se mírně pohupuje. Upravte seřizovací šrouby. • Podlaha není rovná či silná. Ověřte, zda je podlaha rovná a unese chladničku. |
| Příhrádky na čerstvé potraviny jsou zaseklé. |
| <ul style="list-style-type: none"> • Potraviny se možná dotýkají horní strany zásuvek. Upravte rozložení potravin v zásuvce. |

Prosím, prečítajte si najskôr túto príručku!

Vážený zákazník,

Dúfame, že váš produkt, ktorý bol vyrobený v moderných továrňach a skontrolovaný v rámci prepracovaných postupov riadenia kvality, vám bude úspešne a efektívne slúžiť.




Preto vám odporúčame, aby ste si pozorne prečítali celú túto príručku k vášmu produktu predtým, ako ho začnete používať, a ponechajte si ju poruke, aby ste si ju v prípade potreby mohli prezerat'.

Tento manuál

- Vám pomôže používať váš prístroj rýchlo a bezpečne.
 - Manuál si prečítajte pred inštaláciou a prevádzkou vášho produktu.
 - Dodržiavajte pokyny, obzvlášť tie, ktoré sa týkajú bezpečnosti.
 - Manuál si uschovajte na ľahko prístupnom mieste, pretože ho môžete neskôr potrebovať.
 - Okrem toho si prečítajte aj ostatné dokumenty dodané s vaším produktom.
- Majte na pamäti, že tento manuál platí aj pre iné modely.

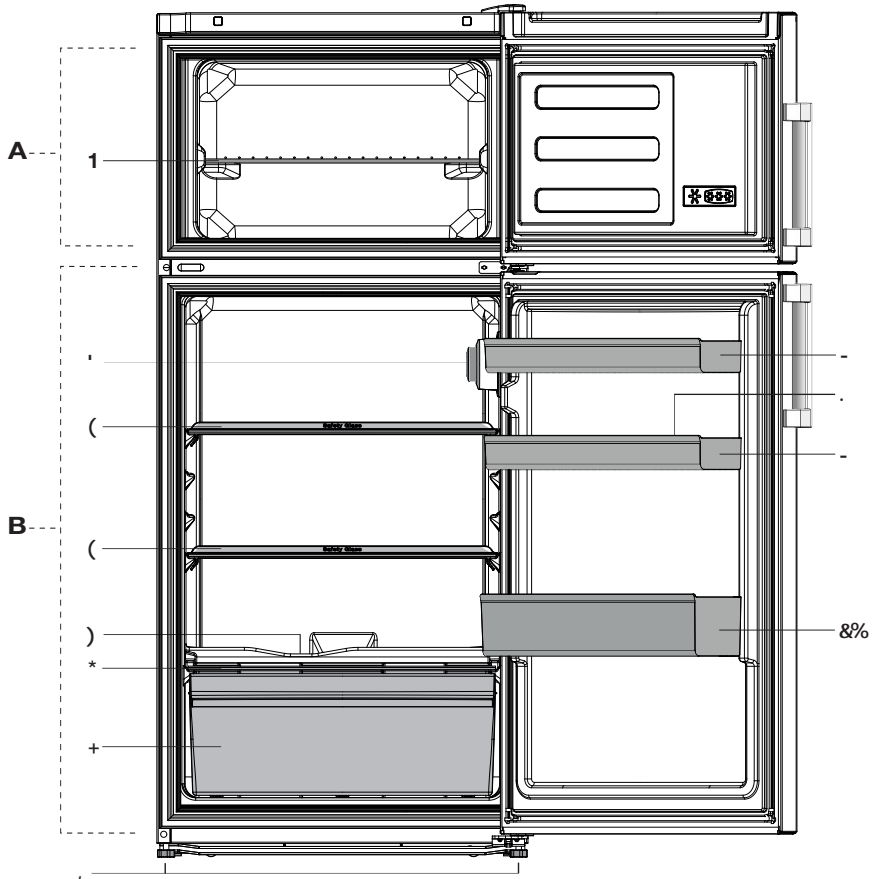
Symbole a ich popis

Tento návod na obsluhu obsahuje nasledovné symboly:

-  Dôležité informácie alebo užitočné tipy.
-  Výstraha pred ohrozením života a majetku.
-  Výstraha pred elektrickým napätím.

| | | | |
|---|----------|--|-----------|
| 1 Vaša chladnička | 3 | 4 Príprava | 11 |
| 2 Dôležité bezpečnostné výstrahy | 4 | 5 Používanie chladničky | 12 |
| Určené použitie..... | 4 | Tlačidlo nastavenia teploty | 12 |
| Všeobecná bezpečnosť..... | 4 | Rozmrazenie | 12 |
| Pri výrobkoch s dávkovačom vody | 6 | Tvorba ľadu | 13 |
| Bezpečnosť detí | 6 | Ak termostat obsahuje polohu „0“:.... | 13 |
| V súlade so smernicou o odpadoch z elektrických a elektronických zariadení a zneškodňovaní odpadov: | 6 | 6 Údržba a čistenie | 14 |
| V súlade s Obmedzením používania niektorých nebezpečných látok v elektronických a elektrických zariadeniach | 7 | Ochrana plastových povrchov | 14 |
| Informácie o balení | 7 | 7 Odporúčané riešenia problémov | 15 |
| Upozornenie HCA..... | 7 | | |
| Veci, ktoré treba urobiť pre úsporu energie | 7 | | |
| 3 Inštalácia | 8 | | |
| Body, ktoré je potrebné zvažovať pri opakovanej preprave chladničky | 8 | | |
| Pred uvedením chladničky do prevádzky | 8 | | |
| Elektrické pripojenie..... | 8 | | |
| Likvidácia obalu | 9 | | |
| Likvidácia vašej starej chladničky | 9 | | |
| Umiestnenie a inštalácia | 9 | | |
| Nastavenie nôh..... | 9 | | |
| Výmena žiarovky vnútorného osvetlenia | 9 | | |
| Obrátenie dverí | 10 | | |

1 Vaša chladnička



A- Priechinok mrazničky
 B- Priechinok chladničky

1- Polička mrazničky
 2- Termostat a kryt svetidla
 3- Poličky priechinka chladničky
 4- Kanálik pre zber rozmrazenej vody
 – odtoková rúrka
 5- Kryt priechinku na zeleninu a ovocie
 6- Priechinok na šalát

7- Nastaviteľná predná nôžka
 8- Dverové police
 9- Držiak na vajčka
 10- Polička na fľaše

i Obrázky v tejto príručke k obsluhu sú schematické a nemusia sa presne zhodovať s vaším produktom. Ak produkt, ktorý ste si zakúpili, nedisponuje uvádzanými časťami, potom sa to týka iných modelov.

2 Dôležité bezpečnostné výstrahy

Prečítajte si nasledujúce informácie. Nedodržovanie týchto informácií môže mať za následok zranenia alebo vecné škody. Všetky záručné záväzky tým strácajú platnosť.

Originálne náhradné súčiastky budú dodávané po dobu 10 rokov od kúpy výrobku.

Určené použitie

Tento výrobok je určený na použitie

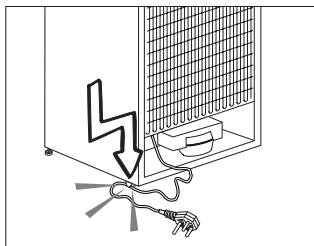
- v interiéroch a v uzatvorených oblastiach, ako napríklad v domoch,
- v uzatvorených pracovných prostrediach, ako napríklad obchody a kancelárie,
- v uzatvorených ubytovacích oblastiach, ako napríklad chalupy, hotely, penzióny.
- Tento výrobok sa nesmie používať v exteriéroch.

Všeobecná bezpečnosť

- Ak chcete vyradiť/zlikvidovať tento produkt, odporúčame vám poradiť sa s autorizovaným servisom, aby ste získali potrebné informácie o autorizovaných orgánoch zriadených na tento účel.
- Obráťte sa na autorizovaný servis so všetkými otázkami a problémami s vašou chladničkou. Nezasahujte ani nenechajte iných zasahovať do chladničky bez upozornenia autorizovaného servisu.

- Pri výrobkoch s mraziacim priechnikom nejedzte zmrzlinu v kornútoch a kocky ľadu ihneď po ich vybratí z mraziaceho priechníka! (Môžete si tým spôsobiť nepríjemný mrazivý pocit v ústach.)
- Pri výrobkoch s mraziacim priechnikom nedávajte do mraziaceho priechníka tekuté nápoje vo fľašiach a plechovkách. V opačnom prípade by mohli prasknúť.
- Mrazeného jedla sa nedotýkajte rukami; mohlo by sa k ruke prilepiť.
- Pred čistením alebo rozmrazovaním chladničku odpojte.
- Para a parové čistiace prostriedky by sa nikdy nemali používať pri čistení a odmrazovaní vašej chladničky. V takýchto prípadoch by sa para mohla dostať do kontaktu s elektrickými dielmi a spôsobiť skrat alebo zásah elektrickým prúdom.
- Nikdy nepoužívajte rôzne časti, ako napr. dvere, ako podpery alebo schodíky.
- Vo vnútri vašej chladničky nepoužívajte elektrické zariadenia.
- Časti, v ktorých cirkuluje chladivo, nepoškodzuje nástrojmi na vrtanie alebo rezanie. V prípade perforácie plynových kanálov výparníka, trubkových rozšírení alebo povrchových úprav, spôsobuje rozliaty chladiaci prostriedok podráždenie pokožky a zranenia očí.
- Neprekrývajte ani neblokujte ventilačné otvory na chladničke žiadnymi materiálmi.

- Elektrické spotrebiče musia opravovať len oprávnené osoby. Opravy vykonávané nekompetentnými osobami predstavujú riziko pre používateľa.
- V prípade zlyhania alebo počas údržby alebo opráv odpojte chladničku od elektrického rozvodu buď vypnutím príslušnej poistky alebo odpojením spotrebiča od siete.
- Pri odpájaní zásuvky neťahajte za kábel, ale potiahnite zásuvku.
- Nápoje s vysokým obsahom alkoholu umiestnite tesne vedľa seba a vertikálne.
- V chladničke neskladujte spreje s rozprašovačom, ktoré obsahujú horľavé alebo výbušné látky.
- Nepoužívajte mechanické prístroje alebo iné prostriedky na urýchľovanie rozmrazovacieho procesu iné ako tie, ktoré odporúča výrobca.
- Tento produkt nie je určený na používanie osobami s fyzickými, zmyslovými alebo duševnými poruchami alebo nepoučenými alebo neskúsenými osobami (vrátane detí), pokiaľ pri nich nie je osoba, ktorá je zodpovedná za ich bezpečnosť, alebo ktorá ich riadne poučí o používaní produktu
- Neuvádzajte do prevádzky poškodenú chladničku. Ak máte akékoľvek pochybnosti, obráťte sa na servisného zástupcu.
- Elektrická bezpečnosť vašej chladničky je zaručená len vtedy, keď je váš uzemňovací systém v zhode s týmito štandardmi.
- Vystavenie produktu pôsobeniu dažďa, snehu, slnka a vetra je nebezpečné z pohľadu elektrickej bezpečnosti.
- Pri poškodení elektrického kábla kontaktujte autorizovaný servis, aby ste zabránili ohrozeniu.
- Počas inštalácie nikdy chladničku nepripájajte do elektrickej zásuvky. V opačnom prípade vznikne riziko usmrtenia alebo vážneho zranenia.
- Táto chladnička je určená len na skladovanie potravín. Nepoužívajte ju na žiadne iné účely.
- Štítok s technickými údajmi sa nachádza na ľavej stene vo vnútri chladničky.
- Chladničku nezapájajte do elektronických systémov na úsporu energie, pretože ju môžu poškodiť.
- Ak je v chladničke modré svetlo, nepozerajte sa naň cez optické zariadenia.
- Manuálne riadené chladničky zapínajte po výpadku prúdu s odstupom najmenej 5 minút.
- Pri odovzdaní produktu inej osobe odovzdajte túto príručku k obsluhu novému vlastníkovi.
- Zabráňte poškodeniu elektrického kábla pri preprave chladničky. Prehýbanie kábla môže spôsobiť požiar. Na napájací kábel nedávajte ťažké predmety. Pri zapájaní produktu sa zástrčky nedotýkajte mokrými rukami.



- Chladničku nezapájajte, ak je zásuvka na stene uvoľnená.

- Z bezpečnostných dôvodov nestriekajte vodu priamo na vnútorné alebo vonkajšie časti produktu.
- Z dôvodu rizika požiaru a výbuchu nerozstrekujte v blízkosti chladničky horľavé materiály, ako napríklad propánový plyn a pod.
- Na chladničku neumiestňujte nádoby naplnené vodou, pretože môžu spôsobiť zásah elektrickým prúdom alebo požiar.
- Nepreťažujte chladničku nadmernými množstvami potravín. Ak je preťažená, potraviny môžu spadnúť a spôsobiť vám zranenie a poškodiť chladničku, keď otvoríte dvere. Na chladničku nikdy nedávajte predmety, pretože môžu spadnúť, keď otvoríte alebo zatvoríte dvere chladničky.
- V chladničke neuchovávajte vakcíny, lieky citlivé na teplo, vedecké materiály a pod., ktoré si vyžadujú presnú teplotu.
- Ak sa chladnička nebude dlhší čas používať, treba ju odpojiť zo siete. Možný problém s napájacím káblom môže spôsobiť požiar.
- Výbežky zástrčky by sa mali pravidelne čistiť, pretože v opačnom prípade môže dôjsť k požiaru.
- Výbežky zástrčky by sa mal pravidelne čistiť suchou handričkou, pretože v opačnom prípade môže dôjsť k požiaru.
- Keď nastaviteľné nožičky nie sú umiestnené pevne na podlahe, môže dôjsť k posunu chladničky. Správnym upevnením nastaviteľných nožičiek na podlahe možno zabrániť posúvaniu chladničky.
- Pri prenášaní chladničky ju nedržte za rukoväť na dverách. V opačnom prípade môže prasknúť.

- Ak musíte umiestniť produkt vedľa inej chladničky alebo mrazničky, vzdialenosť medzi nimi musí byť najmenej 8 cm. Inak môžu príhľadé steny strán navlhnúť.

Pri výrobkoch s dávkovačom vody

- musí byť tlak prívodu vody najmenej 1 bar. Tlak prívodu vody musí byť najviac 8 barov.
- Používajte len pitnú vodu.

Bezpečnosť detí

- Ak dvere obsahujú zámku, kľúč uchovávajte mimo dosah detí.
- Deti musia byť pod dohľadom, aby sa zabránilo ich zasahovaniu do produktu.

V súlade so smernicou o odpadoch z elektrických a elektronických zariadení a zneškodňovaní odpadov:



Tento produkt je v súlade so smernicou o odpadoch z elektrických a elektronických zariadení EÚ (2012/19/EÚ). Tento produkt obsahuje symbol triedeného odpadu pre odpadové elektrické a elektronické vybavenie (WEEE).

Tento produkt bol vyrobený z vysoko kvalitných častí a materiálov, ktoré môžu byť znovu použité a sú vhodné na recykláciu. Na konci životnosti odpad z produktu neodstraňujte s bežným odpadom z domácnosti ani s iným odpadom. Recyklujte ho v zbernom mieste určenou na recykláciu elektrického a elektronického vybavenia. Pre zistenie informácií o zberných miestach kontaktujte miestne úrady.

V súlade s Obmedzením používania niektorých nebezpečných látok v elektronických a elektrických zariadeniach

Tento produkt bol zakúpený v súlade so smernicou o odpadoch z elektrických a elektronických zariadení EÚ (2011/65/EÚ). Neobsahuje žiadne nebezpečné alebo zakázané materiály špecifikované smernicou.

Informácie o balení

Obalový materiál produktu je vyrobený z recyklovateľných materiálov v súlade s národnými predpismi o životnom prostredí. Nevyhadzujte obalové materiály spolu s odpadmi z domácnosti alebo inými odpadmi. Vezmite ho na zberné miesto označené miestnymi úradmi.

Upozornenie HCA

Chladiaci systém vášho výrobku obsahuje R600a:

Tento plyn je horľavý. Preto dajte pozor na to, aby ste nepoškodili chladiaci systém a potrubné vedenia pri používaní a preprave. V prípade poškodenia udržiavajte produkt mimo potenciálnych zdrojov plameňa, ktoré by mohli spôsobiť vznietenie produktu, a miestnosť, kde je zariadenie umiestnené, dostatočne vetrajte.

Ignorujte toto upozornenie, ak chladiaci systém vášho výrobku obsahuje R134a.

Typ plynu použitý vo výrobku je uvedený na typovom štítku, ktorý sa nachádza na ľavej stene vnútri chladničky.

Produkt nelikvidujte hodením do ohňa.

Veci, ktoré treba urobiť pre úsporu energie

- Dvere vašej chladničky nenechávajte otvorené dlhý čas.
- Do chladničky nekladajte horúce jedlá alebo nápoje.
- Chladničku neprepierajte, aby ste neblokovali prúdenie vzduchu v interiéri.
- Vašu chladničku neumiestňujte na priame slnečné svetlo alebo do blízkosti spotrebičov, ktoré produkujú teplo, ako napr. rúry na pečenie, umývačky riadu alebo radiátory.
- Dbajte na to, aby ste jedlo uchovávali v uzavretých nádobách.
- Pri výrobkoch s mraziacim priečinkom môžete v mrazičke skladovať maximálny objem potravín vtedy, keď odstránite poličku alebo priečinok mrazičky. Hodnota spotreby energie stanovená pre vašu chladničku bola stanovená tak, že sa odstránila polička alebo priečinok mrazičky a pri maximálnom vyťažení. So zreteľom na tvary a veľkosť potravín určených na zamrazenie neexistuje pri používaní police alebo zásuvky žiadne riziko.
- Rozmrazovanie mrazených potravín v priečinku chladničky zabezpečuje úsporu energie a taktiež zachováva kvalitu potravín.

3 Inštalácia

⚠ Zapamätajte si, že výrobca nie je zodpovedný za škody v prípade, ak nedodržíte pokyny v návode na použitie.

Body, ktoré je potrebné zvažovať pri opakovanej preprave chladničky

1. Vaša chladnička musí byť pred presunom prázdna a očistená.
2. Police, príslušenstvo, priehradky atď. vo vašej chladničke musia byť pred opätovným zabalením chladničky zalepené a zaistené voči otrasom.
3. Balenie musíte zaistiť hrubými páskami alebo silnými lanami a musíte dodržiavať bezpečnostné pokyny na balení.

Nezabudnite...

Každý recyklovaný materiál je nepostrádateľným zdrojom pre prírodu a národné zdroje.

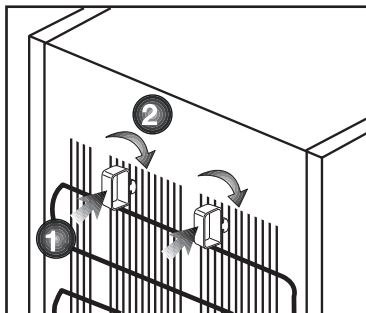
Ak by ste chceli prispieť k recyklácii obalových materiálov, informácie môžete získať u ekologických organizácií alebo na miestnych úradoch.

Pred uvedením chladničky do prevádzky

Pred začatím používania vašej chladničky skontrolujte nasledovné:

1. Je interiér chladničky suchý a môže vzduch ľahko cirkulovať v zadnej časti?
2. Vyčistíte interiér chladničky podľa odporúčania v časti „Údržba a čistenie“.
3. Chladničku pripojte do elektrickej zásuvky. Keď sa otvoria dvere chladničky, zapne sa vnútorné svetlo.

4. Budete počuť zvuk pri zapnutí kompresora. Kvapalina a plyny utesnené v chladiacom systéme môžu vydávať nejaký zvuk, bez ohľadu na to, či kompresor je alebo nie je v prevádzke. Toto je celkom normálne.
5. Predné hrany chladničky môžu byť zohriate. To je normálne. Tieto časti sú vytvorené tak, aby boli zohriate, aby sa predišlo kondenzácii.
6. 2 plastové klíny môžete namontovať tak, ako je to znázornené na obrázku. Plastové klince zaisťujú požadovanú vzdialenosť medzi chladničkou a stenou kvôli dostatočnej cirkulácii vzduchu. (Znázornený obrázok predstavuje len príklad a nezodpovedá presne vášmu produktom.)



Elektrické pripojenie

Pripojte výrobok k uzemnenej zástrčke, ktorá je chránená poistkou príslušnej kapacity.

Dôležité:

- Pripojenie musí byť v zhode s národnými predpismi.
- Elektrická zásuvka musí byť po inštalácii ľahko prístupná.
- Určené napätie musí byť rovnaké ako napätie vo vašej elektrickej sieti.
- Predlžovacie káble a rozbočky sa nesmú používať na pripojenie zariadenia.

- ⚠ Poškodený elektrický kábel musí vymeniť kvalifikovaný elektrikár.
- ⚠ Zariadenie sa nesmie prevádzkovať dovtedy, pokiaľ nebude opravené! Hrozí nebezpečenstvo zásahu elektrickým prúdom!

Likvidácia obalu

Obalový materiál môže byť nebezpečný pre deti. Obalový materiál držte mimo dosahu detí alebo ho vyhodte podľa pokynov pre likvidáciu odpadu. Neodhadzujte ho spolu s normálnym domovým odpadom. Balenie chladničky je vyrobené z recyklovateľných materiálov.

Likvidácia vašej starej chladničky

Vašu starú chladničku zlikvidujte ekologicky.

- O likvidácii vašej starej chladničky sa môžete poradiť s vašim autorizovaným predajcom alebo zberným miestom.

Pred likvidáciou vašej chladničky odrežte elektrickú zásuvku a ak sa na dverách nachádzajú nejaké zámky, znefunkčnite ich, aby ste nevystavili deti žiadnemu nebezpečenstvu.

Umiestnenie a inštalácia

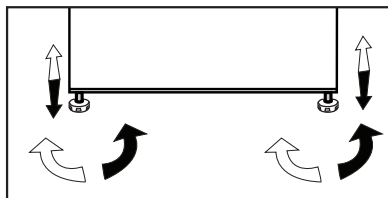
⚠ Ak vstupné dvere v miestnosti, kde bude chladnička nainštalovaná, nie sú dostatočne široké na to, aby cez ne chladnička prešla, zavolajte do autorizovaného servisu, aby odmontovali dvere vašej chladničky a bokom ju preniesli cez dvere.

1. Chladničku nainštalujte na miesto, ktoré umožňuje ľahké použitie.
2. Chladničku udržiavajte mimo dosah zdrojov tepla, vlhkých miest a priameho slnečného svetla.

3. Kvôli dosiahnutiu účinnej prevádzky musí byť v okolí chladničky dostatočné vetranie. Ak bude chladnička umiestnená vo výklenku v stene, minimálna vzdialenosť od stropu musí byť 5 cm a od steny 5 cm. Ak je podlaha pokrytá kobercami, výrobok musí byť zdvihnutý do výšky 2,5 cm od podlahy.
4. Kvôli zabráneniu hádzaniu dajte chladničku na rovnú podlahu.
5. Chladničku neuchovávajte pri teplote okolia pod 10 °C.

Nastavenie nôh

Ak je vaša chladnička nestabilná; Chladničku môžete vyvážiť otáčaním predných nôh tak, ako je to znázornené na obrázku. Keď nohu otáčate v smere čiernej šípky, roh s príslušnou nohou sa znižuje; keď nohu otáčate v opačnom smere, poloha sa zvyšuje. Pomoc inej osoby miernym prídvihnutím chladničky celý proces uľahčí.

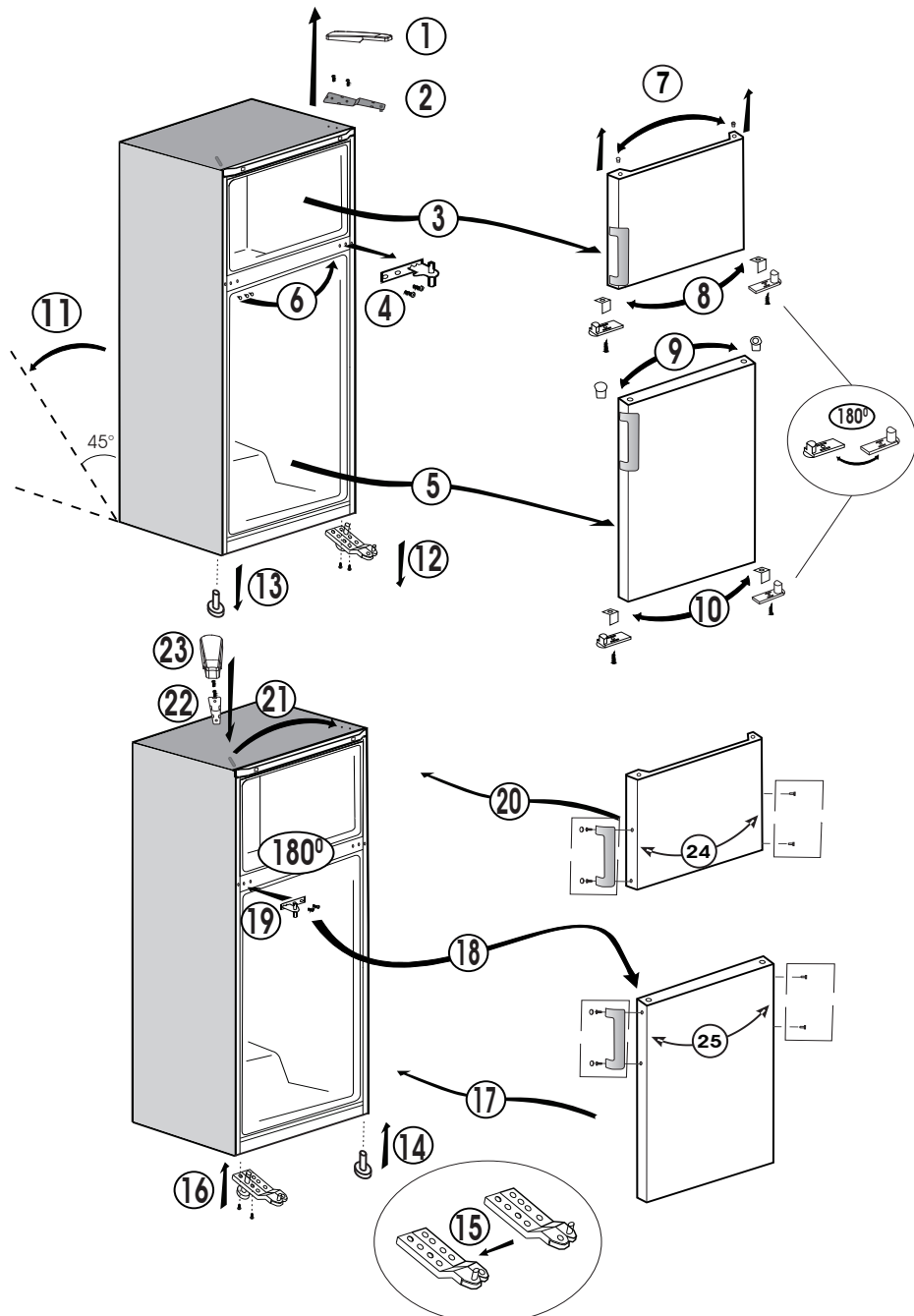


Výmena žiarovky vnútorného osvetlenia

Ak chcete vymeniť lampu použitú na osvetlenie vašej chladničky, zavolajte do autorizovaného servisu. Lampa(y) použité v tomto prístroji nie sú vhodné pre osvetlenie miestnosti domácnosti. Zamýšľaný účel tohto svietidla je pomôcť užívateľovi umiestniť potraviny do chladničky/mrazničky bezpečne a pohodlne. Žiarovky použité v tomto spotrebiči musí vydržať extrémne fyzické podmienky, napr. teploty pod -20°C.

Obrátenie dverí

Postupujte podľa číselného poradia.

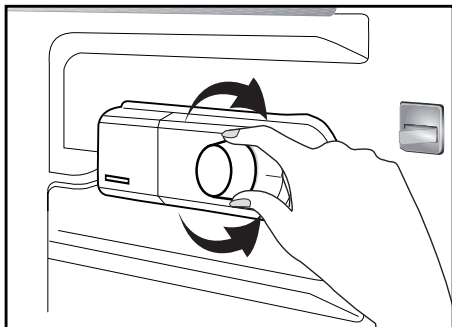


4 Príprava

- i** Vaša chladnička by mala byť umiestnená v najmenej 30 cm vzdialenosti od zdrojov tepla, ako sú horáky, rúry na pečenie, radiátory a kachle a najmenej v 5 cm vzdialenosti od elektrických rúr na pečenie a nemala by byť umiestnená na priamom slnku.
- i** Teplota prostredia v miestnosti, kde chladničku inštalujete, by mala byť aspoň 10 °C. Prevádzka chladničky v chladnejšom prostredí sa neodporúča s ohľadom na jej účinnosť.
- i** Uistite sa, že je interiér vašej chladničky dôkladne vyčistený.
- i** Ak sa budú vedľa seba inštalovať dve chladničky, mala by byť medzi nimi vzdialenosť minimálne 2 cm.
- i** Pri prvom spustení vašej chladničky počas šiestich hodín dodržujte nasledujúce pokyny.
 - Dvere by ste nemali otvárať príliš často.
 - Chladnička musí byť počas tohto času prázdna.
 - Chladničku neodpájajte od siete. Ak dôjde k výpadku napájania, ktoré nemôžete ovplyvniť, pozrite si upozornenia v časti „Odporúčané riešenia problémov“.
- i** Originálny obal a penové materiály by ste si mali odložiť za účelom budúceho transportu a prenášania.

5 Používanie chladničky

Tlačidlo nastavenia teploty



Teplota interiéru vašej chladničky sa mení z nasledovných dôvodov:

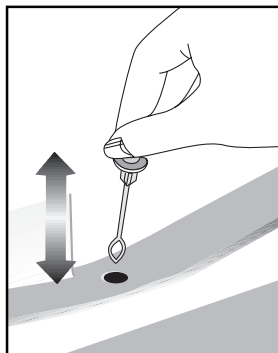
- Sezónne teploty.
- Časté otváranie dverí a dlhé ponechanie otvorených dverí.
- Vloženie jedla do chladničky skôr, ako sa schladí na izbovú teplotu.
- Umiestnenie chladničky v miestnosti (napr. vystavenie slnečnému žiareniu).
- Meniacu sa teplotu interiéru môžete kvôli týmto dôvodom nastaviť pomocou termostatu. Čísla okolo tlačítka termostatu značia stupne chladenia.
- Ak je okolitá teplota vyššia ako 32 °C, otočte tlačidlo termostatu do maximálnej polohy.
- Ak je okolitá teplota nižšia ako 25°C, otočte tlačidlo termostatu do minimálnej polohy.

Rozmrazenie

A) Priestor chladničky

Chladnička prevedie plne automatické odmrazovanie. Voda pochádzajúca z odmrazovania odtečie zo zberača vody do odparovača odkvapovou rúrou, kde sa sama odparí.

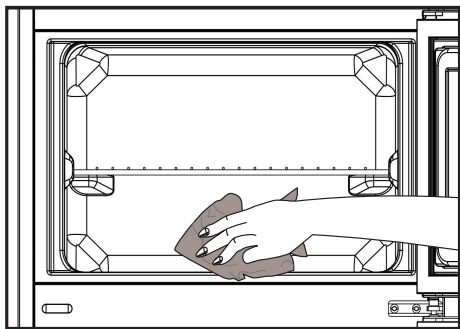
- Pravidelne kontrolujte, či nie je upchatá odkvapová rúra a v prípade potreby ju odpochajte pomocou prepichnutia.



B) Priestor mrazničky

- Hlboko mraziace oddelenie sa automaticke neodmrazuje, aby sa zabránilo zkaže zmrazeného jedla.
- Rozmrazovanie dvakrát do roka alebo keď sa vytvorila namrznutá vrstva asi 7 (1/4") mm.
- Pri začatí rozmrazovacieho postupu vypnite spotrebič zo zásuvky a vytiahnite zástrčku.
- Všetky potraviny by mali byť zabalené do niekoľkých vrstiev novín a skladované na chladnom mieste (napr. v chladničke alebo v komore).
- Nádrže teplej vody sa môžu opatrne položiť do mrazničky na urýchlenie rozmrazovania.

- Na odstránenie námrazy nepoužívajte špicaté predmety ani predmety s ostrou hranou, ako nože alebo vidličky. Na rozmrazovanie nikdy nepoužívajte sušiče vlasov, elektrické ohrievače alebo iné elektrické spotrebiče.
- Odsajte rozmrazenú vodu zhromaždenú na dne priestoru mrazničky. Po rozmrazení starostlivo osušte interiér.
- Vložte zástrčku do zásuvky v stene a zapnite dodávku elektriny.



Tvorba ľadu

Zásobník na ľad naplňte vodou a dajte ho na miesto. Ľad bude pripravený približne behom dvoch hodín.

Ľad môžete jednoducho vybrať miernym otočením zásobníka na ľad.

Ak termostat obsahuje polohu „0“:

- Prevádzka vášho produktu sa zastaví, keď tlačidlo termostatu otočíte do polohy „0“ (nula). Produkt sa nespustí, pokiaľ tlačidlo termostatu znovu neotočíte do polohy „1“ alebo do niektorej inej polohy. „0“: Ak termostat obsahuje polohu „min“:
- Produkt zastavte jeho odpojením.

6 Údržba a čistenie

- ⚠ Na čistenie nikdy nepoužívajte benzín, benzén alebo obdobné prostriedky.
- ⚠ Odporúčame vám, aby ste zariadenie pred čistením odpojili od siete.
- ⚠ Na čistenie nikdy nepoužívajte žiadne ostré a drsné predmety, mydlo, domáce čističlá, saponáty a voskové leštičlá.
- ℹ Na čistenie skrine chladničky použite vlažnú vodu a vytrite ju do sucha.
- ℹ Pomocou vlhkej handry namočenej do roztoku jednej lyžičky sódy bikarbóny v pol litri vody očistíte vnútrajšok a vytrite ho do sucha.
- ⚠ Uistite sa, že do puzdra lampy, prípadne iných elektrických súčiastok, neprenikne voda.
- ⚠ Ak sa chladničku nechystáte používať dlhšie obdobie, odpojte napájací kábel, vyberte všetky potraviny, vyčistite ju a dvere nechajte pootvorené.
- ℹ Pravidelne kontrolujte, či je tesnenie dverí čisté a zbavené odrobiniek z potravín.
- ⚠ Ak chcete odstrániť priečinky vo dverách, vyberte celý ich obsah a potom jednoducho potlačte priečinok nahor zo základne.
- ⚠ Na čistenie vonkajších povrchov a chrómovaných dielov produktu nikdy nepoužívajte čistiace prostriedky ani vodu s obsahom chlóru. Chlór spôsobuje koróziu takýchto kovových povrchov.

Ochrana plastových povrchov

- ℹ Kvapalnú oleje a vyprázané jedlá nedávajte do chladničky v otvorených nádobách, pretože poškadzujú plastové povrchy vašej chladničky. V prípade rozliatia alebo rozretia oleja na plastové povrchy okamžite vyčistite a opláchnite príslušnú časť povrchu teplou vodou.

7 Odporúčané riešenia problémov

Pred zavolaním servisu si pozrite tento zoznam. Môže vám to ušetriť čas aj peniaze. Tento zoznam obsahuje bežné sťažnosti, ktoré sa nevzťahujú na chybné spracovanie alebo využitie materiálu. Niektoré z tu popísaných funkcií nemusí váš produkt obsahovať.

Chladnička nefunguje.

- Je chladnička správne pripojená do siete? Zasuňte zásuvku do stenovej zástrčky.
- Nie je prepálená poistka, ku ktorej je pripojená chladnička, alebo hlavná poistka? Skontrolujte poistku.

Kondenzácia na bočnej stene priestoru chladničky (MULTIZÓNA, OVLÁDANIE CHLADU a FLEXI ZÓNA).

- Veľmi studené podmienky prostredia. Časté otváranie a zatváranie dverí. Veľmi vlhké podmienky prostredia. V chladničke sa nachádzajú potraviny obsahujúce kvapaliny v otvorených nádobách. Ponechanie pootvorených dverí. Prepnutie termostatu do chladnejšej polohy.
- Skrátenie doby otvorenia dverí alebo ich zriedkavejšie používanie.
- Prikrytie jedla v otvorených nádobách vhodným materiálom.
- Vlhkosť poutierajte suchou handrou a skontrolujte, či stále pretrváva.

Kompresor nie je v prevádzke

- Ochranná teplotná poistka kompresora sa vypáli počas náhleho výpadku napájania alebo pri vytiahnutí a opätovnom zastrčení zásuvky, pretože tlak chladiva v chladničke ešte nie je vyvážený. Vaša chladnička začne pracovať po približne šiestich minútach. Ak po tomto čase chladnička nezačne fungovať, zavolajte servis.
- Chladnička je v odmrazovacom cykle. Pre plne automatickú rozmrazovaciu chladničku je to normálne. Cyklus odmrazovania sa vykonáva pravidelne.
- Chladnička nie je pripojená do siete. Ubezpečte sa, že ste zástrčku správne vložili do zásuvky.
- Sú správne vykonané nastavenia teploty?
- Napájanie je možno prerušené.

Chladnička pracuje príliš často alebo príliš dlhý čas.

- Váš nový produkt môže byť širší ako predchádzajúci. To je úplne normálne. Veľké chladničky pracujú dlhší čas.
- Okolitá teplota môže byť vysoká. To je úplne normálne.
- Chladnička mohla byť zapnutá len nedávno alebo mohlo byť do nej vložené jedlo. Kompletne vychladenie chladničky môže trvať o niekoľko hodín dlhšie.
- Do chladničky mohlo byť len nedávno vložené väčšie množstvo teplého jedla. Teplé jedlo spôsobuje dlhší chod chladničky, kým sa nedosiahne bezpečná teplota skladovania.
- Dvere mohli byť často otvárané alebo ponechané po dlhý čas v pootvorenom stave. Teplý vzduch, ktorý prenikol do chladničky, spôsobuje, že chladnička pracuje dlhší čas. Dvere otvárajte menej často.
- Oddelenie mrazničky alebo chladničky mohlo byť ponechané pootvorené. Skontrolujte, či sú dvere tesne zatvorené.
- Teplota v chladničke je nastavená na veľmi nízku hodnotu. Nastavte teplotu v chladničke na vyššiu a vyčkajte, kým je táto teplota dosiahnutá.
- Tesnenie dverí chladničky alebo mrazničky môže byť zanesené špinou, opotrebované, poškodené alebo nesprávne nasadené. Vyčistite alebo vymeňte tesnenie. Poškodené tesnenie spôsobuje, že chladnička pracuje dlhšiu dobu, aby udržala požadovanú teplotu.

Teplota mrazničky je veľmi nízka, zatiaľ čo teplota chladničky je dostatočná.

- Teplota v mrazničke je nastavená na veľmi nízku hodnotu. Nastavte teplotu v mrazničke na vyššiu a skontrolujte.

Teplota chladničky je veľmi nízka, zatiaľ čo teplota mrazničky je dostatočná.

- Teplota v chladničke je možno nastavená na veľmi nízku teplotu. Nastavte teplotu v chladničke na vyššiu a skontrolujte.

Jedlo uložené v spodných zásuvkách chladničky je zmrazené.

- Teplota v chladničke je možno nastavená na veľmi nízku teplotu. Nastavte teplotu v chladničke na vyššiu a skontrolujte.

Teplota v chladničke alebo mrazničke je príliš vysoká.

- Teplota v chladničke je možno nastavená na veľmi vysokú hodnotu. Nastavenia chladničky vplyvajú na teplotu v mrazničke. Zmeňte teplotu chladničky alebo mrazničky, pokiaľ sa tieto teploty nedostanú na adekvátnu úroveň.
- Dvere mohli byť často otvárané alebo ponechané po dlhý čas v pootvorenom stave - otvárajte ich menej často.
- Dvere ste možno nechali pootvorené - dvere úplne zatvorte.
- Do chladničky ste možno nedávno vložili väčšie množstvo teplého jedla. Počkajte, kým mraznička alebo chladnička dosiahnu požadovanú teplotu.
- Chladnička mohla byť pripojená do siete len nedávno. Úplné ochladenie chladničky nejaký čas trvá.

Prevádzkový hluk sa zvyšuje, keď chladnička pracuje.

| |
|--|
| <ul style="list-style-type: none"> • Prevádzkový výkon chladničky sa môže meniť podľa zmeny teploty okolia. Je to úplne normálne a neznamená to poruchu. |
| Otrasy alebo hluk. |
| <ul style="list-style-type: none"> • Podlaha nie je rovná alebo nie je pevná. Chladnička sa trasie pri pomalom pohybe. Skontrolujte, či podlaha dokáže uniesť hmotnosť chladničky a či je rovná. • Hluk môže byť spôsobený predmetmi položenými na chladničke. Odstráňte predmety na vrchu chladničky. |
| Z chladničky vychádzajú zvuky ako rozliatie alebo rozstrekovanie kvapaliny. |
| <ul style="list-style-type: none"> • Tok kvapaliny a plynu sa uskutočňuje podľa prevádzkových princípov. Je to úplne normálne a neznamená to poruchu. |
| Chladnička vydáva zvuky ako fúkanie vetra. |
| <ul style="list-style-type: none"> • Na ochladenie chladničky sa používajú ventilátory. Je to úplne normálne a neznamená to poruchu. |
| Kondenzácia na vnútorných stenách chladničky. |
| <ul style="list-style-type: none"> • Horúce a vlhké počasie zvyšuje namrazovanie a kondenzáciu. Je to úplne normálne a neznamená to poruchu. • Dvere ste možno nechali pootvorené - zabezpečte sa, že ste dvere úplne zatvorili. • Dvere mohli byť často otvárané alebo ponechané po dlhý čas v pootvorenom stave - otvárajte ich menej často. |
| Na vonkajšej strane chladničky alebo medzi dverami sa tvorí vlhkosť. |
| <ul style="list-style-type: none"> • Vo vzduchu sa môže nachádzať vlhkosť - je to celkom bežné pri vlhkom počasí. Pri nižšej vlhkosti sa kondenzácia stratí. |
| Vo vnútri chladničky je nepríjemný zápach. |
| <ul style="list-style-type: none"> • Musíte vyčistiť interiér chladničky. Interiér chladničky vyčistíte špongiou, vlažnou vodou alebo perlivou vodou. • Zápach môžu spôsobovať niektoré nádoby alebo obalové materiály. Použite odlišnú nádobu alebo odlišnú značku baliaceho materiálu. |
| Dvere sa nezatvárajú. |
| <ul style="list-style-type: none"> • Obaly potravín môžu brániť zatvoreniu dverí. Odstráňte obaly, ktoré bránia v ceste dverám. • Chladnička nie je na podlahe v úplne zvislej polohe a pri miernom pohybe sa kolíše. Nastavte elevačné skrutky. • Podlaha nie je rovná alebo dostatočne pevná. Skontrolujte, či je podlaha rovná a či dokáže uniesť hmotnosť chladničky. |
| Špeciálne priehradky sú zaseknuté. |
| <ul style="list-style-type: none"> • Jedlo sa môže dotýkať vrchnej strany zásuvky. Znovu usporiadajte jedlo v zásuvke. |

4578336256/AA
EN-PL-CZ-SK